



US00D331380S

# United States Patent [19]

[11] Patent Number: Des. 331,380

Craddock

[45] Date of Patent: \*\* Dec. 1, 1992

- [54] **MAGNETIC NAIL PICK UP UNIT FOR A VEHICLE FRONT BUMPER**
- [76] Inventor: **Russell Craddock**, 111 Braintree Ct., Cary, N.C. 27513-3151
- [\*\*] Term: **14 Years**
- [21] Appl. No.: **518,859**
- [22] Filed: **May 4, 1990**
- [52] U.S. Cl. .... **D12/155**
- [58] Field of Search ..... 104/279; 293/117; D12/155; 172/833; 335/291; D15/28

- 4,414,522 11/1983 Rybak .
- 4,530,028 7/1985 Metz .
- 4,600,964 7/1986 Ela .

*Primary Examiner*—Bernard Ansher  
*Assistant Examiner*—Philip Hyder  
*Attorney, Agent, or Firm*—Terry M. Gernstein

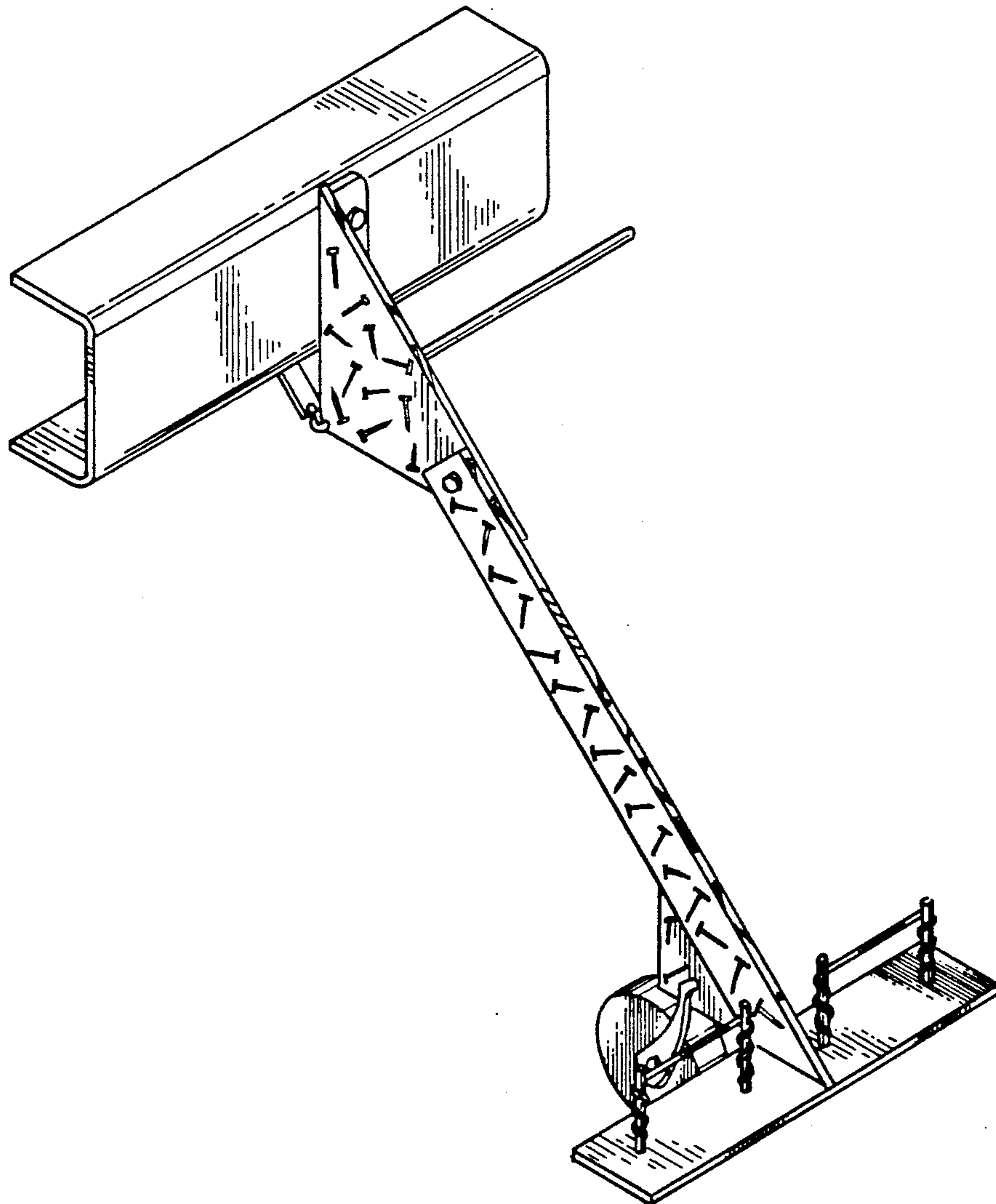
### [57] CLAIM

The ornamental design for a magnetic nail pick up unit for a vehicle front bumper, as shown and described.

### DESCRIPTION

FIG. 1 is a perspective view of a magnetic nail pick up unit for a vehicle front bumper showing my new design; FIG. 2 is a front elevational view thereof; FIG. 3 is a rear elevational view thereof; FIG. 4 is a right side elevational view thereof; FIG. 5 is a left side elevational view thereof; FIG. 6 is a top plan view thereof; and, FIG. 7 is a bottom plan view thereof.

- [56] **References Cited**
- U.S. PATENT DOCUMENTS**
- 931,885 8/1909 Powel et al. .... 335/291
- 2,623,310 12/1952 Raught ..... 172/833
- 2,722,064 11/1955 Jaffe et al. .... 172/833
- 3,391,025 7/1968 Foxx et al. .... 104/279
- 3,401,365 9/1968 Grader et al. .... 104/279



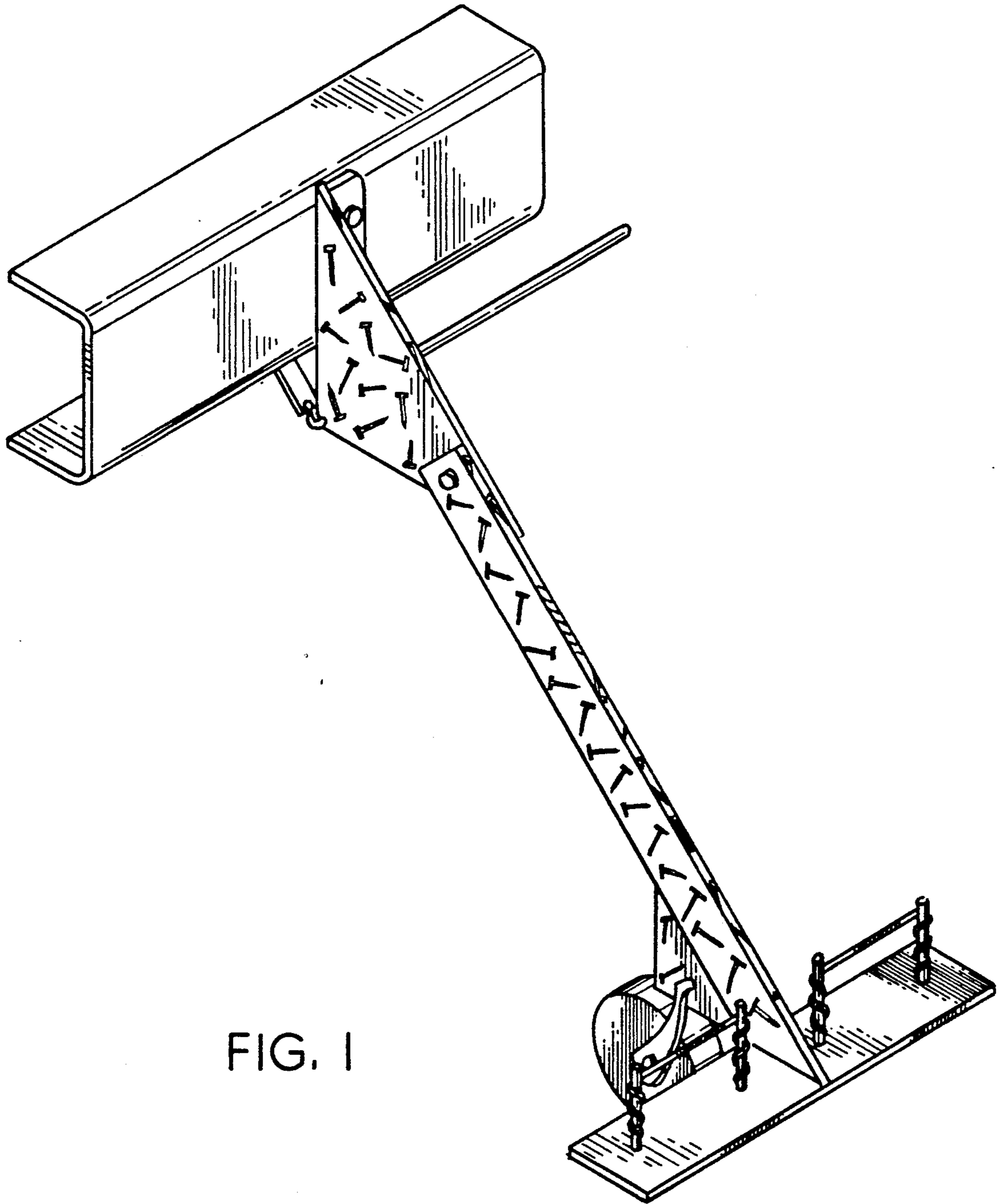


FIG. 1

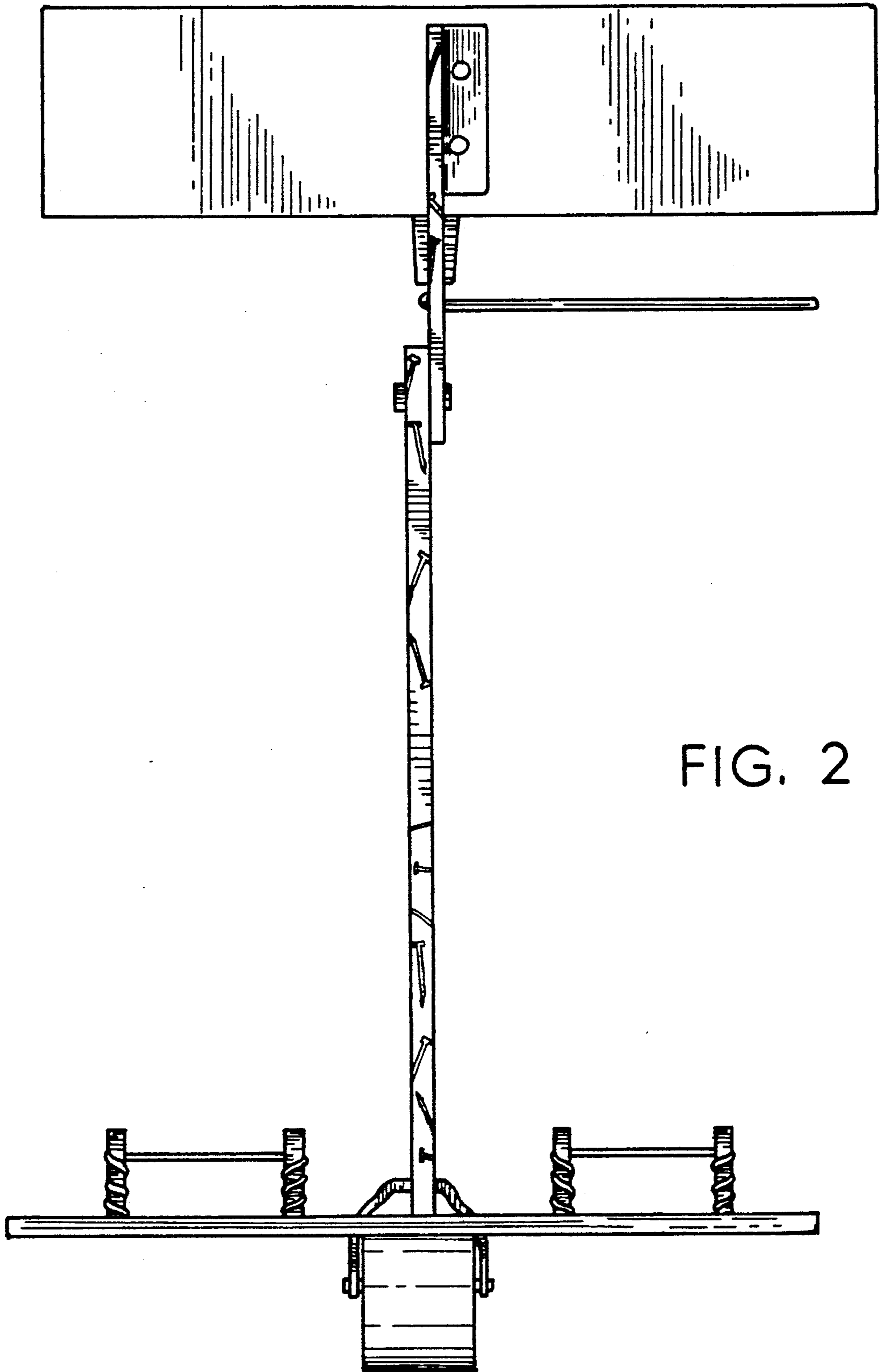


FIG. 2

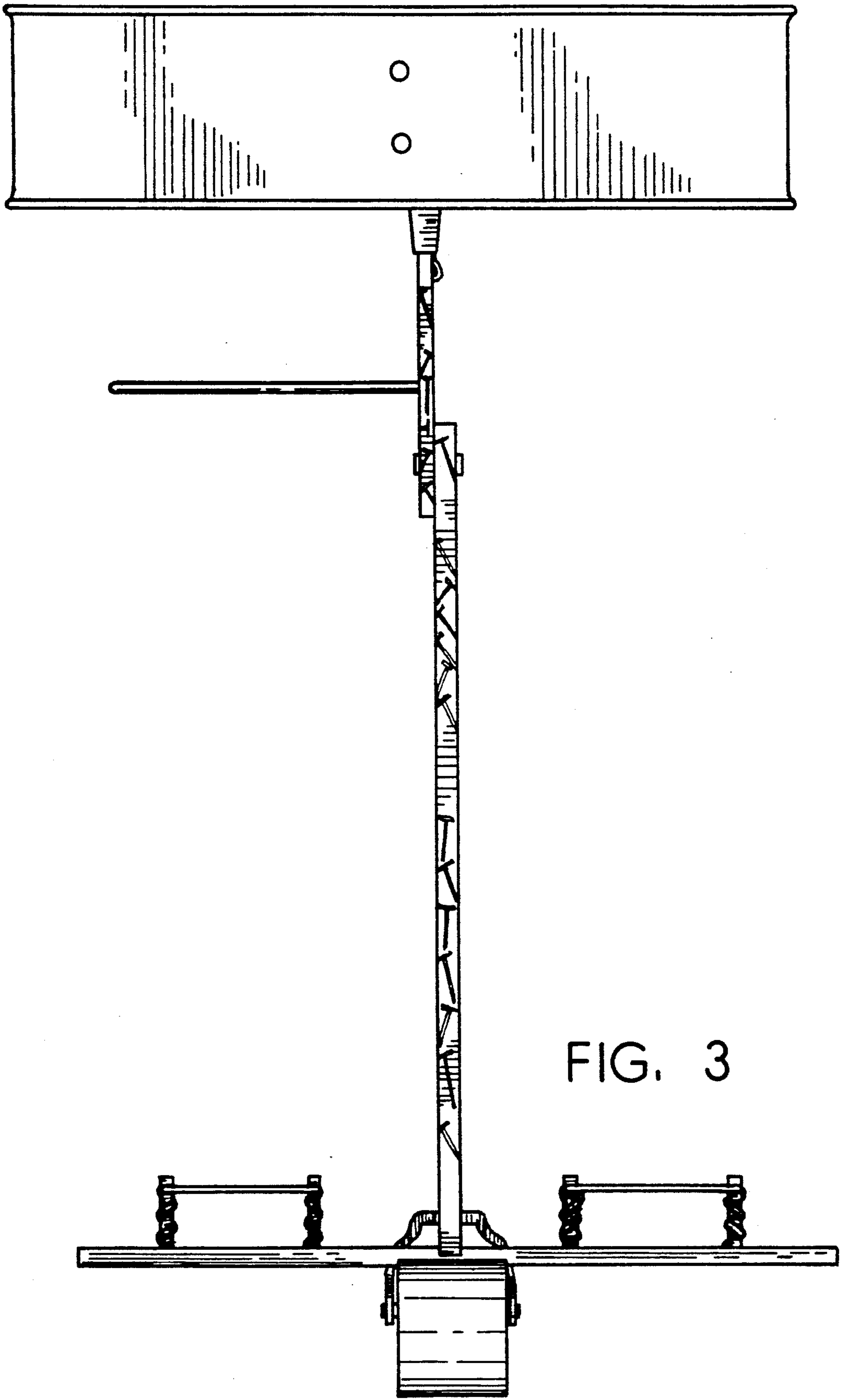


FIG. 3

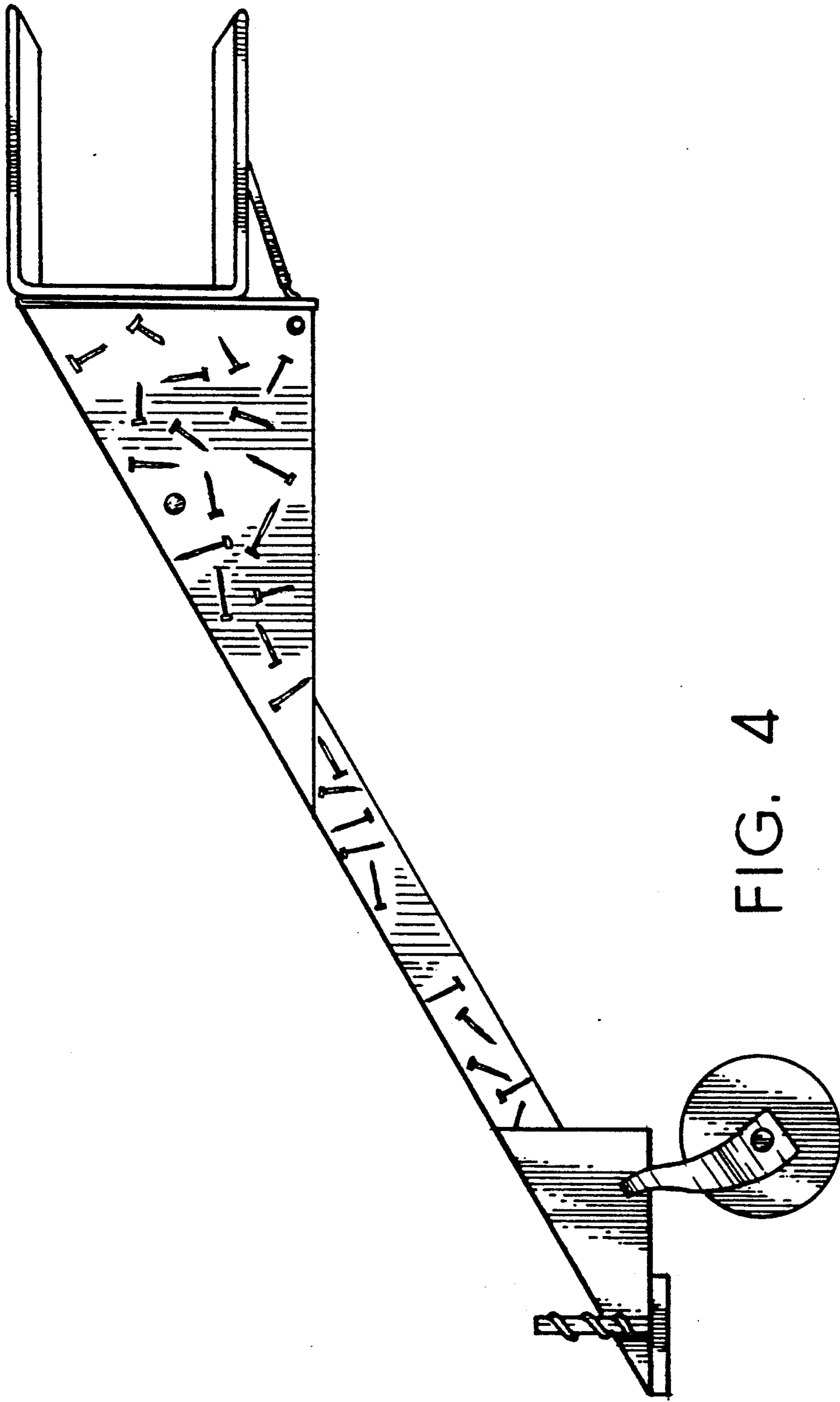


FIG. 4

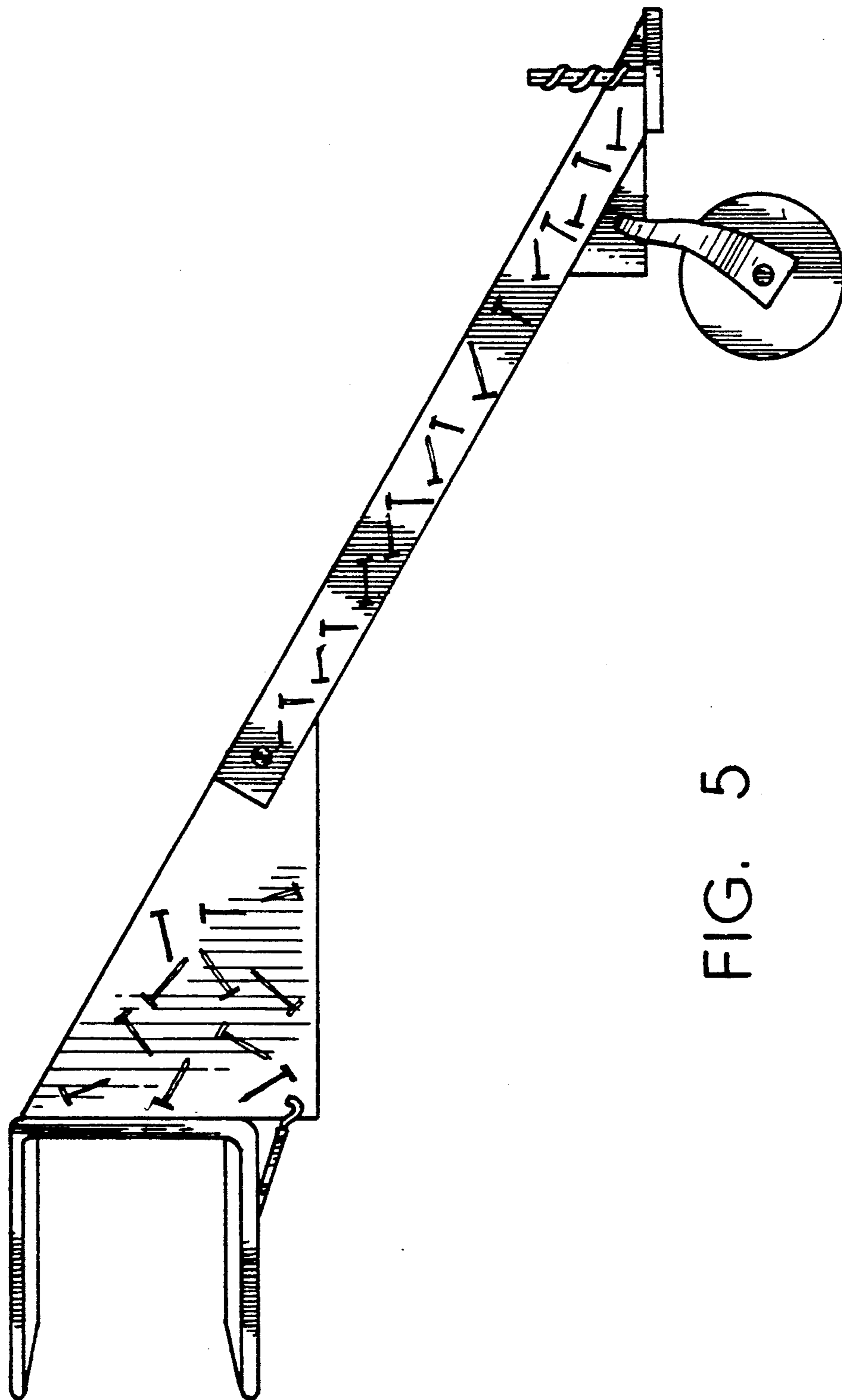


FIG. 5

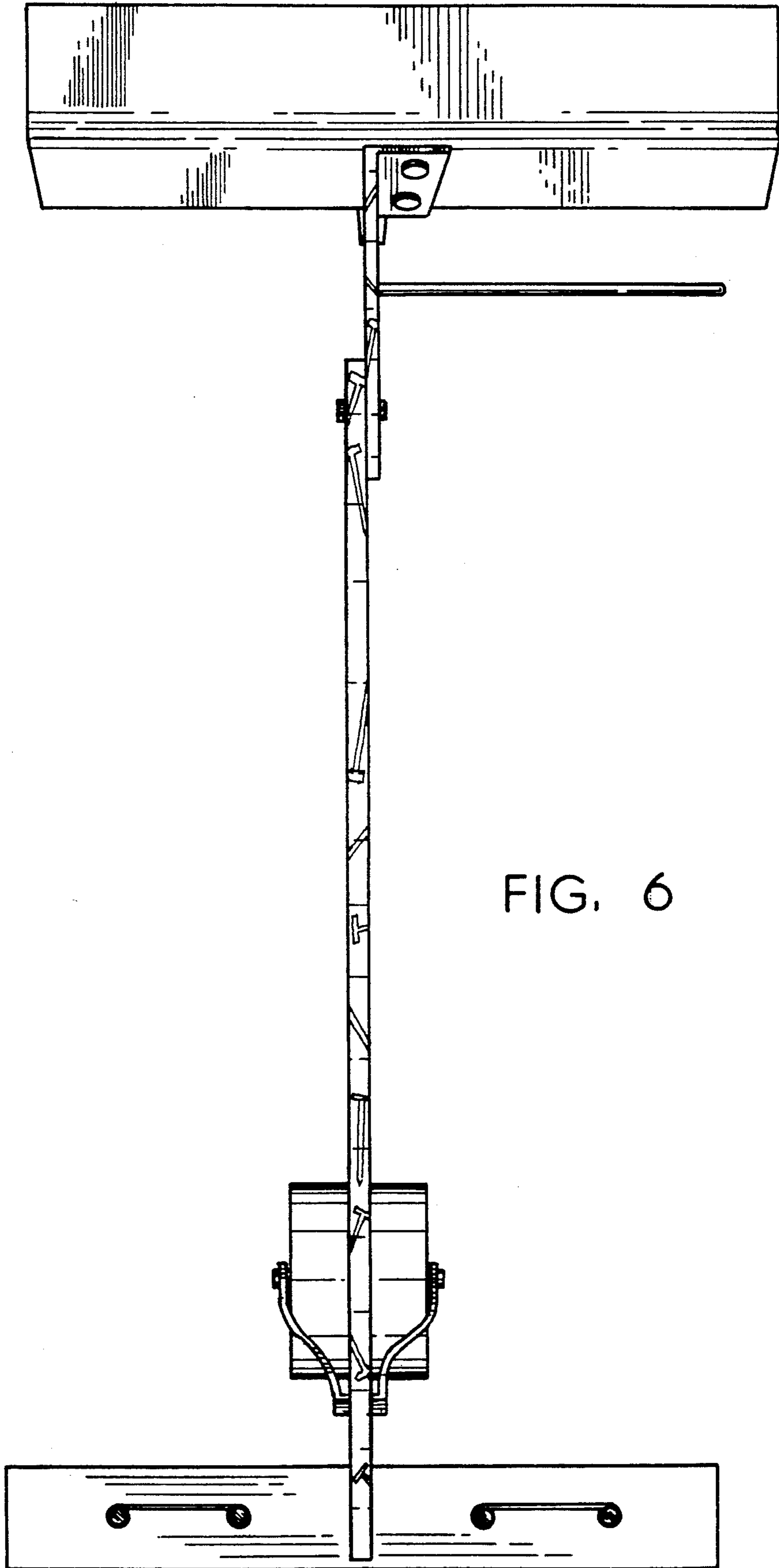


FIG. 6

