



US00D331376S

United States Patent [19]

Sewell

[11] Patent Number: **Des. 331,376**

[45] Date of Patent: **** Dec. 1, 1992**

[54] BICYCLE

[76] Inventor: **Scott D. Sewell**, 4532 S. Hiemlock,
Wichita, Kans. 67216

[**] Term: **14 Years**

[21] Appl. No.: **655,956**

[22] Filed: **Feb. 15, 1991**

[52] U.S. Cl. **D12/111**

[58] Field of Search **D12/111; 280/281.1,
280/288.1, 288.2, 288.3, 284**

[56] **References Cited**

U.S. PATENT DOCUMENTS

D. 283,606 4/1986 Moulton **D12/111**

OTHER PUBLICATIONS

American Bicyclist & Motorcyclist, Dec. 1990, p. 39,
The Head Model 800 Bicycle.

Offroad Proflex Brochure, ©1990 p. 3, the Proflex
Offroad Bicycle.

West Coast Cycle Brochure, ©1990, pp. 1 & 2, the
Kishiki Alien ACX & Ariel Bicycles.

Primary Examiner—Wallace R. Burke

Assistant Examiner—Melody Brown

Attorney, Agent, or Firm—Leon Gilden

[57] **CLAIM**

The ornamental design for a bicycle, as shown.

DESCRIPTION

FIG. 1 is a front elevational view of the bicycle show-
ing my new design;

FIG. 2 is a rear elevational view thereof;

FIG. 3 is a left side elevational view thereof;

FIG. 4 is a right side elevational view thereof;

FIG. 5 is a top plan view thereof; and,

FIG. 6 is a bottom plan view thereof.

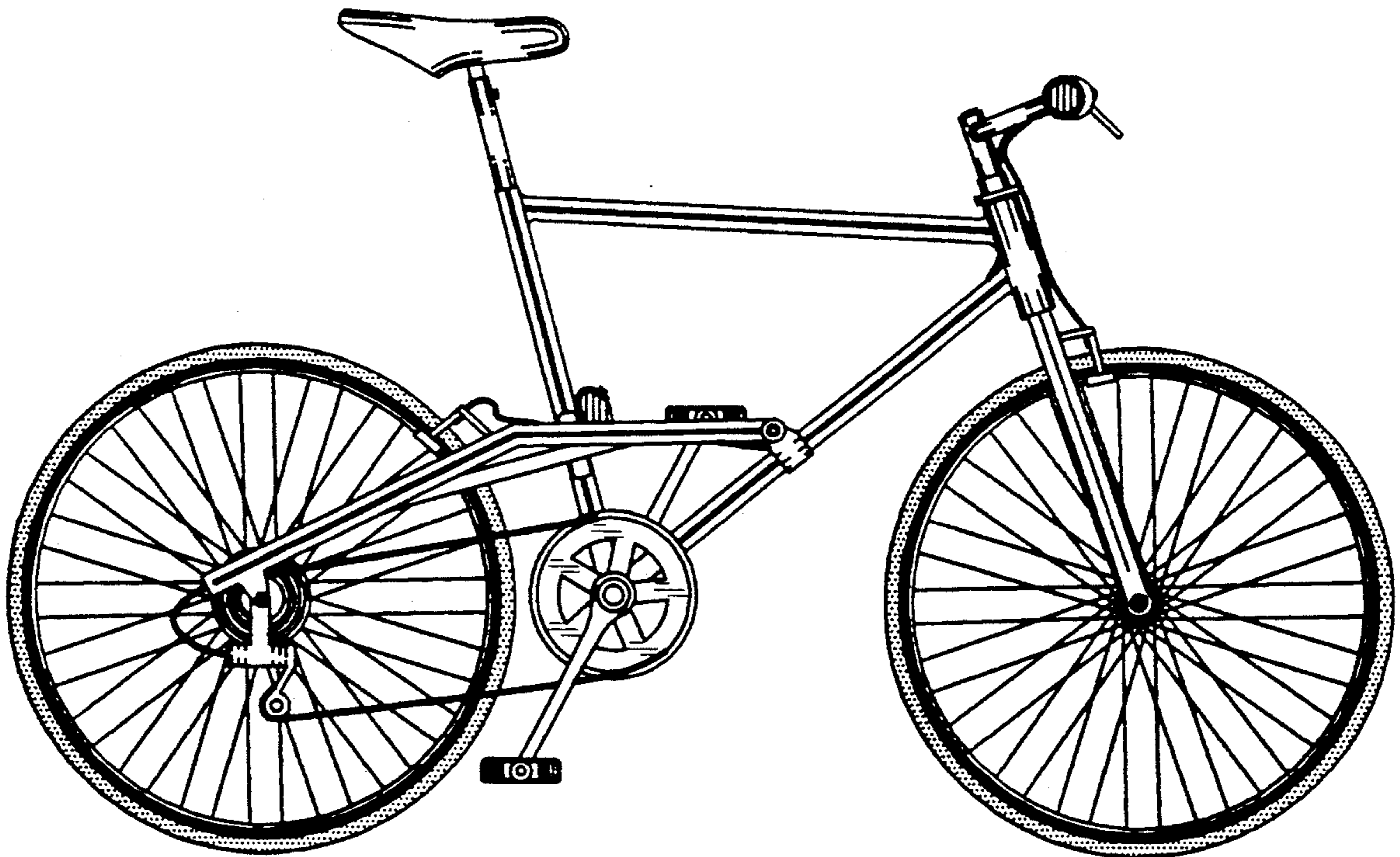


FIG. 1

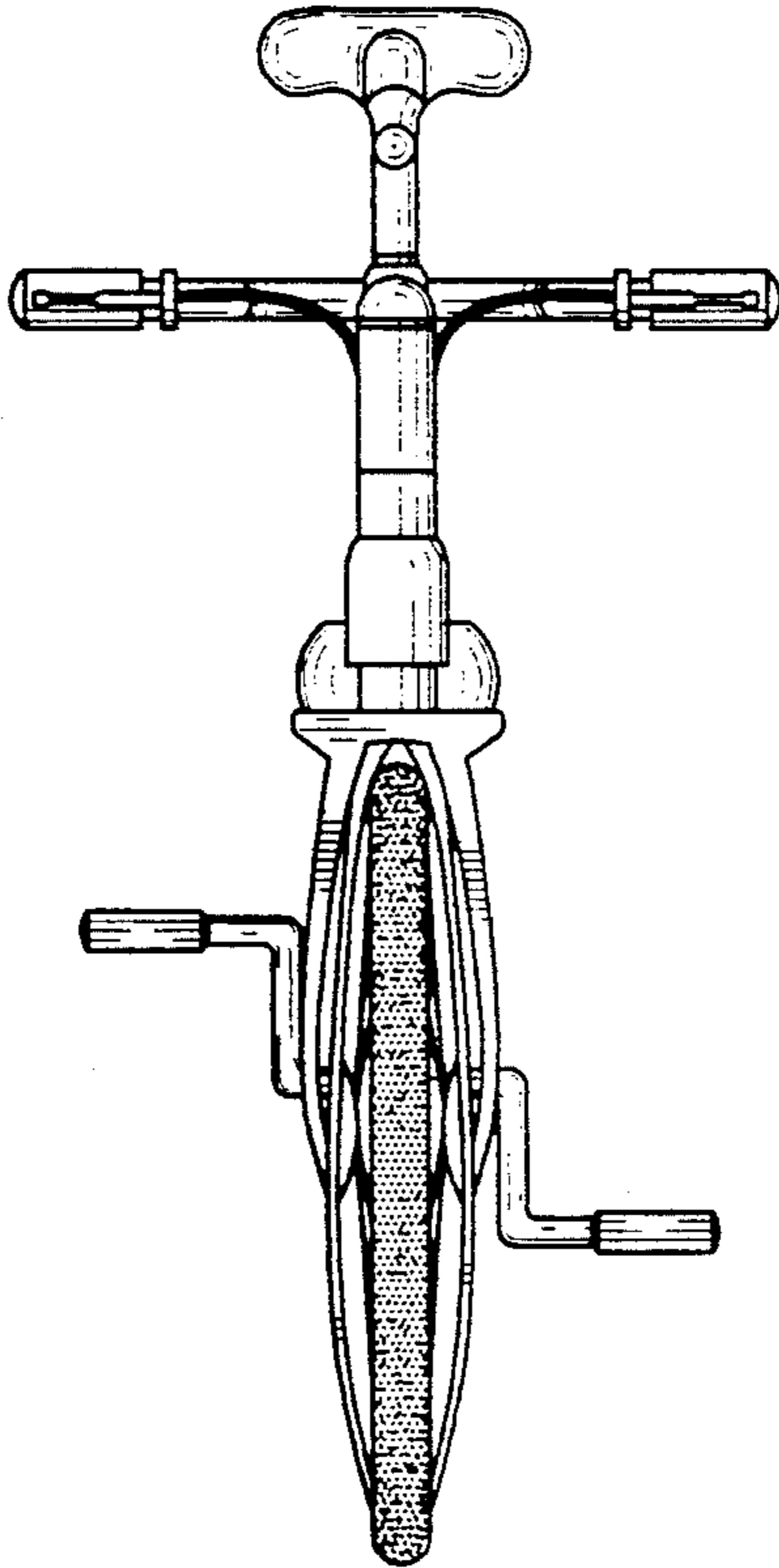


FIG. 2

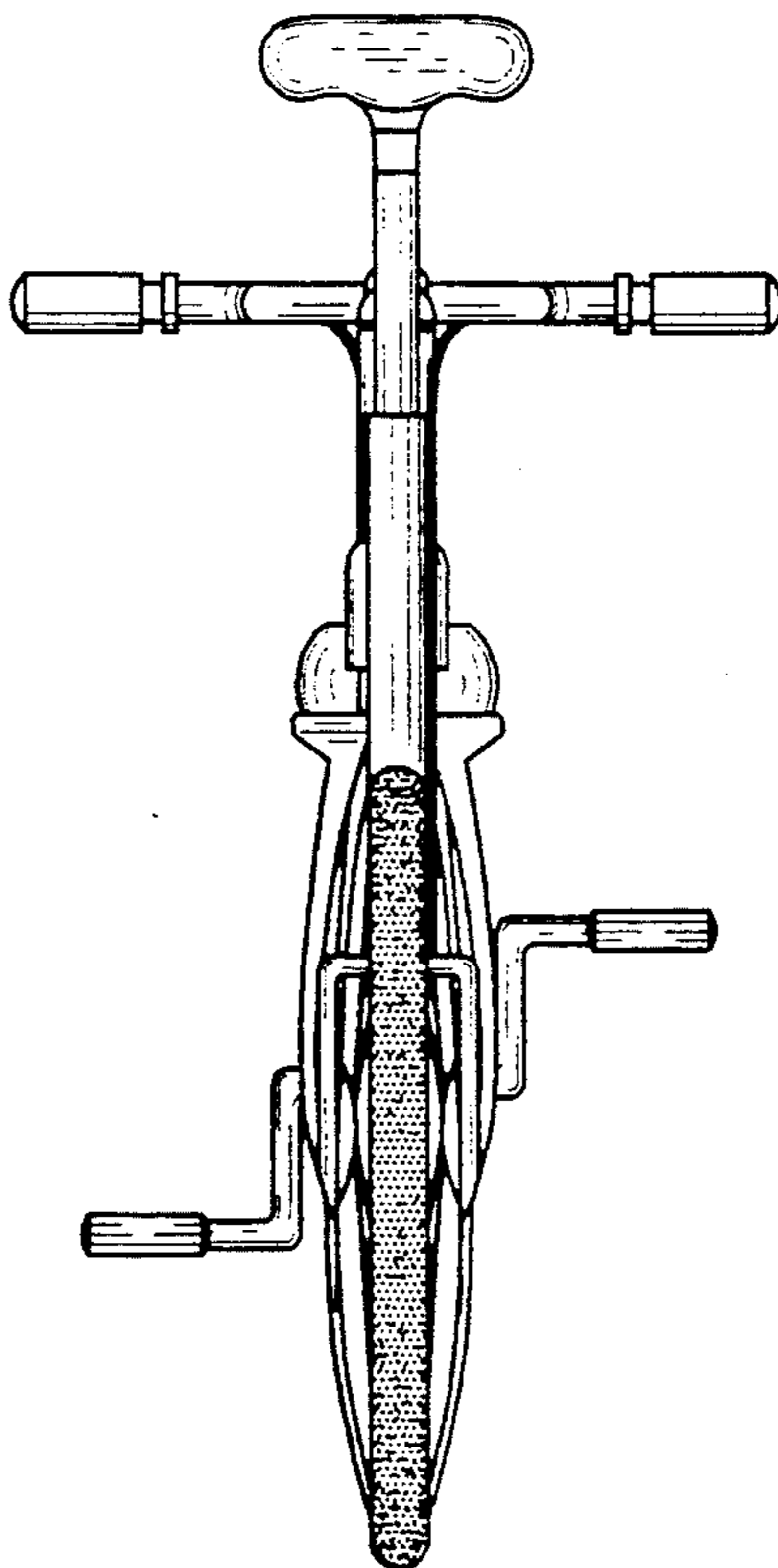


FIG. 3

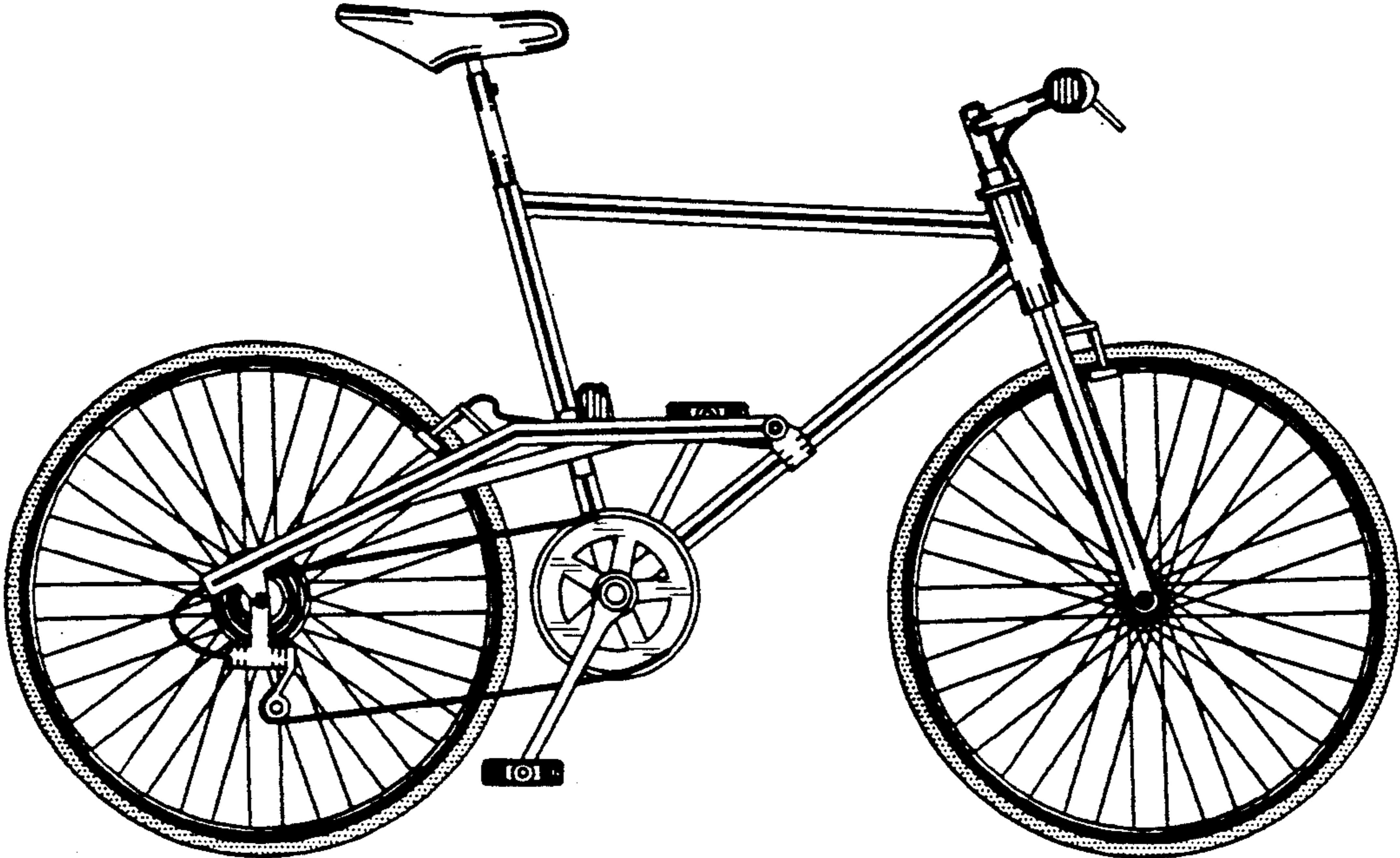


FIG. 4

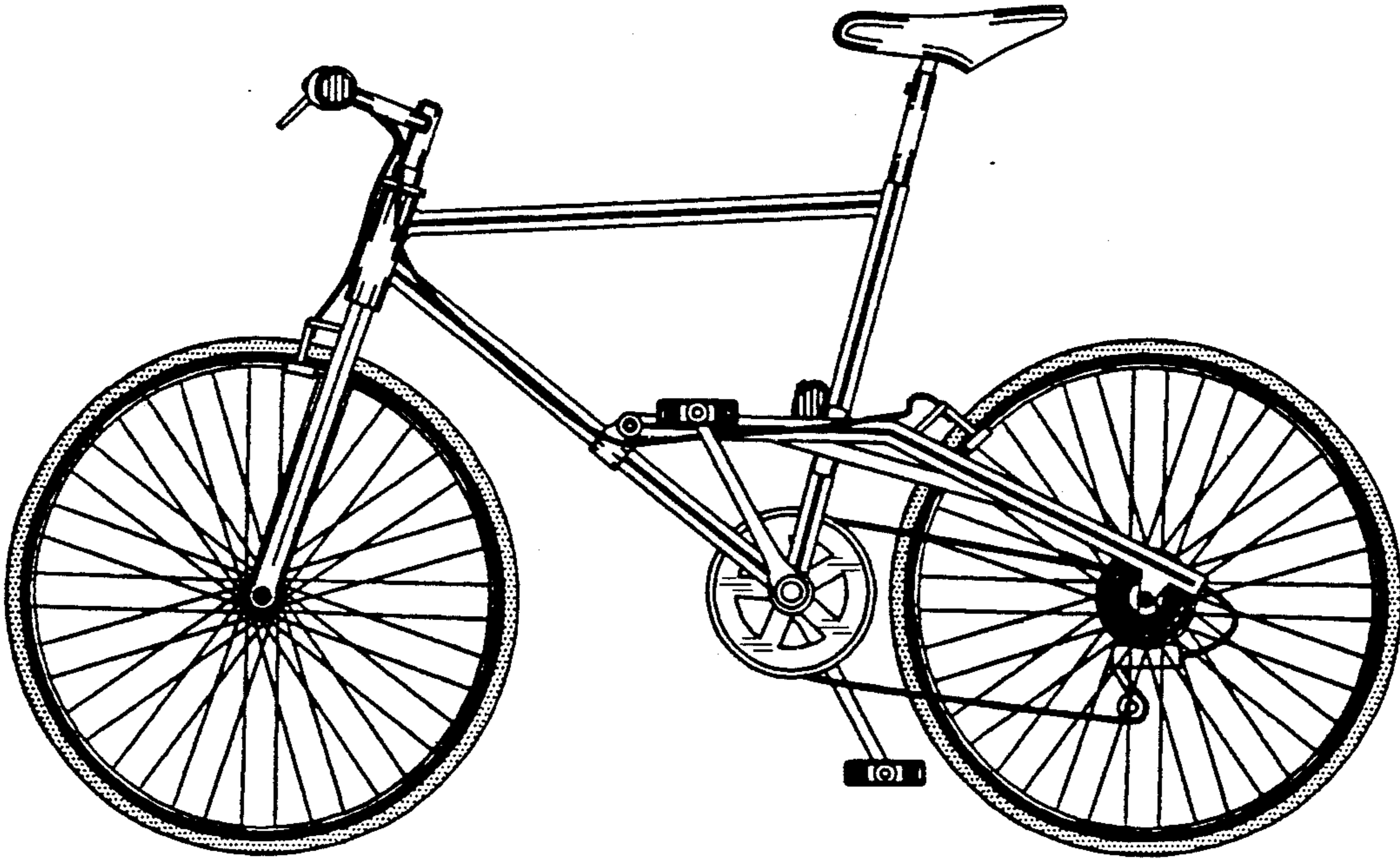


FIG. 5

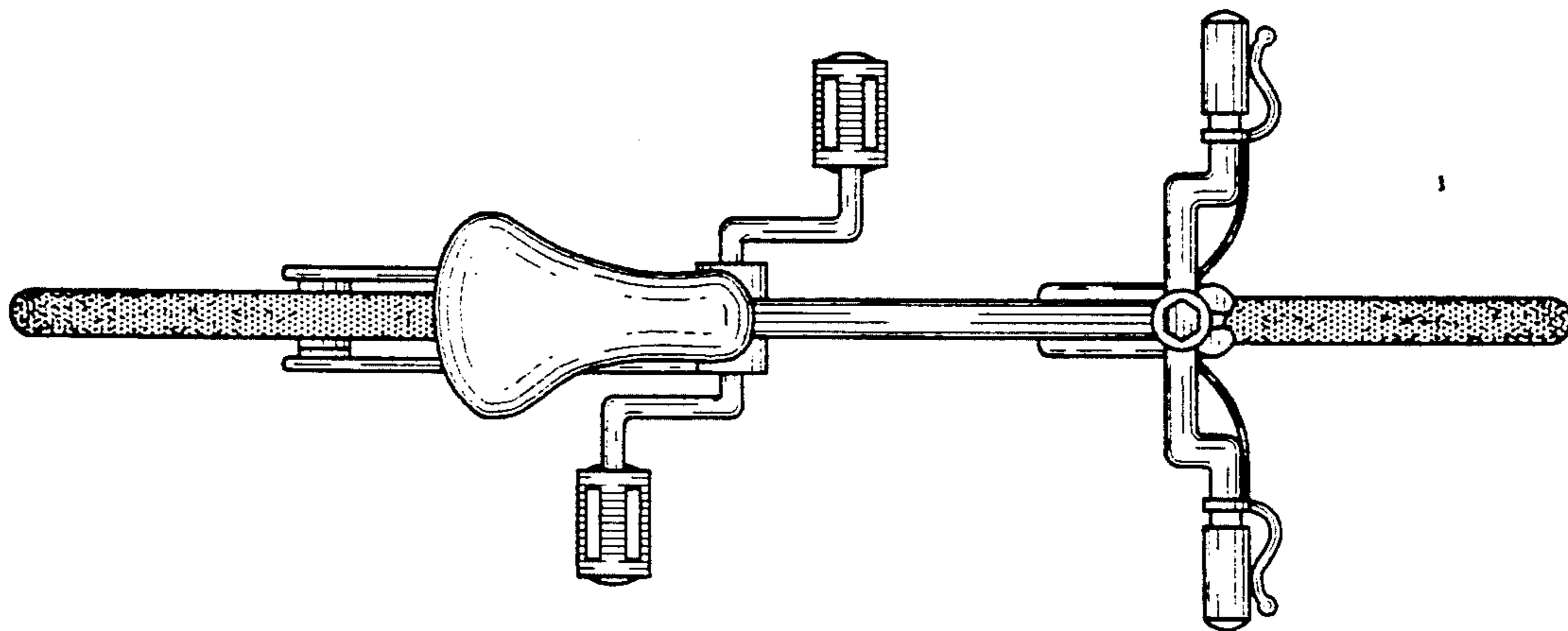


FIG. 6

