



US00D331365S

United States Patent [19]

[11] Patent Number: **Des. 331,365**

Davis

[45] Date of Patent: **** Dec. 1, 1992**

[54] **DISPENSING HEAD**

[56] **References Cited**

[75] Inventor: **Ian P. Davis**, Norwich, Great Britain

U.S. PATENT DOCUMENTS

[73] Assignee: **Lawson Mardon Group (UK) Limited**,
United Kingdom

D. 125,632	3/1941	Chapman	D7/300.1
D. 180,461	6/1957	Rodriguez et al.	D7/300.1
D. 204,909	5/1966	Russell	D9/447 X
D. 213,489	3/1969	Foxell	D7/300.1
2,092,596	9/1937	Ward	D7/300.1 X
4,694,975	9/1987	Hogan	215/4 X

[**] Term: **14 Years**

Primary Examiner—Bernard Ansher
Assistant Examiner—Dominic Simone
Attorney, Agent, or Firm—Laff, Whitesel, Conte & Saret

[21] Appl. No.: **617,512**

[57] **CLAIM**

[22] Filed: **Nov. 19, 1990**

The ornamental design for a dispensing head, as shown.

[30] **Foreign Application Priority Data**

DESCRIPTION

May 25, 1990 [GB] United Kingdom D2007117
[52] U.S. Cl. **D9/447**; D7/300.1
[58] Field of Search D9/434, 435, 447;
D7/300.1; 222/1, 402.13, 402.25, 464, 545, 630,
632, 635; 215/227

FIG. 1 is a top rear perspective view of a dispensing head showing my new design;
FIG. 2 is a front elevational view thereof; and,
FIG. 3 is a left side elevational view thereof, the right side being a mirror image.

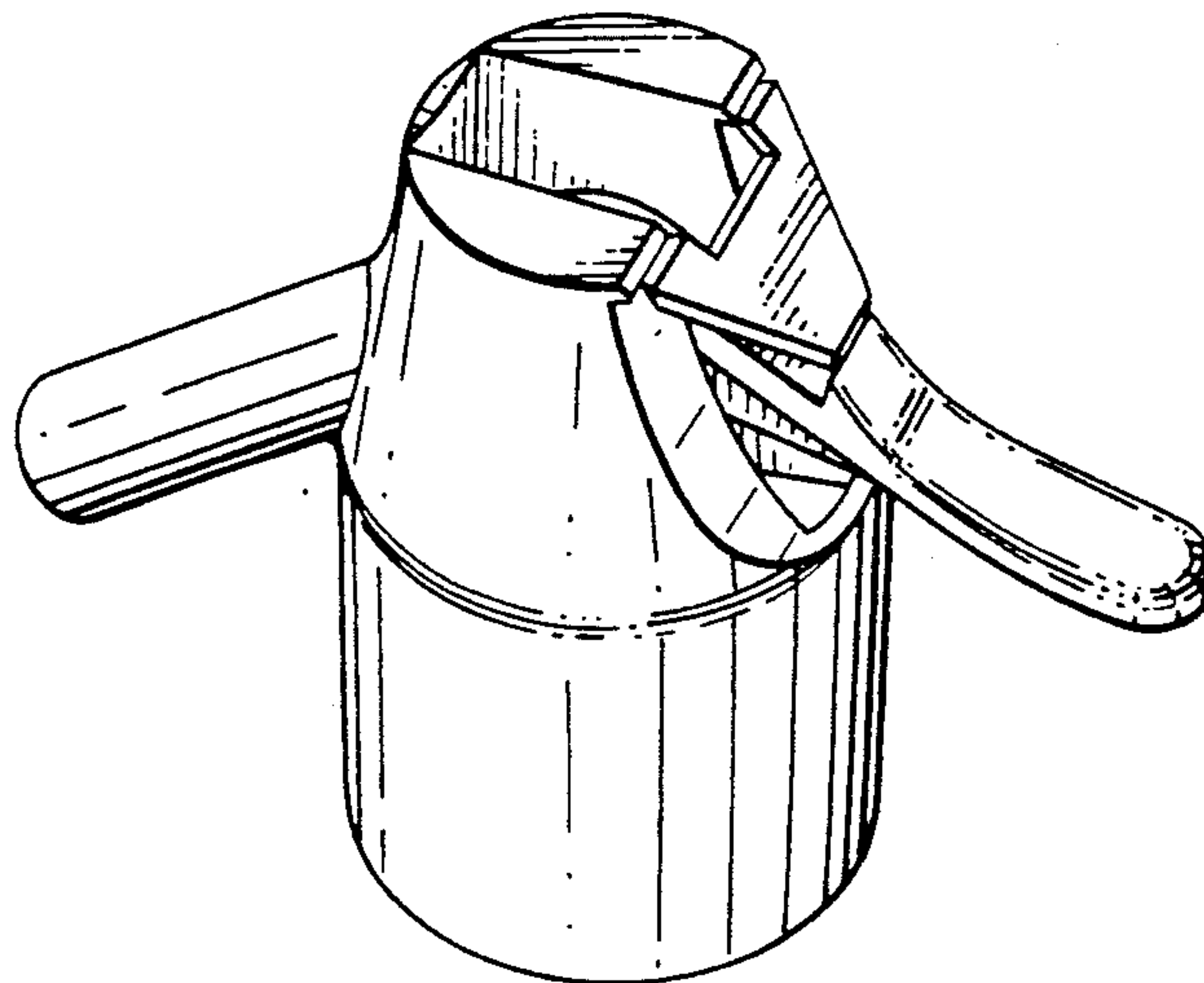


FIG.1.

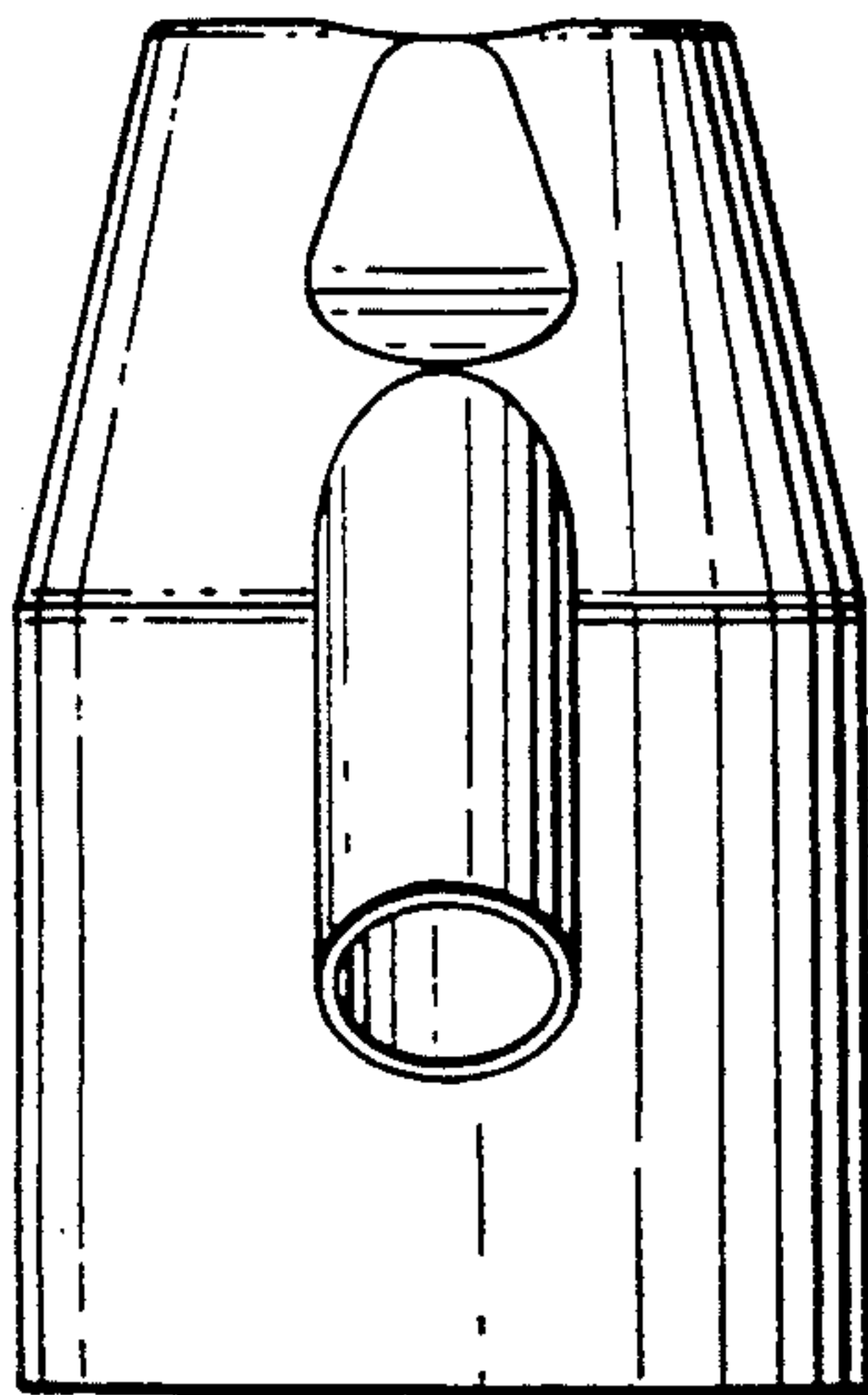
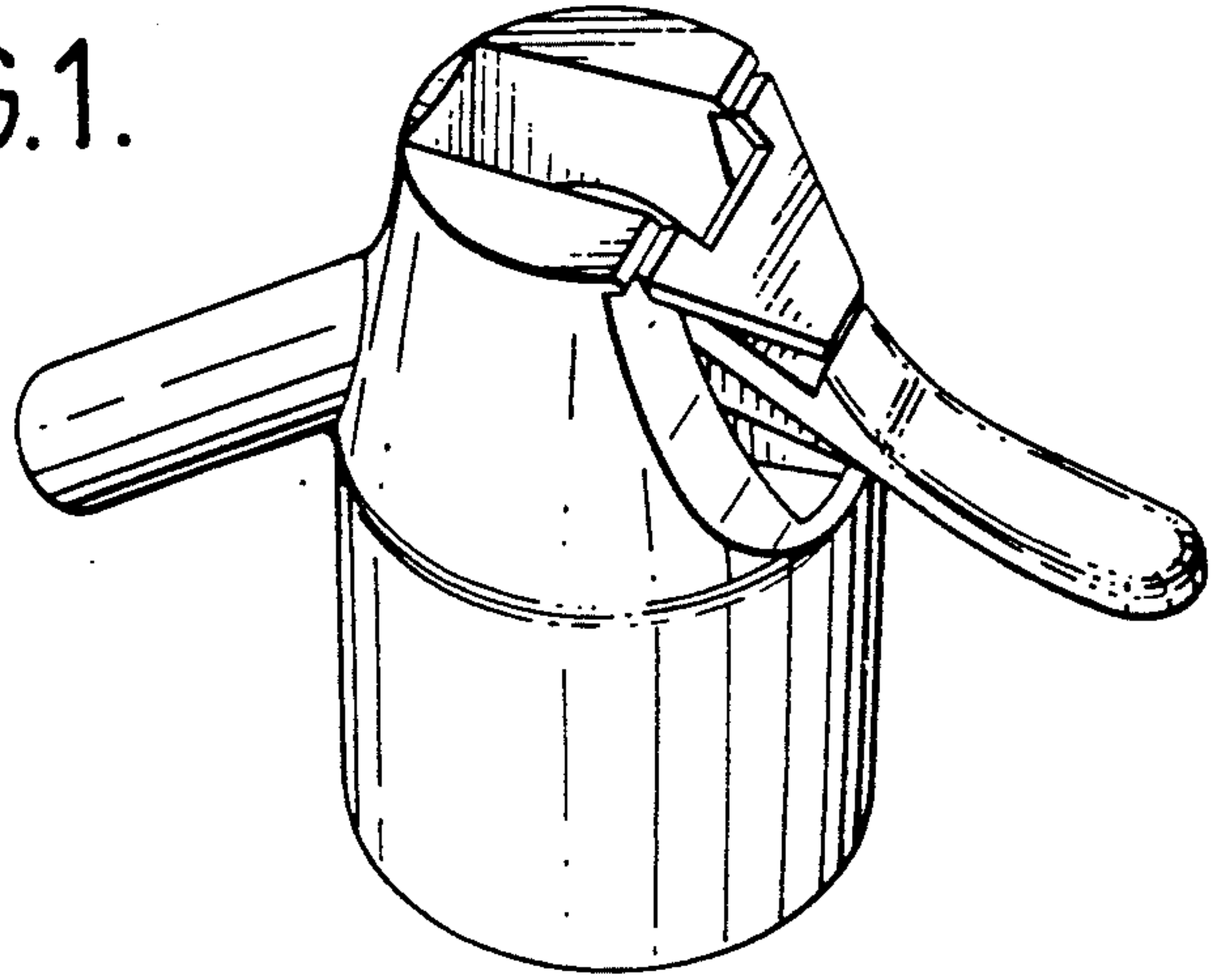


FIG.2.

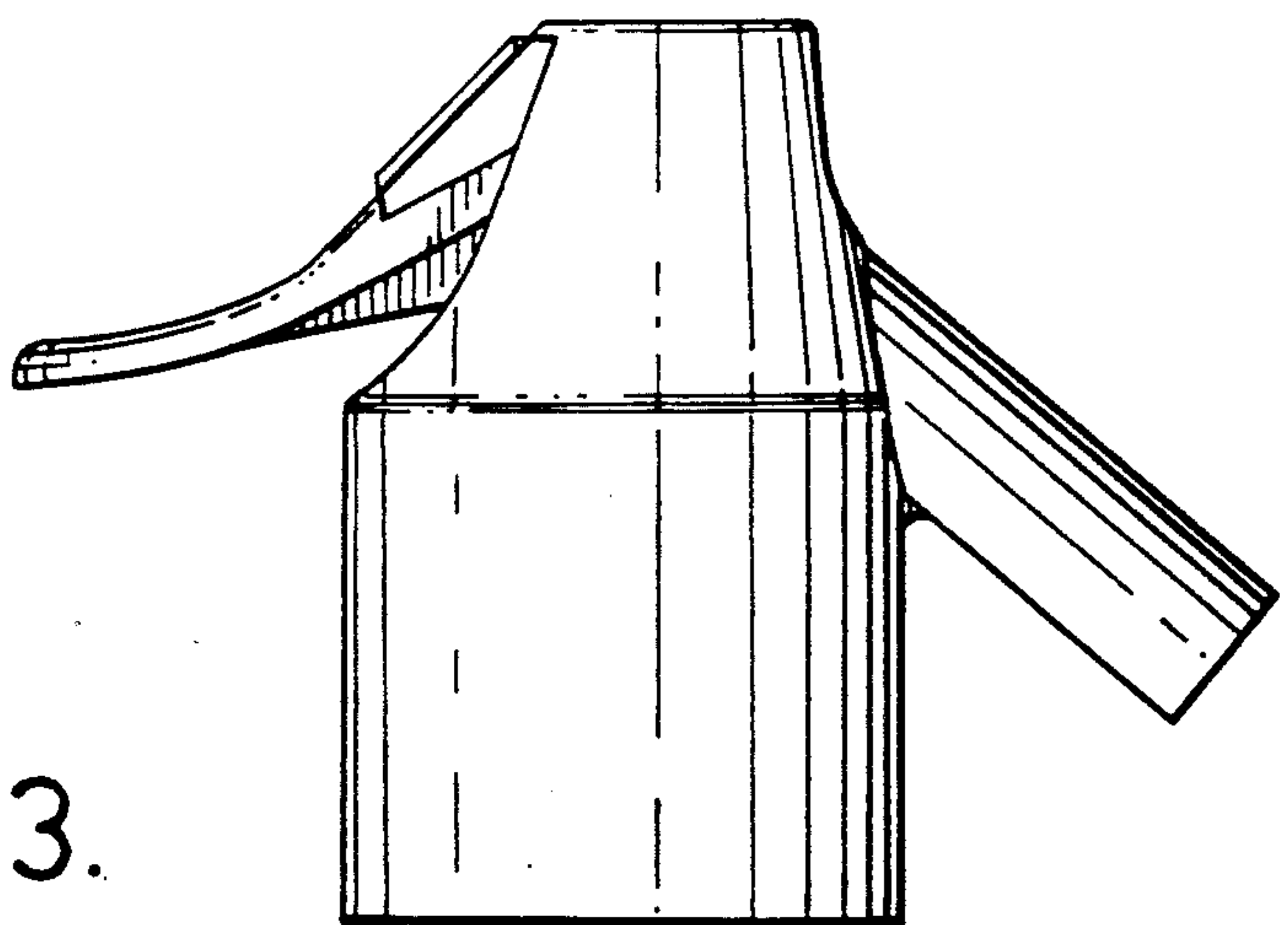


FIG.3.