



US00D331354S

United States Patent [19]

Stern et al.

[11] Patent Number: **Des. 331,354**

[45] Date of Patent: **** Dec. 1, 1992**

[54] **DRY WALL TAPE APPLICATOR**

[75] Inventors: **Donald J. Stern; Jeff S. Heaton**, both of Bellingham; **James A. Tryon**, Seattle, all of Wash.

[73] Assignee: **DJS&T Limited Partnership**, Bellingham, Wash.

[**] Term: **14 Years**

[21] Appl. No.: **490,993**

[22] Filed: **Mar. 7, 1990**

[52] U.S. Cl. **D8/45; D19/67**

[58] Field of Search **D8/45, 51; D19/67, 68, D19/69; 225/56, 59, 89**

D. 310,687	9/1990	Berracasa	D19/67
2,741,220	4/1956	Belisle	D19/69
2,989,025	6/1961	Chaffee	225/56
3,969,180	7/1976	Ravesloot	225/89

OTHER PUBLICATIONS

Goldblatt Tools Cat., 1981, p. 66, Automatic Tape Banjo.

Primary Examiner—Bernard Ansher

Assistant Examiner—Philip Hyder

Attorney, Agent, or Firm—Hughes & Multer

[57] **CLAIM**

The ornamental design for a drywall tape applicator, as shown and described.

DESCRIPTION

FIG. 1 is a perspective view of dry wall tape applicator showing my new design;

FIG. 2 is a front elevational view thereof;

FIG. 3 is a top plan view thereof;

FIG. 4 is a left side elevational view thereof;

FIG. 5 is a right side elevational view thereof;

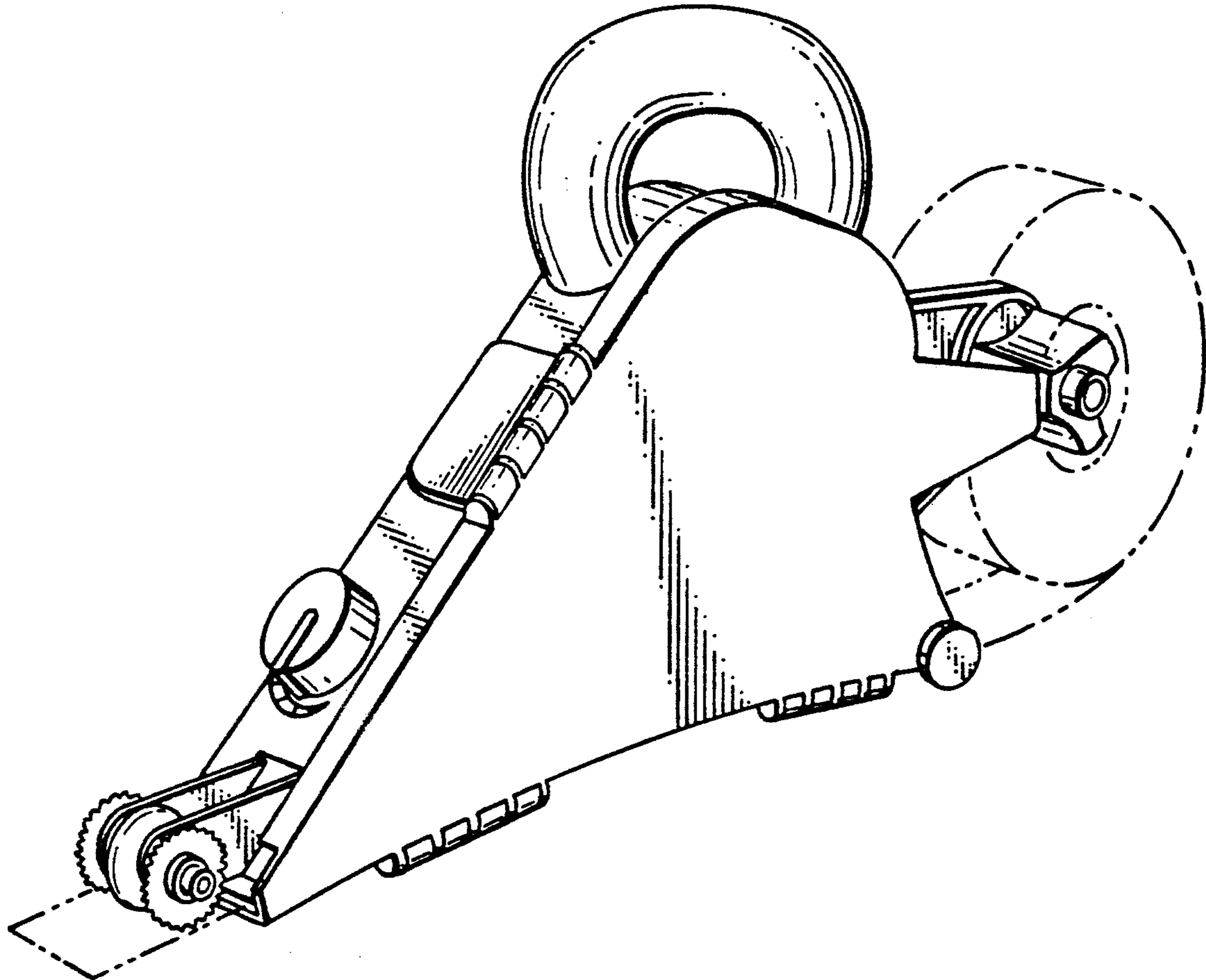
FIG. 6 is a rear elevational view thereof; and,

FIG. 7 is a bottom plan view thereof.

[56] **References Cited**

U.S. PATENT DOCUMENTS

D. 211,615	7/1968	Stephens	D19/68
D. 227,810	7/1973	Boyce	D8/51
D. 239,620	4/1976	Fritzinger	D19/69
D. 245,914	9/1977	Fritzinger	D19/69
D. 280,738	9/1985	Grassi	D19/68
D. 283,631	4/1986	Miller et al.	D19/69
D. 298,339	11/1988	Eisenberg et al.	D19/67



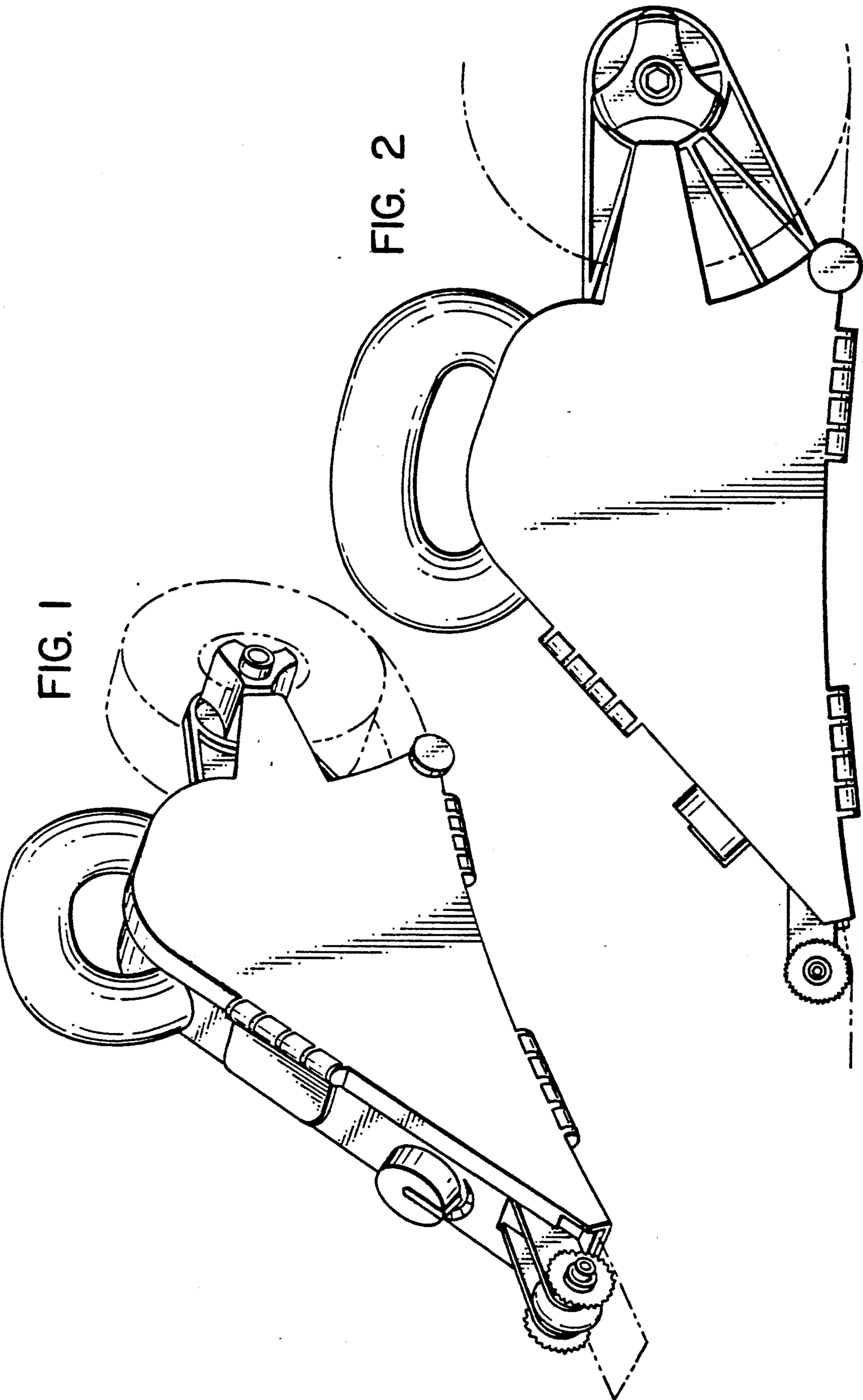


FIG. 1

FIG. 2

FIG. 3

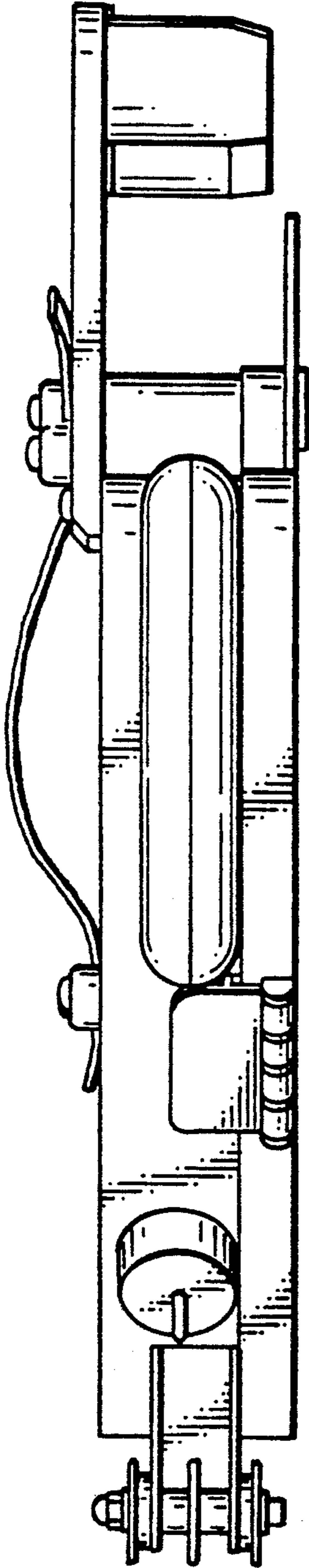


FIG. 5

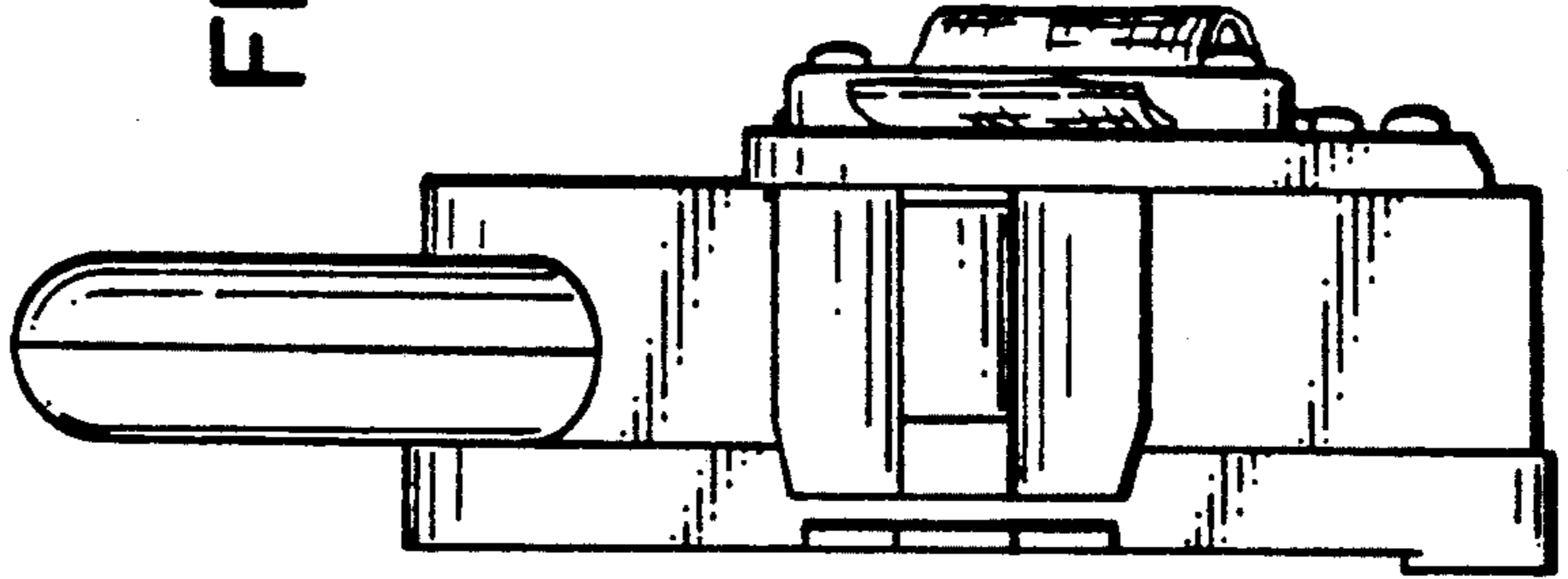


FIG. 4

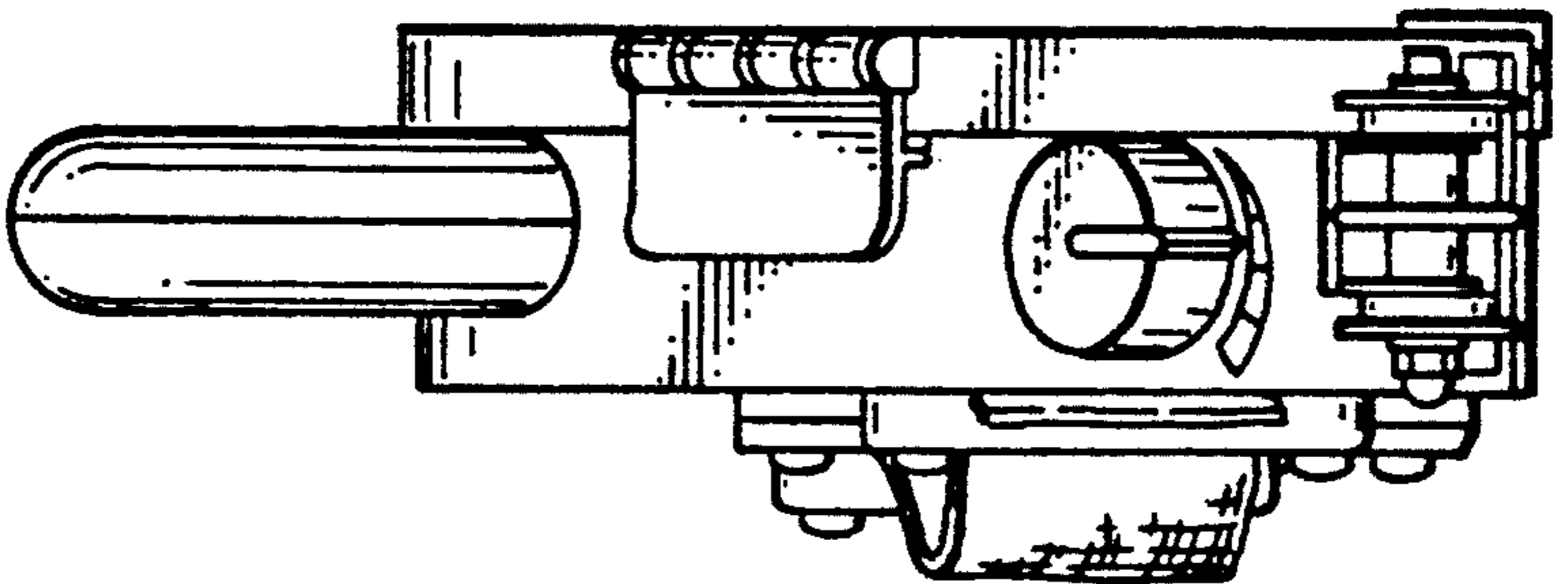


FIG. 6

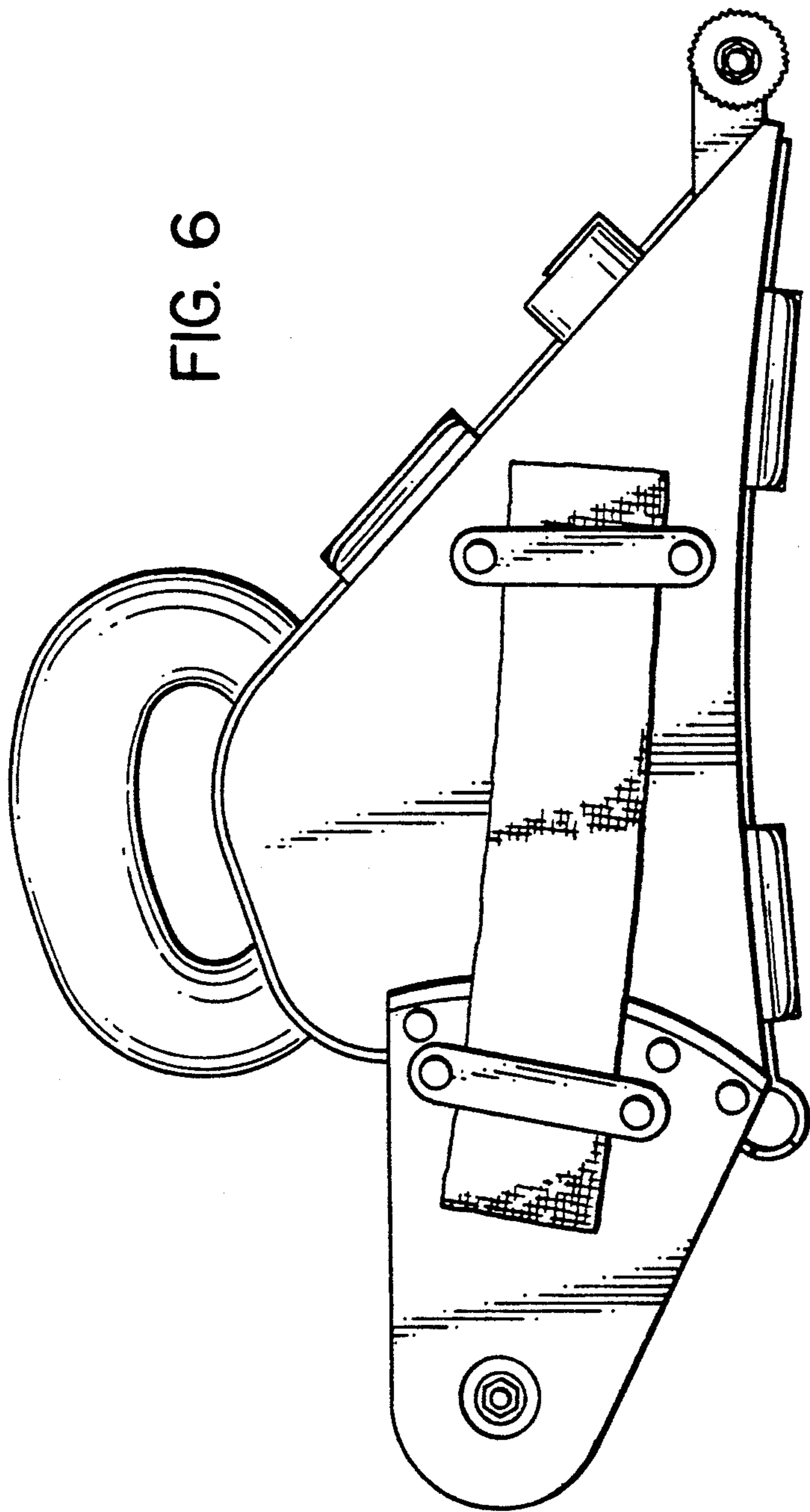


FIG. 7

