



US00D331351S

United States Patent [19]

[11] Patent Number: **Des. 331,351**

Finney et al.

[45] Date of Patent: **** Dec. 1, 1992**

[54] **TORTILLA SERVER**

D. 310,464	9/1990	Laib	D7/542 X
3,360,153	1/1966	Wheaton, Jr.	220/4.21
3,373,890	3/1968	Schilling	220/575 X

[75] Inventors: **Lloyd M. Finney; Rene R. Burger; David J. Zielinski**, all of Oklahoma City, Okla.

OTHER PUBLICATIONS

[73] Assignee: **Continental Carlisle Inc.**, Oklahoma City, Okla.

Kokki Ceramic Lid in Gifts and Decorative Accessories Aug. 1979, p. 109.

[**] Term: **14 Years**

Primary Examiner—Alan P. Douglas
Assistant Examiner—M. N. Pandozzi
Attorney, Agent, or Firm—Laney, Dougherty, Hessin & Beavers

[21] Appl. No.: **513,173**

[22] Filed: **Apr. 23, 1990**

[52] U.S. Cl. **D7/540; D7/542**

[57] CLAIM

[58] Field of Search **D7/540, 542, 519, 538, D7/543, 552, 505, 556, 555, 567, 571, 551, 545, 556, 549, 553, 554, 500, 504; 215/227, 306; 220/4.21, 355, 306, 574, 575, 547**

The ornamental design for a tortilla server, as shown and described.

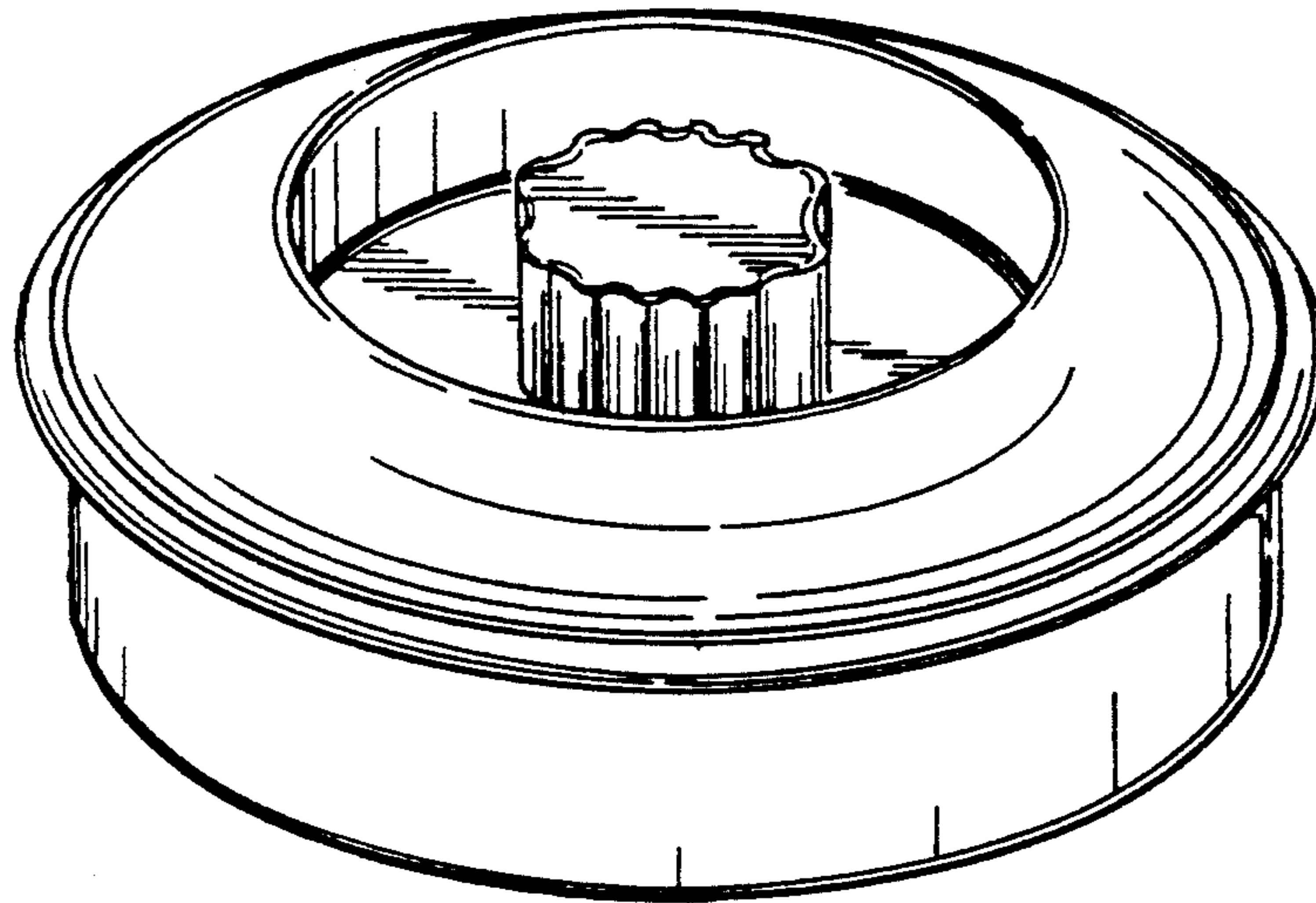
[56] References Cited

DESCRIPTION

U.S. PATENT DOCUMENTS

D. 241,399	9/1976	Christian	D7/540
D. 287,802	1/1987	Daenen	D7/540
D. 287,917	1/1987	Pomroy et al.	D7/505

FIG. 1 is a top perspective view of a tortilla server showing our new design;
FIG. 2 is a side elevational view thereof, all sides being identical thereto;
FIG. 3 is a top plan view thereof; and,
FIG. 4 is a bottom plan view thereof.



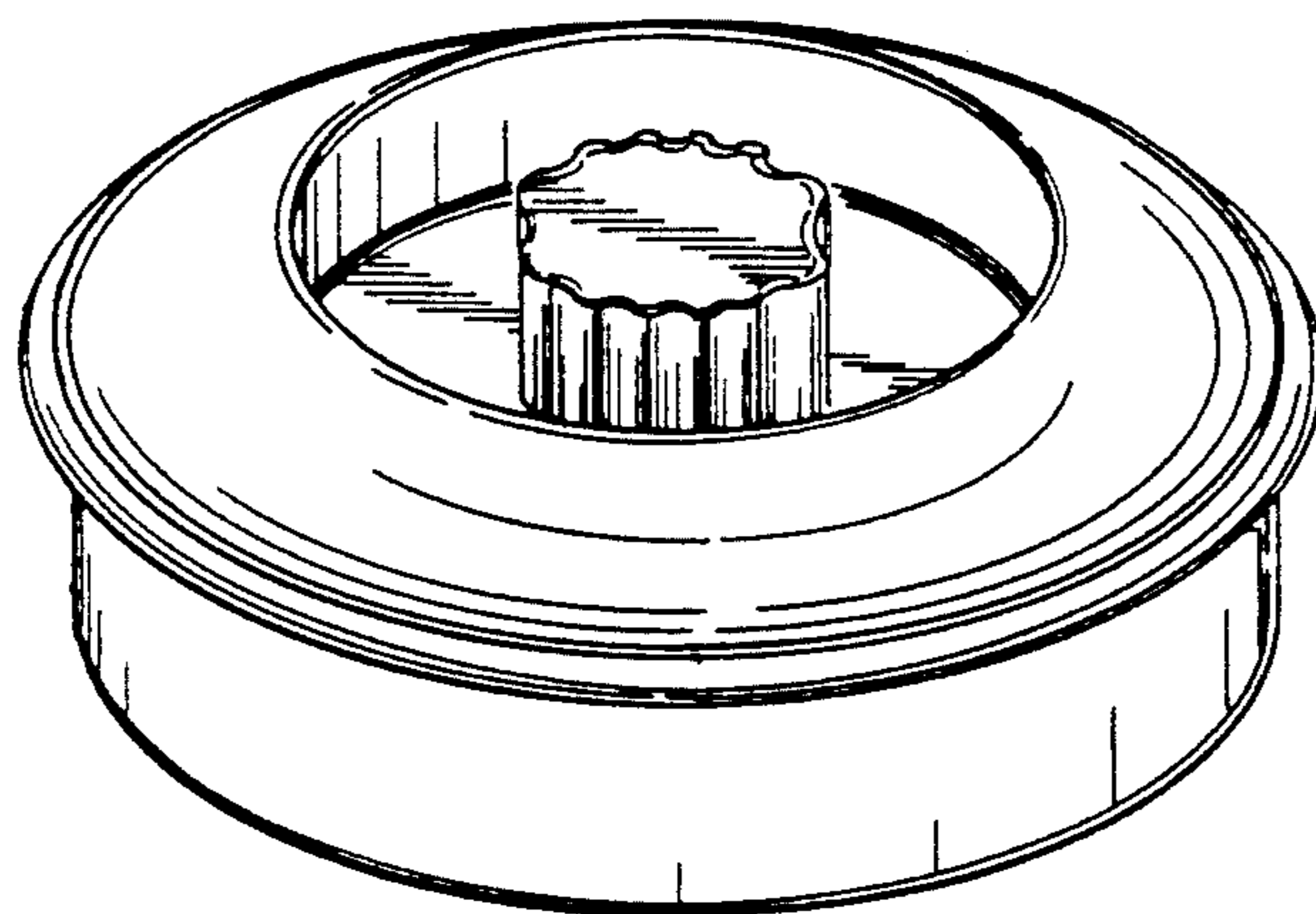


FIG. 1

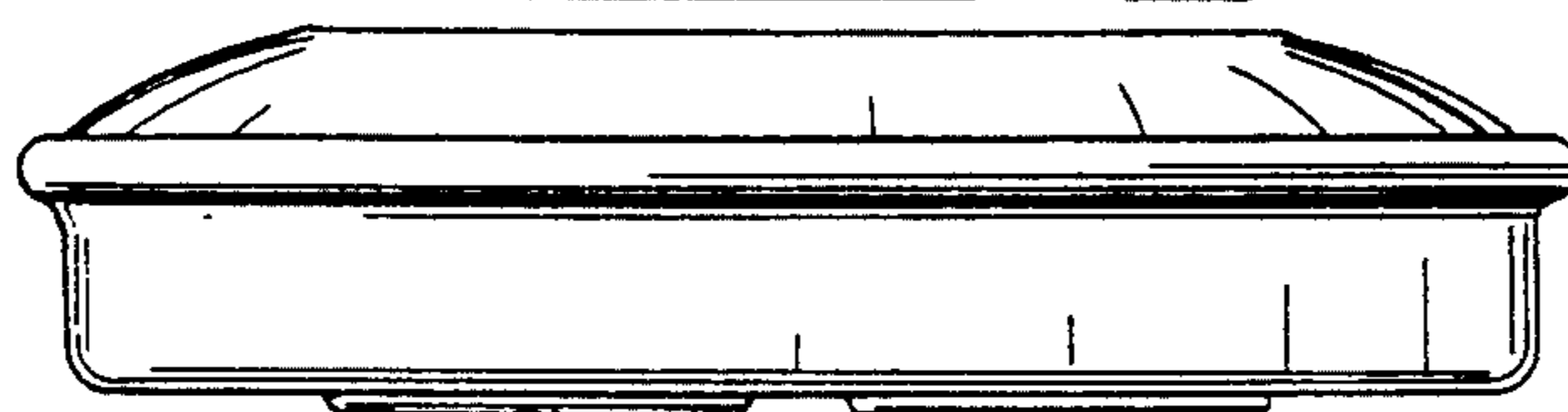


FIG. 2

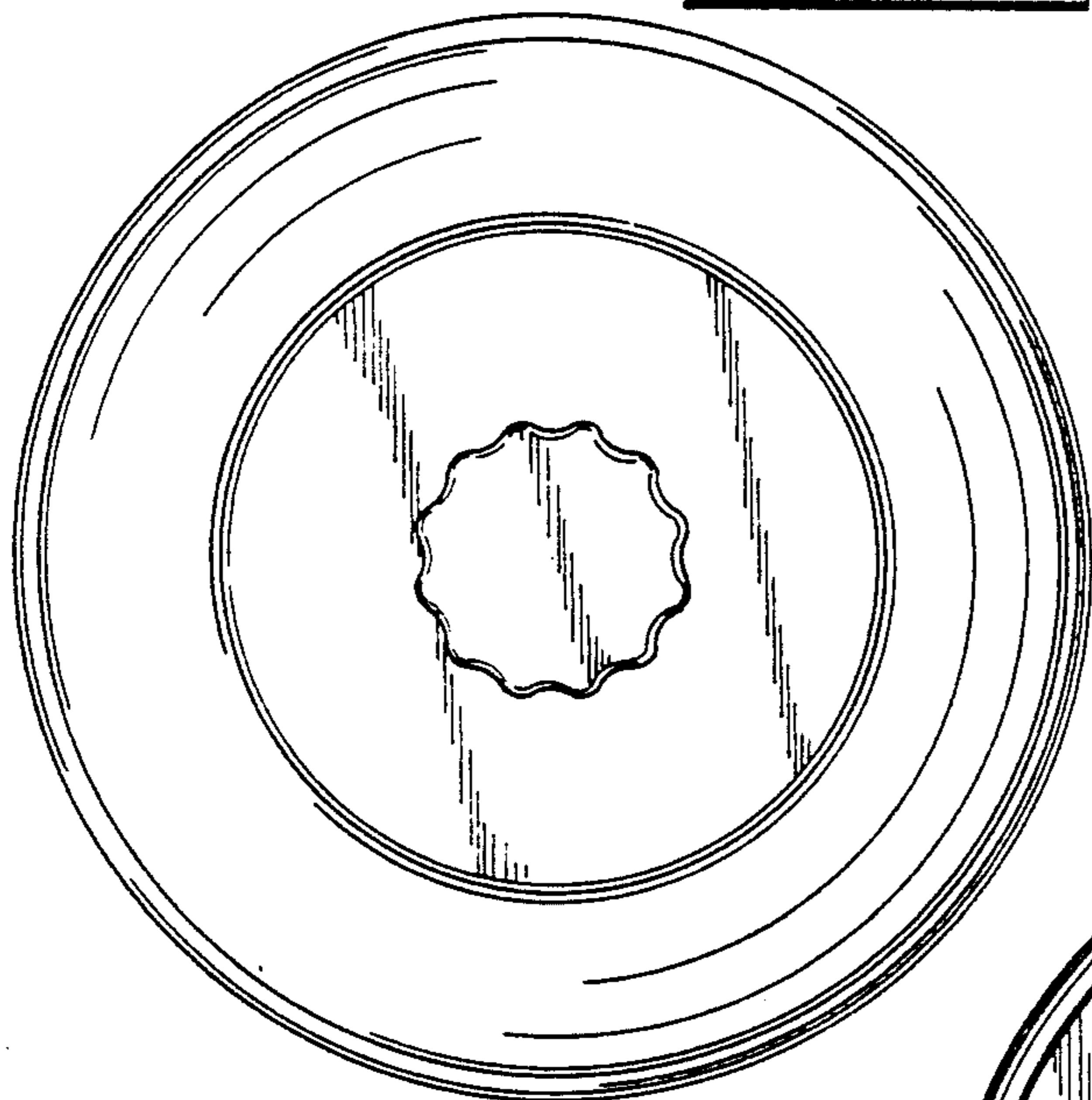


FIG. 3

FIG. 4

