



US00D331350S

# United States Patent [19]

[11] Patent Number: **Des. 331,350**

Hing

[45] Date of Patent: **\*\* Dec. 1, 1992**

[54] REFLECTIVE TOP COVER FOR A SOLAR OVEN

4,236,508 12/1980 Kew ..... 126/451  
4,498,265 2/1985 Leflar et al. .... 126/450

[76] Inventor: **Ally O. Hing**, 1251 Main St., Superior, Ariz. 85273

*Primary Examiner*—A. Hugo Word  
*Assistant Examiner*—Ruth McInroy  
*Attorney, Agent, or Firm*—Warren F. B. Lindsley

[\*\*] Term: **14 Years**

[57] **CLAIM**

[21] Appl. No.: **612,886**

The ornamental design for a reflective top cover for a solar oven, as shown and described.

[22] Filed: **Nov. 14, 1990**

[52] U.S. Cl. .... **D7/405**

**DESCRIPTION**

[58] Field of Search ..... D7/324, 402, 405;  
126/450, 451, 438, 440, 198, 200, 273 R, 275 R;  
D9/423, 432

FIG. 1 is a top, front and left side perspective view of a reflective top cover for a solar oven showing my new design;

[56] **References Cited**

**U.S. PATENT DOCUMENTS**

D. 40,062 6/1909 Huenefeld ..... D7/405  
D. 268,098 3/1983 Brown ..... D9/432

FIG. 2 is a right side elevational view thereof;

FIG. 3 is a front elevational view thereof;

FIG. 4 is a rear elevational view thereof;

FIG. 5 is a top plan view thereof; and,

FIG. 6 is a bottom plan view thereof.

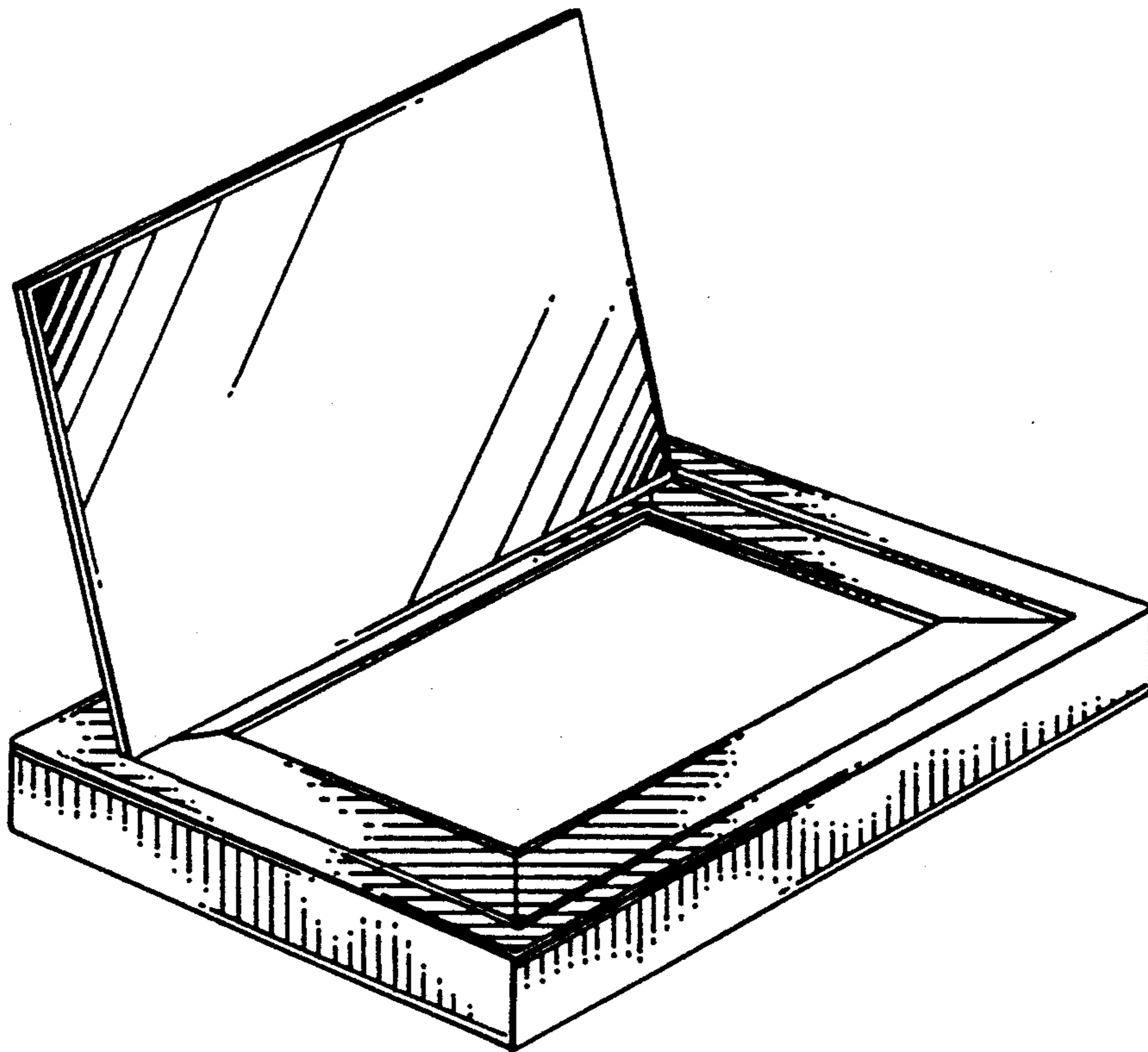


FIG 1

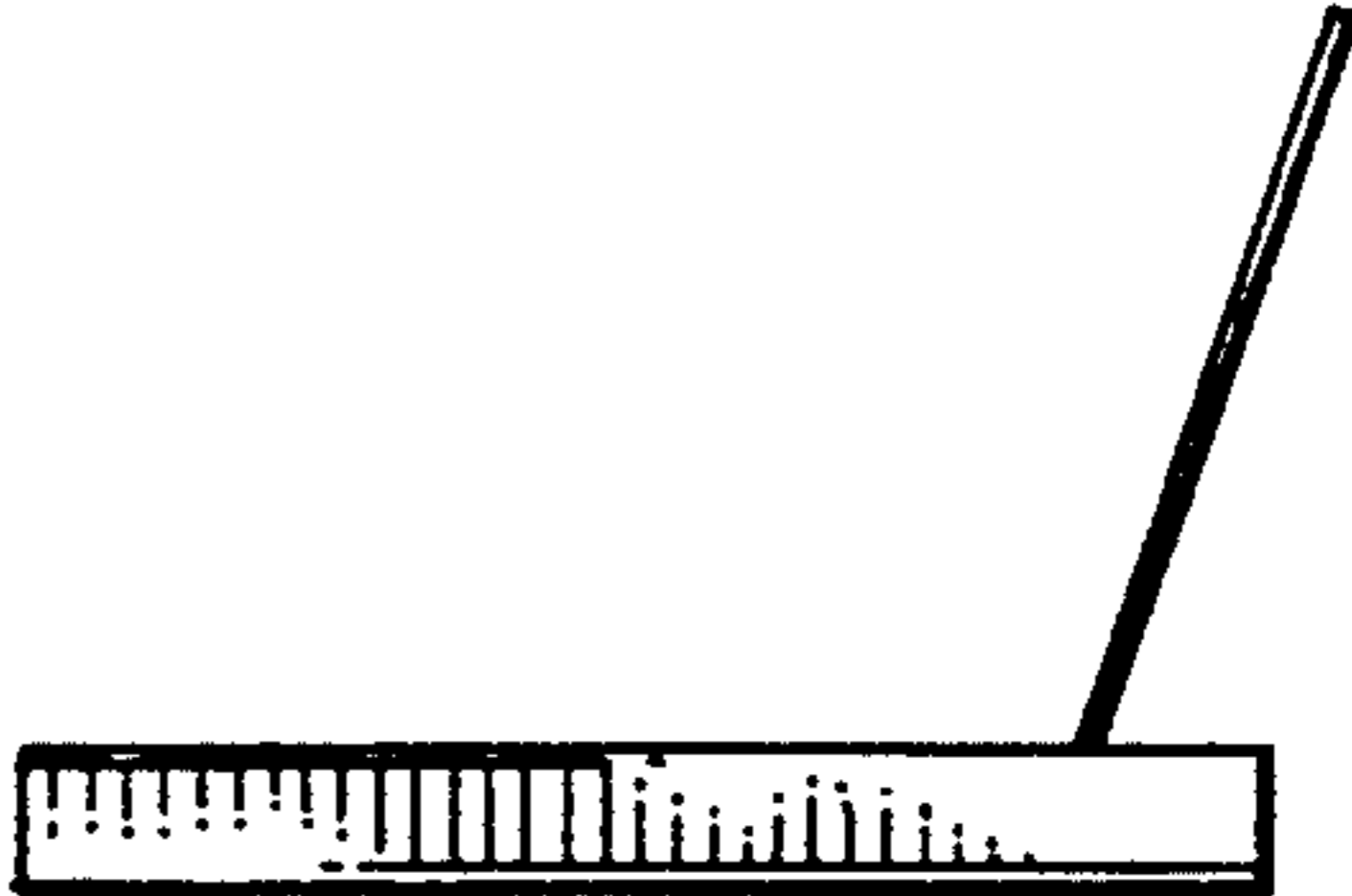
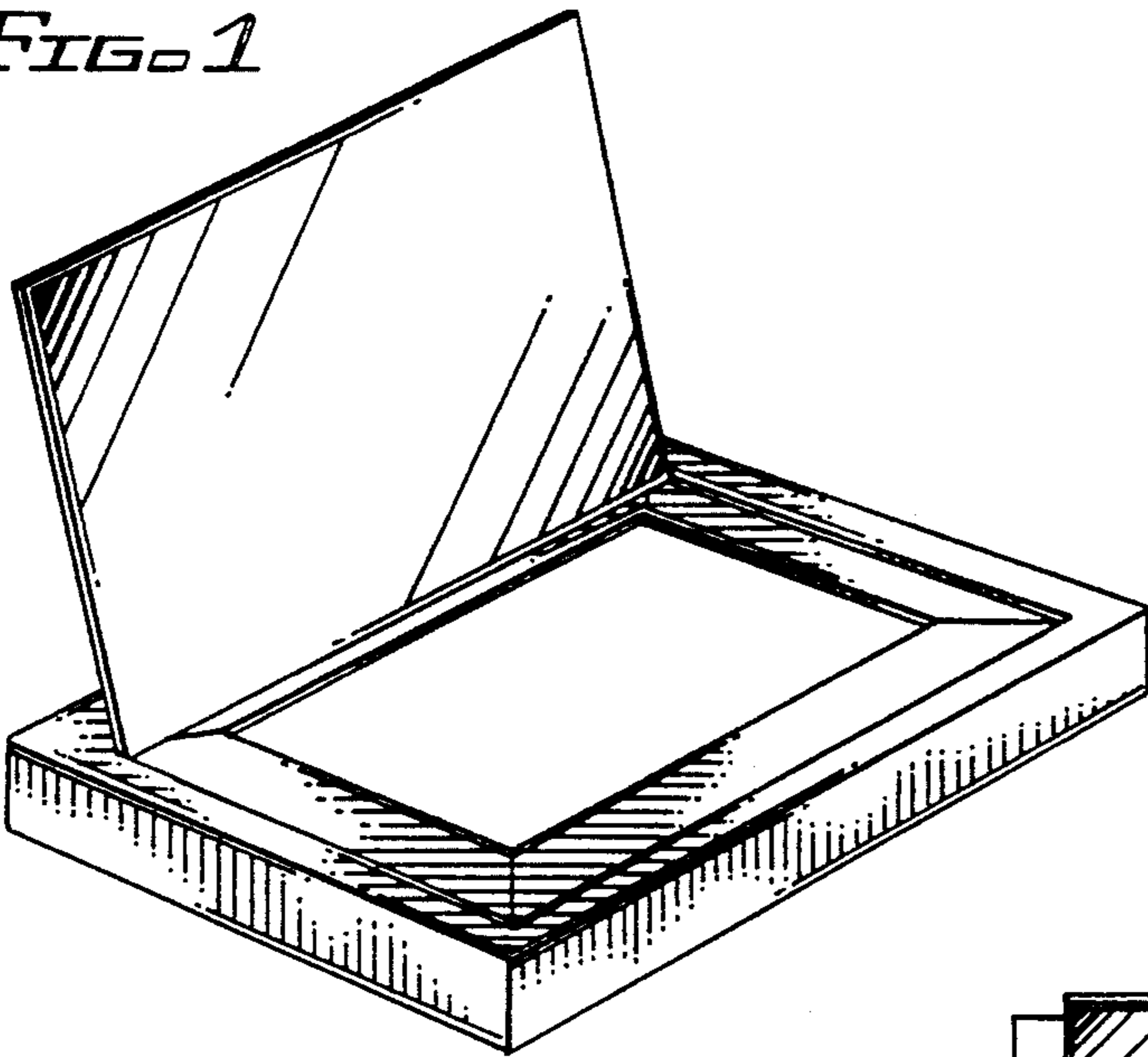


FIG 2

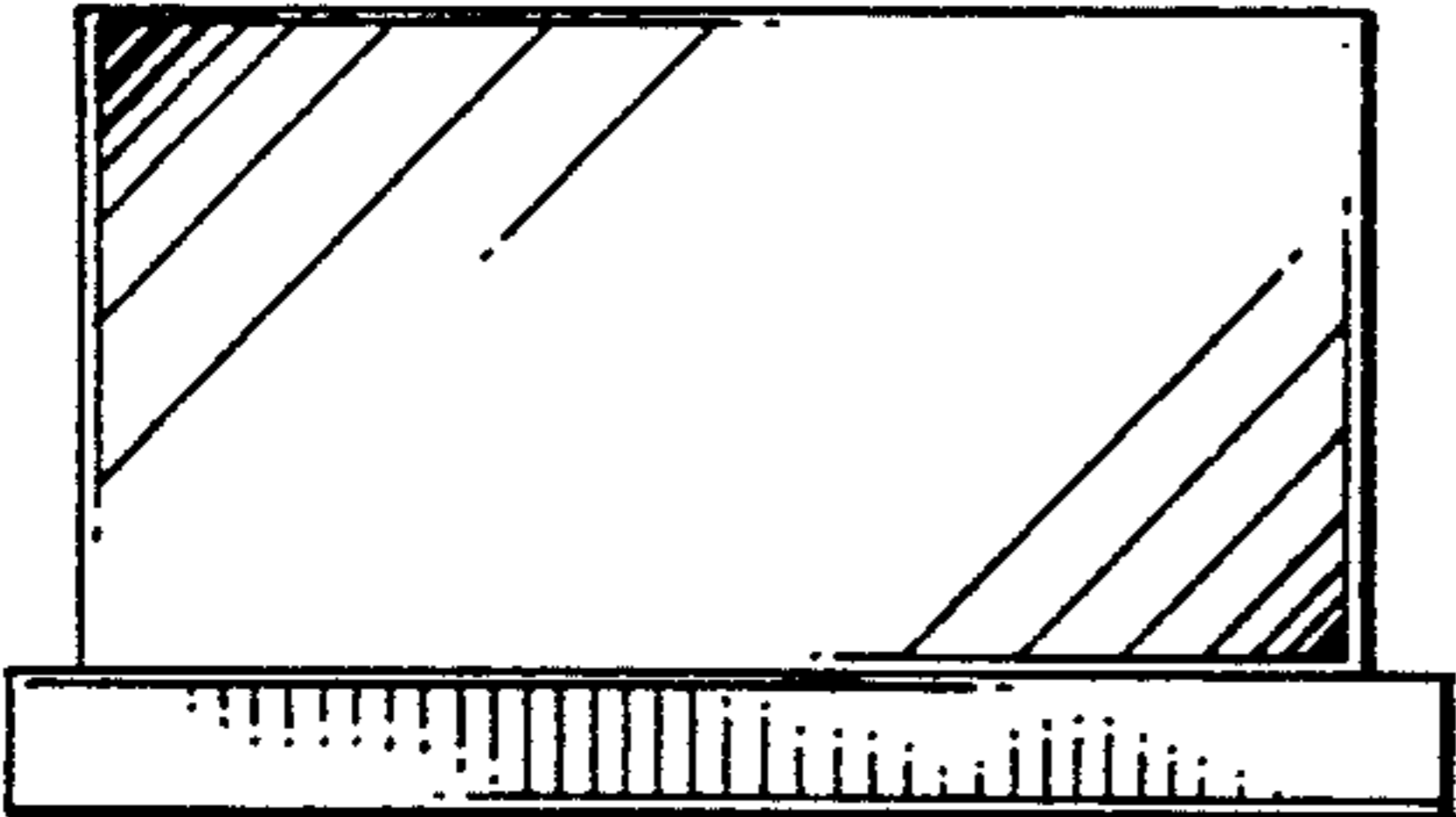


FIG 3

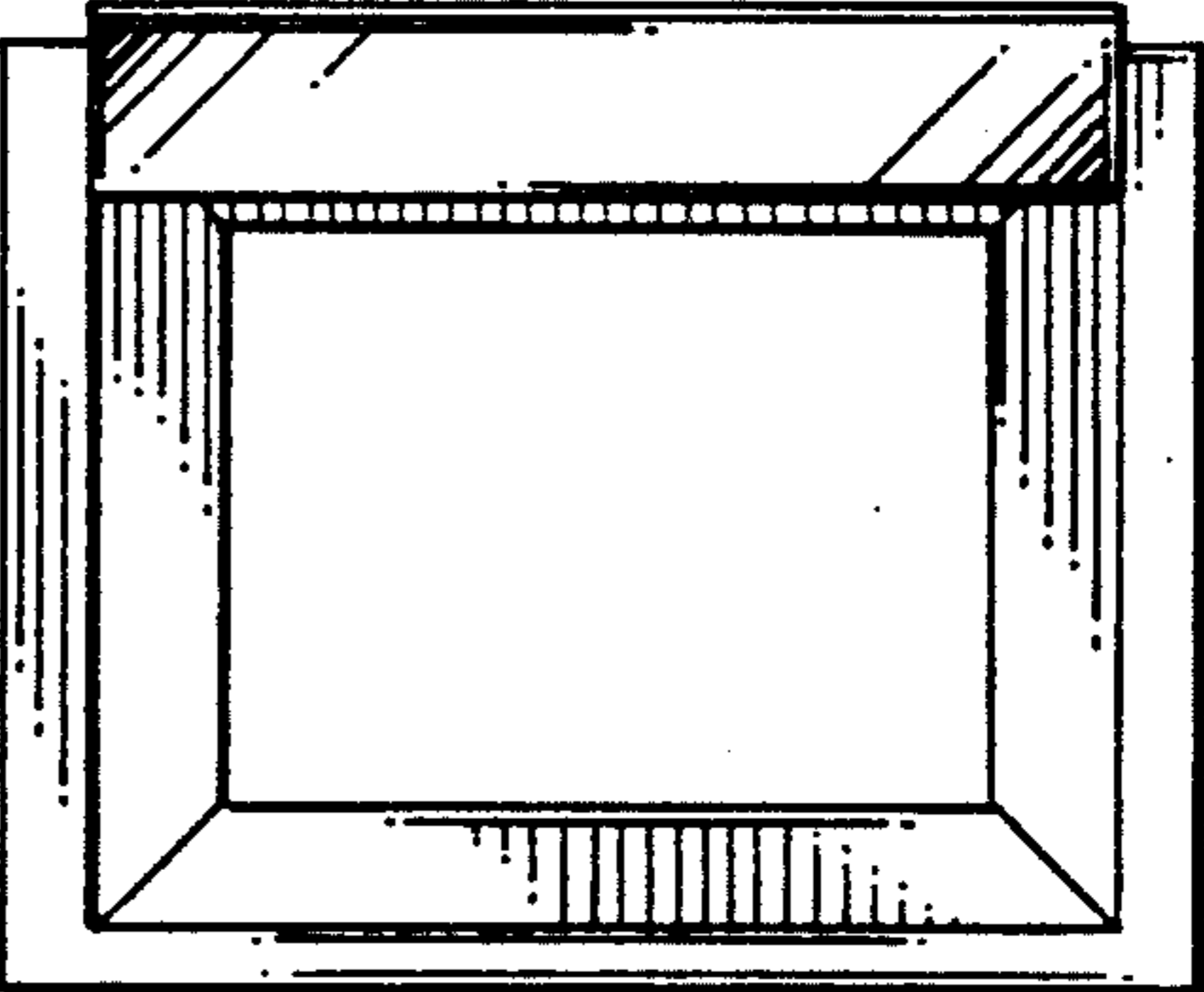


FIG 5

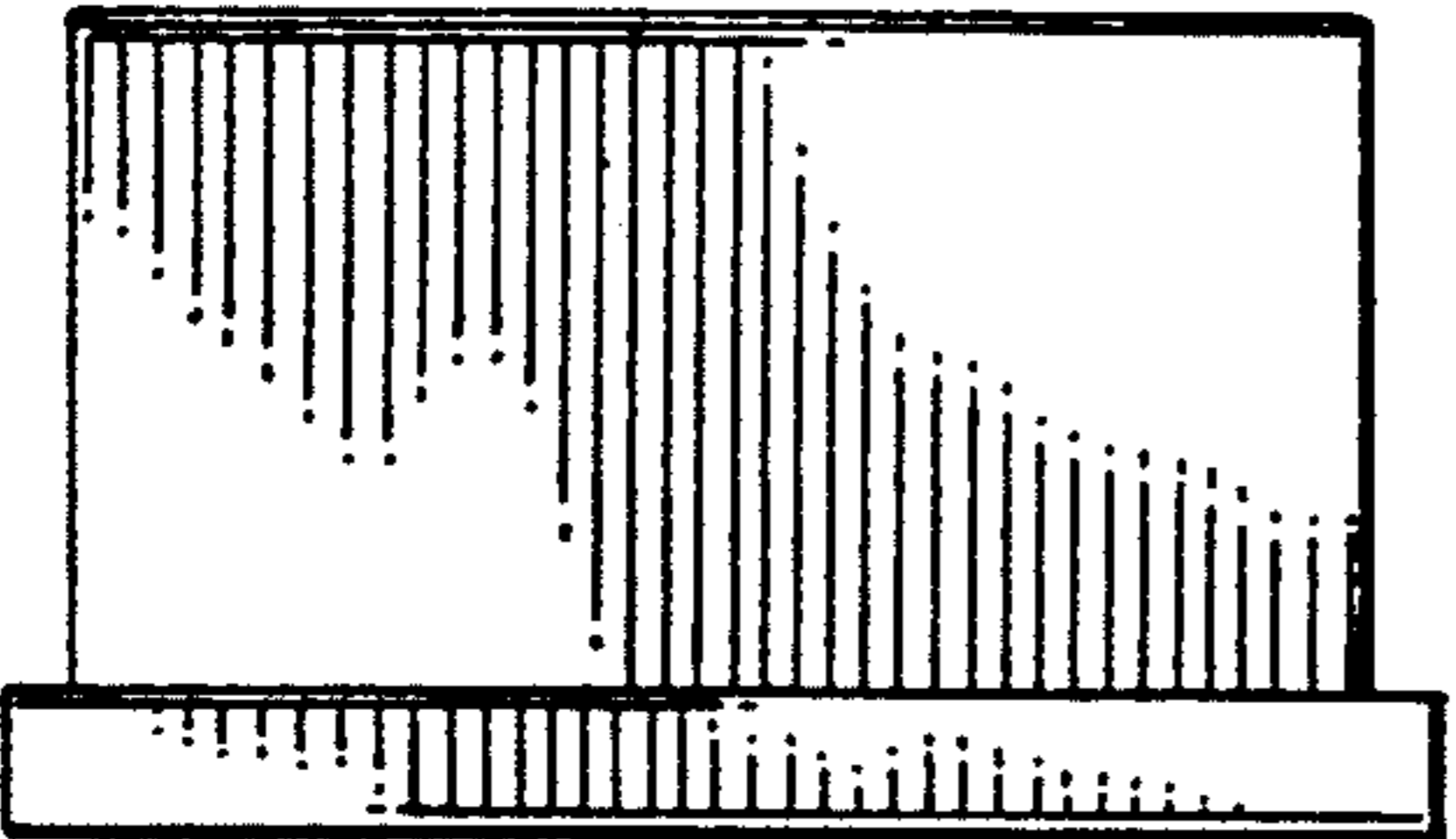


FIG 4

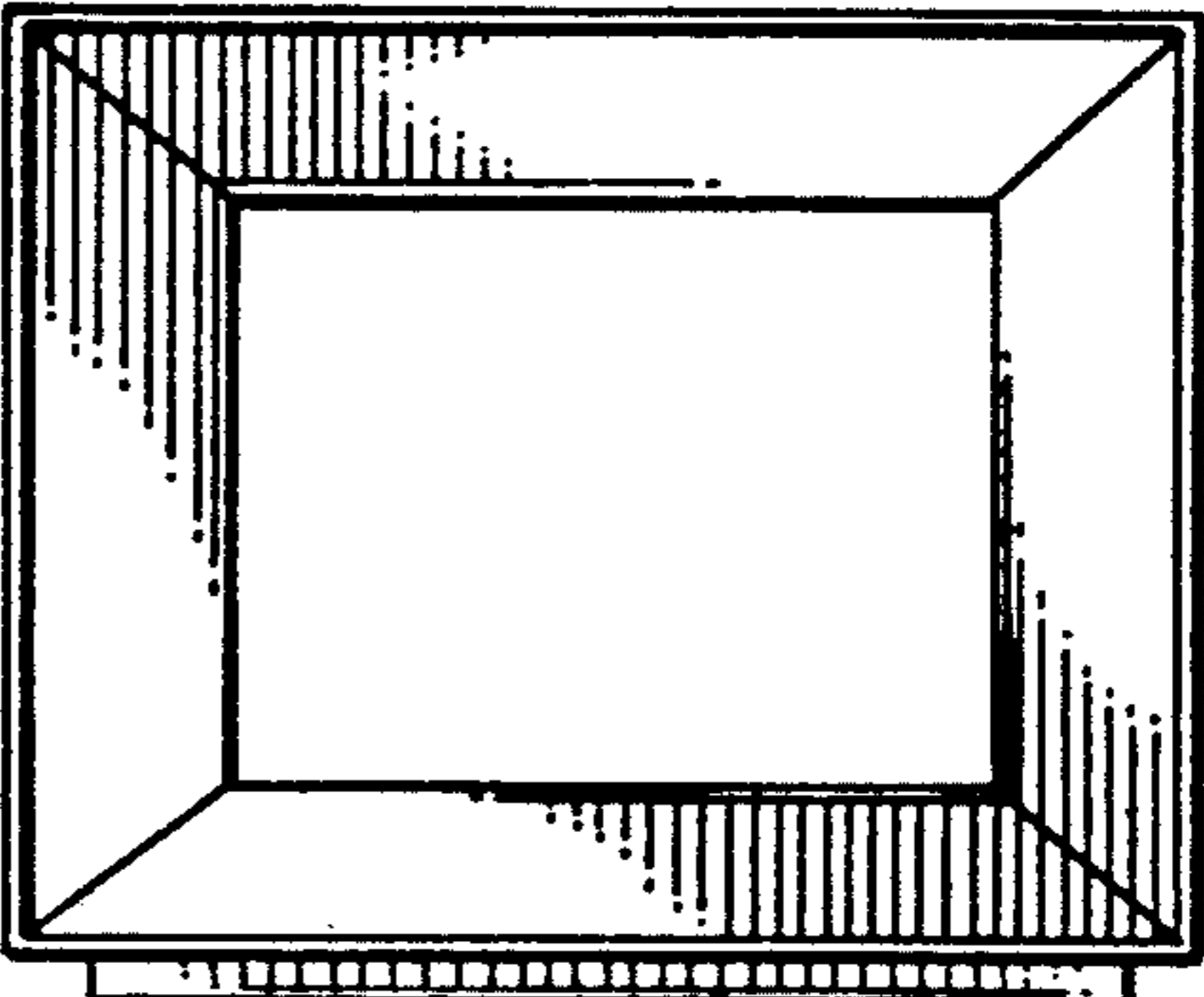


FIG 6