



US00D331349S

United States Patent [19]

[11] Patent Number: **Des. 331,349**

Culverson

[45] Date of Patent: **** Dec. 1, 1992**

[54] **BEER KEG STACKING SPACER**

[76] Inventor: **Harold Culverson, 29659
Y-S-P-Pkwy., Coarsegold, Calif.
93624**

[**] Term: **14 Years**

[21] Appl. No.: **464,770**

[22] Filed: **Jan. 16, 1990**

[52] U.S. Cl. **D7/387; D7/404;
D7/397**

[58] Field of Search **D7/387, 396.6, 377,
D7/401.1, 404, 402, 549, 403, 602; 206/386;
220/DIG. 1, 4.26, 4.27; 248/396; 215/16;
211/74**

[56] **References Cited**

U.S. PATENT DOCUMENTS

D. 97,307	4/1935	Showman et al.	D7/404
D. 144,093	3/1946	Abell	D7/402
D. 210,188	2/1968	Burns	D7/397
D. 230,810	3/1974	Ryan, Jr.	D7/549 X
D. 259,014	4/1981	Nelson, Sr.	D7/387 X
2,326,414	8/1943	Thumpson	220/4.27

2,907,486	10/1959	Perez	220/4.26
4,119,235	10/1978	Uhlig	220/DIG. 1 X
4,377,231	3/1983	Murphy	220/4.26 X
4,883,935	11/1989	Fairchild et al.	220/4.27 X

Primary Examiner—Carmen H. Vales-Lado

Assistant Examiner—M. N. Pandozzi

Attorney, Agent, or Firm—Basil Travis

[57] **CLAIM**

The ornamental design for a beer keg stacking spacer, as shown and described.

DESCRIPTION

FIG. 1 is a top, front, left perspective view of a beer keg stacking spacer, showing my new design;

FIG. 2 is a top plan view thereof;

FIG. 3 is a bottom plan view thereof;

FIG. 4 is a top, front perspective view thereof;

FIG. 5 is a bottom, rear perspective view thereof; and,

FIG. 6 is a left side elevational view the right side elevational view being a mirror image thereof.

The broken line showing of two beer kegs in FIG. 1 is for illustrative purposes only and forms no part of the claimed design.

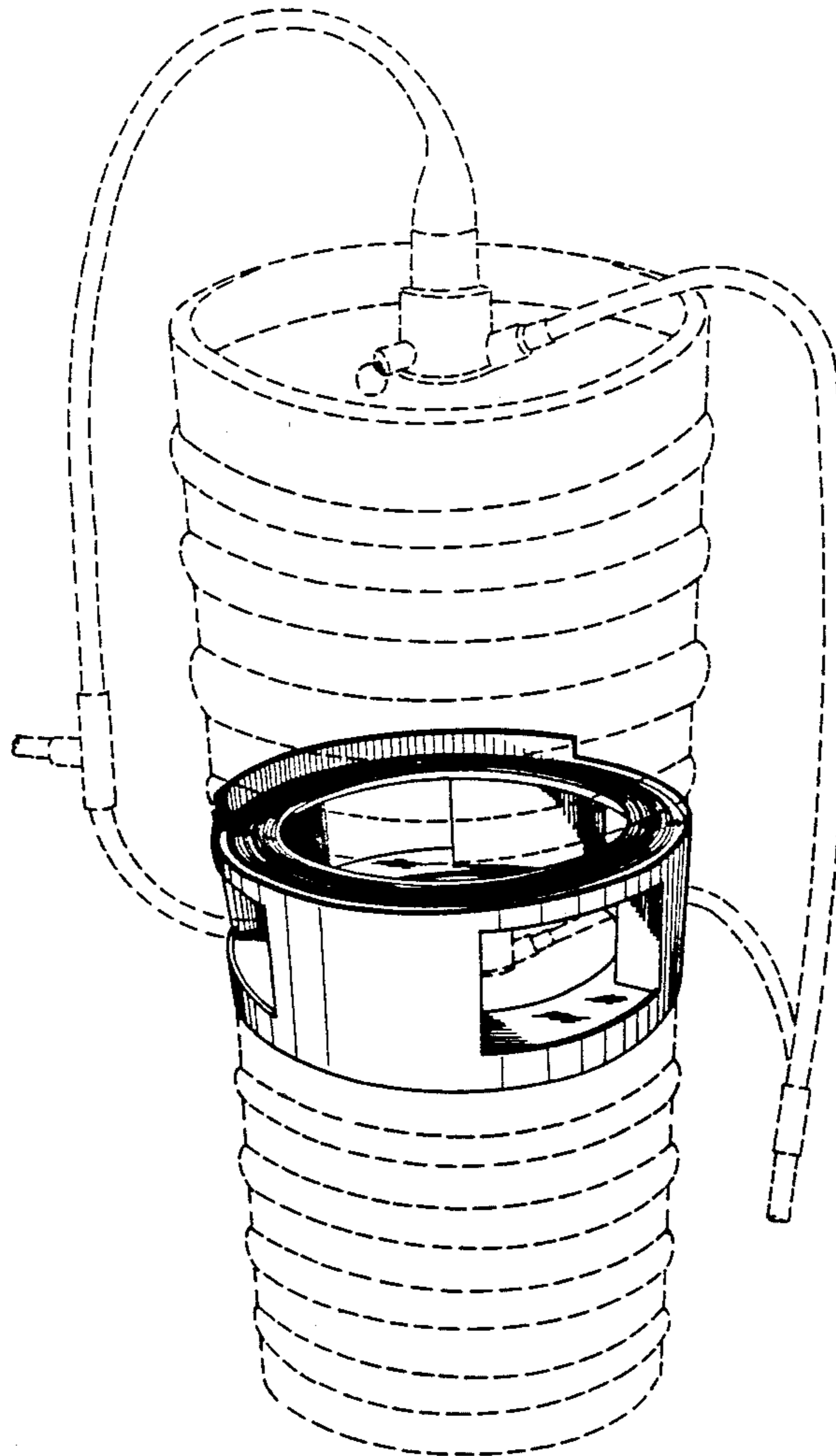
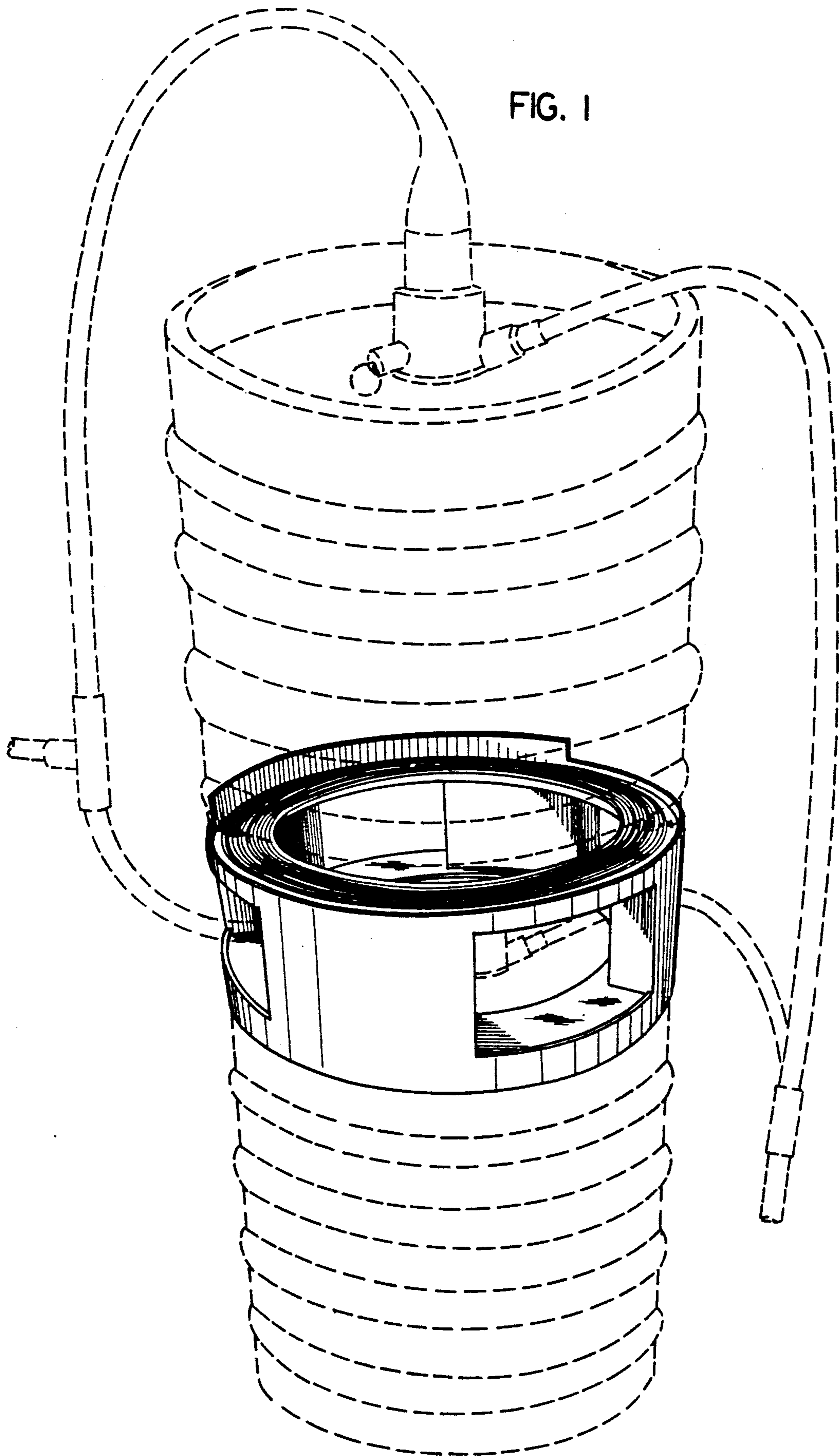


FIG. 1



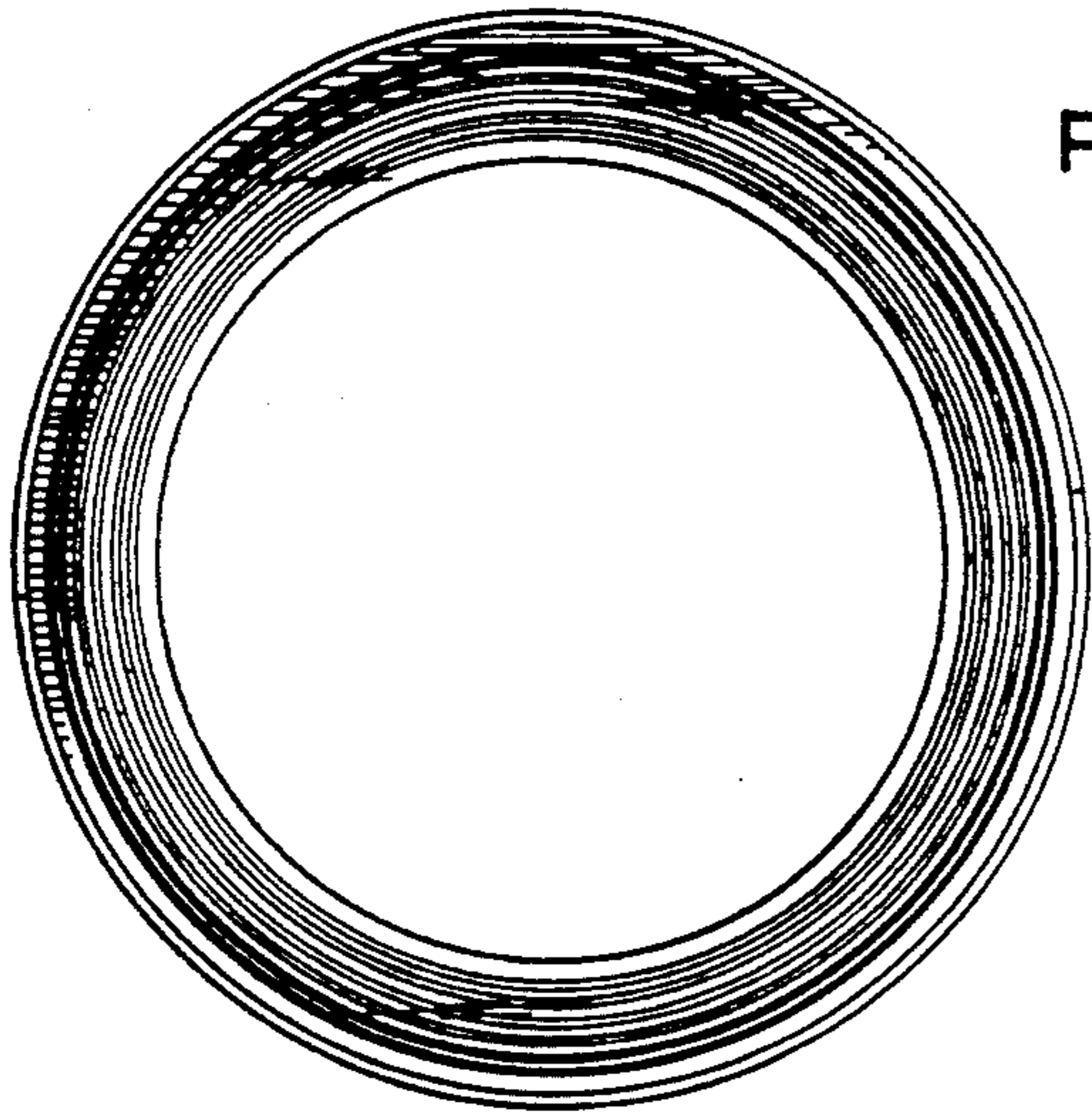


FIG. 2

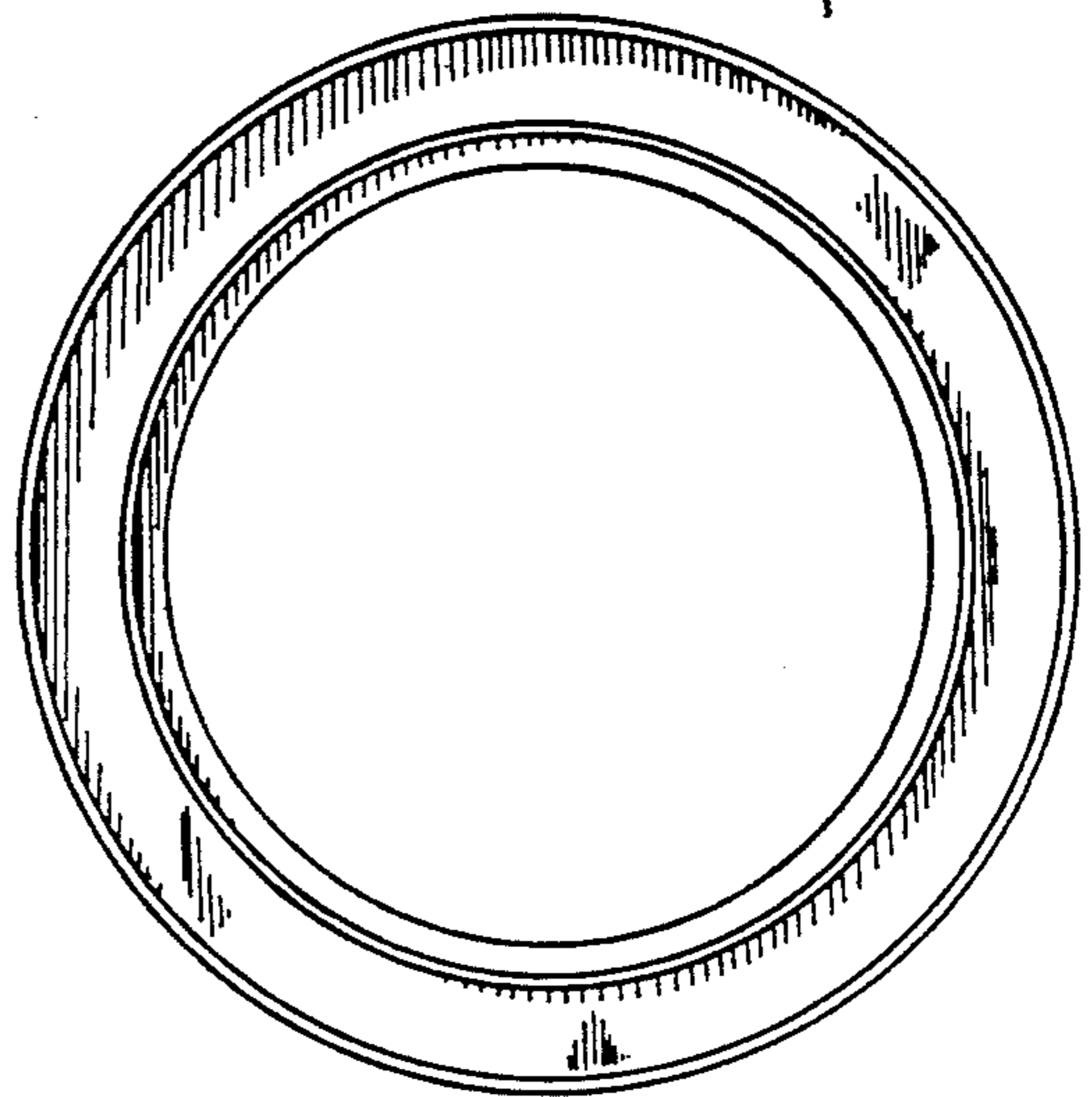


FIG. 3

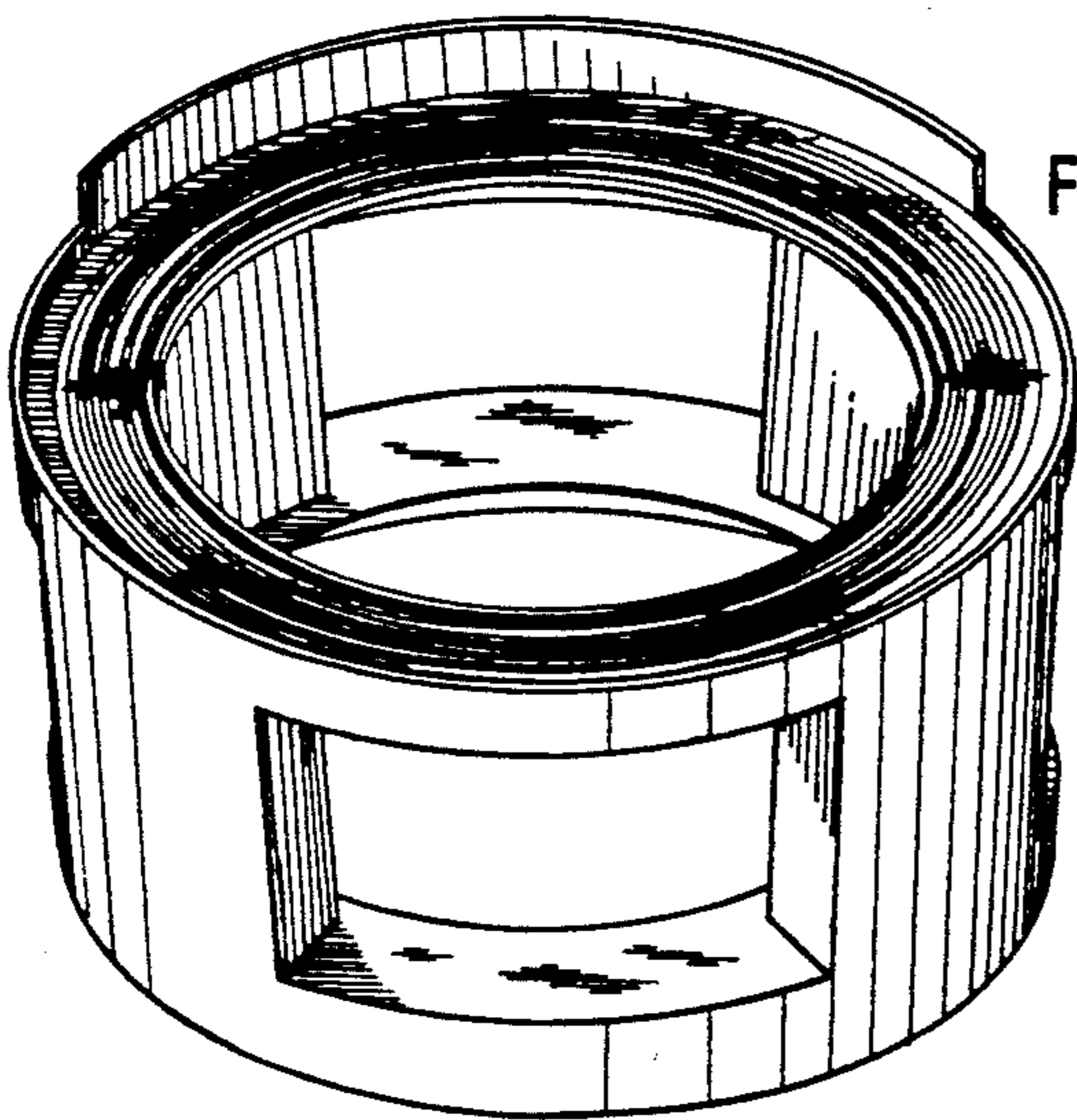


FIG. 4

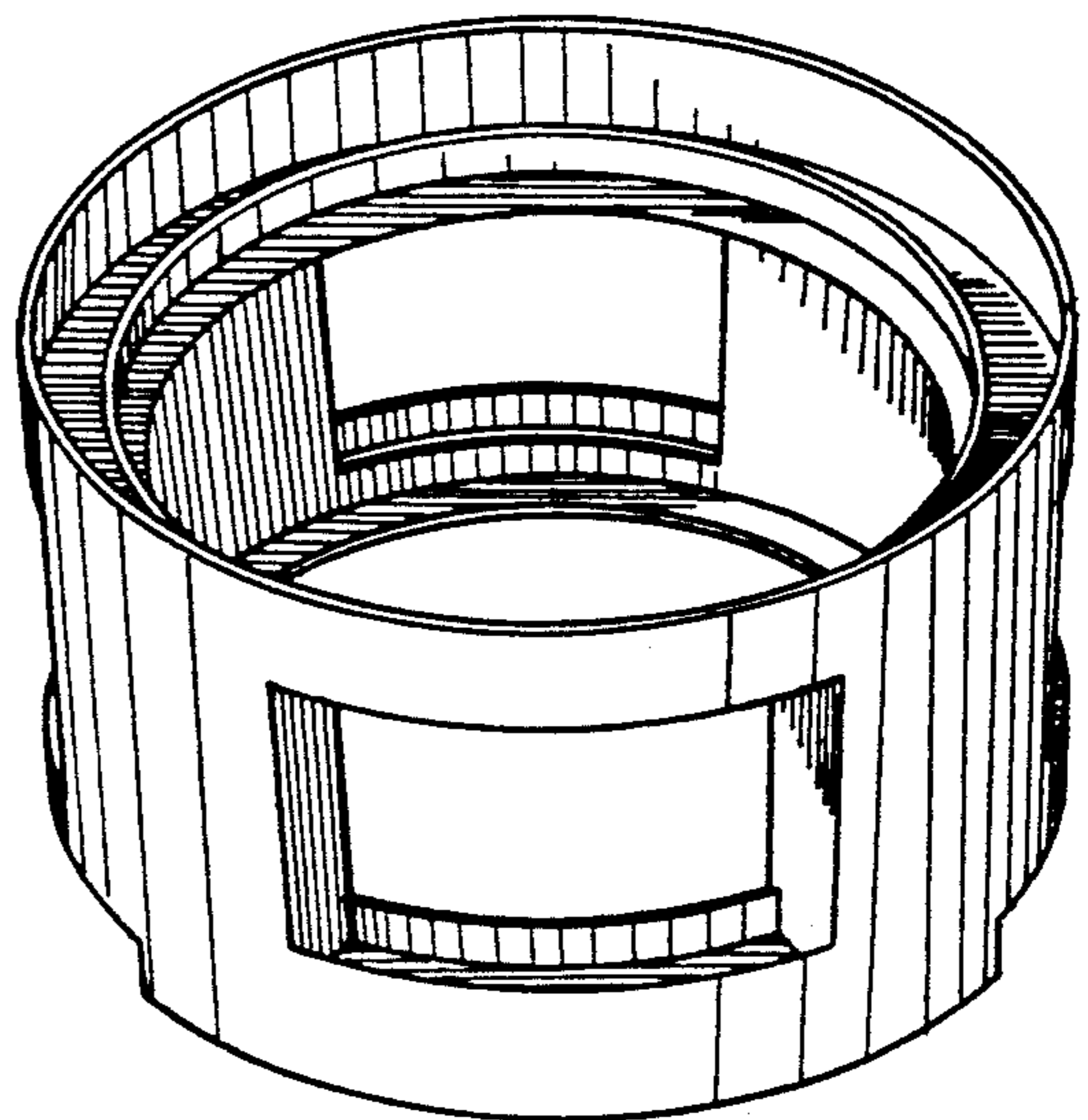


FIG. 5

FIG. 6

