



US00D331345S

United States Patent [19]

[11] Patent Number: **Des. 331,345**

Carlin

[45] Date of Patent: **** Dec. 1, 1992**

[54] SWIVEL PODIUM

[75] Inventor: **Glenn M. Carlin**, Litchfield County, Conn.

[73] Assignee: **Thomson-Leeds Company, Inc.**, New York, N.Y.

[**] Term: **14 Years**

[21] Appl. No.: **583,366**

[22] Filed: **Sep. 17, 1990**

[52] U.S. Cl. **D19/91; D6/553**

[58] Field of Search **D6/553, 567, 396, 419; D8/349, 354, 380; D19/75, 76, 86, 91; 211/13, 42, 43; 248/441.1, 447, 447.1, 450-451**

[56] **References Cited**

U.S. PATENT DOCUMENTS

D. 250,984 2/1979 Schwartz D6/419

2,546,419	3/1951	Ashley	211/42
3,294,245	12/1966	Parle	211/42
4,015,863	4/1977	Holum	D19/91 X
4,066,168	1/1978	O'Toole et al.	211/42 X
4,512,542	4/1985	Black	D6/419 X

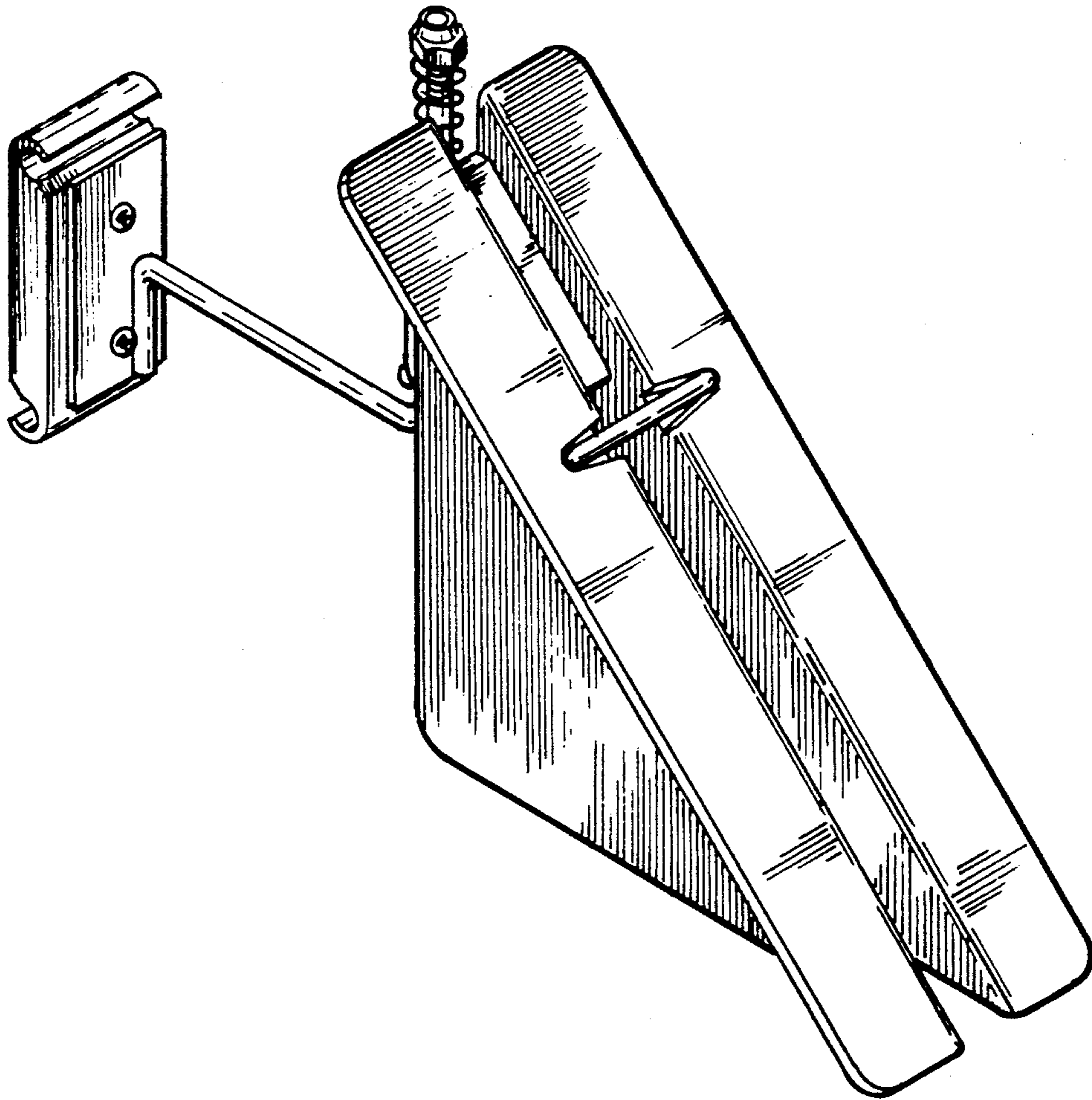
Primary Examiner—Brian N. Vinson
Attorney, Agent, or Firm—Howard C. Miskin

[57] **CLAIM**

The ornamental design for a swivel podium, as shown and described.

DESCRIPTION

FIG. 1 is a top, front, and left side perspective view of a swivel podium showing my new design; FIG. 2 is a left side elevational view thereof, the right side being a mirror image of that shown; FIG. 3 is a bottom plan view thereof; FIG. 4 is a rear elevational view thereof; and, FIG. 5 is a front elevational view thereof.



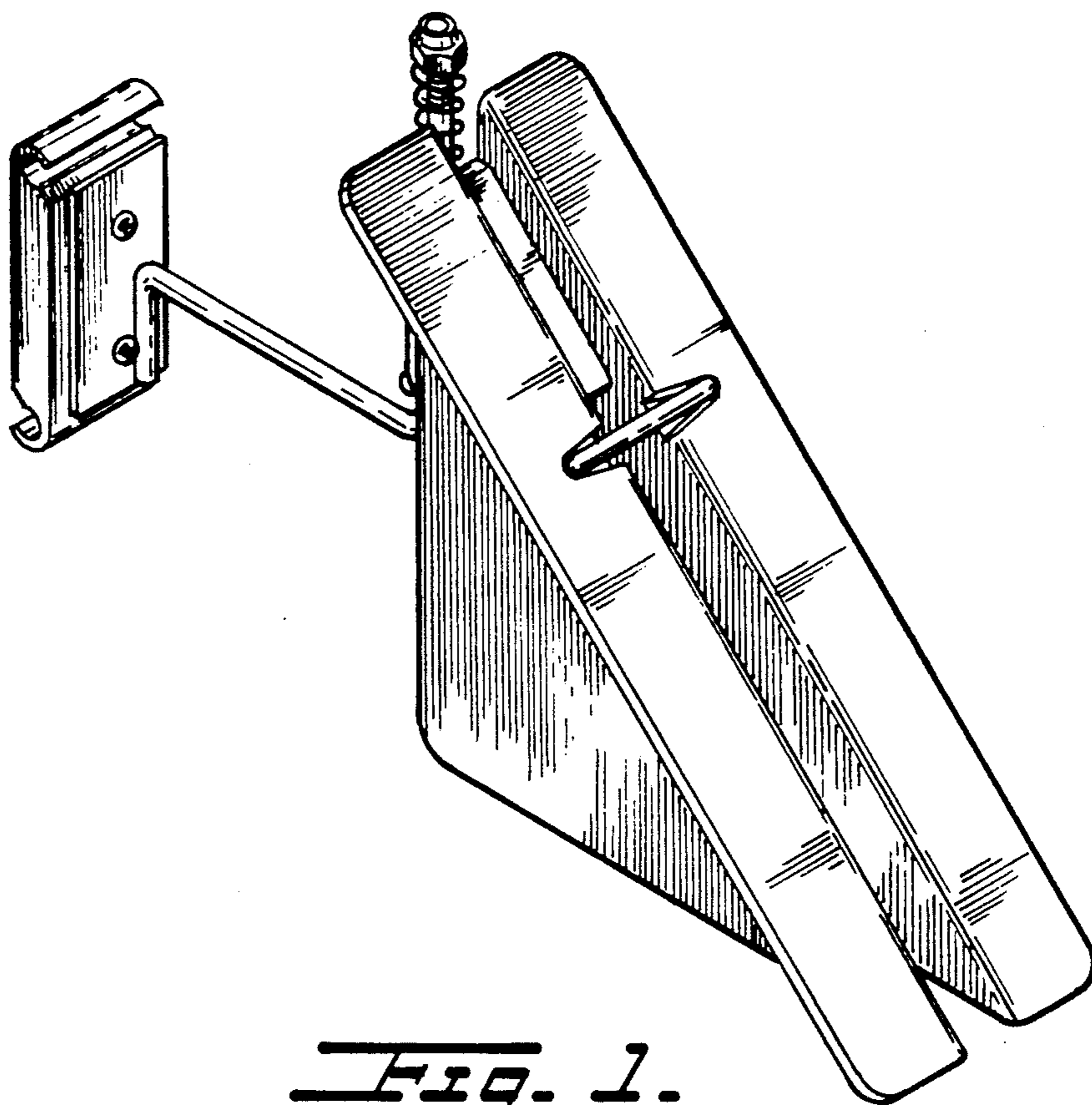


FIG. 1.

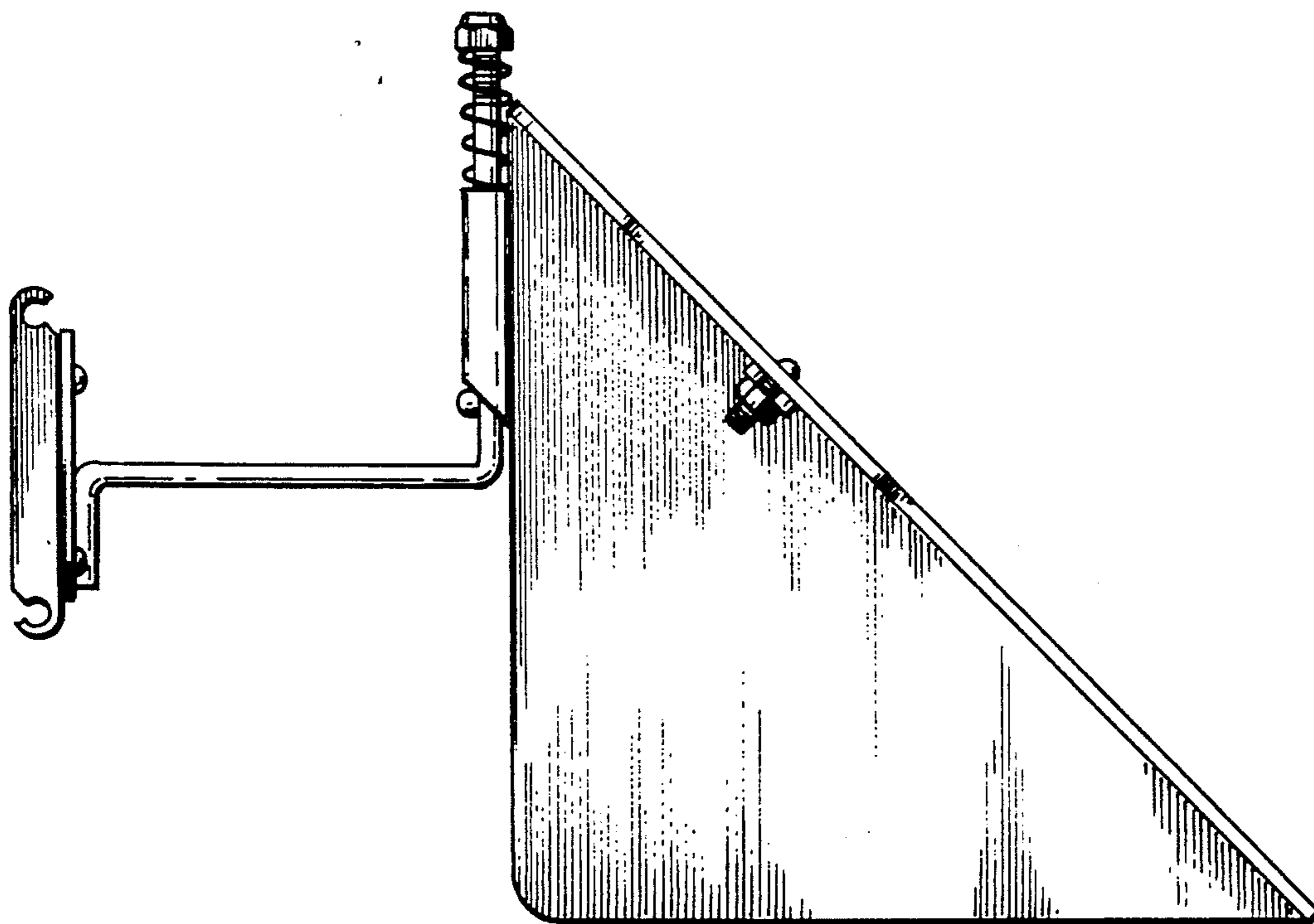


FIG. 2.

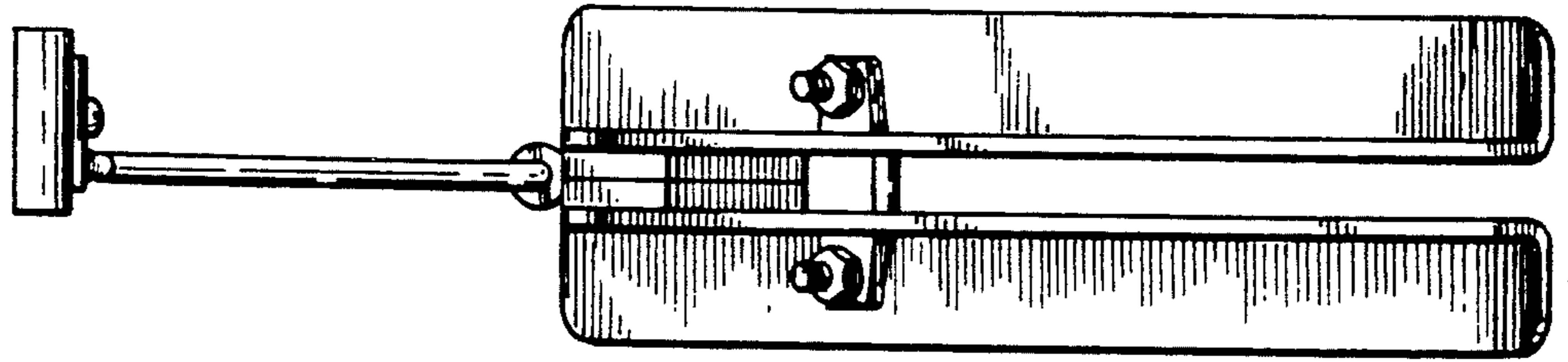


Fig. 3.

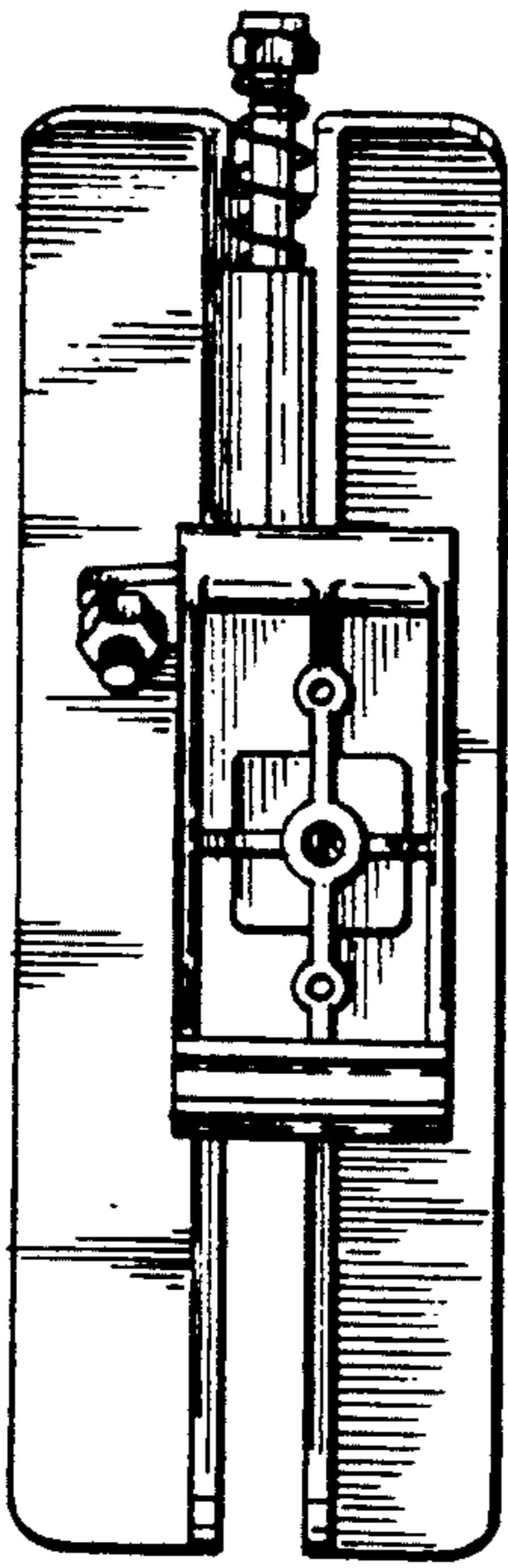


Fig. 4.

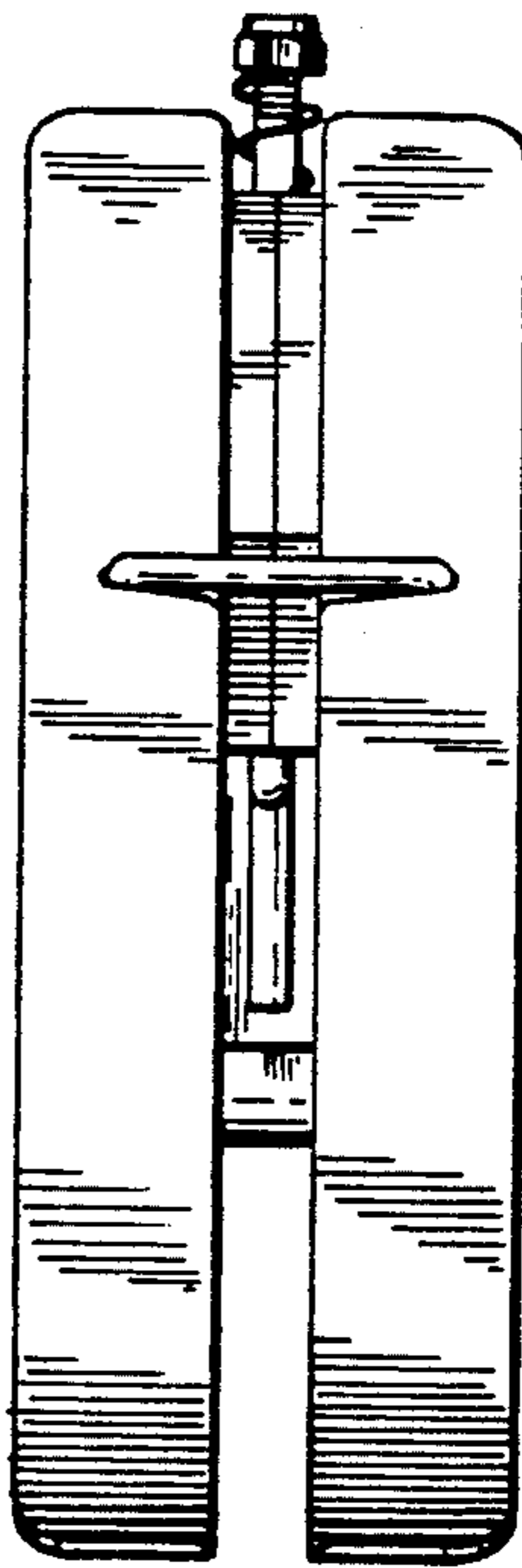


Fig. 5.