



US00D331343S

# United States Patent [19]

VanStaveren

[11] Patent Number: **Des. 331,343**

[45] Date of Patent: **\*\* Dec. 1, 1992**

[54] **SUPPORT FRAME FOR A BENCH**

[75] Inventor: **Dick VanStaveren, Ajax, Canada**

[73] Assignee: **Diro Metal Manufacturing Ltd., Pickering, Canada**

[\*\*] Term: **14 Years**

[21] Appl. No.: **511,020**

[22] Filed: **Apr. 18, 1990**

[52] U.S. Cl. .... **D6/495; D6/492**

[58] Field of Search ..... **D6/491, 492, 494, 495, D6/499, 500-502, 509-511, 337; 297/444, 445, 454**

[56] **References Cited**

**U.S. PATENT DOCUMENTS**

D. 42,419	4/1912	Liddell .....	D6/492
D. 185,540	6/1959	Everly .....	D15/11
D. 263,189	3/1982	Beals .....	D6/495
D. 278,485	4/1985	Ely .....	D6/365
D. 282,130	1/1986	Crowe .....	D6/491
D. 312,543	12/1990	Shields .....	D6/492
421,970	2/1890	Ramsdell .	
1,188,457	6/1916	Kilburn .	
1,224,405	5/1917	Nienstadt .	
2,171,374	8/1939	Ryan et al. ....	189/1
2,842,186	7/1958	Worley .....	155/130
3,329,465	7/1967	King .....	297/444
3,351,311	11/1967	Melfi .....	248/226

3,729,226	4/1973	Barecki .....	297/445 X
3,946,992	3/1976	Elias .....	256/68
4,067,615	1/1978	Gehry .....	297/445
4,113,312	9/1978	Skalka .....	297/444 X
4,285,542	8/1981	Boisvert .....	297/217

**FOREIGN PATENT DOCUMENTS**

142925	11/1953	Sweden .
279244	11/1927	United Kingdom .

**OTHER PUBLICATIONS**

*Game Time*—©1965-1966, p. 42, top right corner table.

*Primary Examiner*—Nelson C. Holtje  
*Assistant Examiner*—Janice E. Seeger  
*Attorney, Agent, or Firm*—Nils H. Ljungman

[57] **CLAIM**

The ornamental design for a support frame for a bench, as shown and described.

**DESCRIPTION**

FIG. 1 is a perspective view of a support frame for a bench, showing my new design;  
FIG. 2 is a side elevational view, the opposite side being a mirror image thereof;  
FIG. 3 is a front elevational view;  
FIG. 4 is a rear elevational view;  
FIG. 5 is a top plan view; and,  
FIG. 6 is a bottom plan view thereof.

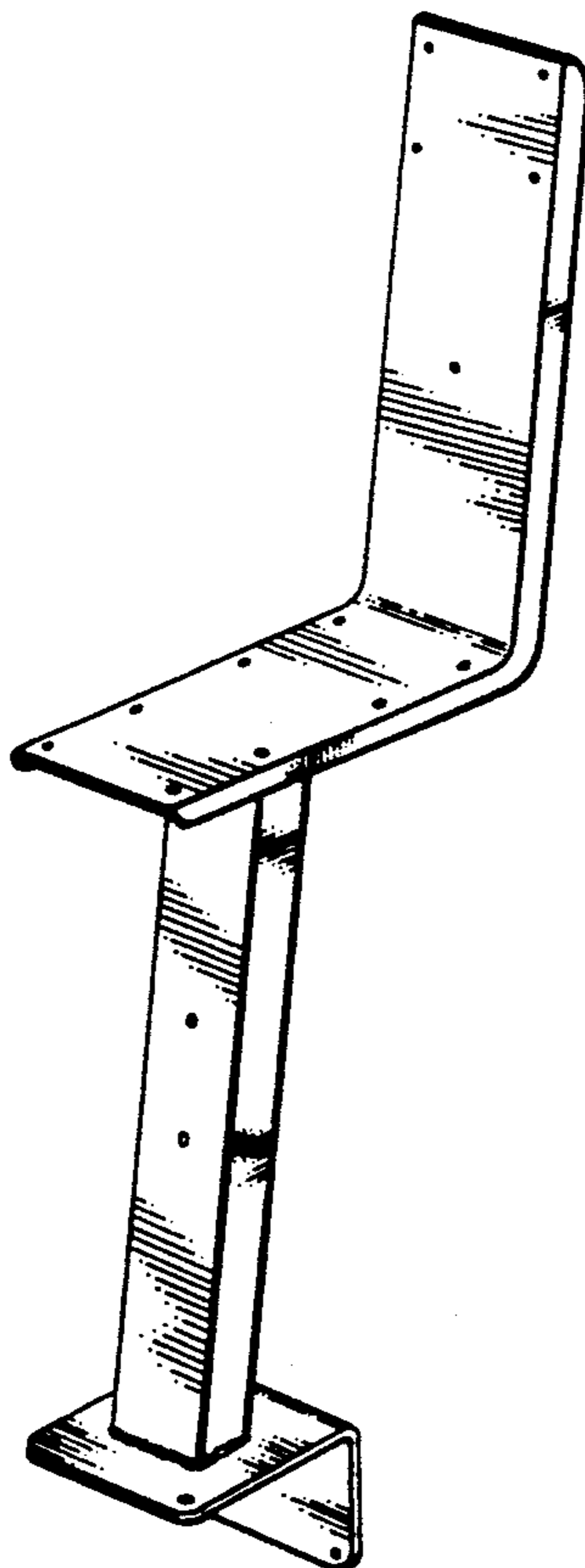


FIG.1.

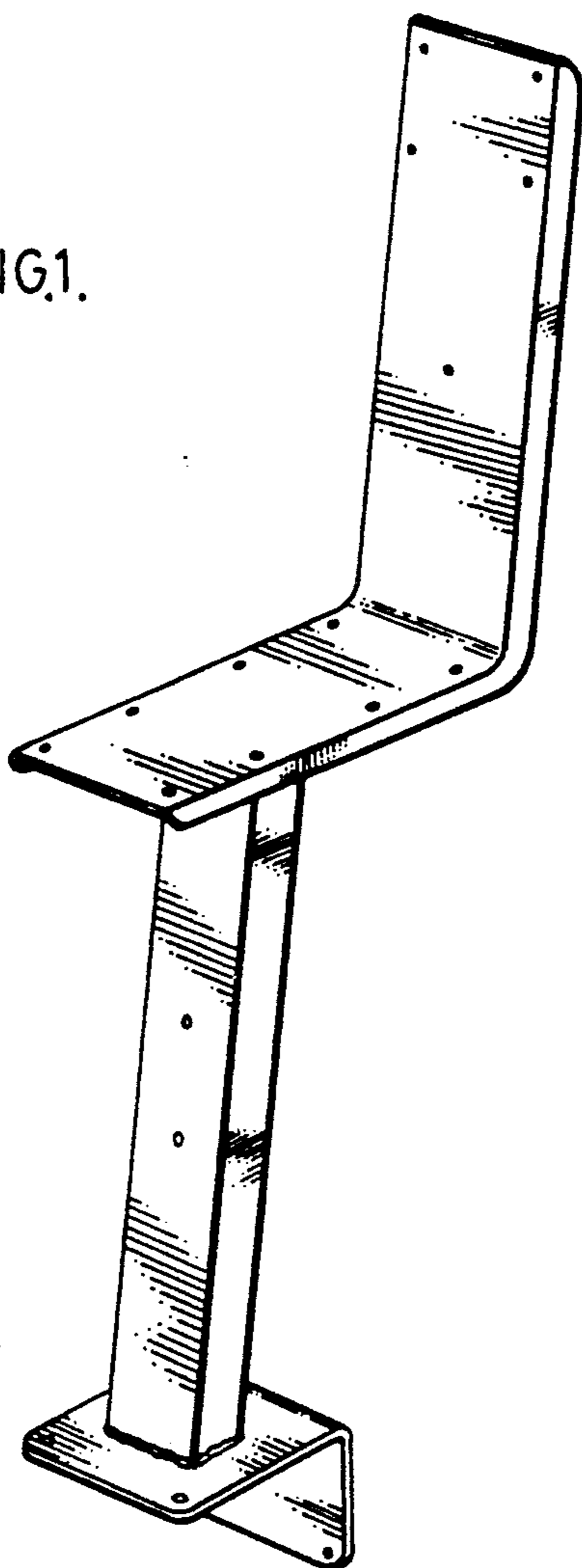


FIG.2.

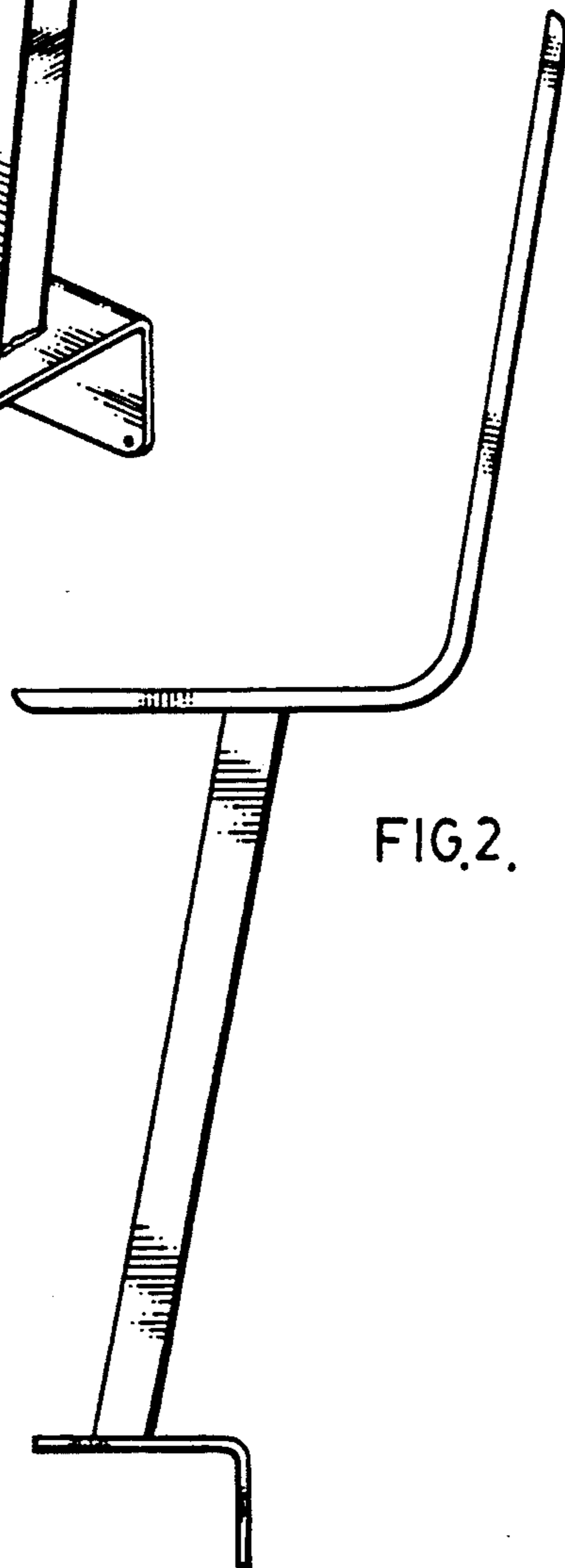


FIG.3.

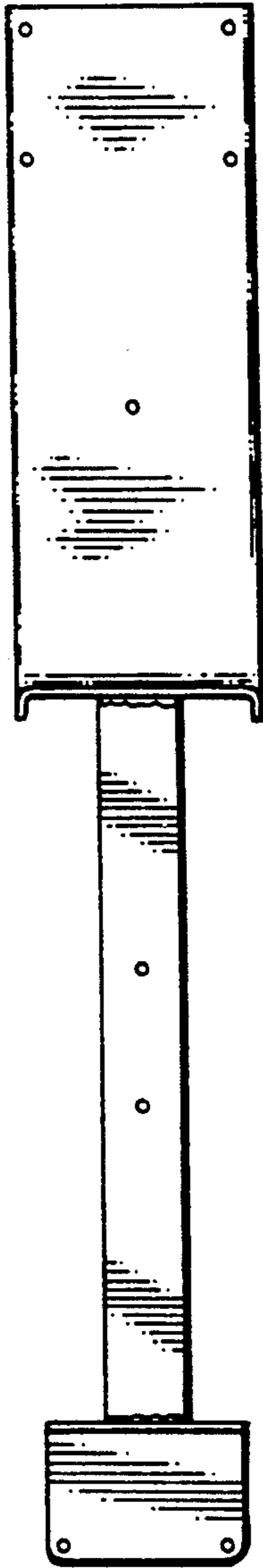


FIG.4.

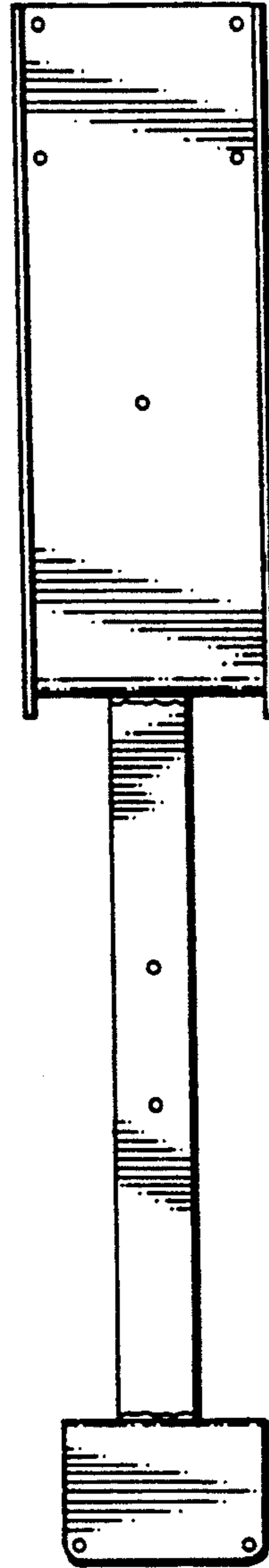
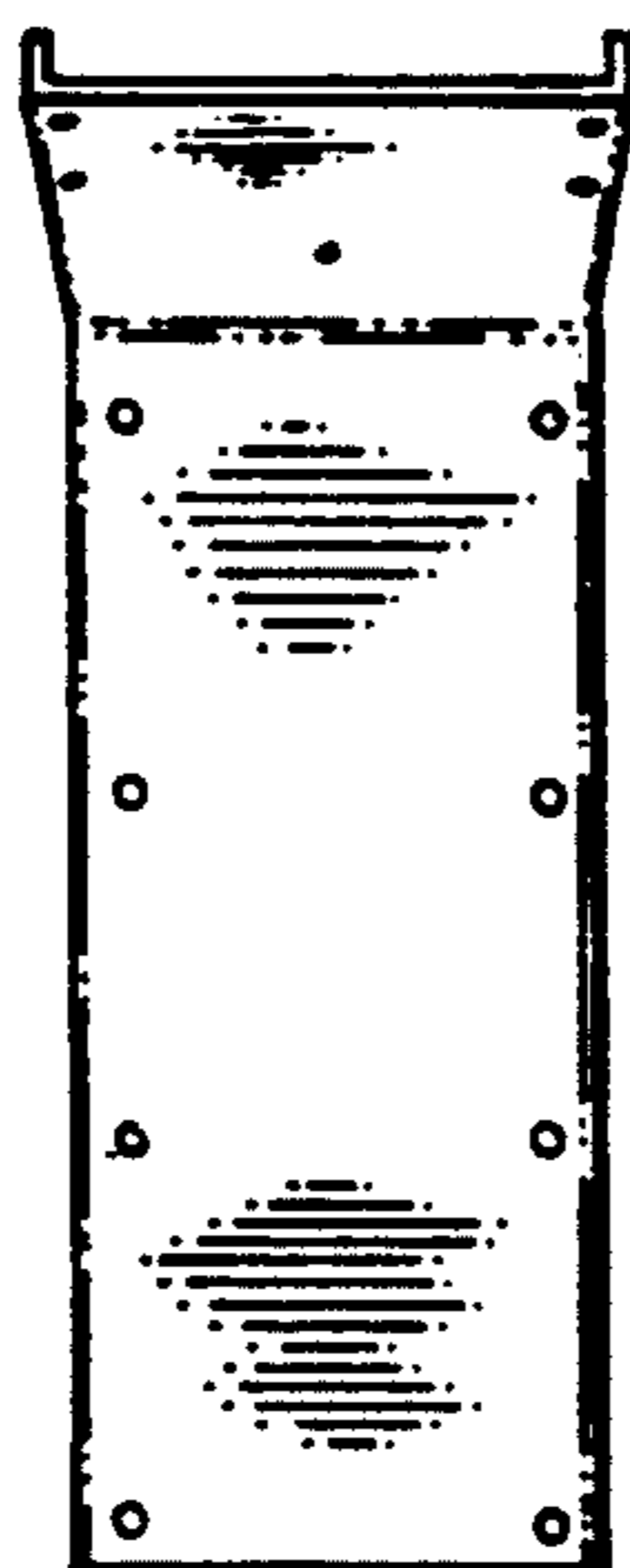


FIG.5.



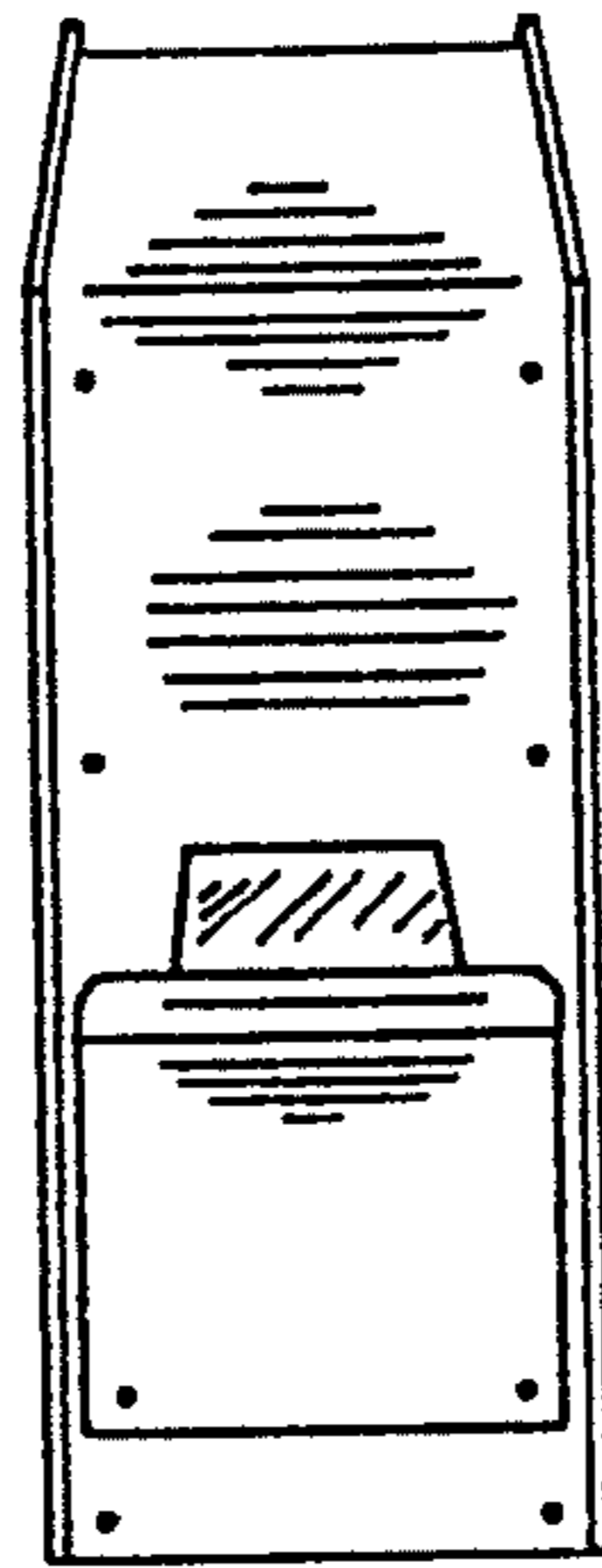


FIG. 6.