



US00D331339S

# United States Patent [19]

[11] Patent Number: **Des. 331,339**

**Keong**

[45] Date of Patent: **\*\* Dec. 1, 1992**

[54] **PRINTER TABLE**

[75] Inventor: **Yong Y. Keong**, Kuala Lumpur, Malaysia

[73] Assignee: **Artwright Marketing SDN BHD**, Kuala Lumpur, Malaysia

[\*\*] Term: **14 Years**

[21] Appl. No.: **643,653**

[22] Filed: **Jan. 16, 1991**

[30] **Foreign Application Priority Data**

Jul. 17, 1990 [GB] United Kingdom ..... 2008328

[52] U.S. Cl. .... **D6/474; D6/464; D18/59**

[58] Field of Search ..... **D6/419-428, D6/429-431, 474, 480, 487, 462-465, 475, 476, 473; D18/49, 59; D34/14, 17, 21; 312/194-196; 108/59**

[56] **References Cited**

**U.S. PATENT DOCUMENTS**

- D. 213,740 4/1969 Federman ..... D6/465 X
- D. 282,595 2/1986 Stephens ..... D6/464 X
- D. 290,020 5/1987 McCoy ..... D18/49
- D. 301,665 6/1989 Suttles ..... D6/474 X

- D. 302,980 8/1989 Ng et al. .... D6/487 X
- D. 305,710 1/1990 Ng et al. .... D6/474
- D. 307,084 4/1990 Currie ..... D6/429 X

**OTHER PUBLICATIONS**

- Global catalog, p. 88, top left.
- Global catalog, p. 49, all items.
- Global catalog, p. 35, item B.
- Inmac catalog, printer stands.

*Primary Examiner*—Carmen H. Vales-Lado  
*Assistant Examiner*—Jeffrey Asch  
*Attorney, Agent, or Firm*—Pearne, Gordon, McCoy & Granger

[57] **CLAIM**

The ornamental design for a printer table, as shown and described.

**DESCRIPTION**

FIG. 1 is a perspective view of a printer table showing my new design;  
FIG. 2 is a top plan view;  
FIG. 3 is a front elevational view;  
FIG. 4 is a right side elevational view, the left side being a mirror image thereof;  
FIG. 5 is a bottom plan view; and,  
FIG. 6 is a rear elevational view thereof.

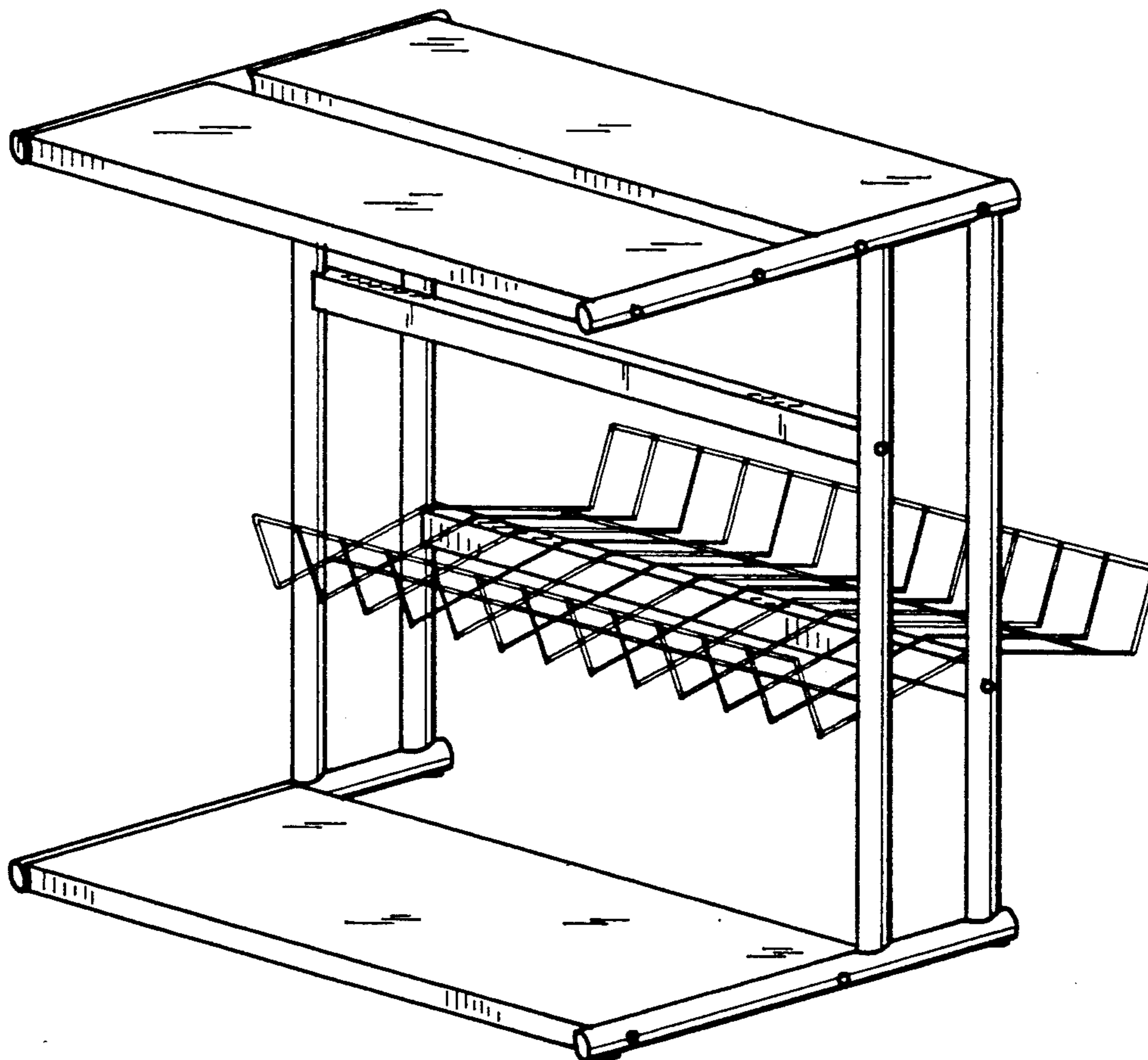


Fig. 1

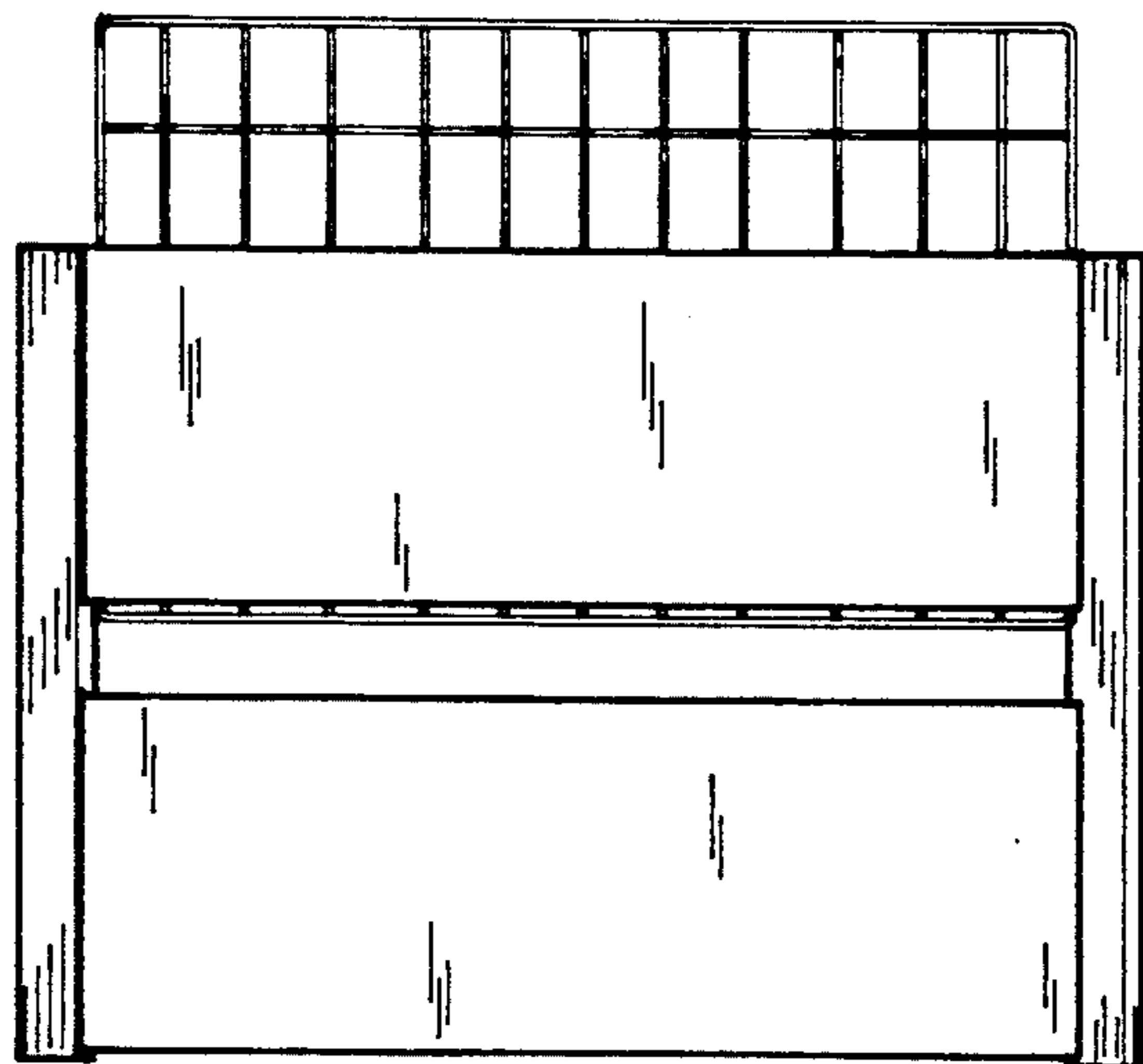
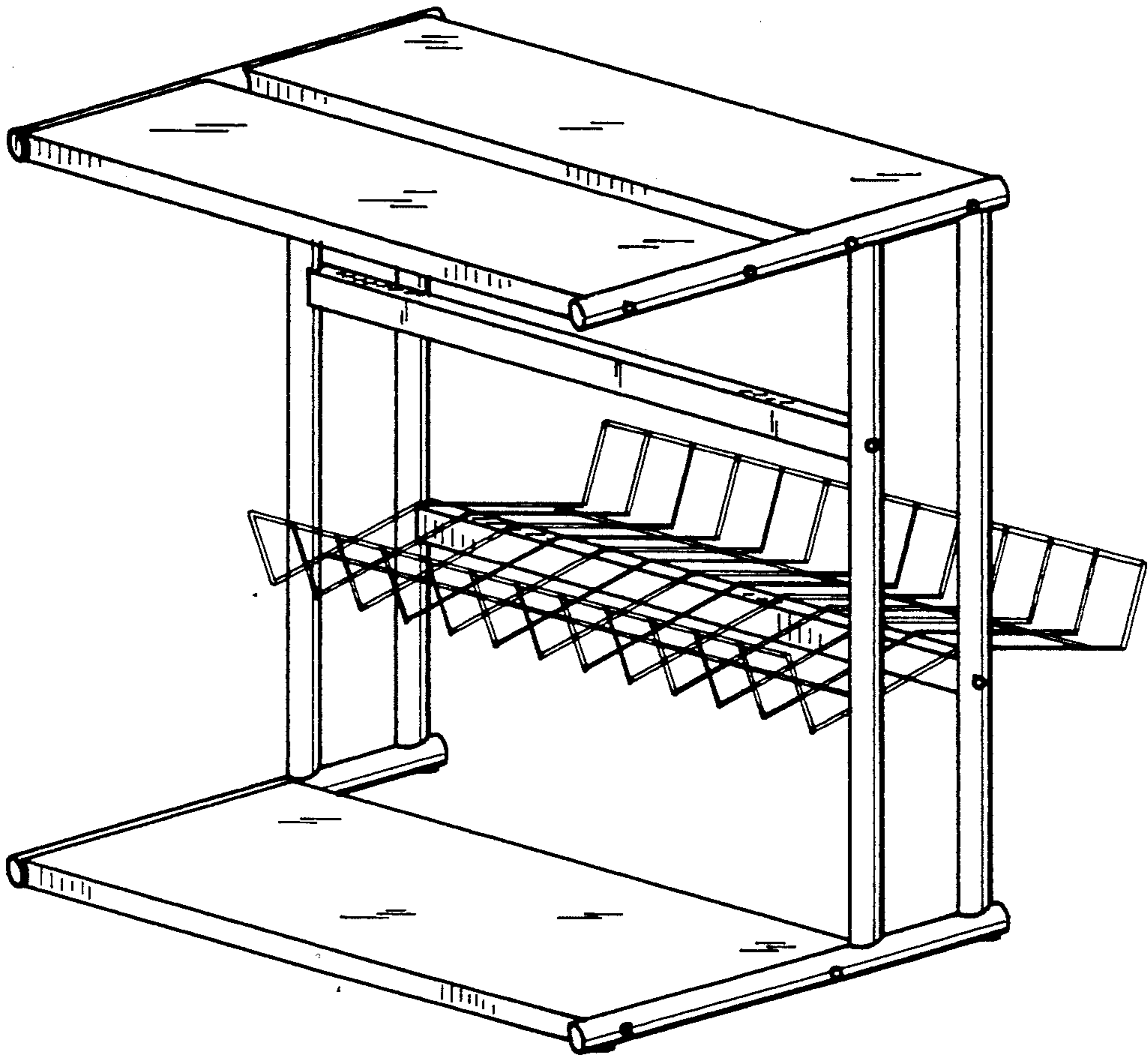


Fig. 2

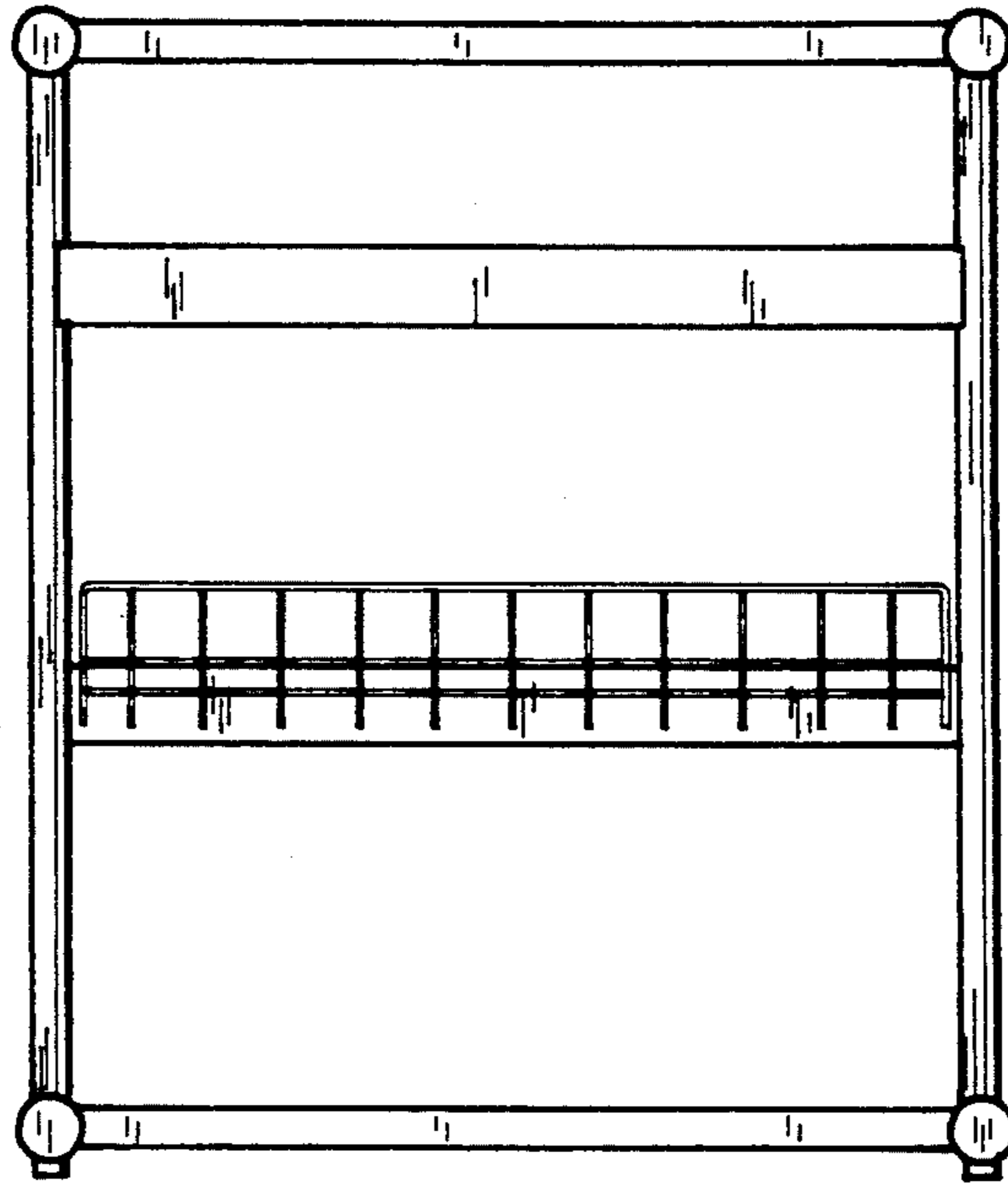


Fig. 3

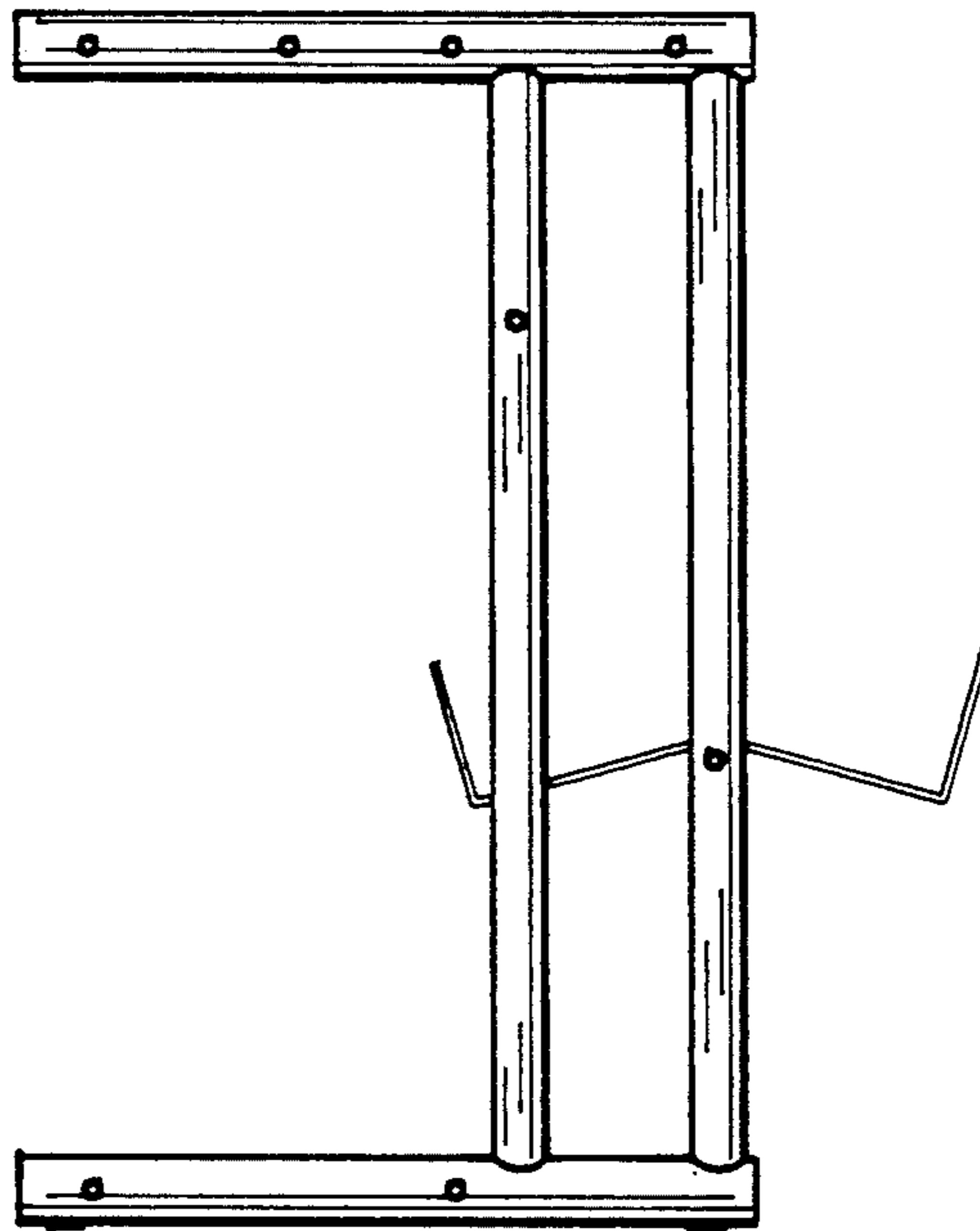


Fig. 4

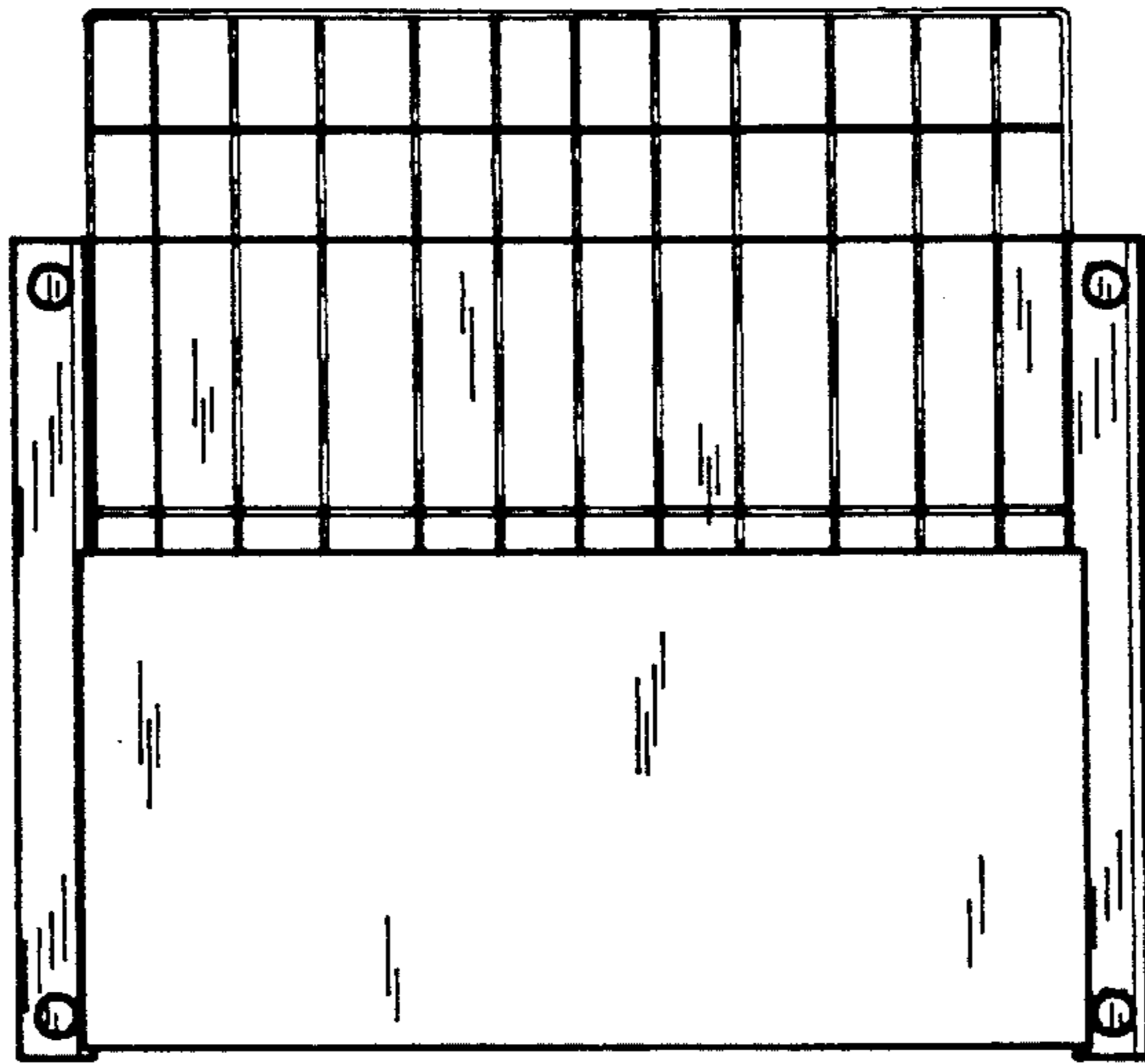


Fig. 5

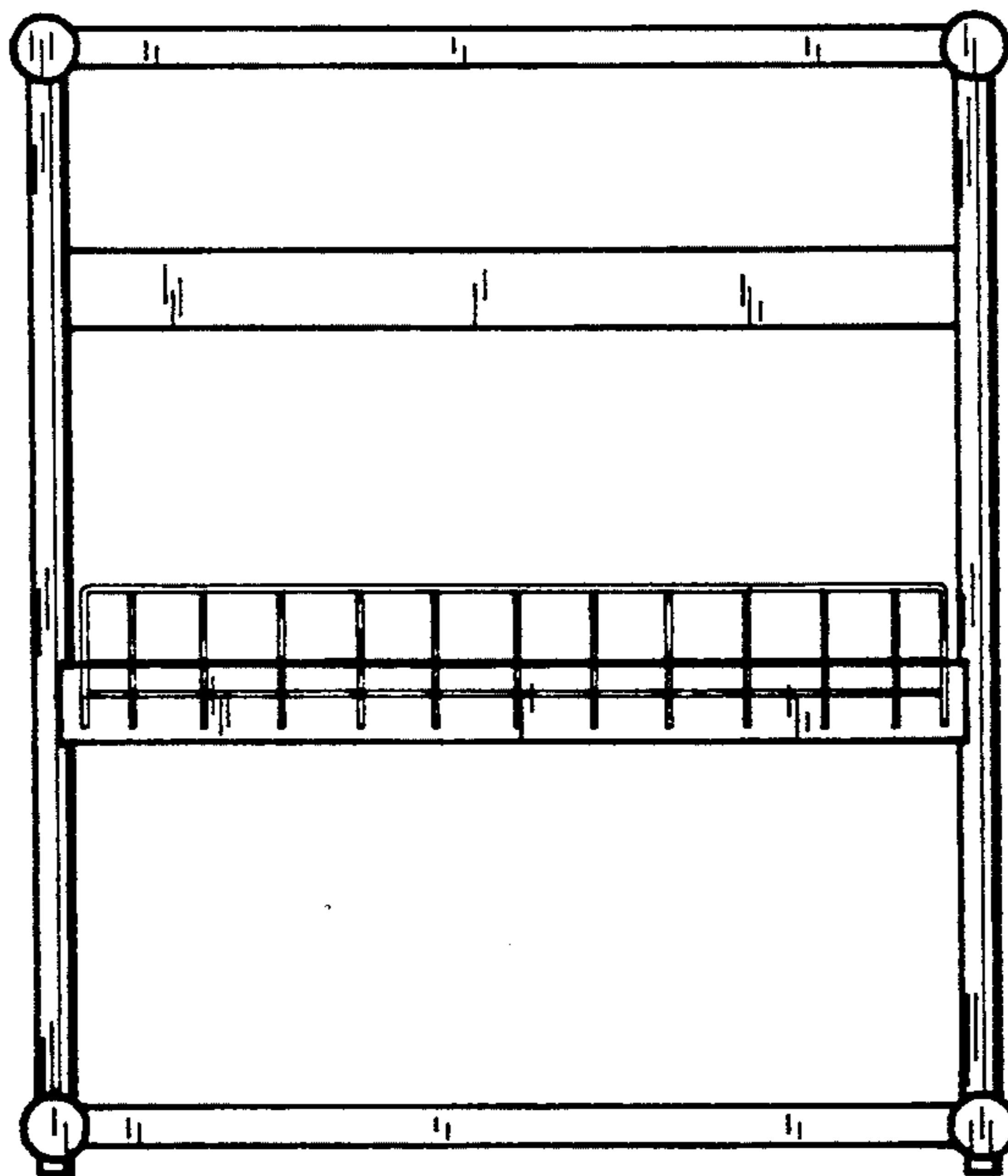


Fig. 6