



US00D331338S

United States Patent [19]

Sussman

[11] Patent Number: **Des. 331,338**

[45] Date of Patent: **** Dec. 1, 1992**

[54] **DISPLAY STAND**

[76] Inventor: **Sy Sussman, 435 Promontory Dr.
West, Newport Beach, Calif. 92661**

[**] Term: **14 Years**

[21] Appl. No.: **502,648**

[22] Filed: **Apr. 2, 1990**

[52] U.S. Cl. **D6/474; D6/449**

[58] Field of Search **D6/396, 449, 338, 310,
D6/462-465, 474, 473, 477-479, 569-574, 567,
429-431; D9/456; D25/65; 211/90, 13, 134,
135, 186, 188, 153; 108/59, 107, 111, 92**

[56] **References Cited**

U.S. PATENT DOCUMENTS

D. 151,218	10/1948	Cameron	D6/338
D. 153,373	4/1949	Metro	D6/338
D. 169,461	4/1953	Tilley	D25/65
D. 181,793	12/1957	Hansen	D25/65
D. 212,540	10/1968	Spier	D6/570
D. 248,903	8/1978	O'Connor	D6/338

D. 273,919	5/1984	Pasinski	D25/65 X
D. 278,496	4/1985	Hausman	D6/310
D. 283,323	4/1986	Cervero	D6/429 X
D. 298,413	11/1988	Raudat	D9/456
3,113,356	12/1963	Piper	D6/479 X

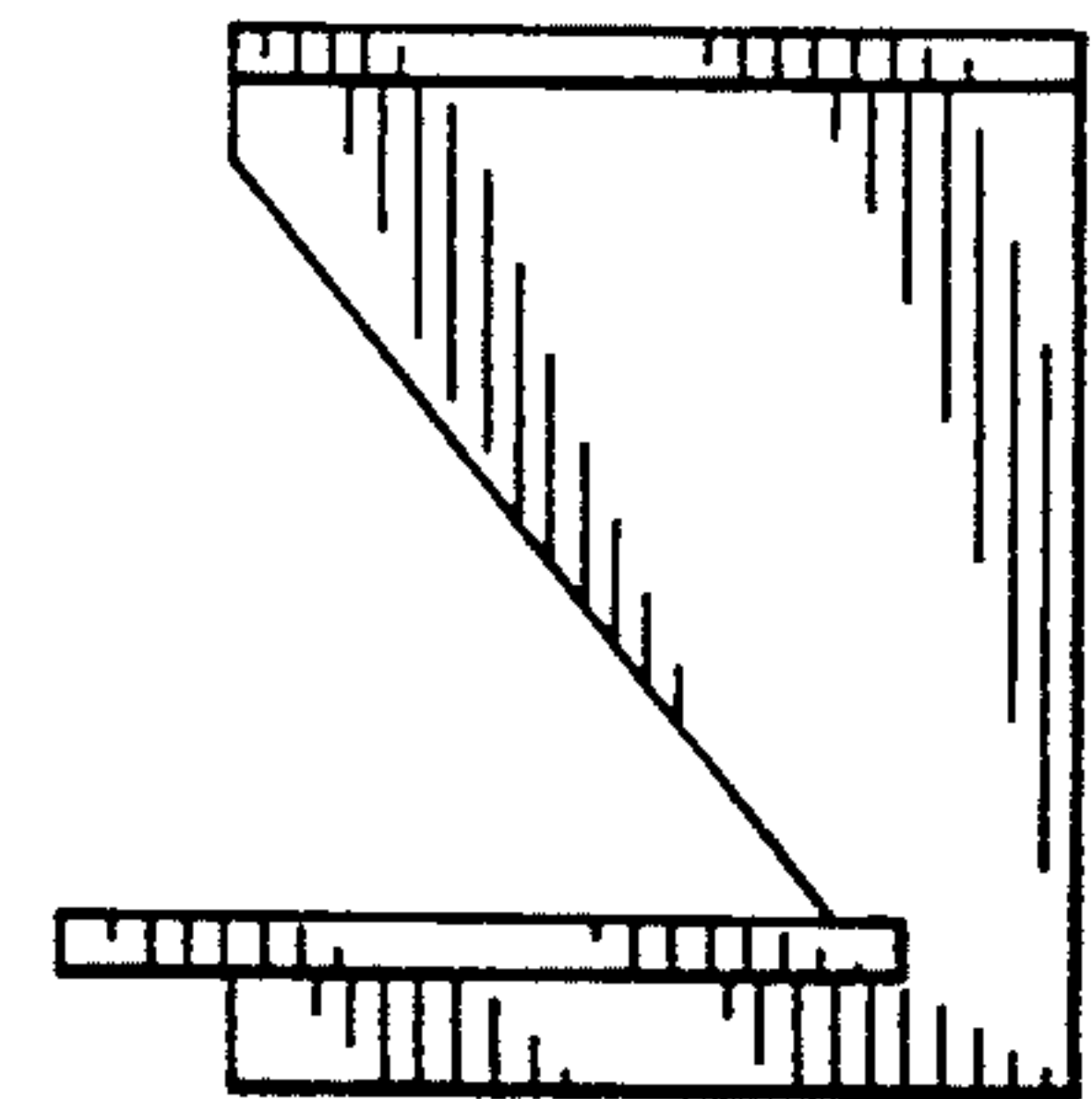
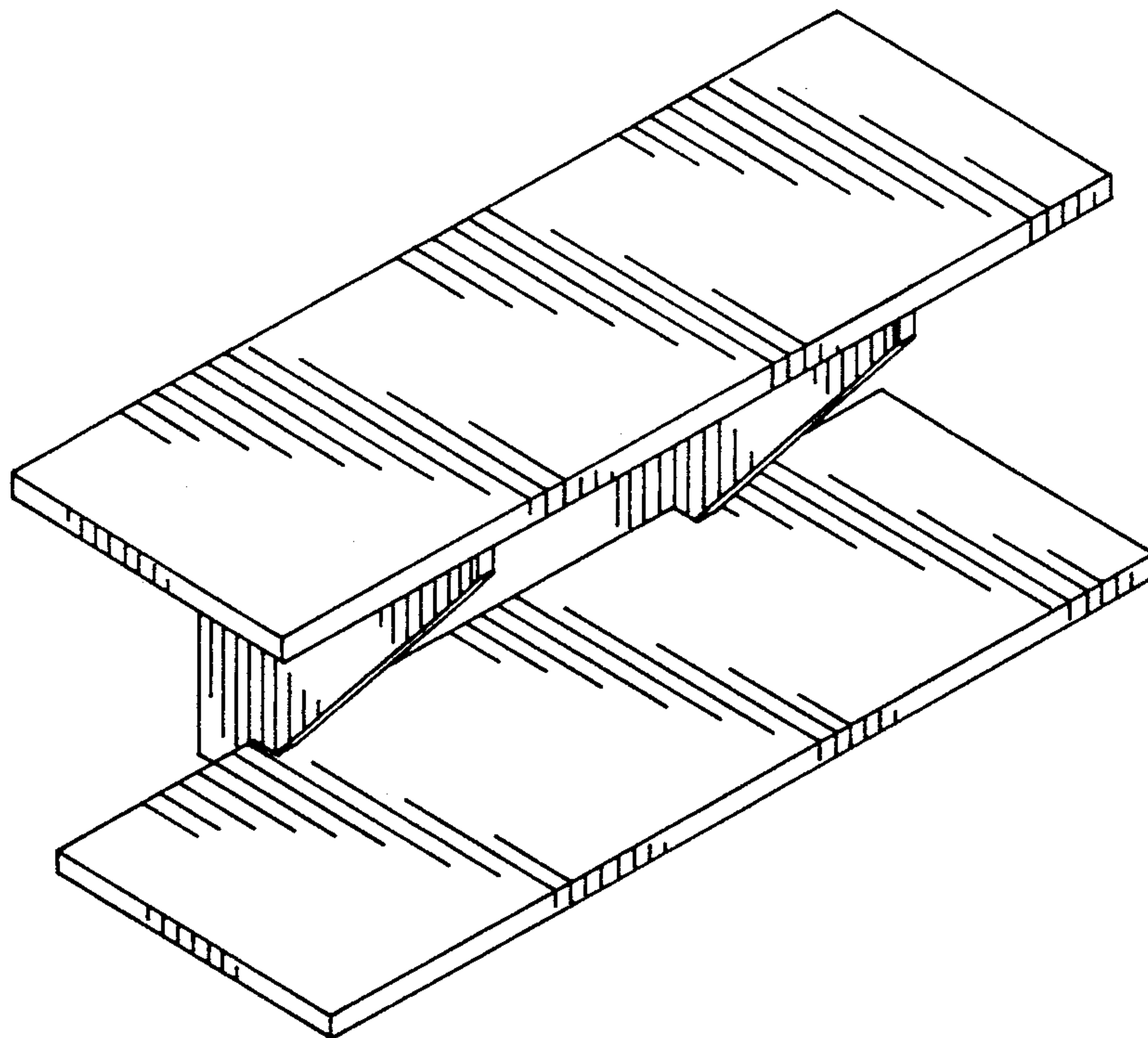
Primary Examiner—Carmen H. Vales-Lado
Assistant Examiner—Jeffrey Asch
Attorney, Agent, or Firm—Hawes & Fischer

[57] **CLAIM**

The ornamental design for a display stand, as shown and described.

DESCRIPTION

FIG. 1 is a top, front, and left side perspective view of a display stand showing my new design;
FIG. 2 is a top, plan view thereof;
FIG. 3 is a bottom, plan view thereof;
FIG. 4 is a front, elevational view thereof;
FIG. 5 is a rear, elevational view thereof; and
FIG. 6 is a right side elevational view, the left side being a mirror image thereof.



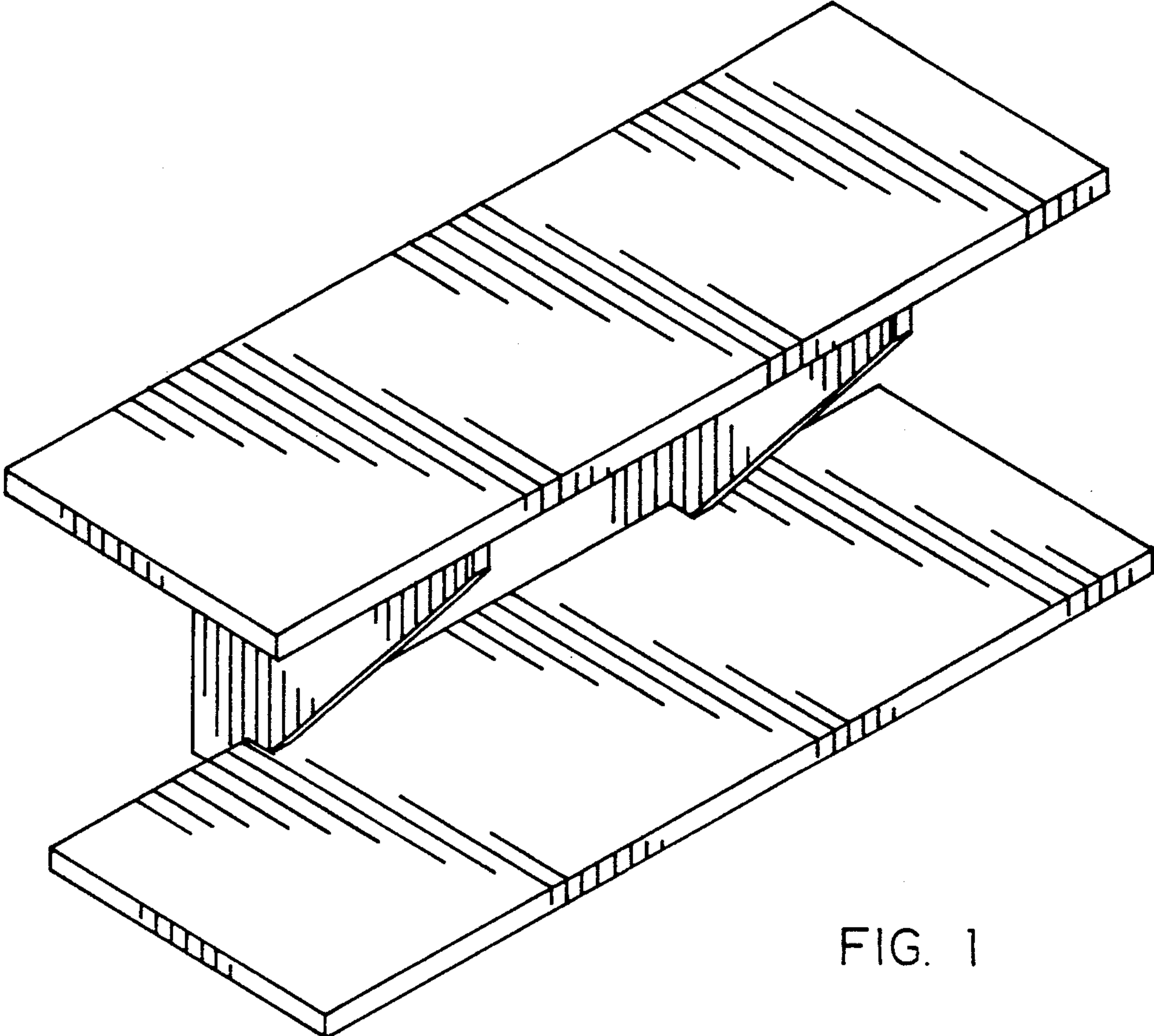


FIG. 1

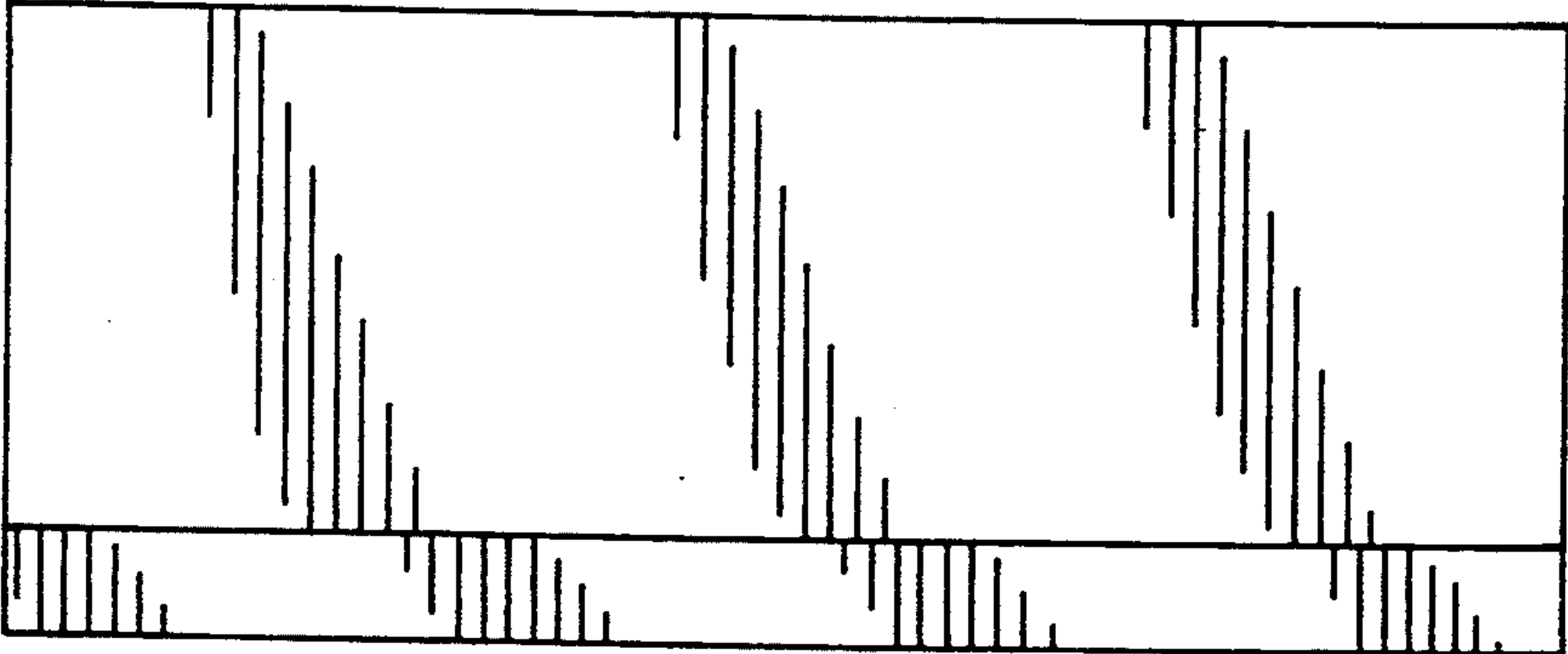


FIG. 2

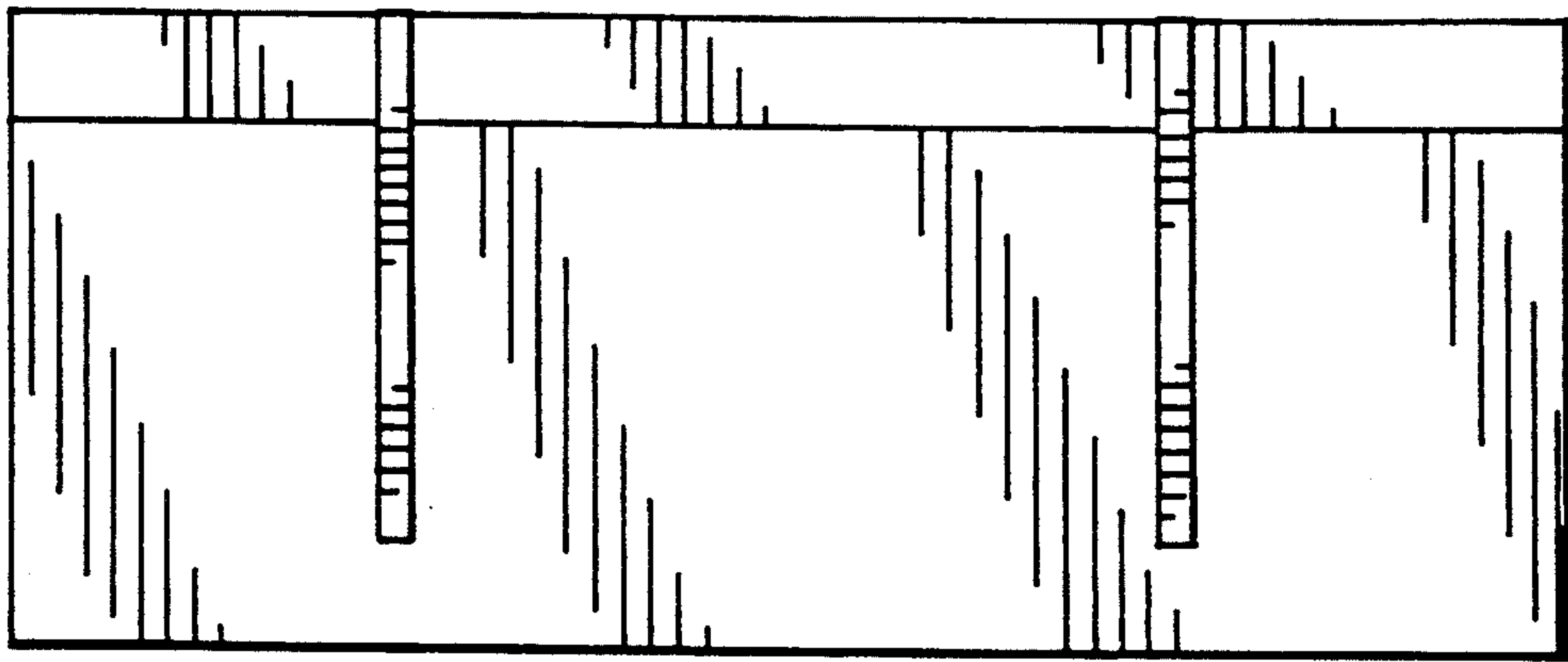


FIG. 3

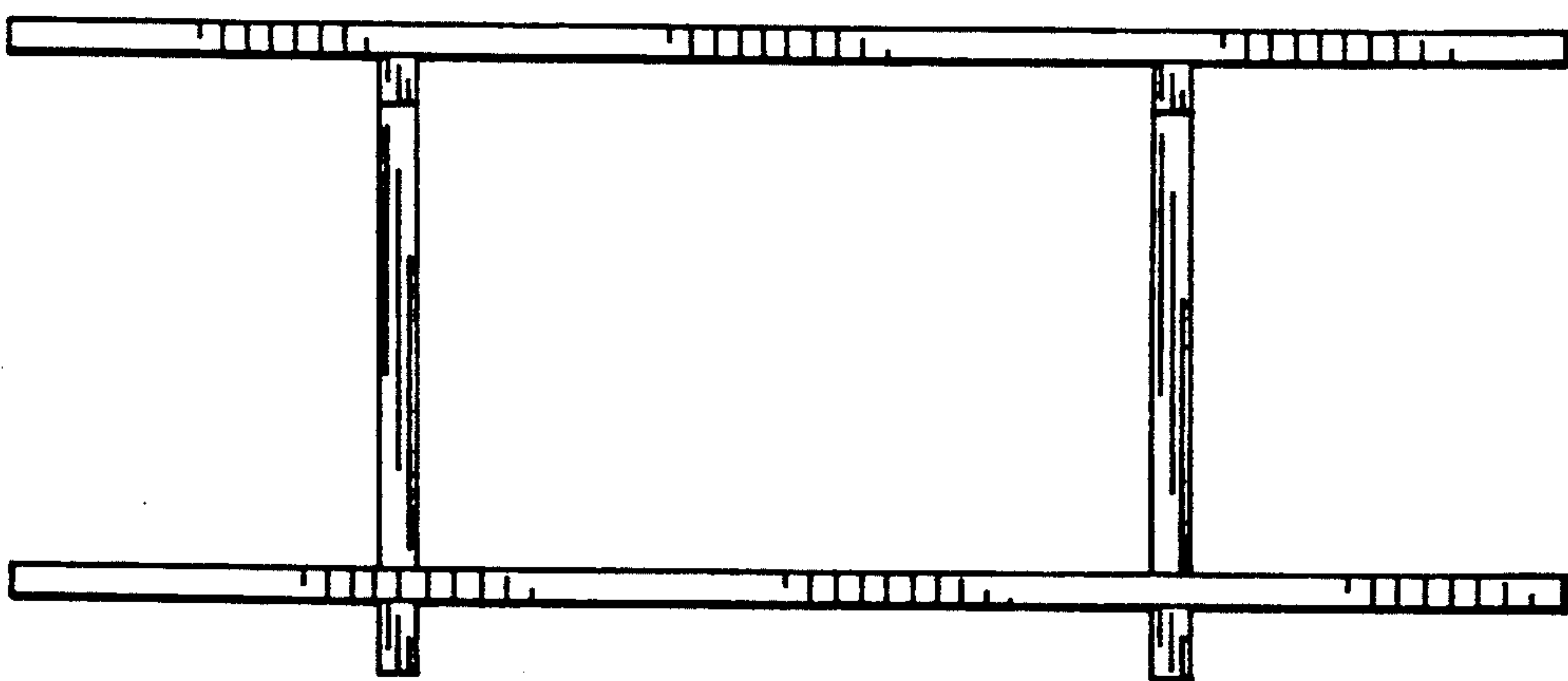


FIG. 4

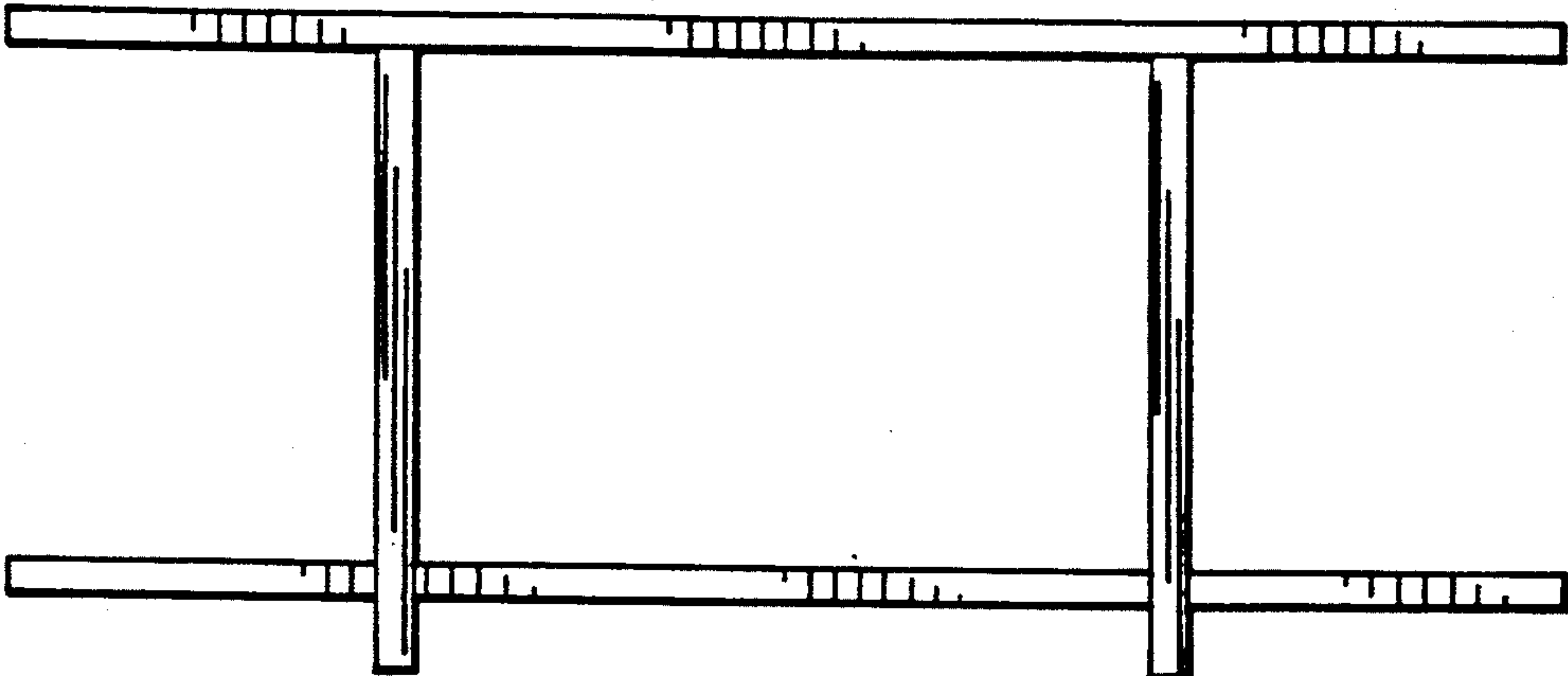


FIG. 5

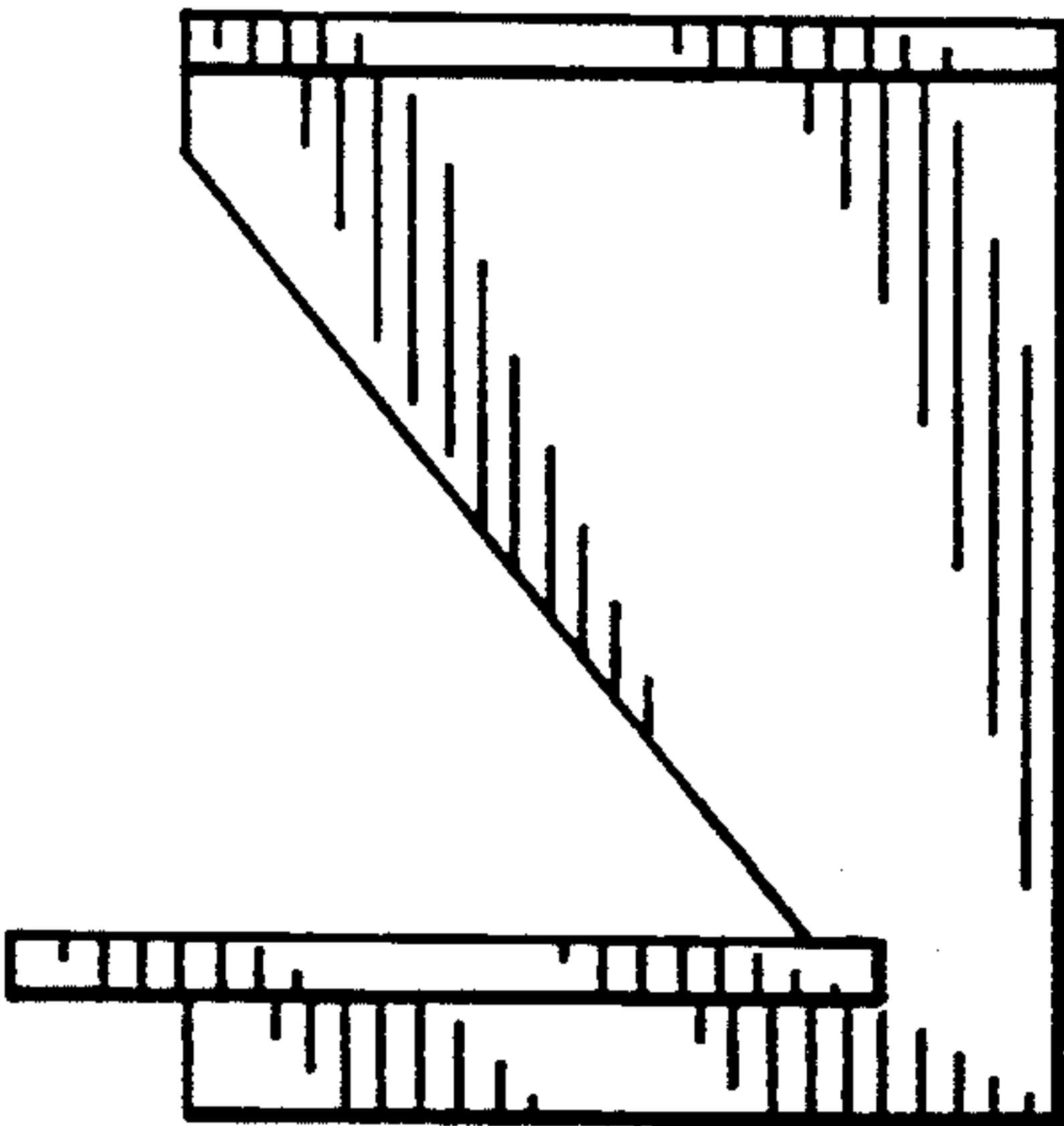


FIG. 6