



US00D331336S

United States Patent [19]

[11] Patent Number: **Des. 331,336**

Keong

[45] Date of Patent: **** Dec. 1, 1992**

[54] **PRINTER TABLE**

[75] Inventor: **Yong Y. Keong**, Kuala Lumpur, Malaysia

[73] Assignee: **Artwright Marketing SDN BHD**, Kuala Lumpur, Malaysia

[**] Term: **14 Years**

[21] Appl. No.: **642,240**

[22] Filed: **Jan. 16, 1991**

[30] **Foreign Application Priority Data**

Jul. 17, 1990 [GB] United Kingdom 2008326

[52] U.S. Cl. **D6/464; D6/463; D6/474; D18/59**

[58] Field of Search **D6/419-428, D6/429-431, 474, 480, 487, 473, 462-465, 475, 476; D18/49, 59; D34/14, 17, 21; 312/194-196; 108/59**

[56] **References Cited**

U.S. PATENT DOCUMENTS

- D. 213,740 4/1969 Federman D6/465 X
- D. 282,595 2/1986 Stephens D6/464 X
- D. 290,020 5/1987 McCoy D18/49
- D. 301,665 6/1989 Suttles D6/474 X

- D. 302,980 8/1989 Ng et al. D6/487 X
- D. 305,710 1/1990 Ng et al. D6/474
- D. 307,084 4/1990 Currie D6/429 X

OTHER PUBLICATIONS

Global catalog, p. 88, top left.
Global catalog, p. 49, all items.
Global catalog, ©1987, p. 35, item B.
Inmac catalog, printer stands.

Primary Examiner—Carmen H. Vales-Lado
Assistant Examiner—Jeffrey Asch
Attorney, Agent, or Firm—Pearne, Gordon, McCoy & Granger

[57] **CLAIM**

The ornamental design for a printer table, as shown and described.

DESCRIPTION

FIG. 1 is a perspective view of a printer table showing my new design;
FIG. 2 is a top plan view;
FIG. 3 is a front elevational view;
FIG. 4 is a right side elevational view, the left side being a mirror image thereof;
FIG. 5 is a bottom plan view; and,
FIG. 6 is a rear elevational view thereof.

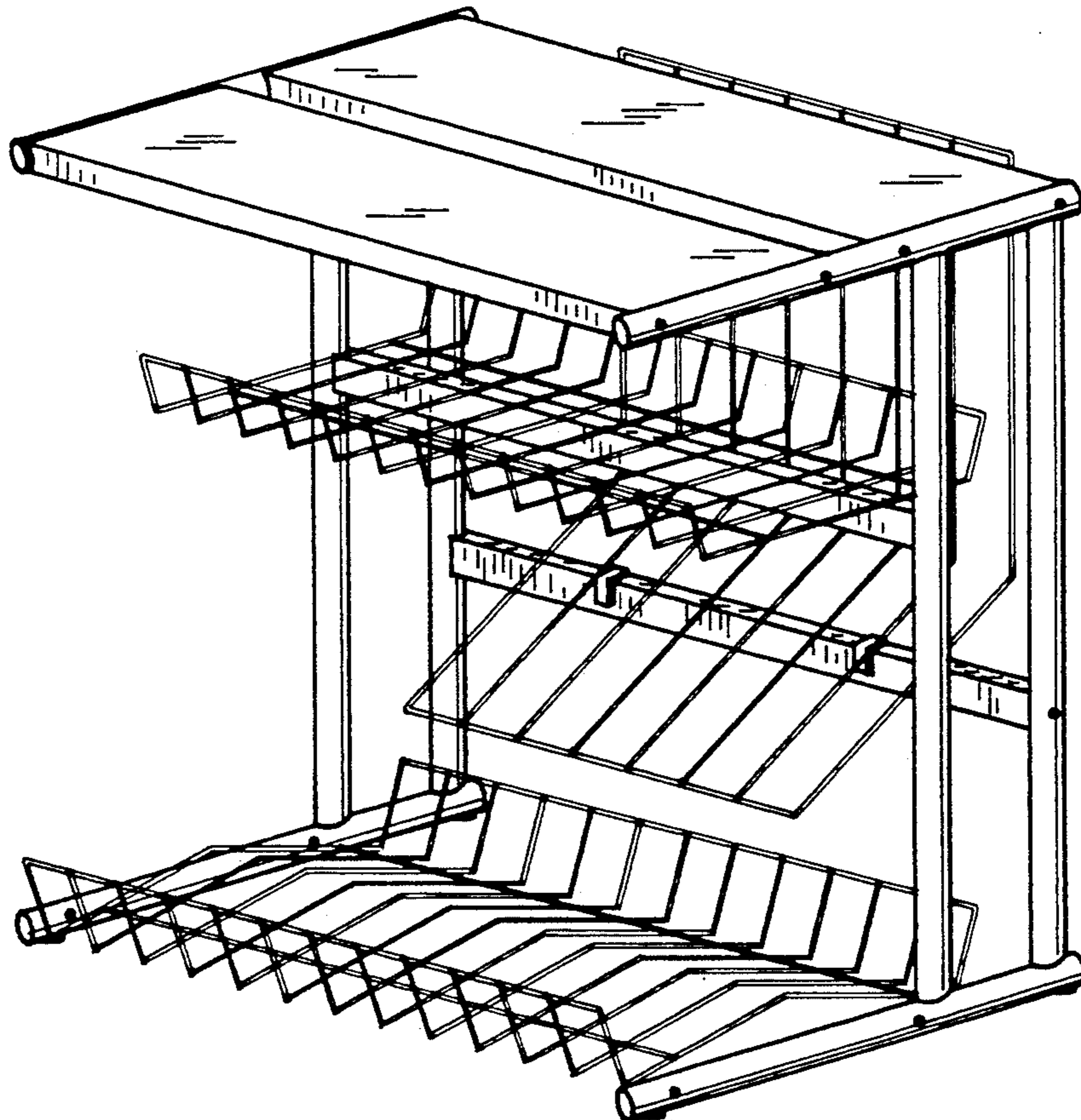


Fig. 1

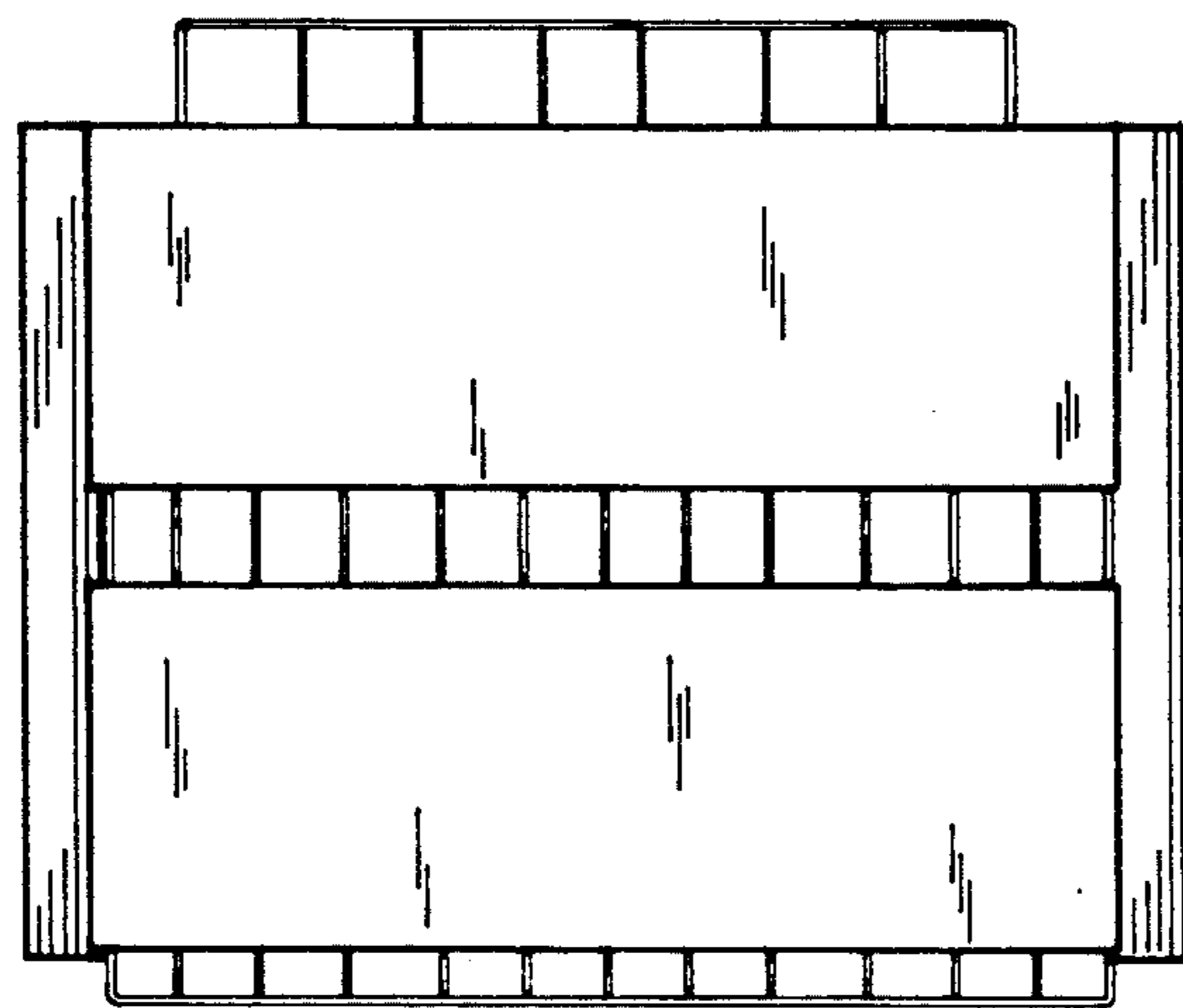
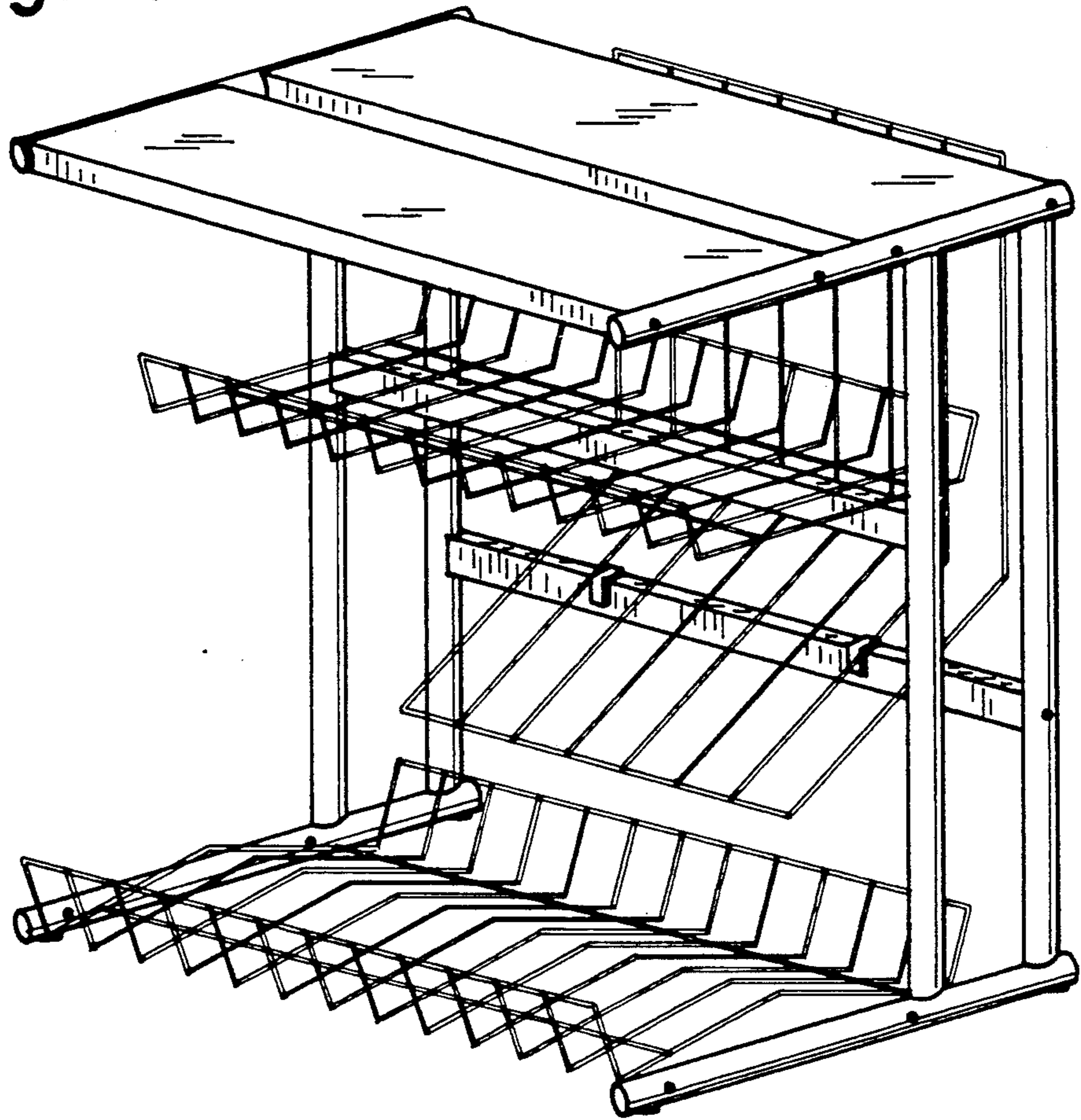


Fig. 2

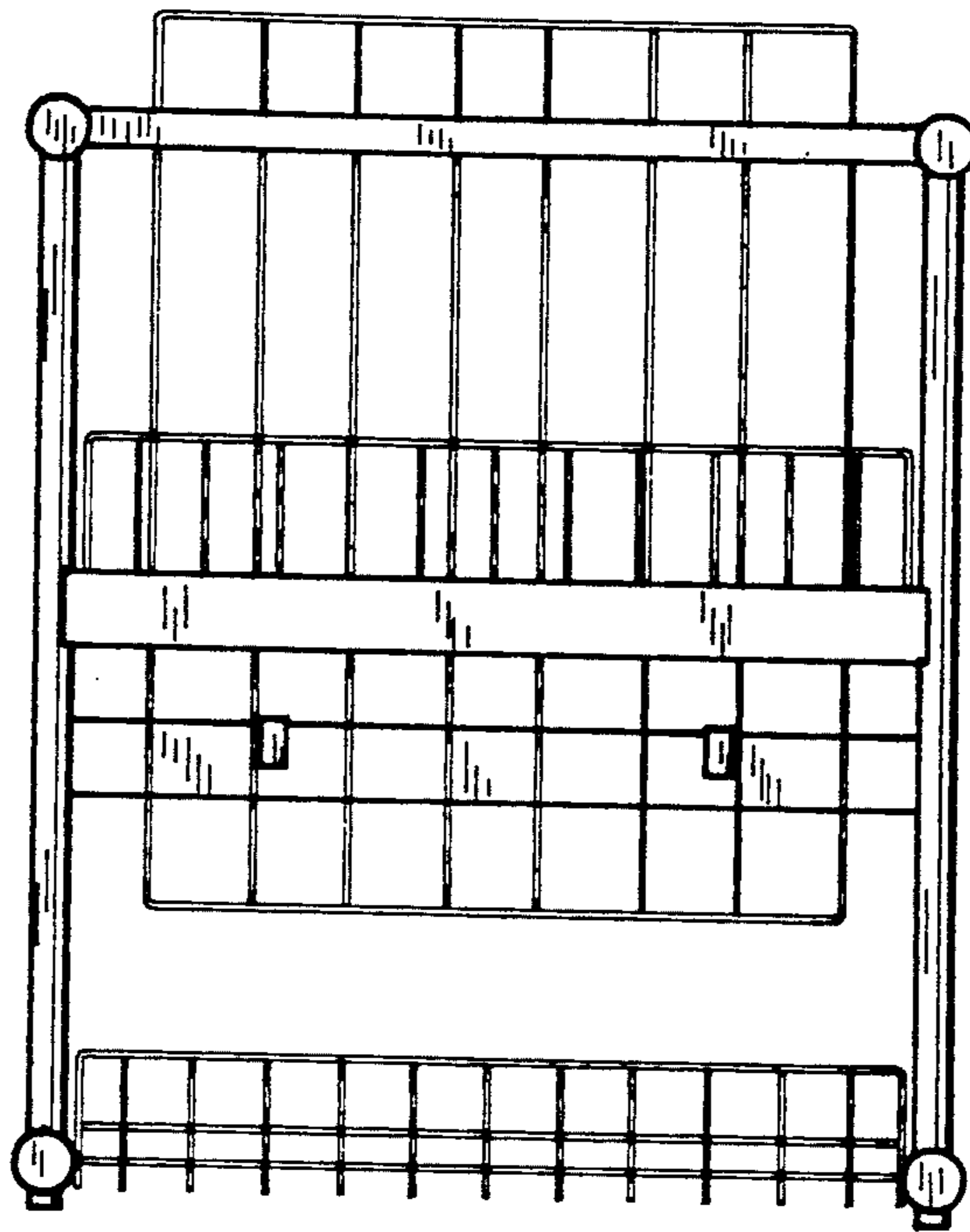


Fig. 3

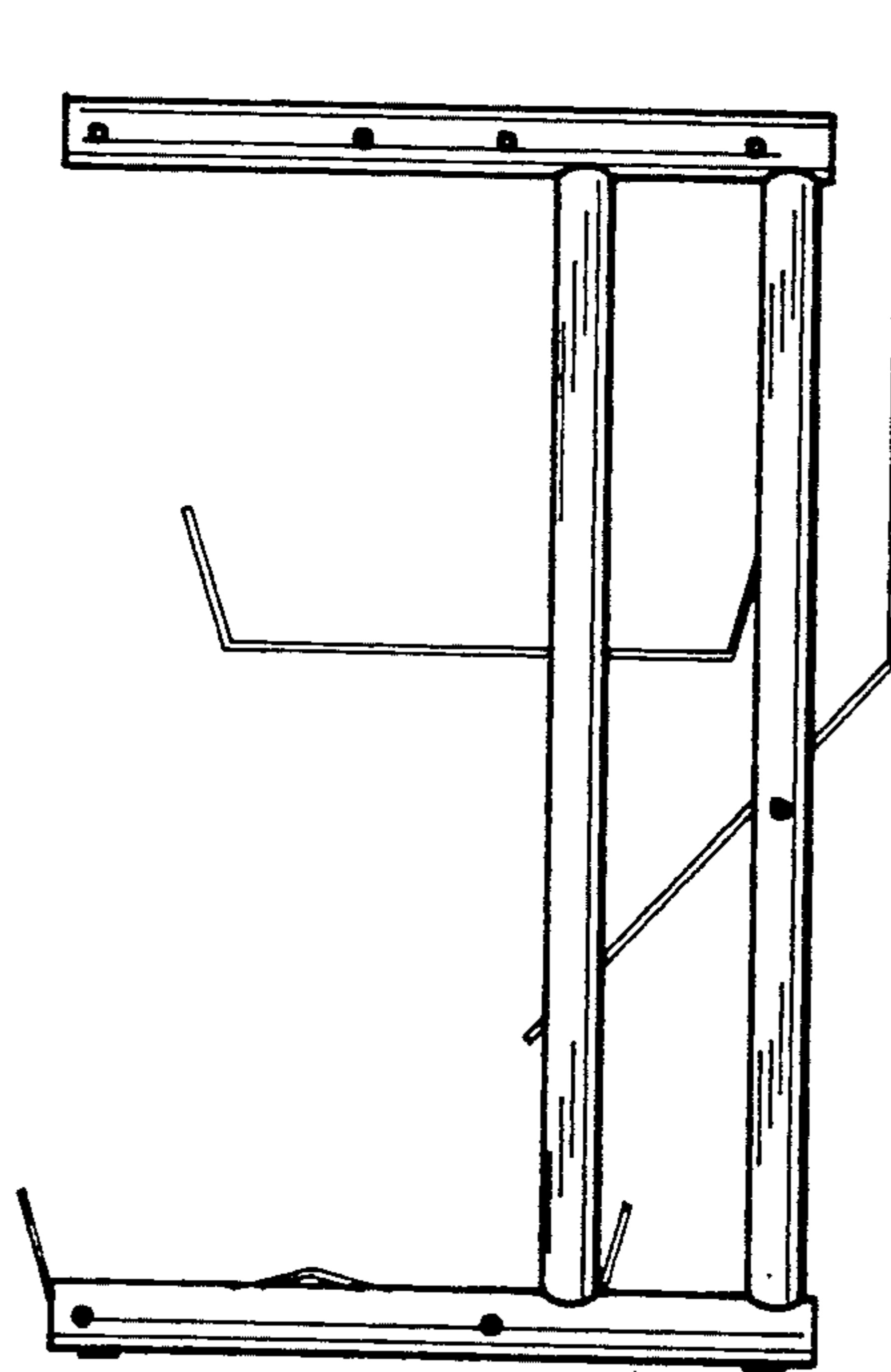


Fig. 4

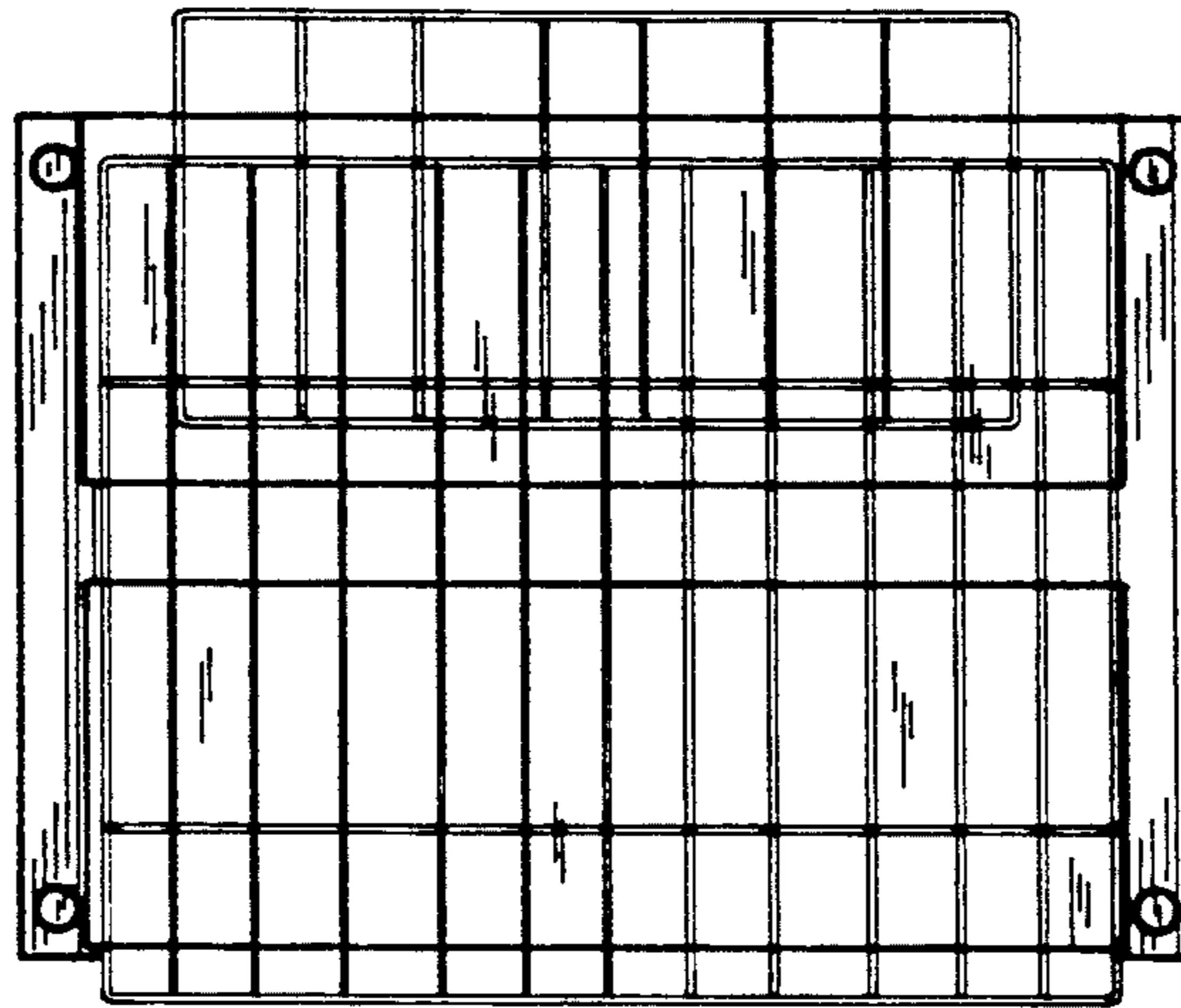


Fig. 5

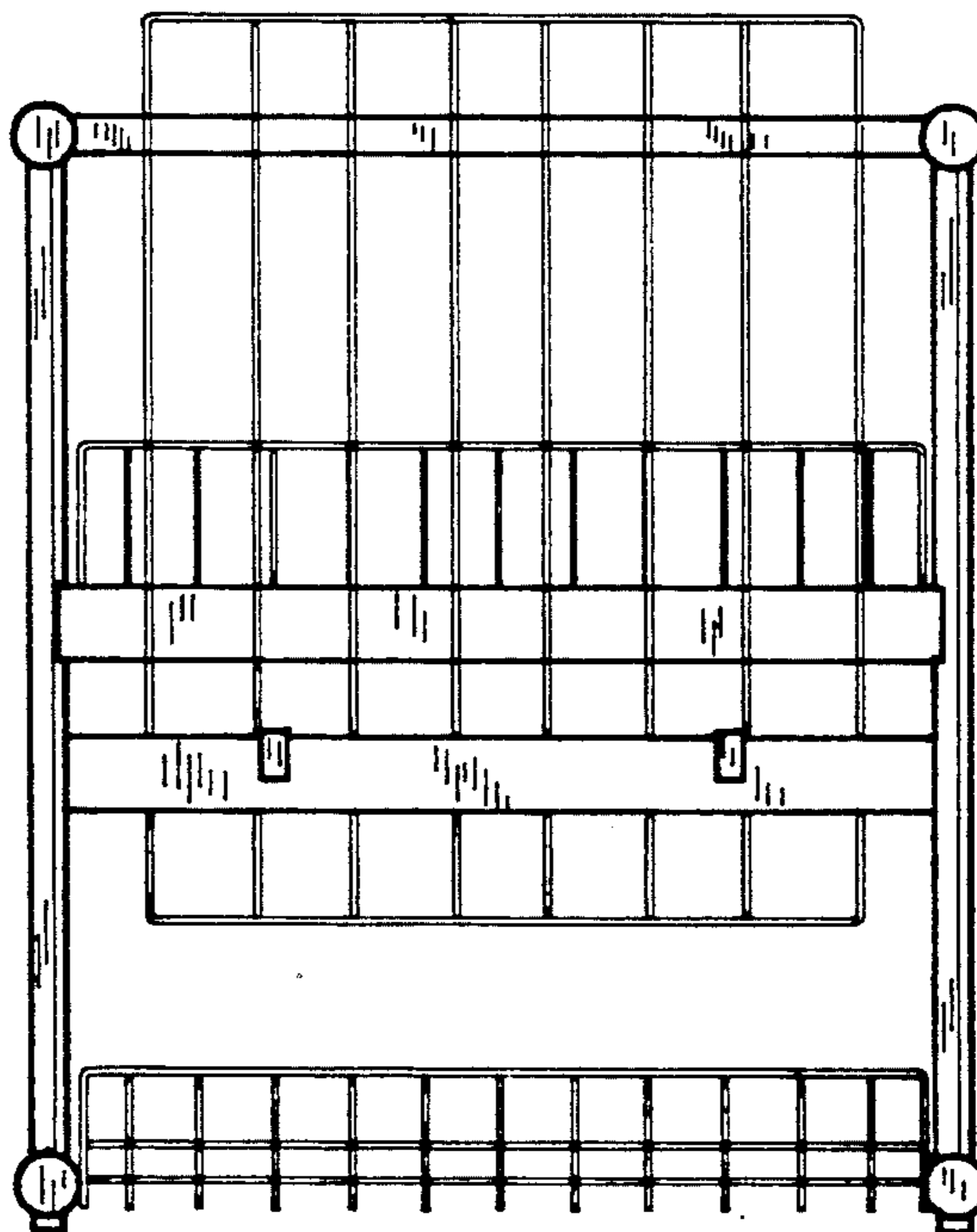


Fig. 6