



US00D331334S

# United States Patent [19] Hollington

[11] Patent Number: **Des. 331,334**  
[45] Date of Patent: **\*\* Dec. 1, 1992**

[54] **STORAGE CABINET**

[75] Inventor: **Geoffrey A. Hollington**, London, England

[73] Assignee: **Herman Miller, Inc.**, Zeeland, Mich.

[\*\*] Term: **14 Years**

[21] Appl. No.: **495,298**

[22] Filed: **Mar. 19, 1990**

[52] U.S. Cl. .... **D6/440; D6/430**

[58] Field of Search ..... **D6/429-431, D6/432-448, 420; D34/19, 20; 312/204, 208, 250**

4,643,494 2/1987 Marleau .  
4,669,790 6/1987 Briggs ..... 312/208  
4,893,885 1/1990 Borello ..... 312/250

**OTHER PUBLICATIONS**

*Global Cat. U88* ©1987 p. 21; Mobile Cabinet on far right bottom cabinet.

*Primary Examiner*—Carmen H. Vales-Lado  
*Attorney, Agent, or Firm*—Varnum, Riddering, Schmidt & Howlett

[57] **CLAIM**

The ornamental design for a storage cabinet, as shown and described.

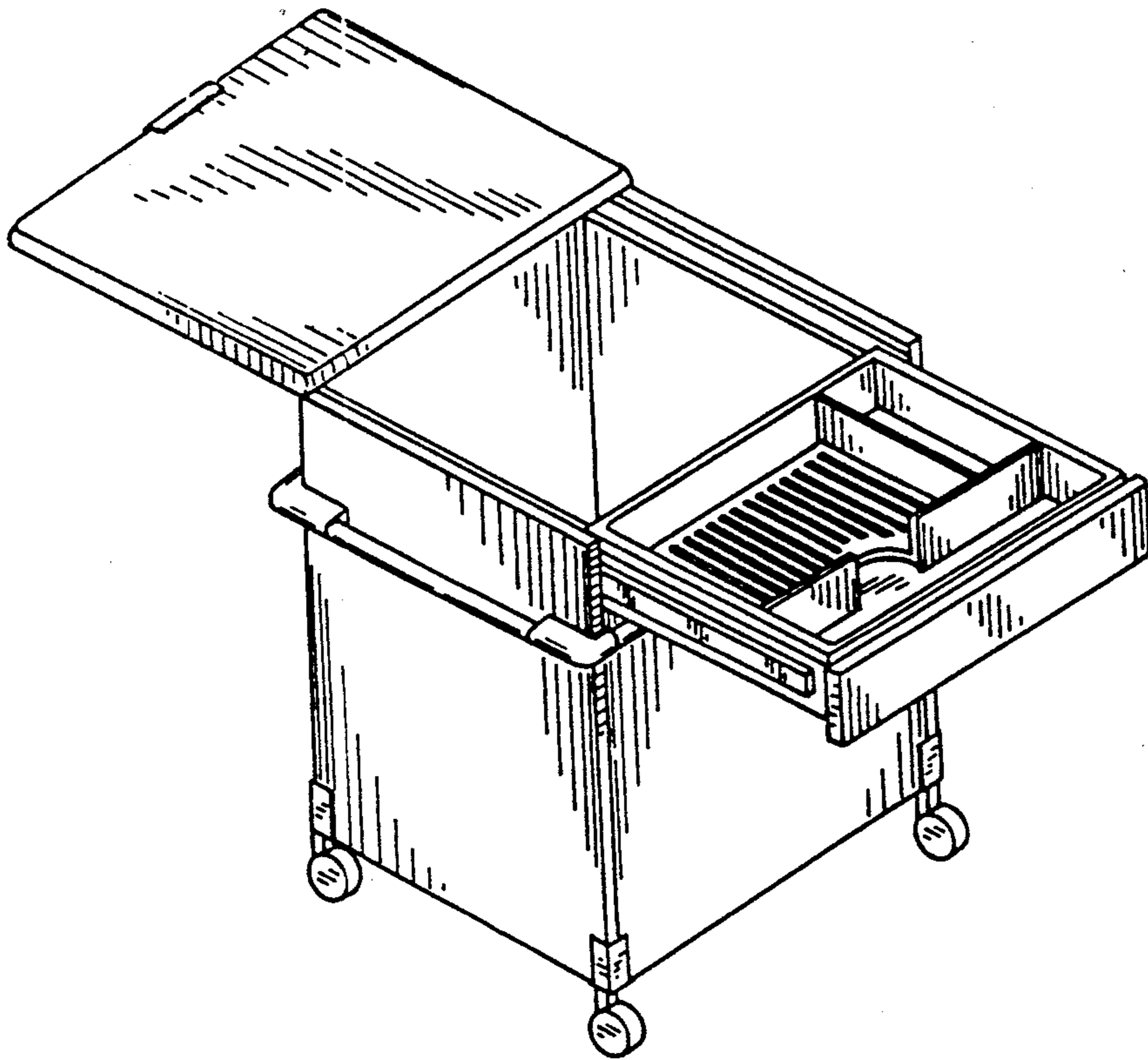
**DESCRIPTION**

FIG. 1 is a perspective view of a storage cabinet showing my new design;  
FIG. 2 is a front elevational view;  
FIG. 3 is a right side elevational view;  
FIG. 4 is a left side elevational view;  
FIG. 5 is a rear elevational view;  
FIG. 6 is a top plan view;  
FIG. 7 is a bottom plan view;  
FIG. 8 is a perspective view of the storage cabinet with the top and drawer in open condition;  
FIG. 9 is a front elevational view;  
FIG. 10 is a right side elevational view;  
FIG. 11 is a left side elevational view;  
FIG. 12 is a rear elevational view;  
FIG. 13 is a top plan view; and,  
FIG. 14 is a bottom plan view.

[56] **References Cited**

**U.S. PATENT DOCUMENTS**

D. 137,977	5/1944	Baunach .....	D34/20
D. 239,490	4/1976	Pellegrini .....	D34/20
D. 255,738	7/1980	Tome . . .	
D. 265,434	7/1982	Phillips .....	D34/19
D. 289,474	4/1987	Underwood et al. ....	D6/420
315,108	4/1885	Bailey .	
422,833	3/1890	Post .	
772,326	10/1904	Allin .	
2,260,586	10/1941	Sheldon .	
2,328,019	8/1943	Jones .	
2,449,433	9/1948	Wheelock .	
2,614,017	10/1952	Mugnier .	
3,331,647	7/1967	Struebin et al. .	
3,531,012	9/1970	Bergh et al. .	
3,868,154	2/1975	MacDonald et al. .	



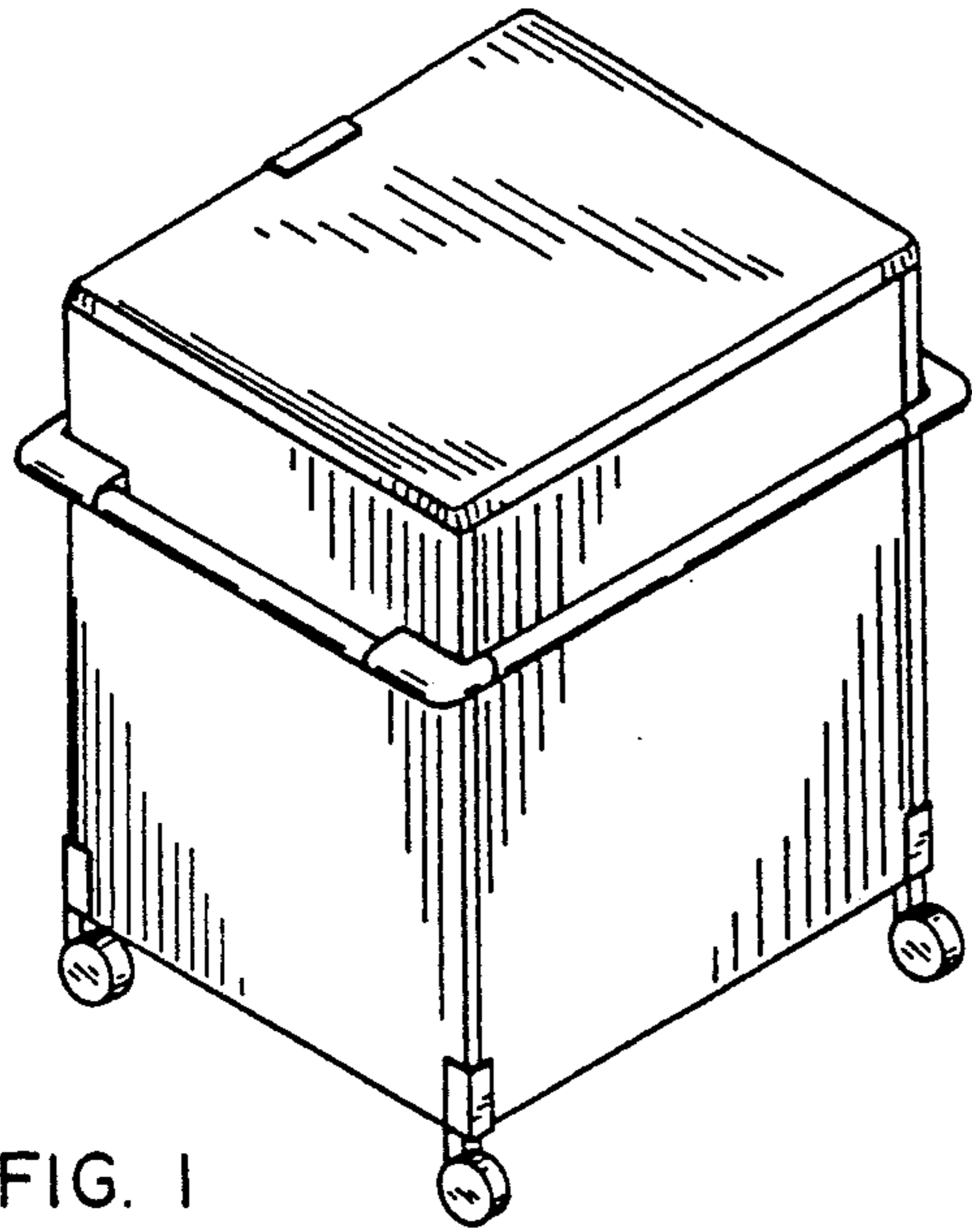


FIG. 1

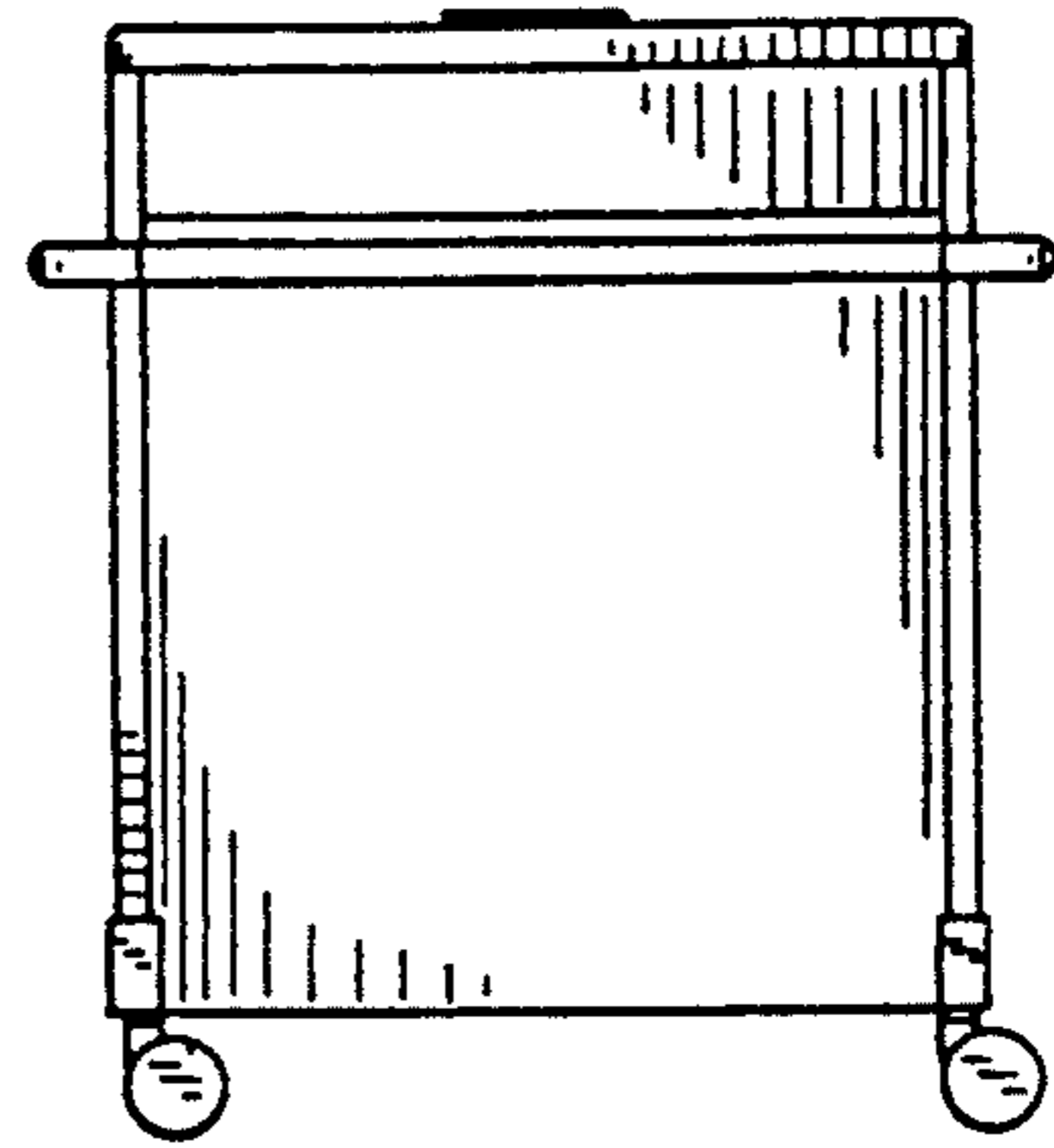


FIG. 2

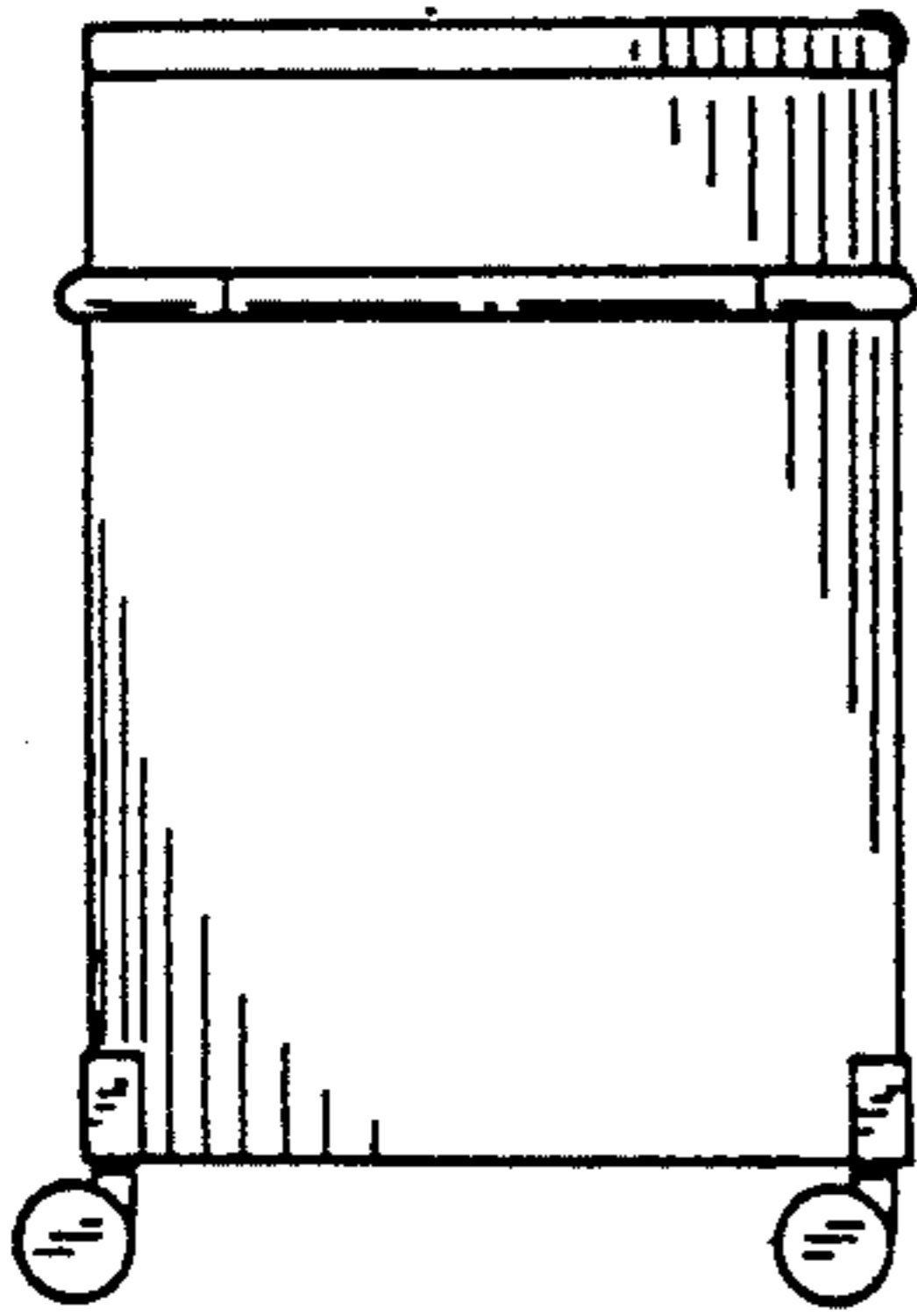


FIG. 3

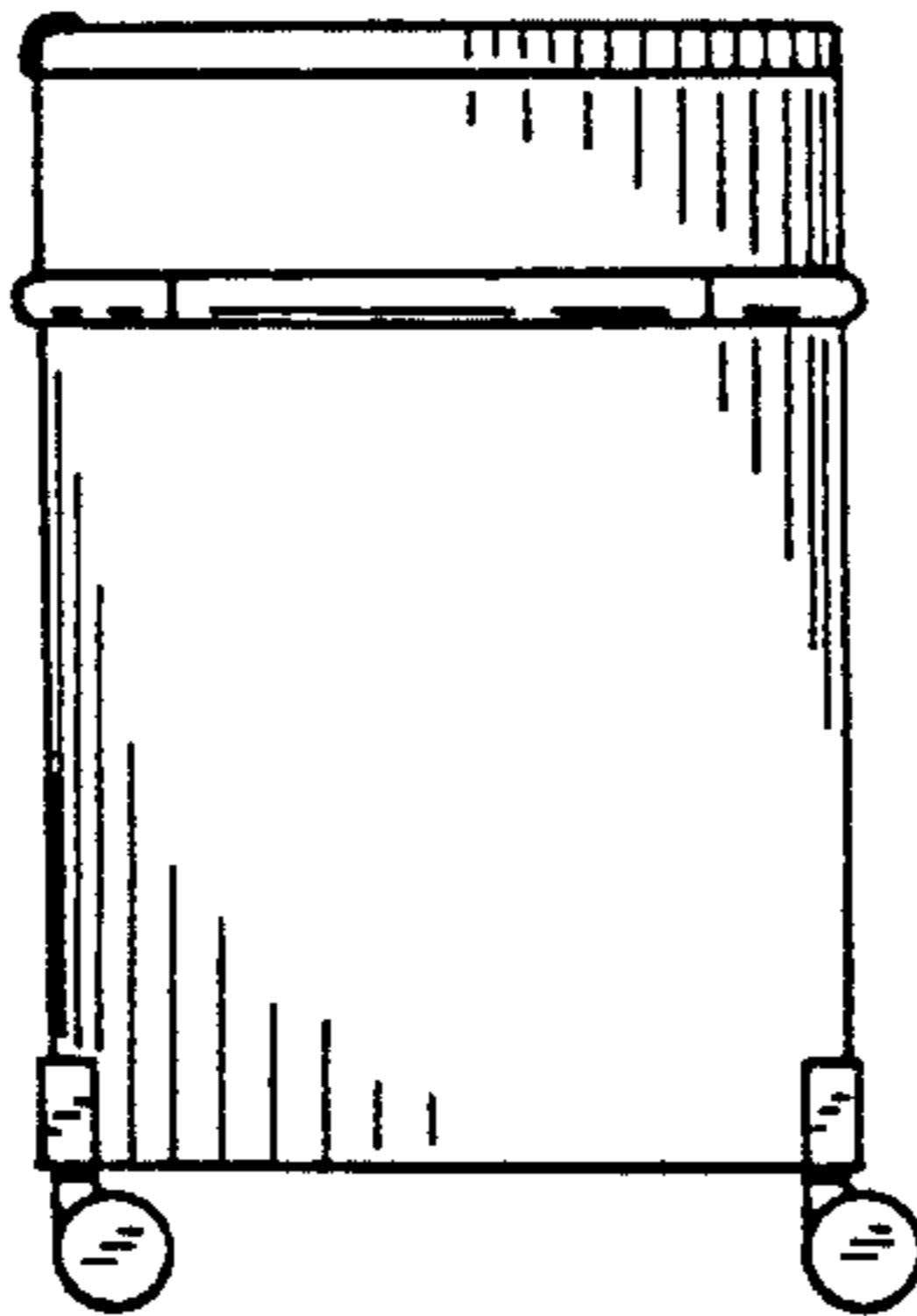


FIG. 4

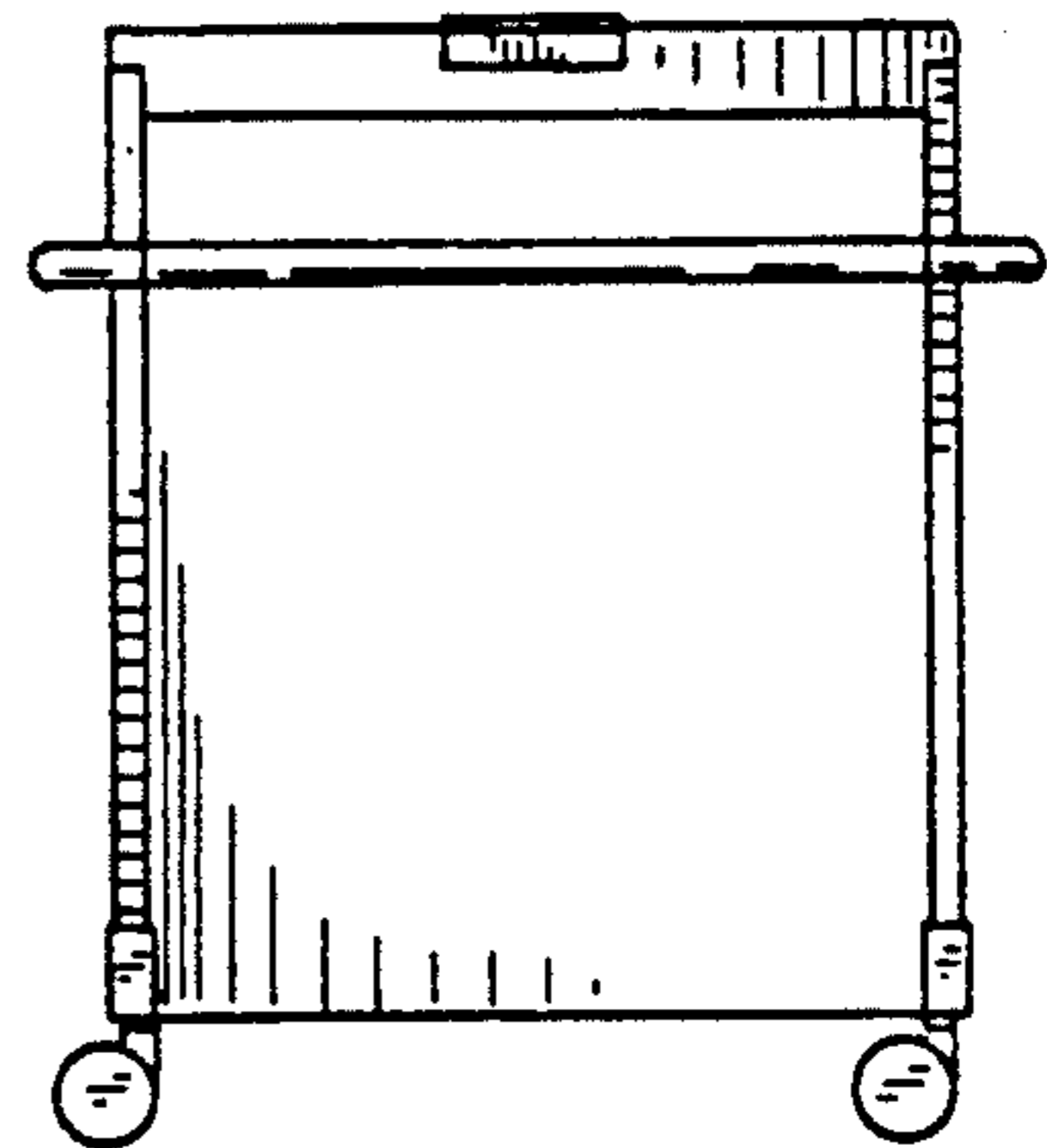


FIG. 5

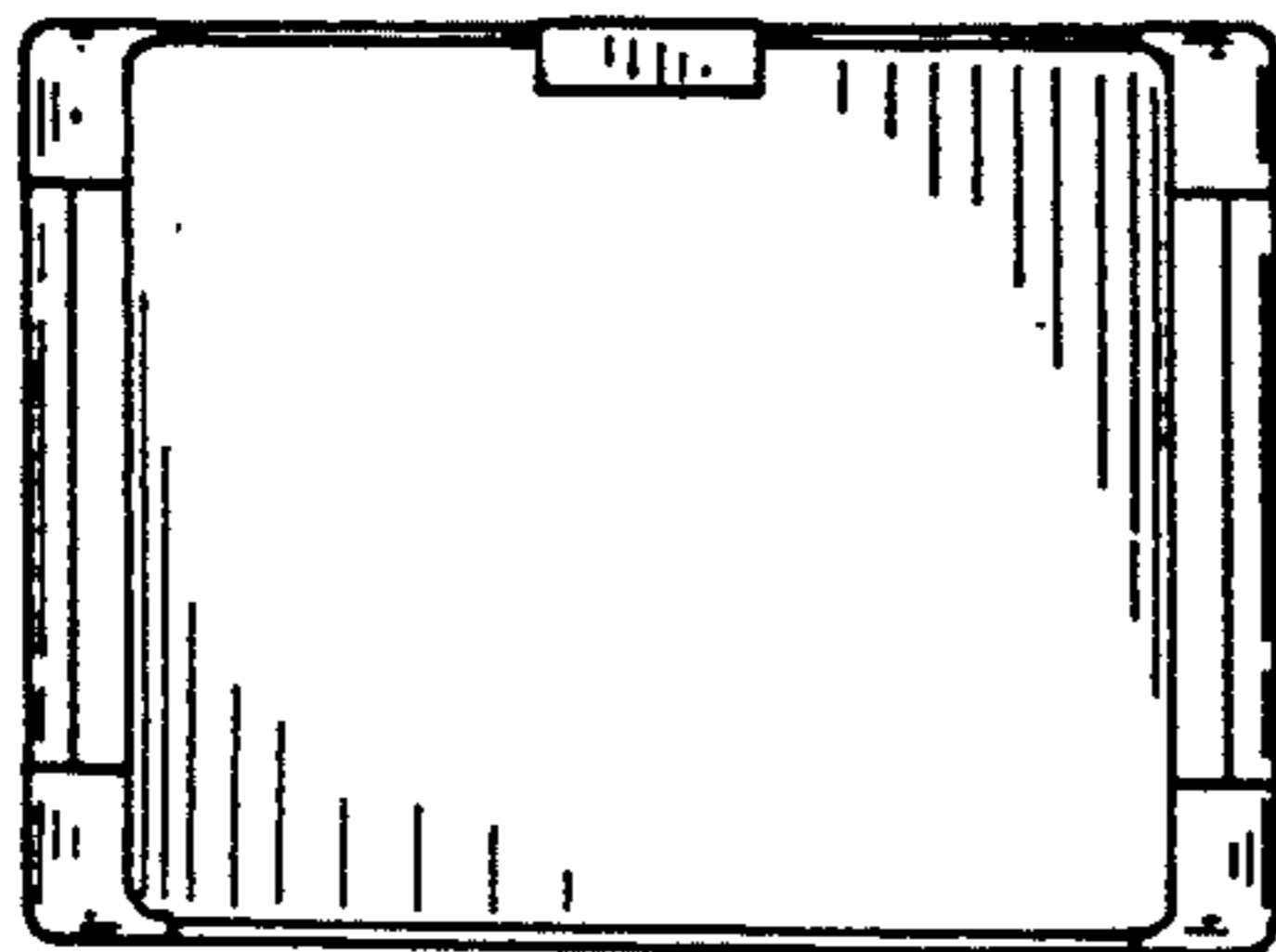


FIG. 6

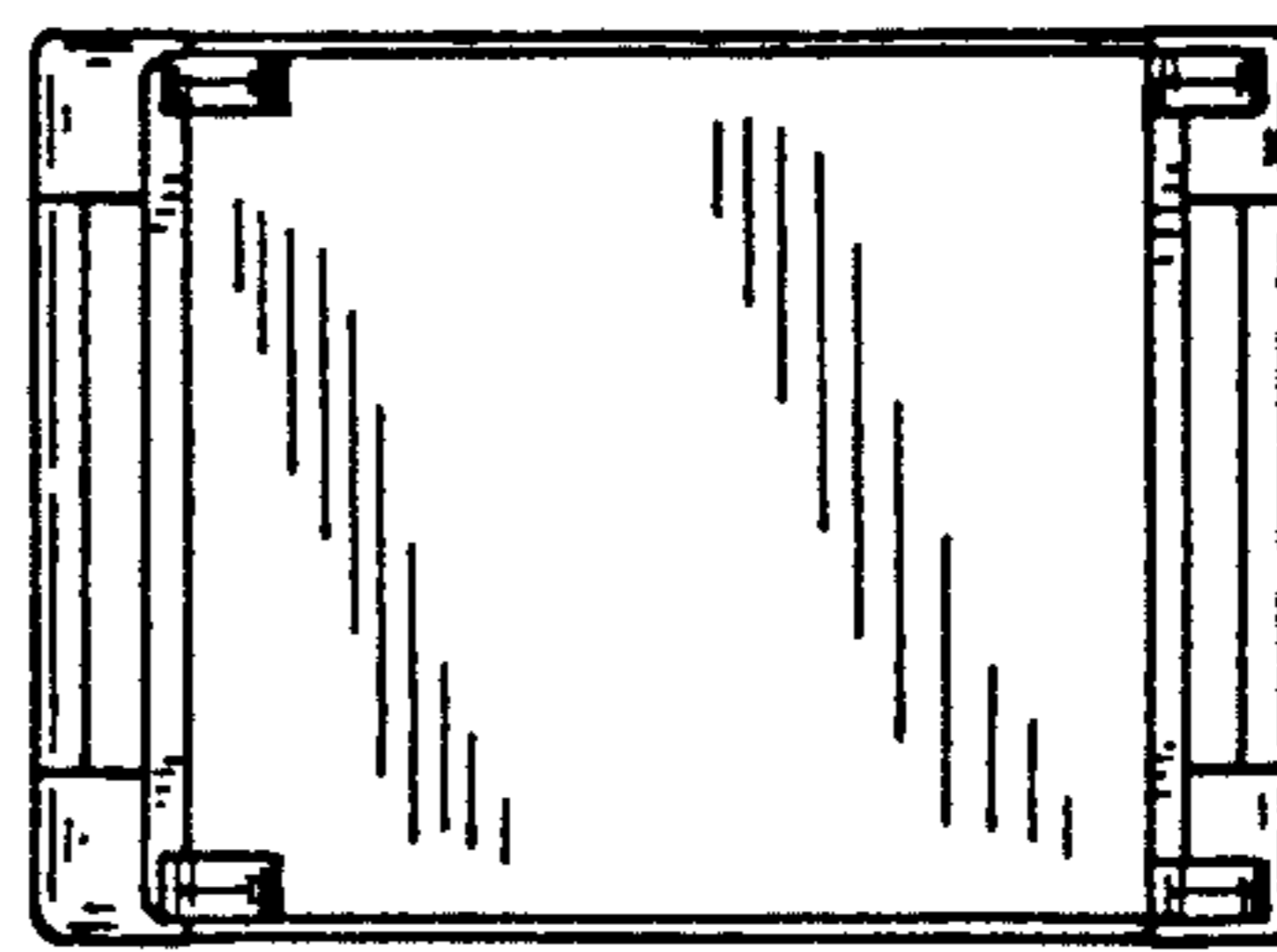


FIG. 7

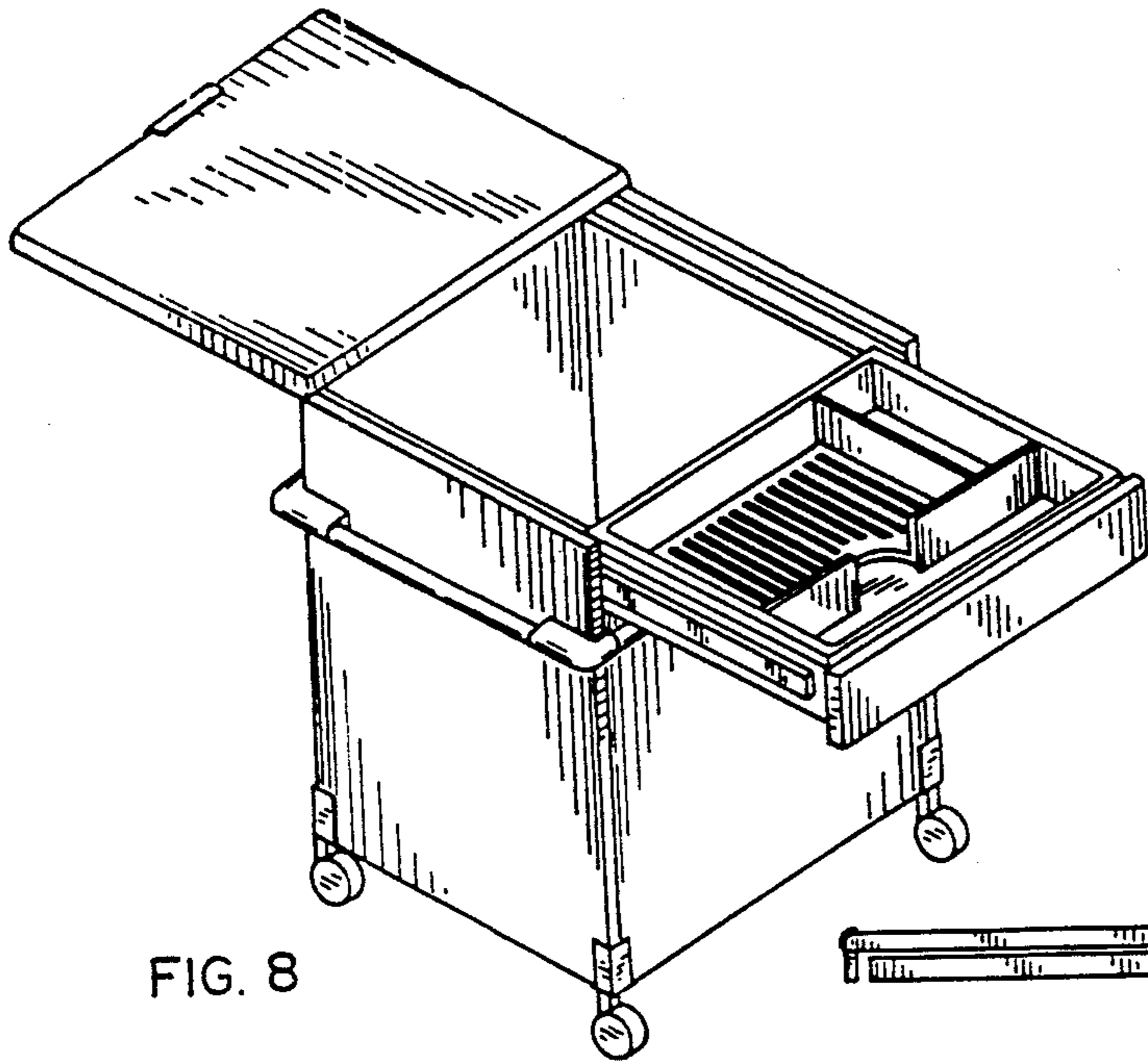


FIG. 8

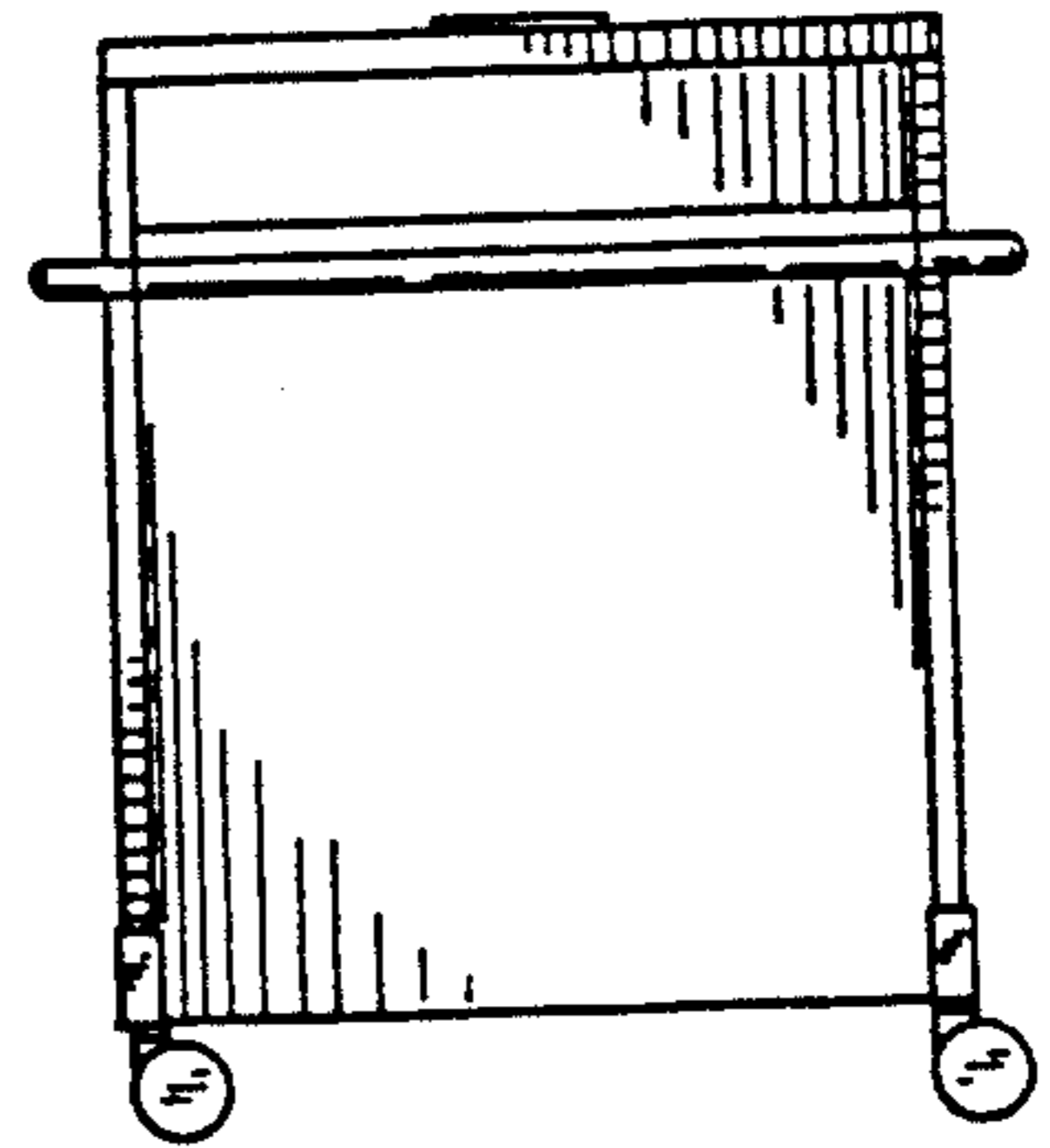


FIG. 9

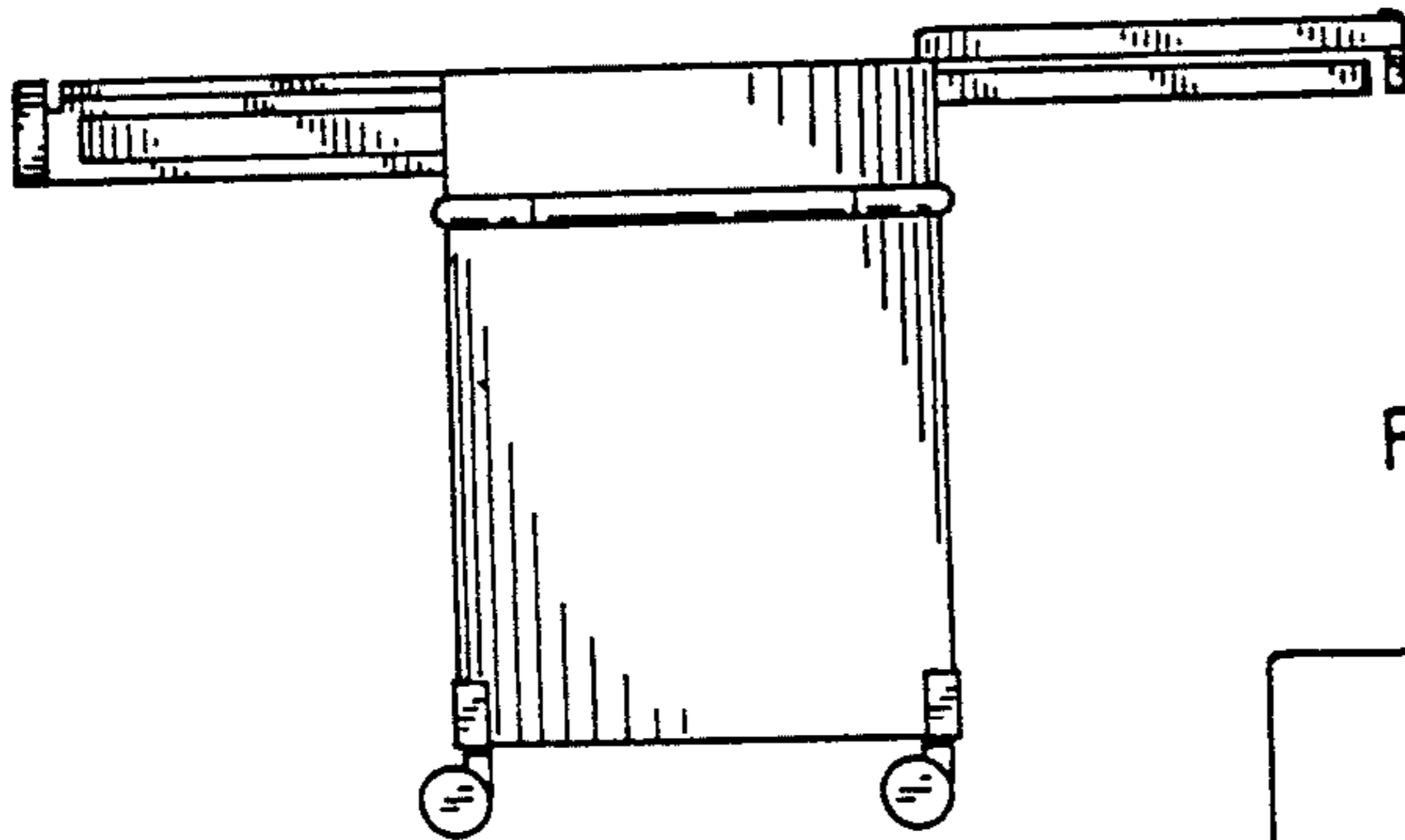


FIG. 10

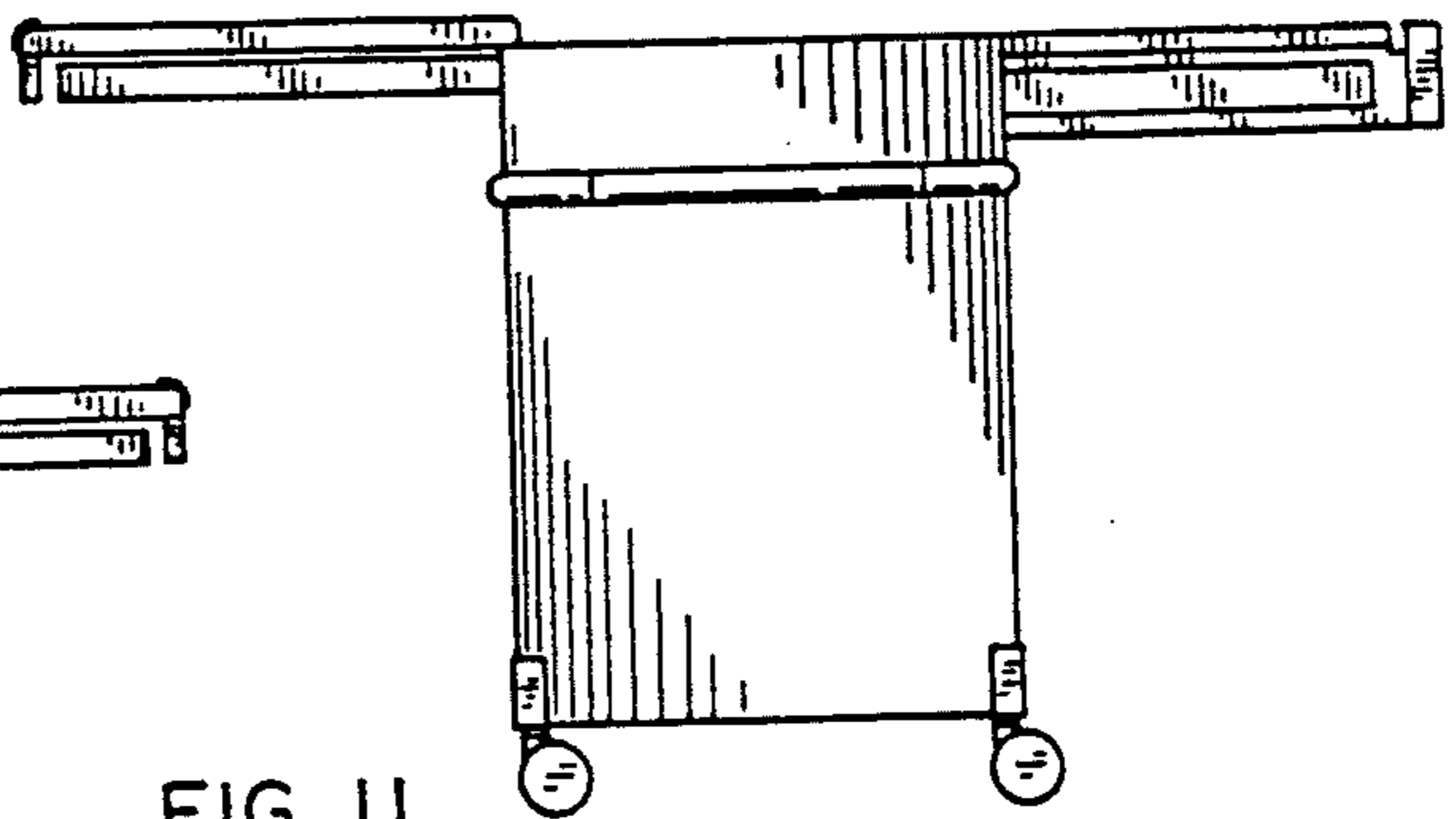


FIG. 11

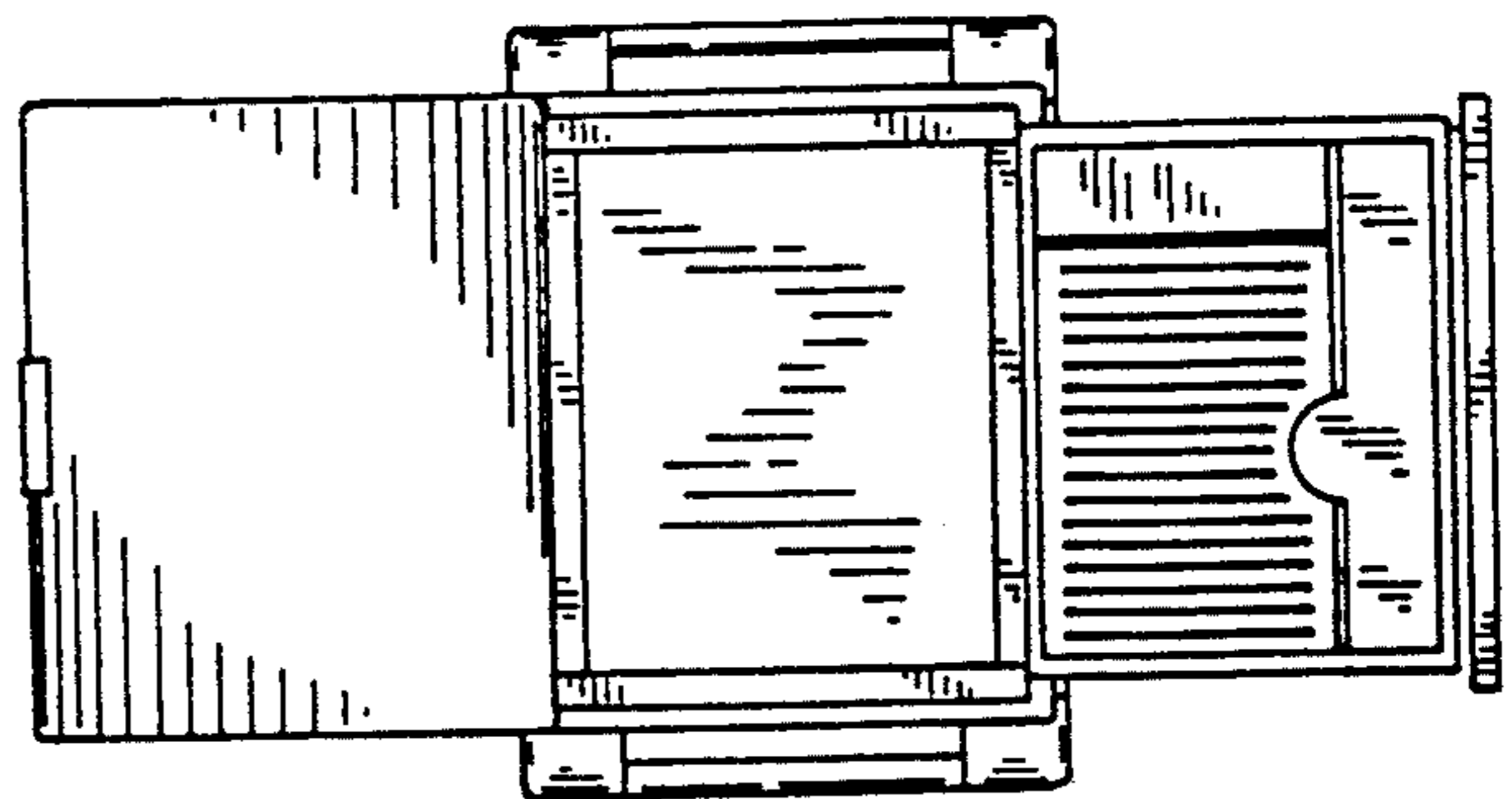


FIG. 13

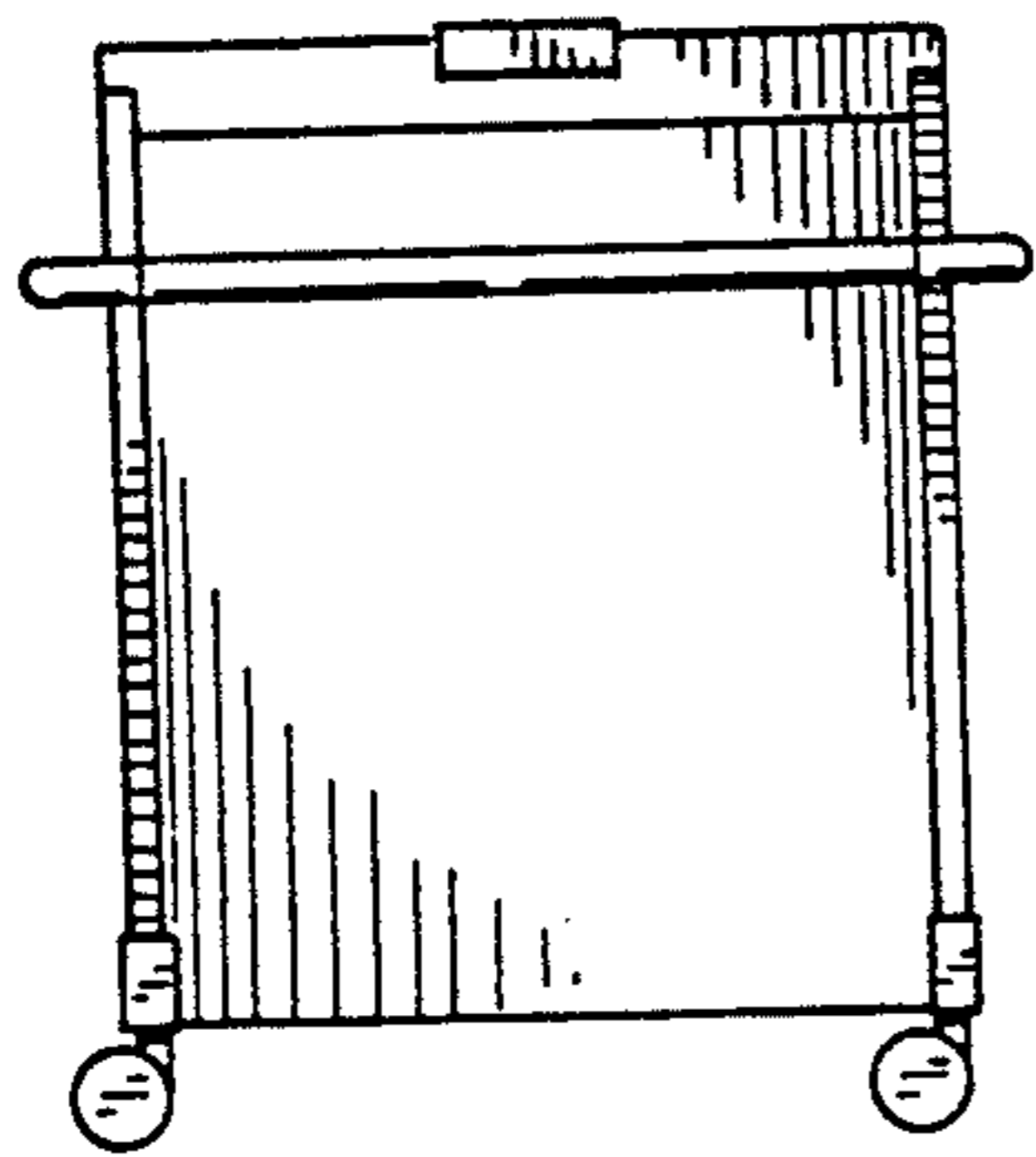


FIG. 12

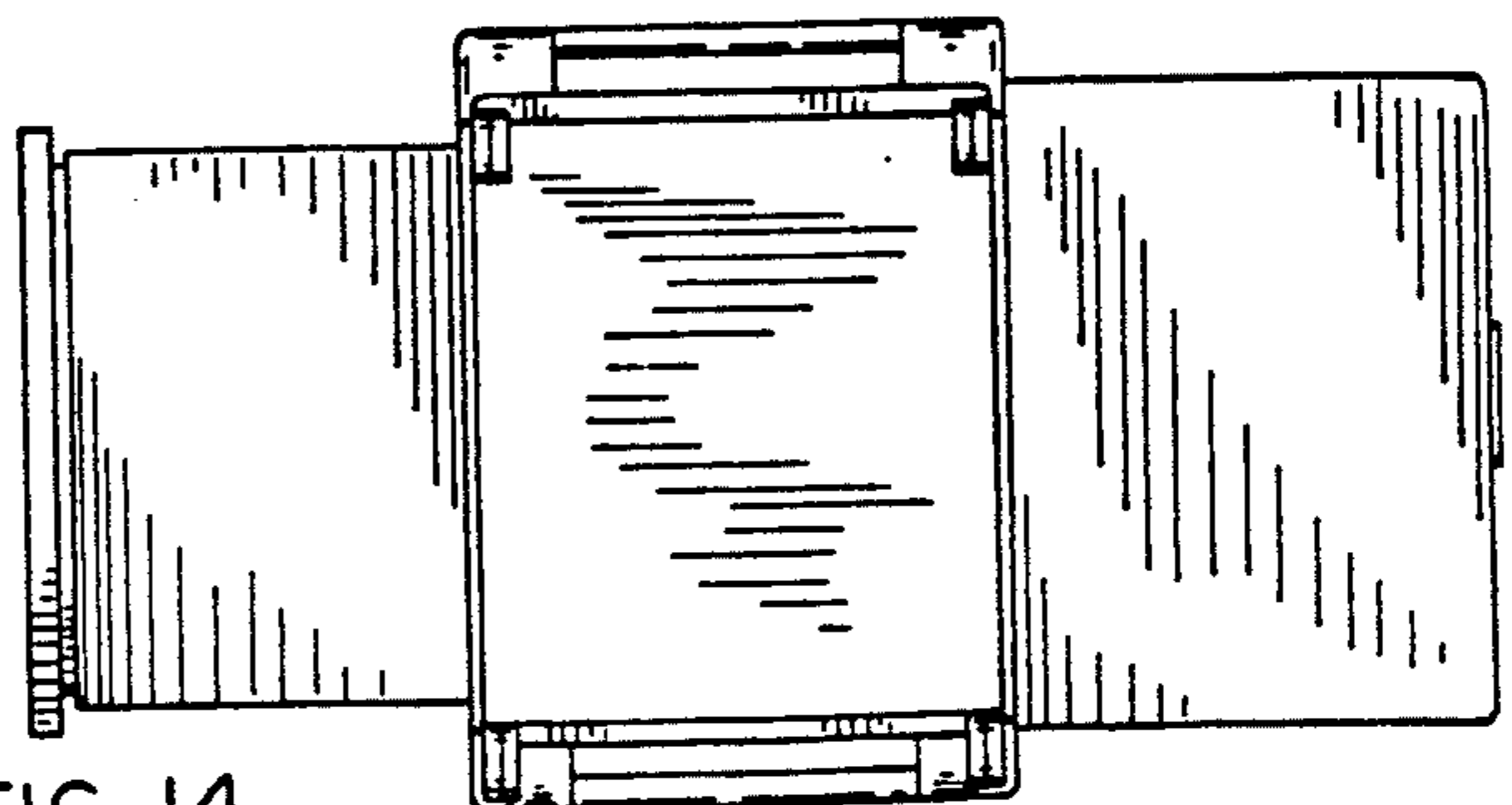


FIG. 14