



US00D331332S

# United States Patent [19]

[11] Patent Number: **Des. 331,332**

Farmer

[45] Date of Patent: **\*\* Dec. 1, 1992**

[54] **ATTACHABLE WRITING SURFACE FOR USE IN AN AUTOMOBILE**

[76] Inventor: **Doris Farmer, Rte. #3, Box 555, Toccoa, Ga. 30577**

[\*\*] Term: **14 Years**

[21] Appl. No.: **462,441**

[22] Filed: **Jan. 9, 1990**

[52] U.S. Cl. .... **D6/418; D6/509; D6/511; D19/88**

[58] Field of Search ..... **D19/88, 91; D6/406, D6/418, 511, 509, 491; 40/341-349; 108/25, 134; 248/441.1, 442.2, 444.1, 445-447, 447.2, 448-455, 457, 460**

[56] **References Cited**

### U.S. PATENT DOCUMENTS

D. 135,340	3/1943	Hillenbrand	.....	D6/406
D. 177,324	4/1956	Hartman	.....	D6/511
D. 276,799	12/1984	Gomez	.....	D6/418
D. 292,150	10/1987	Restin et al.	.....	D6/418
D. 311,829	11/1990	Vossoughi	.....	D6/418
604,008	5/1898	Hughes	.....	248/447.2

941,559	11/1909	Colleen	.....	248/444.1
2,410,447	11/1946	Juran	.....	D19/52 X
2,603,896	7/1952	Bennett	.	
2,647,716	8/1953	Hudziak et al.	.....	D7/550 X
2,856,251	10/1958	Garrison	.....	D7/550 X
2,862,328	12/1958	Wadsworth	.....	248/447.2 X
3,095,835	7/1963	Smith	.....	108/25
3,185,113	5/1965	Nathan et al.	.....	D9/532 X
3,239,272	3/1966	Wilkins	.....	297/194
3,952,988	4/1976	Easterly	.	

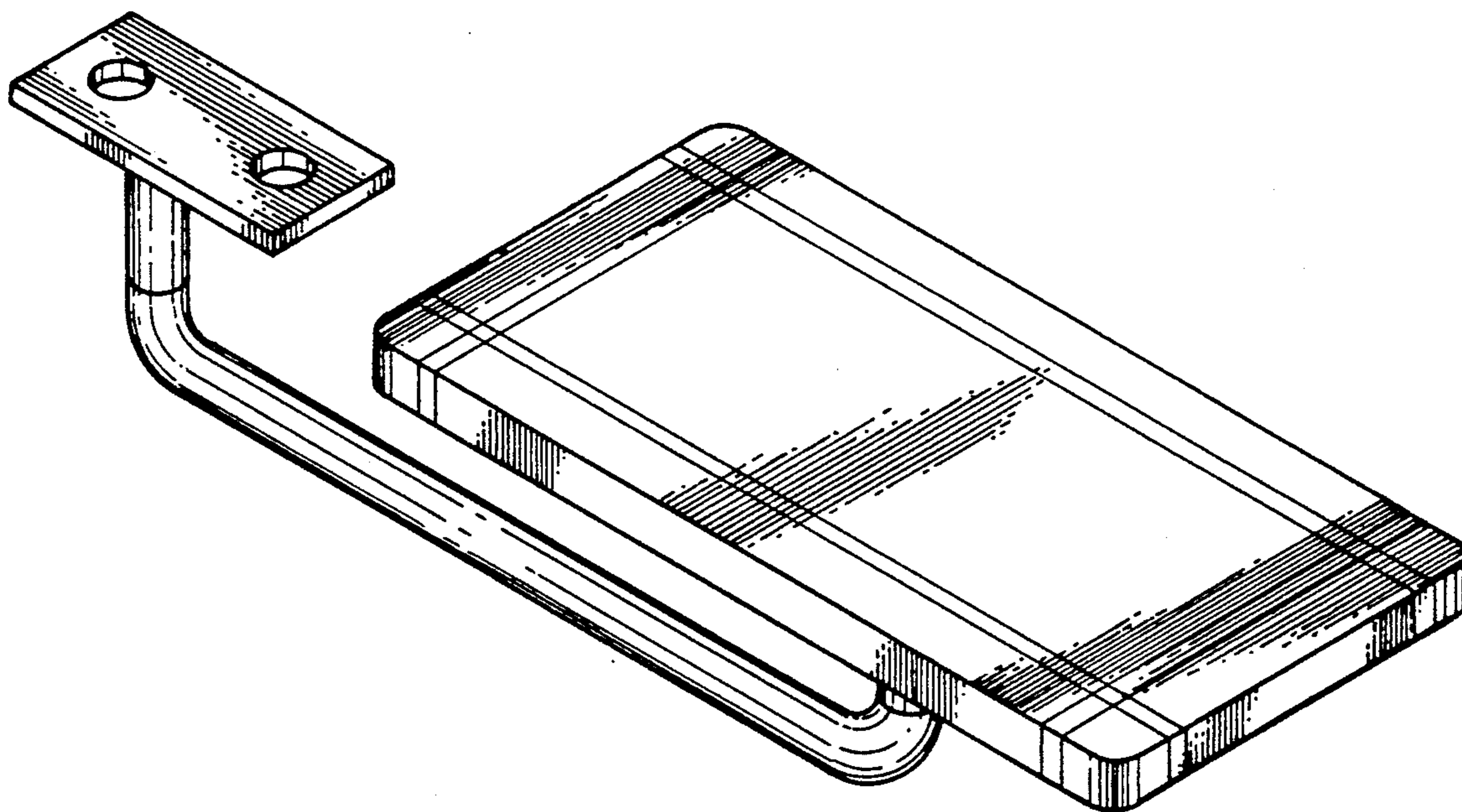
*Primary Examiner*—Nelson C. Holtje  
*Assistant Examiner*—Martha Thompson  
*Attorney, Agent, or Firm*—Terry M. Gernstein

### [57] CLAIM

The ornamental design for a attachable writing surface for use in an automobile, as shown and described.

### DESCRIPTION

FIG. 1 is a perspective view of an attachable writing surface for use in an automobile showing my new design;  
FIG. 2 is a side elevational view, the opposite side being a mirror image thereof;  
FIG. 3 is a top plan view; and,  
FIG. 4 is a bottom plan view thereof.



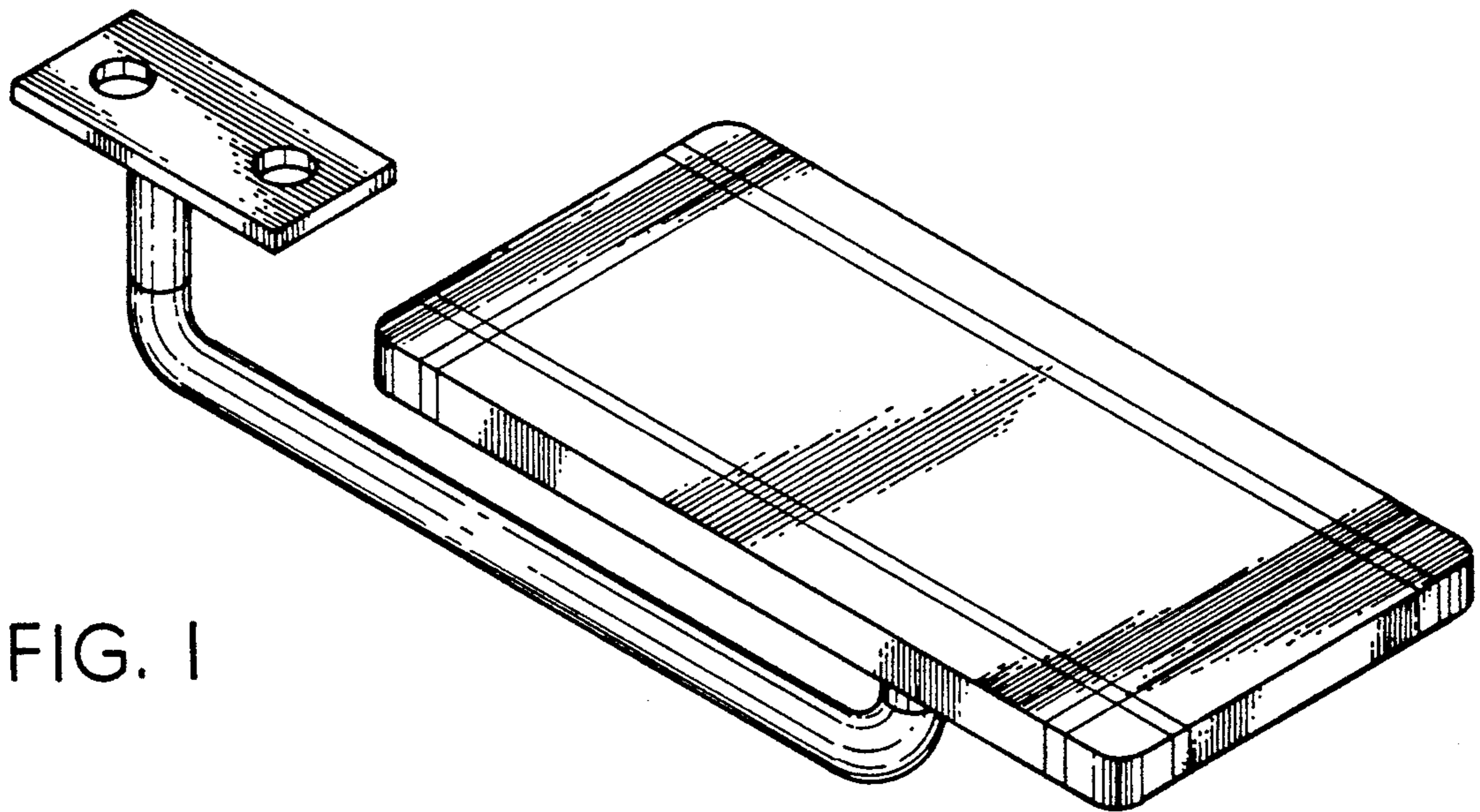


FIG. 1

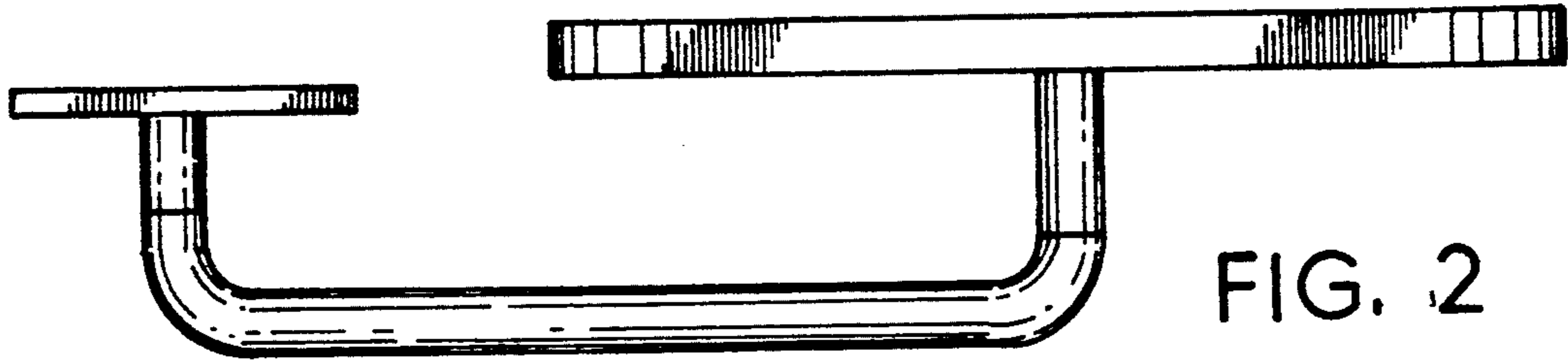


FIG. 2

FIG. 3

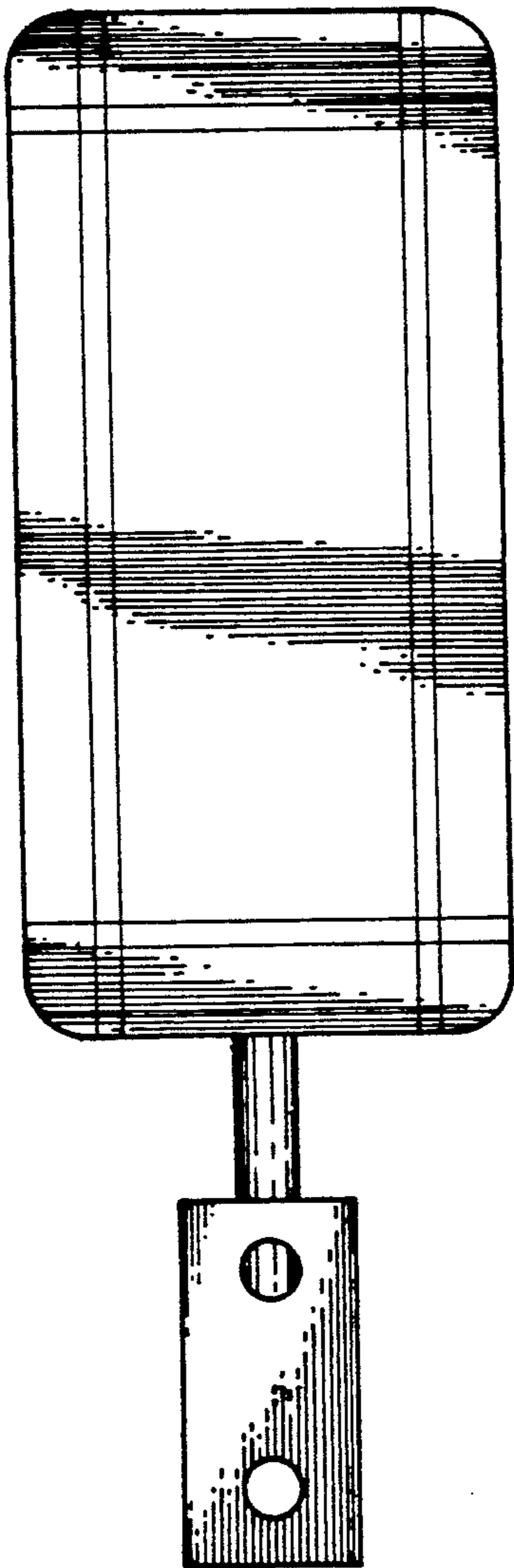


FIG. 4

