



US00D331325S

United States Patent [19] Grosfillex

[11] Patent Number: **Des. 331,325**

[45] Date of Patent: **** Dec. 1, 1992**

[54] **ARMCHAIR**

D. 325,304 4/1992 Grosfillex D6/370

[75] Inventor: **Raymond Grosfillex, Oyonnax, France**

[73] Assignee: **Grosfillex Sarl, Arpent Oyonnax, France**

[**] Term: **14 Years**

[21] Appl. No.: **421,730**

[22] Filed: **Oct. 16, 1989**

[30] **Foreign Application Priority Data**

Apr. 17, 1989 [XH] Hague DM/014248

[52] U.S. Cl. **D6/379; D6/370**

[58] Field of Search **D6/334, 368, 370, 371, D6/372, 373, 374, 375, 376, 379, 380, 381, 500, 501**

[56] **References Cited**

U.S. PATENT DOCUMENTS

D. 100,182	6/1936	Terker	D6/379
D. 277,908	3/1985	Lisberg	D6/373
D. 282,027	1/1986	Schultz	D6/373
D. 291,161	8/1987	Hubert	D6/370
D. 298,787	12/1988	Greene	D6/373
D. 300,588	4/1989	White	D6/379
D. 323,249	1/1992	Schwartz	D6/370

OTHER PUBLICATIONS

Madison Furn. Indus., Shelby Williams Office Furn. Group, Oct. 1985, Chair shown.

Brown Jordan, ©1986, p. 31, Chair #1770-2400 shown bottom right.

Schöner Wohnen, May 1987, p. 132, Chair #2 at mid-page, second from left.

Brighton's ad, Lyon-Shaw Chair at bottom left.

Primary Examiner—Donald P. Walsh

Assistant Examiner—Gary D. Watson

Attorney, Agent, or Firm—Dowell & Dowell

[57] **CLAIM**

The ornamental design for an armchair, as shown and described.

DESCRIPTION

FIG. 1 is a left-front perspective view of an armchair showing my new design;

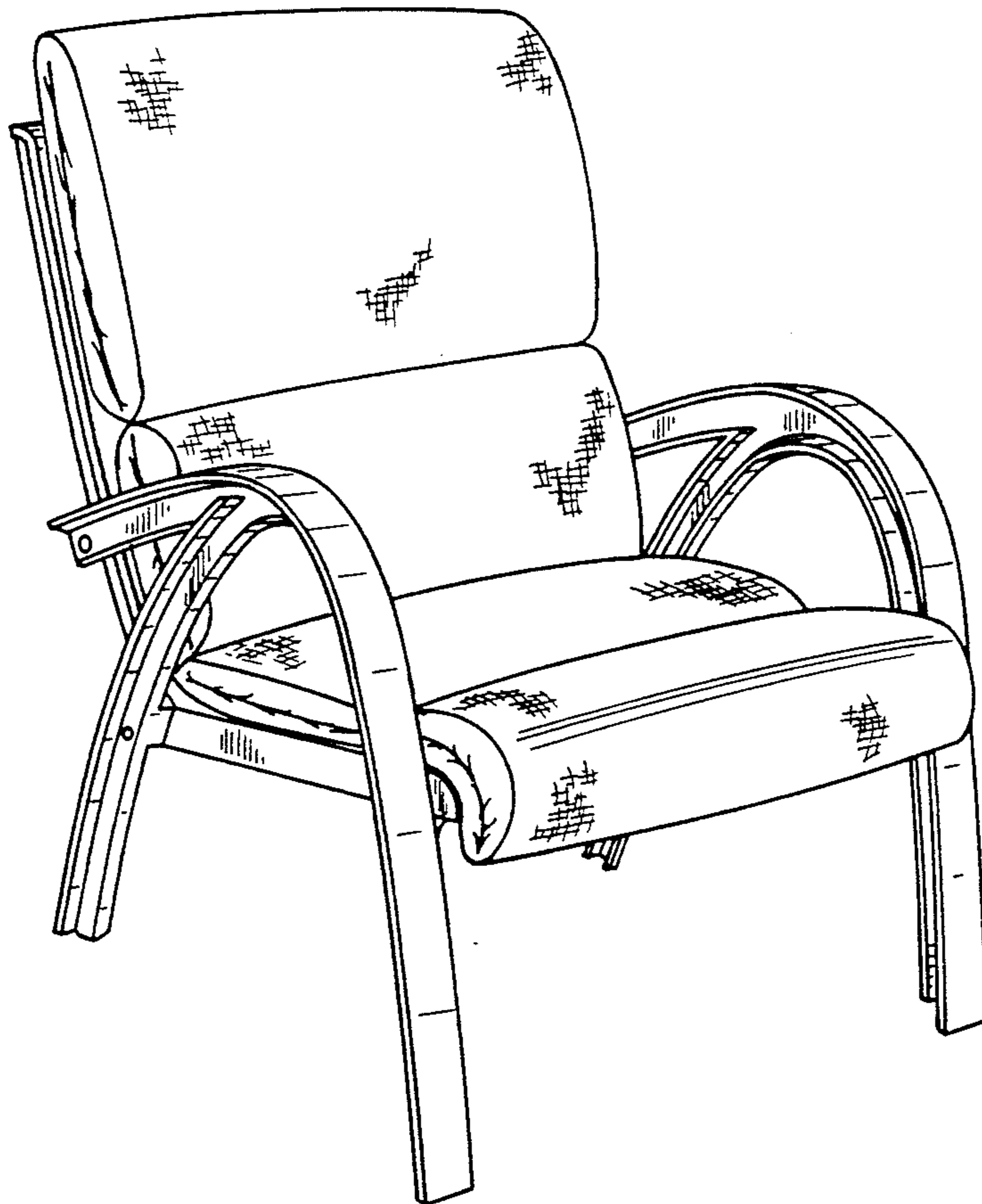
FIG. 2 is a front perspective view;

FIG. 3 is a rear perspective view;

FIG. 4 is a left side perspective view, the right side being a mirror image thereof;

FIG. 5 is a top perspective view; and,

FIG. 6 is a bottom perspective view thereof.



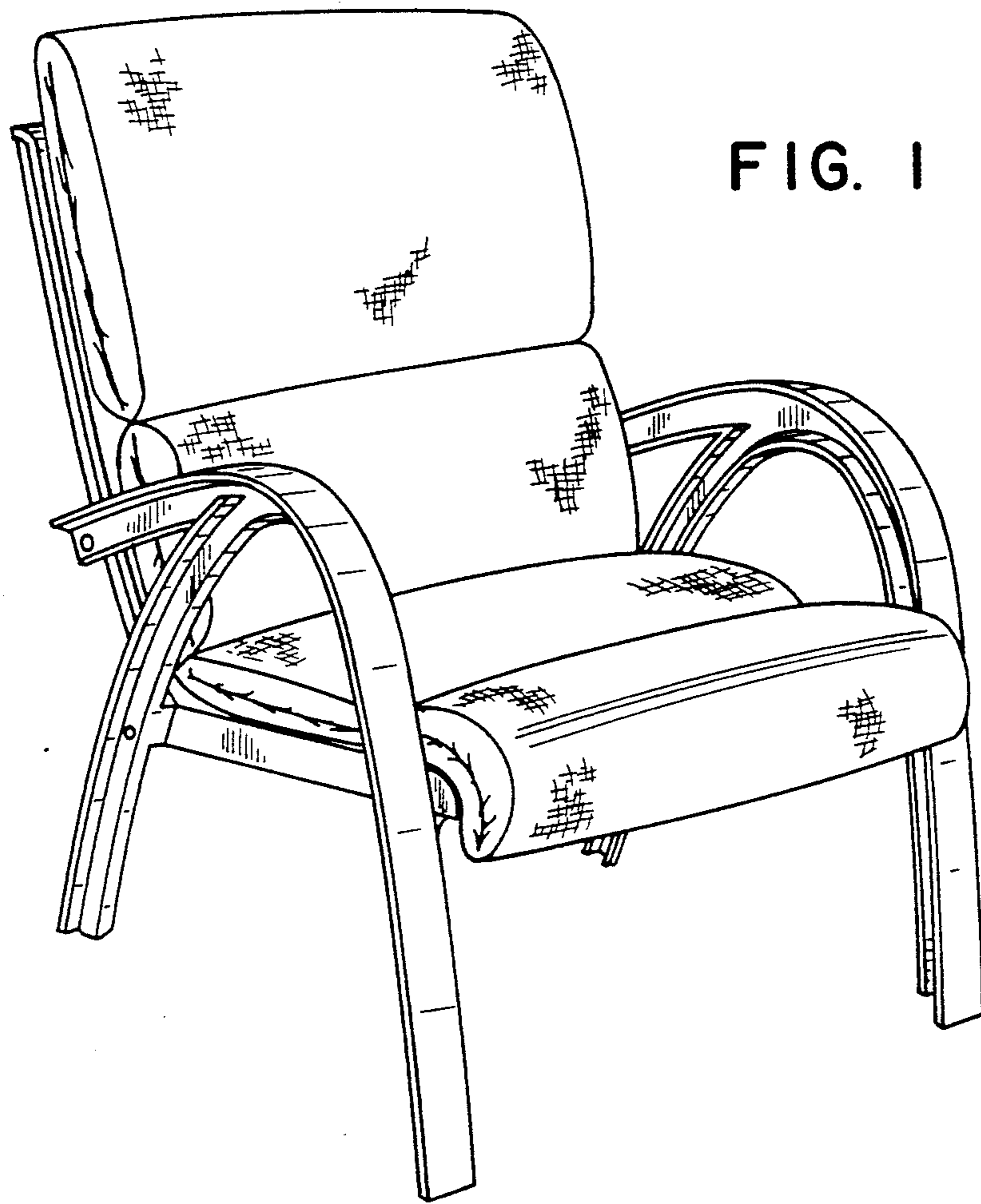


FIG. 1

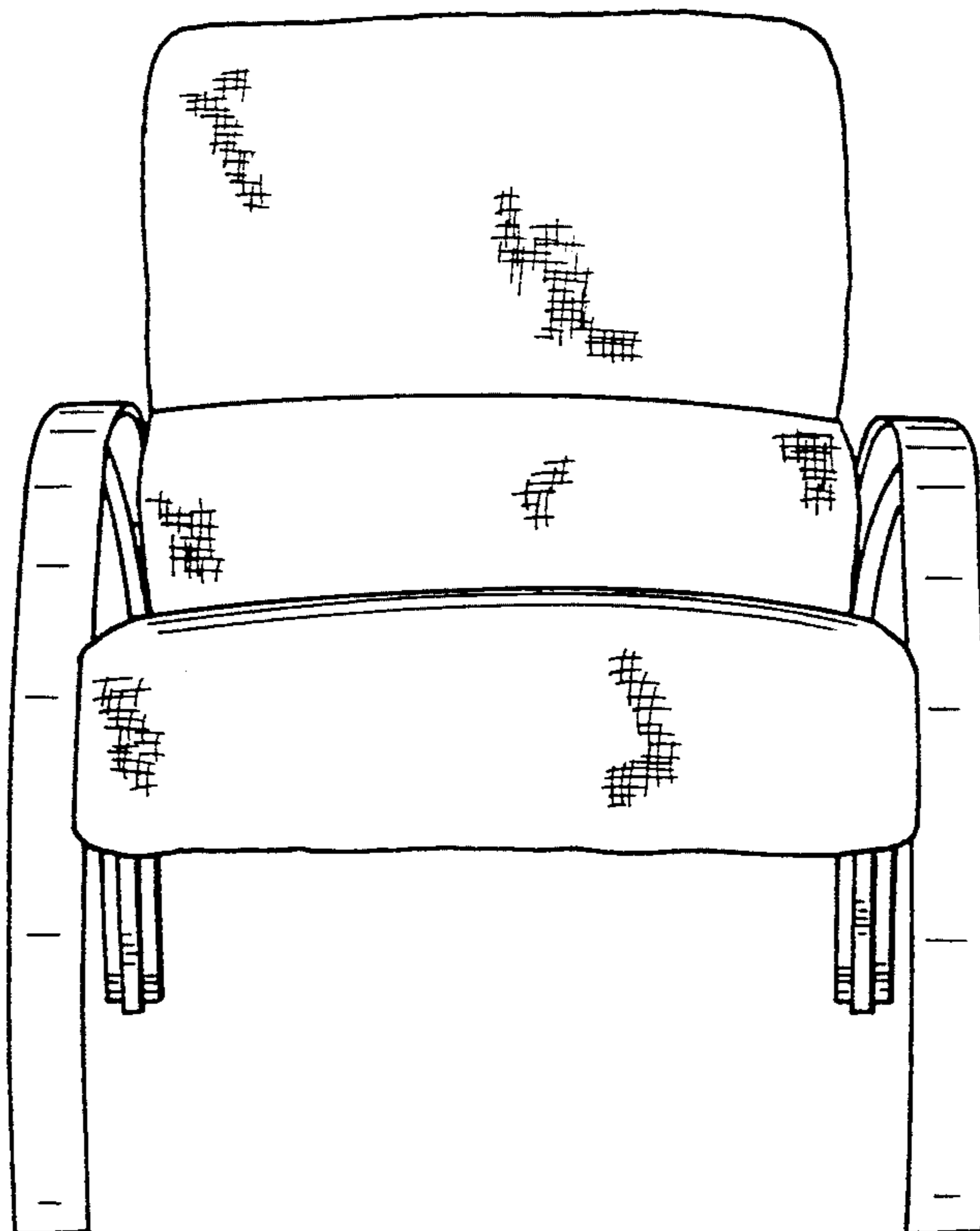


FIG. 2

FIG. 3

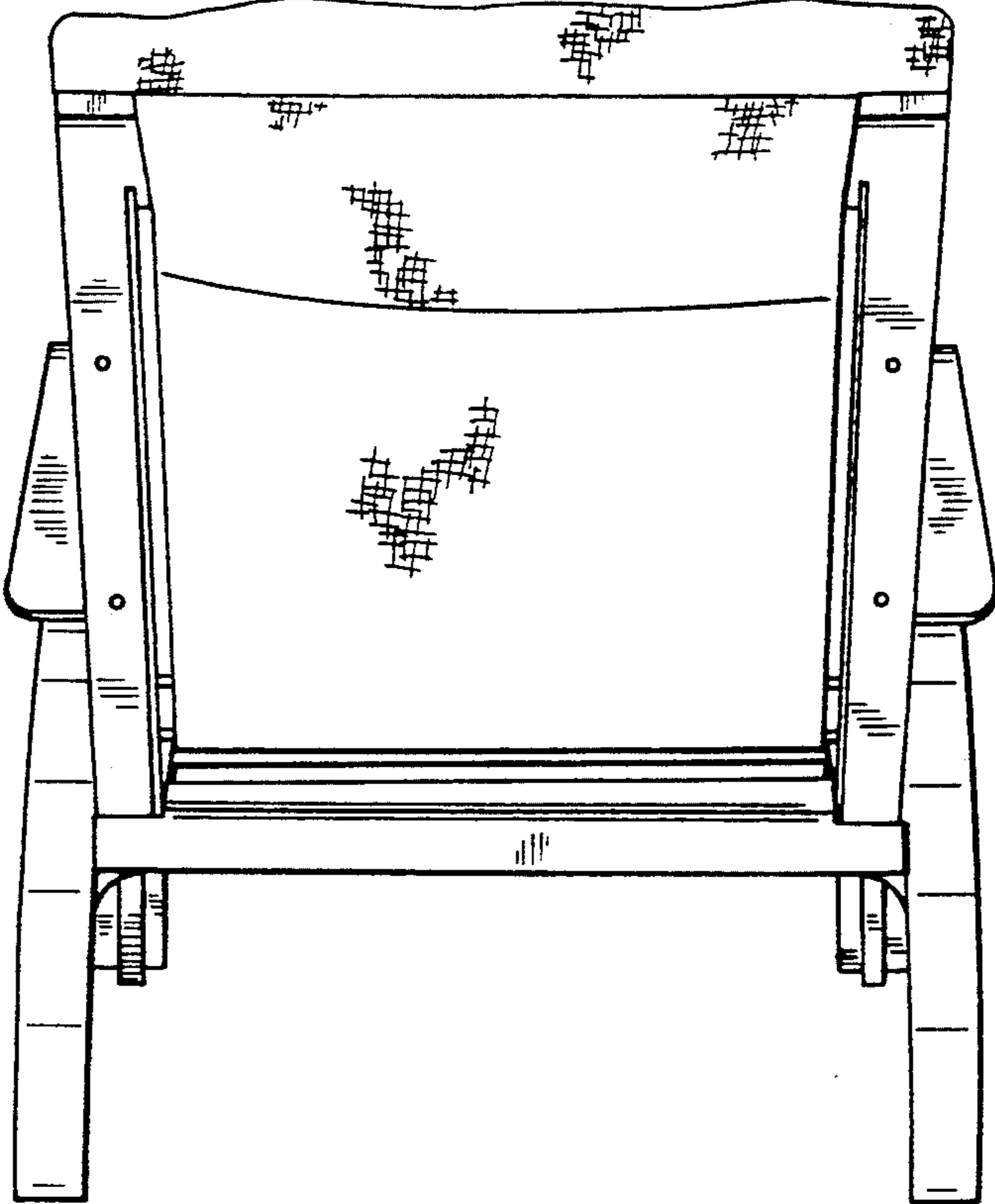
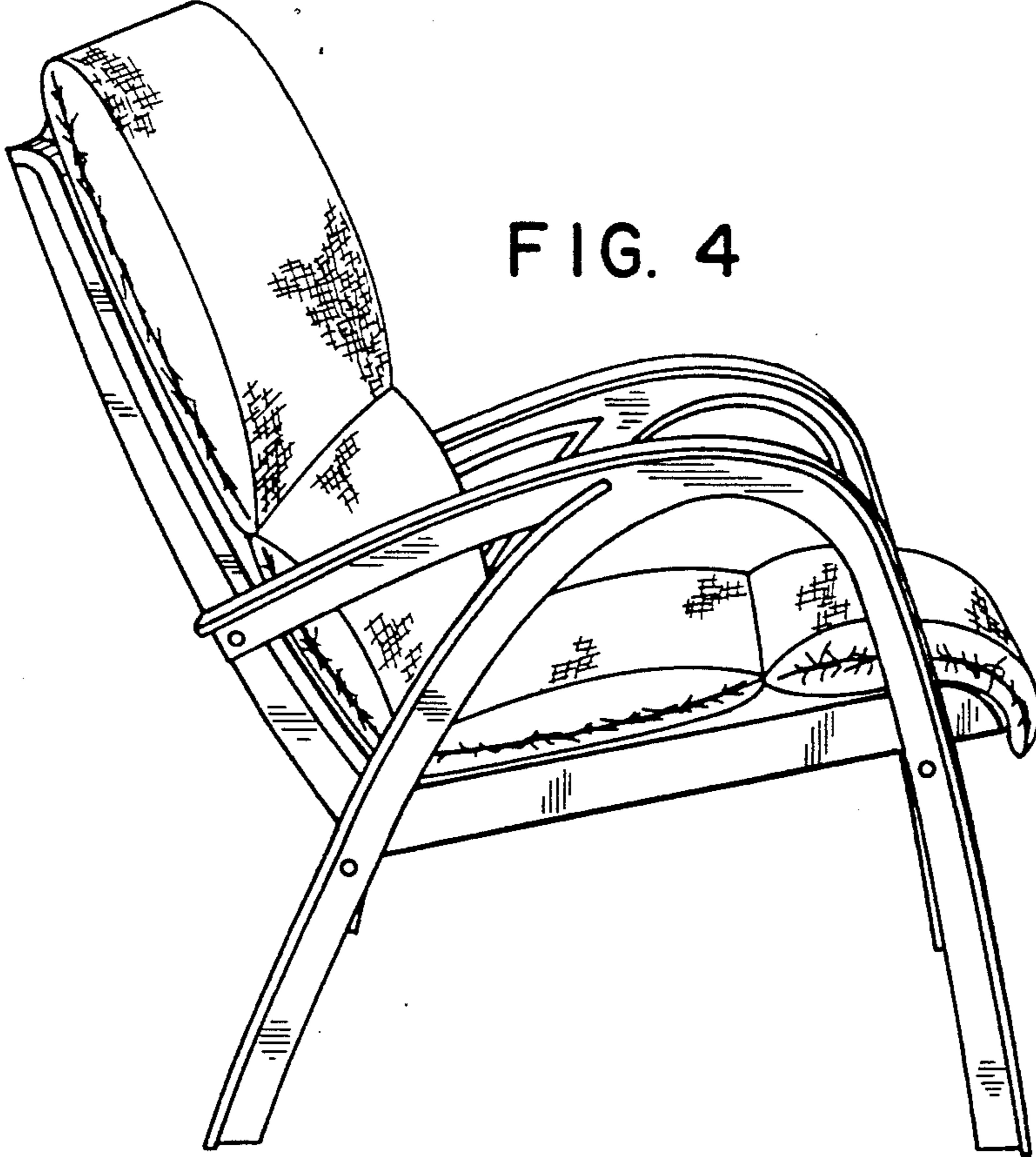


FIG. 4



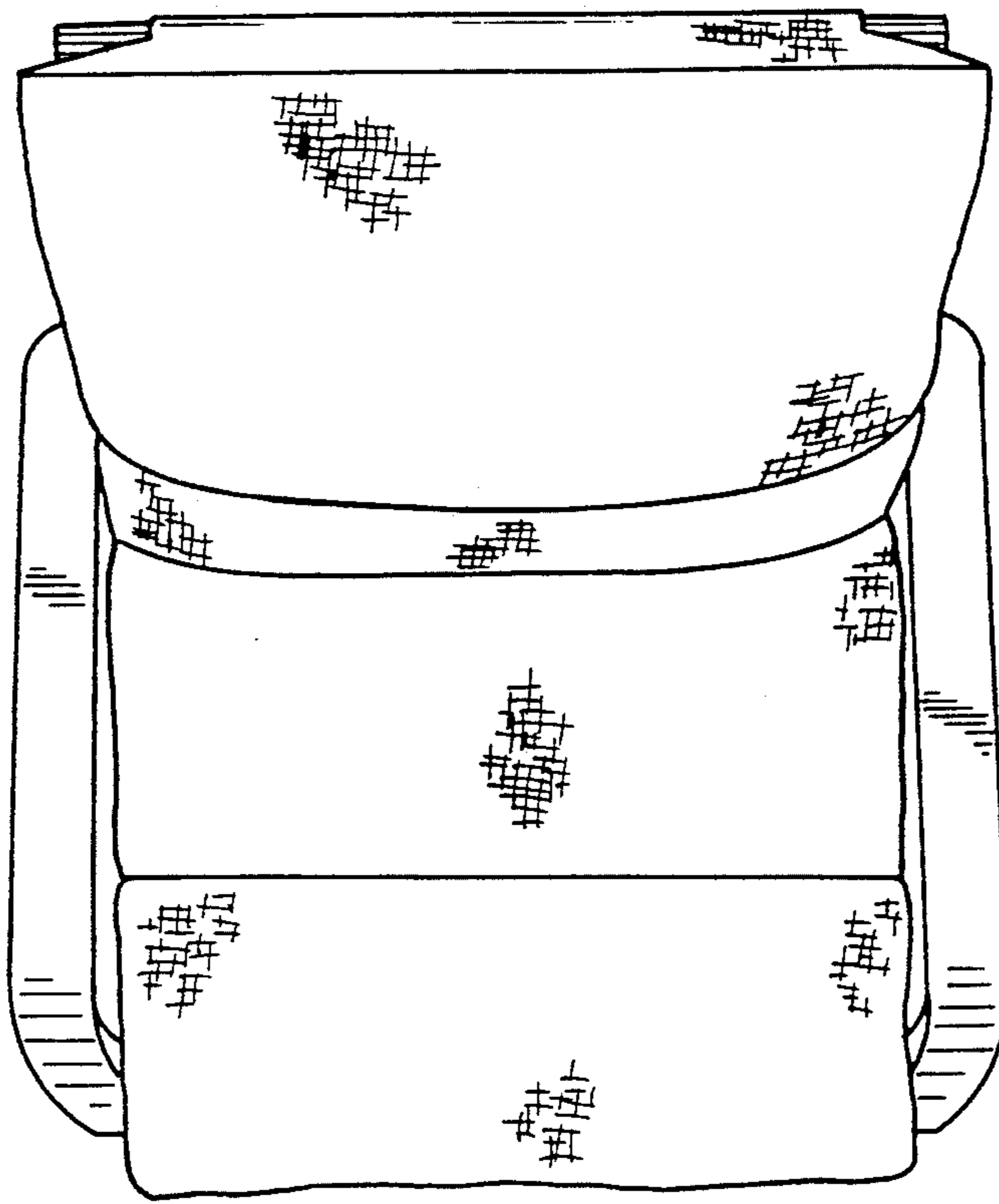


FIG. 5

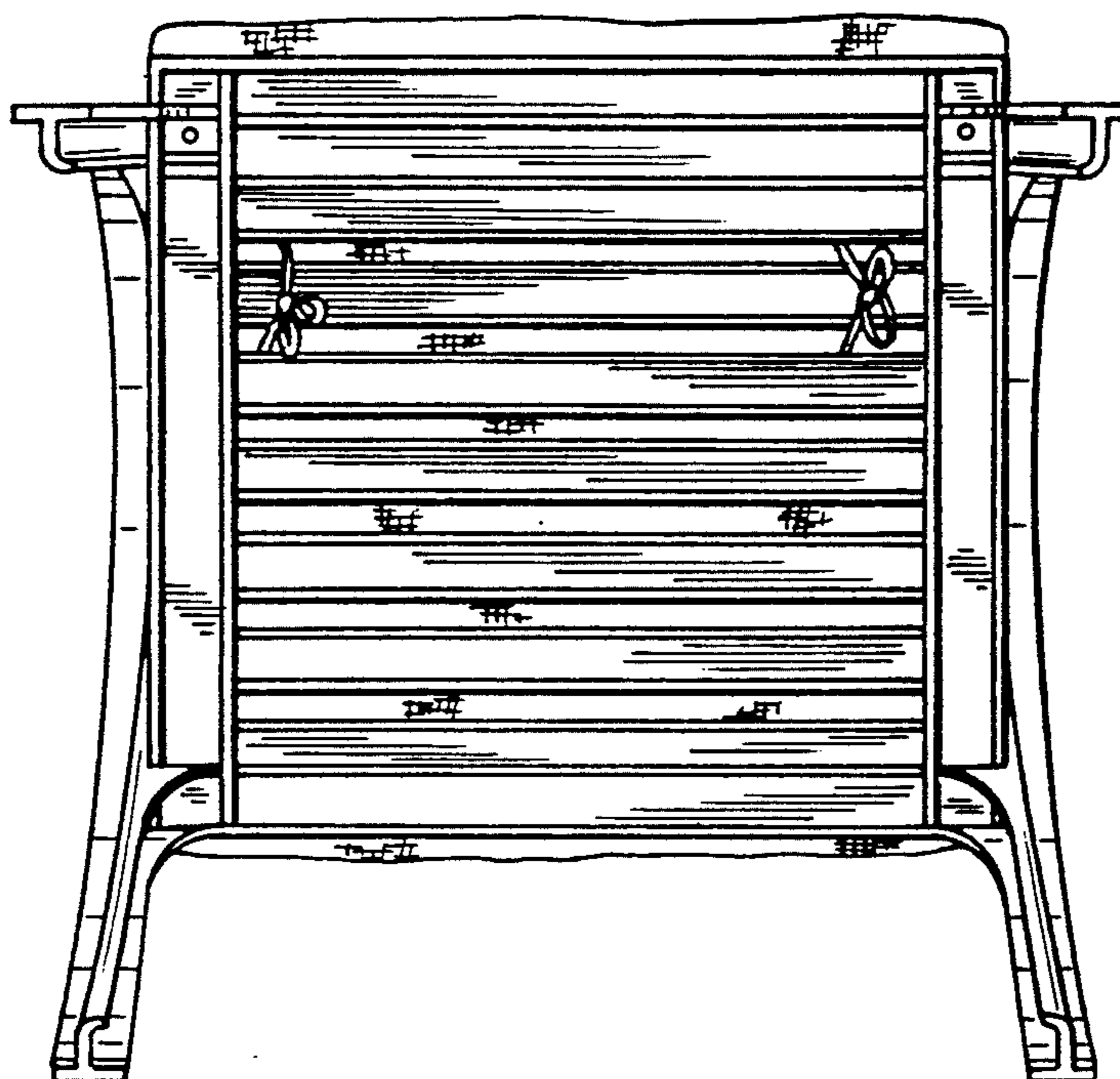


FIG. 6