



US00D331322S

United States Patent [19]

[11] Patent Number: **Des. 331,322**

Schmitt

[45] Date of Patent: **** Dec. 1, 1992**

- [54] **CHILD'S PLAY CHAIR**
- [76] Inventor: **Marcella H. Schmitt, 190 S. Wood Dale Rd. #706, Wood Dale, Ill. 60191**
- [**] Term: **14 Years**
- [21] Appl. No.: **376,535**
- [22] Filed: **Jul. 7, 1989**
- [52] U.S. Cl. **D6/334; D6/345; D6/358; D6/371**
- [58] Field of Search **D6/333, 334, -335, 337, D6/339, 340, 344, 346, 347, 349, 350, 356, 364, 365, 366, 370, 372, 374, 375, 379, 496, 497, 498, 499, 500, 501, 502, 503; D21/123; D34/23**
- [56] **References Cited**

U.S. PATENT DOCUMENTS

- D. 207,105 3/1967 Gale .
- D. 211,588 7/1968 Zick .
- D. 213,273 1/1969 Wormser .
- D. 217,486 5/1970 McHugh .
- D. 222,156 10/1971 Miller .
- D. 229,731 1/1974 Walsh D6/371
- D. 232,240 7/1974 Markusen .
- D. 232,241 7/1974 Markusen .
- D. 232,249 7/1974 Markusen .
- D. 232,314 8/1974 Markusen .
- D. 238,889 2/1976 Holmquist .
- D. 244,556 5/1977 Burgess et al. .
- D. 244,788 6/1977 Burgess et al. .
- D. 250,784 1/1979 Dieter et al. .
- D. 269,104 5/1983 Brown .
- D. 269,105 5/1983 Brown .
- D. 269,106 5/1983 Brown .
- D. 269,107 5/1983 Brown .
- D. 291,717 9/1987 Brooks .
- 1,230,642 6/1917 Albano 297/258 X
- 1,917,018 7/1933 Clark .
- 2,170,935 8/1939 Whiteley .
- 2,465,187 3/1949 Barrabee .
- 3,632,109 1/1972 Dattner .
- 3,663,346 5/1972 Schoen .
- 3,663,347 5/1972 Schoen .
- 3,666,266 5/1972 Noguchi .
- 3,687,449 8/1972 Newman .
- 3,730,522 5/1973 Packowski .
- 3,765,121 10/1973 Vennola .
- 3,802,133 4/1974 Gregory .
- 3,895,796 7/1975 Pestalozzi .
- 3,899,208 8/1975 Cirigliano 297/258
- 3,928,701 12/1975 Roehner .

- 3,947,024 3/1976 Slater .
- 3,949,985 4/1976 Stampfli .
- 4,063,725 12/1977 Snyder .
- 4,099,773 7/1978 Chang 297/DIG. 3 X
- 4,343,464 8/1982 Dose .
- 4,369,965 1/1983 Ahrens .
- 4,379,551 4/1983 Ahrens .
- 4,487,411 12/1984 Ahrens .
- 4,546,965 10/1985 Baxter et al. .
- 4,629,182 12/1986 Rader et al. .
- 4,721,299 1/1988 Schlientz .

FOREIGN PATENT DOCUMENTS

- 699569 10/1964 Canada 272/56
- 781332 3/1968 Canada 272/56
- 266856 10/1913 Fed. Rep. of Germany 272/46
- 350560 3/1922 Fed. Rep. of Germany 272/56
- 7605486 11/1976 Netherlands 272/46
- 566161 9/1975 Switzerland .
- 1447389 12/1988 U.S.S.R. 272/56

OTHER PUBLICATIONS

- Environments Inc. Activity 1989 Cat.*, p. 5, "Escape Hatch", upper right corner of page.
- Playthings*, May 1987, p. 2, "Busy Center", top center of page.
- Play Learn* ©1980 Cat. 1981-1982, p. 23, "Elephant Slide", top center of page.
- Popular Science*, Jun. 1983, p. 104, "Swingset #2", bottom center of page.
- Sweets Architect. File, 1977, Sect. 2.15/mi.
- Playscape Incorporated, Dec. 11, 1968.
- Miracle Recreation Equip. Co. Catalog 773.
- Popular Science*, Jun. 1983, p. 104.
- Primary Examiner*—Carmen H. Vales-Lado
- Assistant Examiner*—Monica A. Hannon
- Attorney, Agent, or Firm*—Potthast & Ring

[57] **CLAIM**
The ornamental design for a child's play chair, as shown and described.

DESCRIPTION

FIG. 1 is a top plan view of the child's play chair showing my new design;
FIG. 2 is a left side elevational view, the right side being identical thereto;
FIG. 3 is a front elevational view, the rear being identical thereto,
FIG. 4 is a bottom plan view thereof; and,
FIG. 5 is a front perspective view thereof.

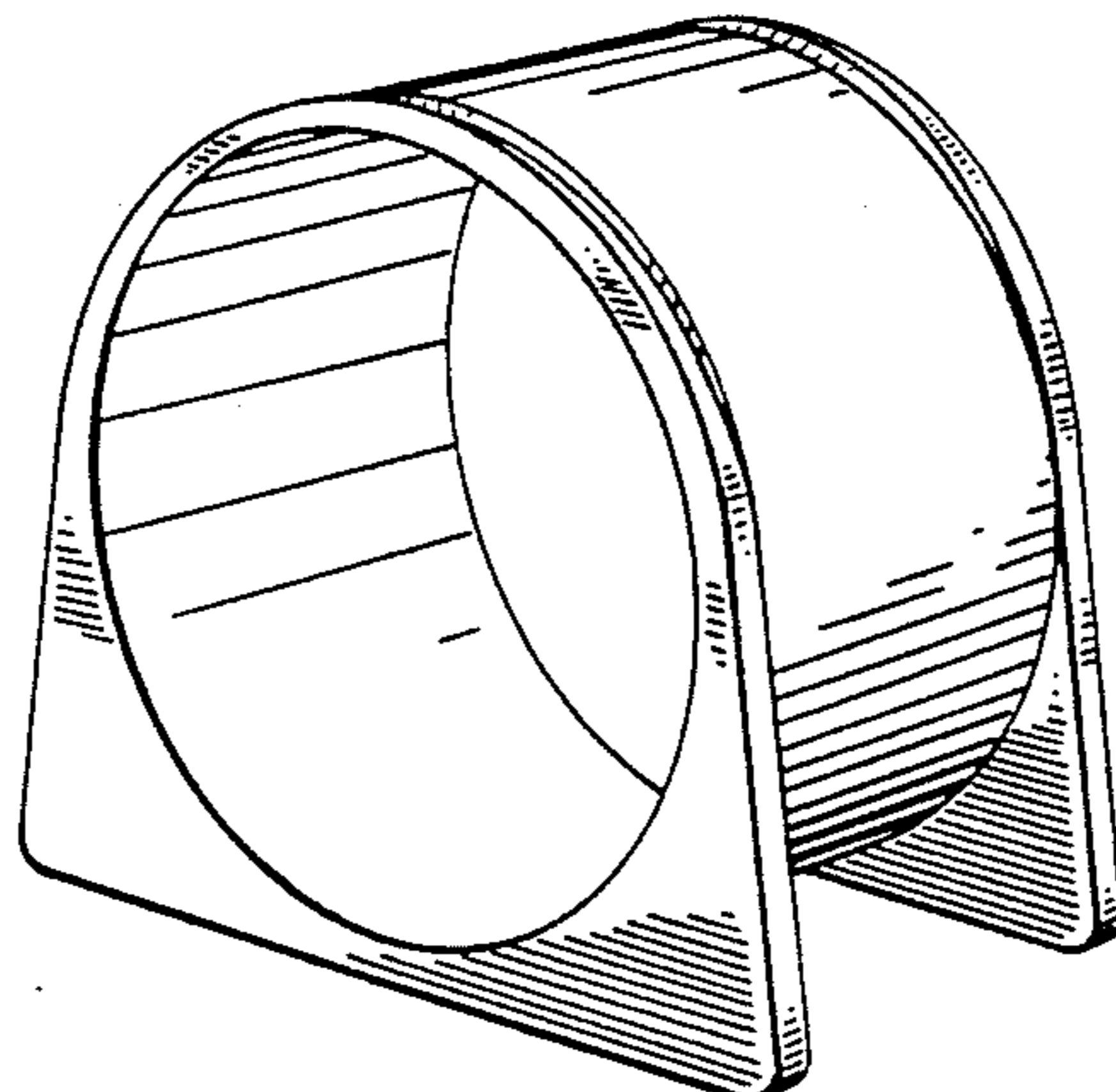


Fig. 1

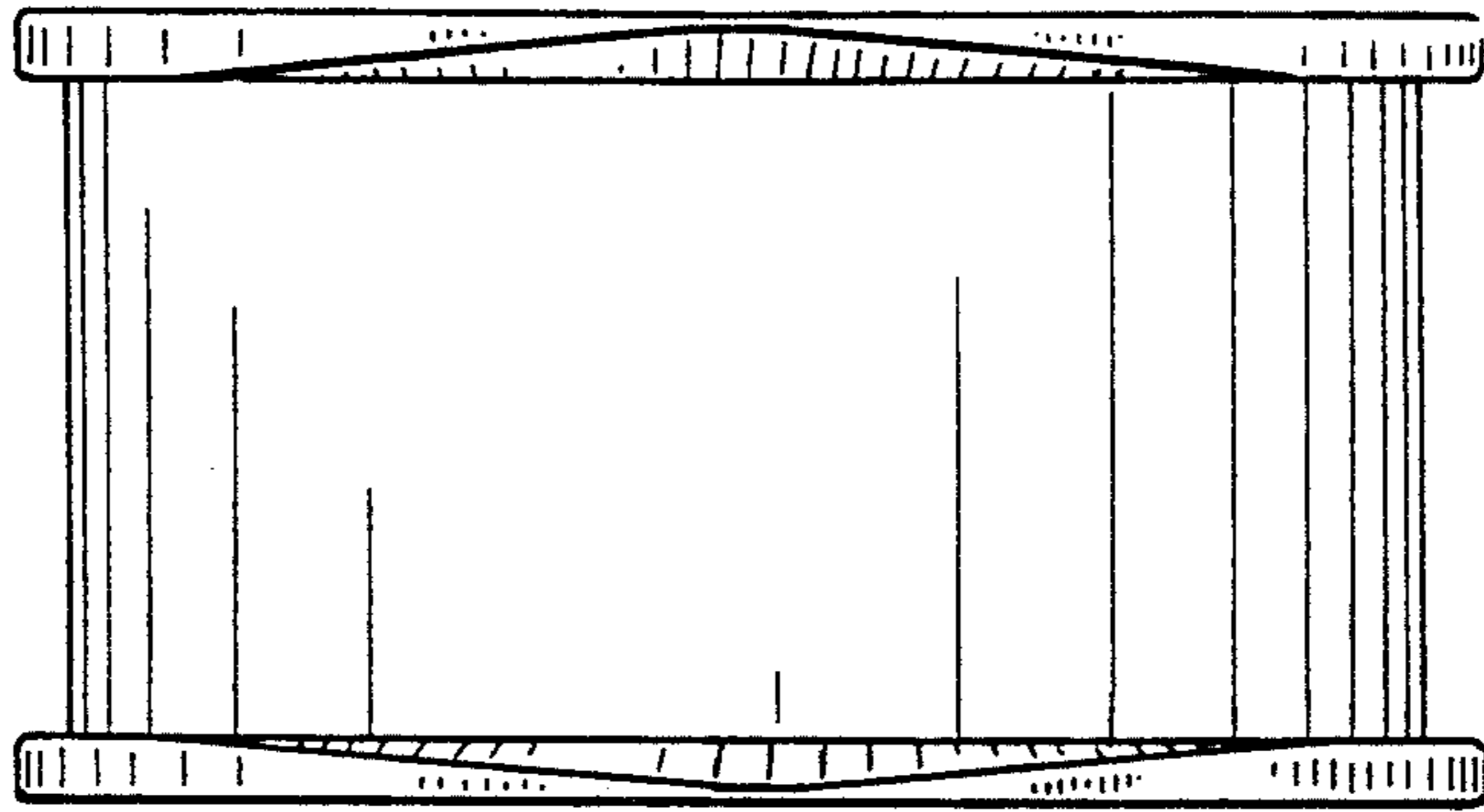


Fig. 2

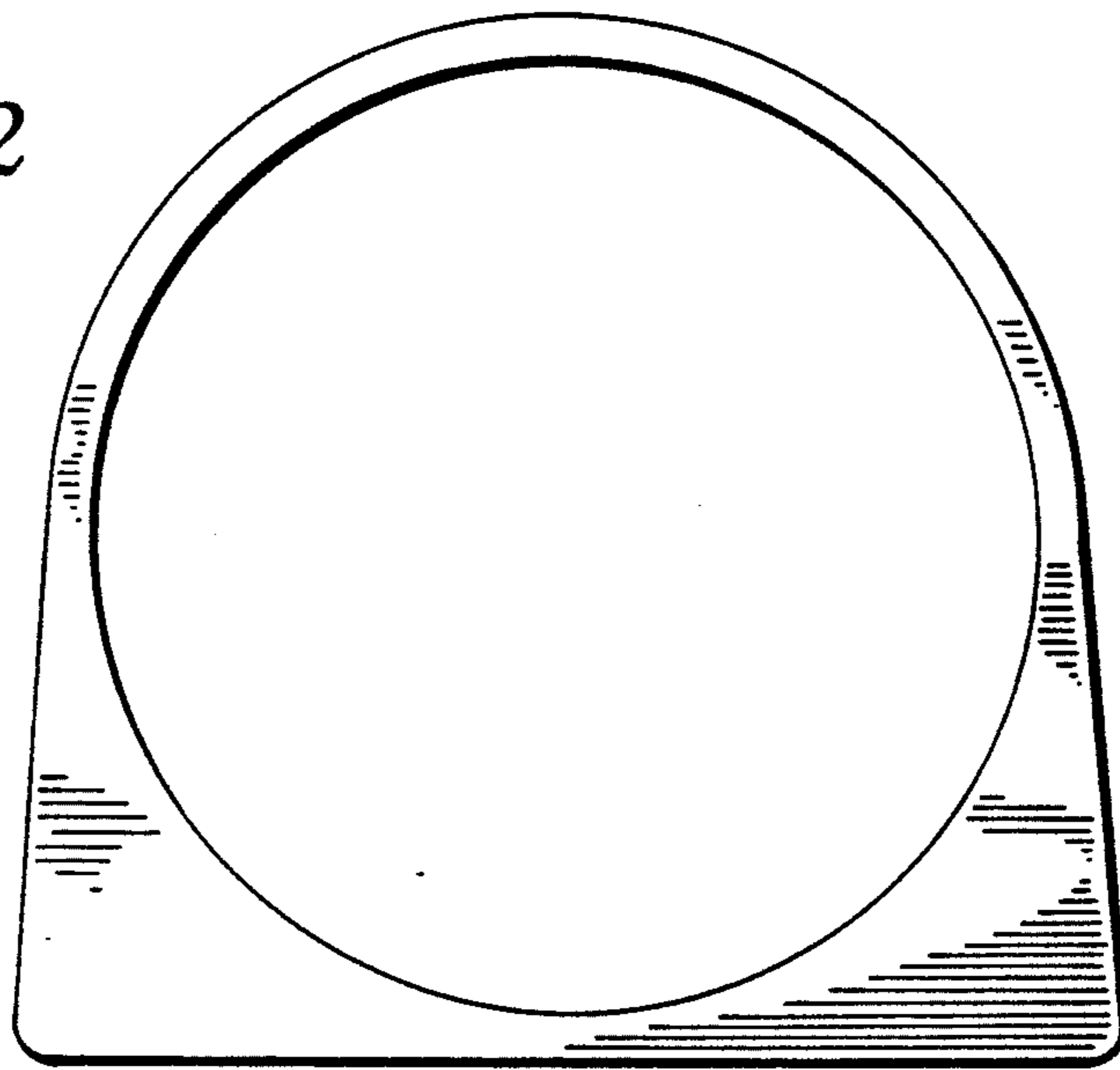


Fig. 3

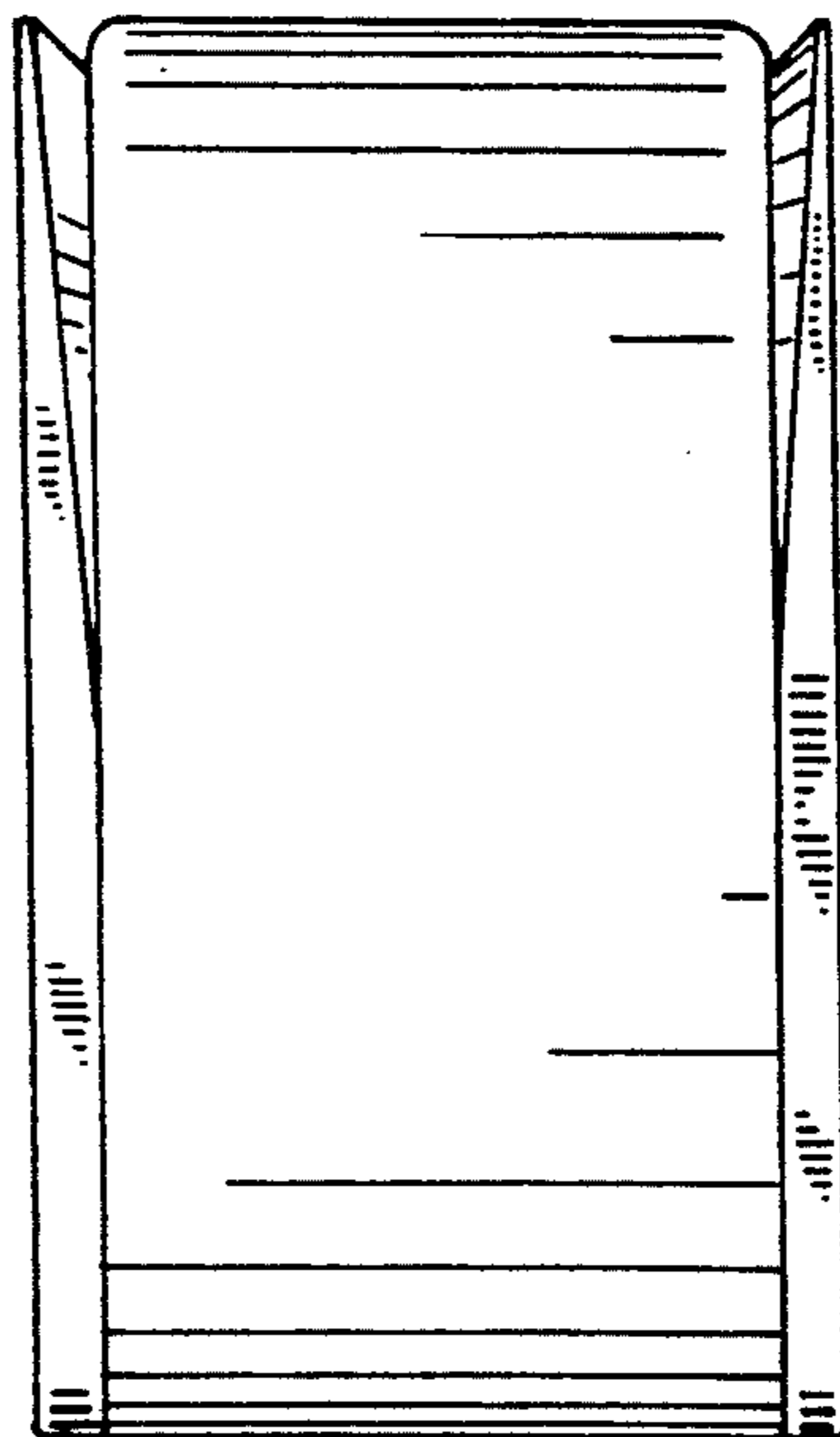


Fig. 4

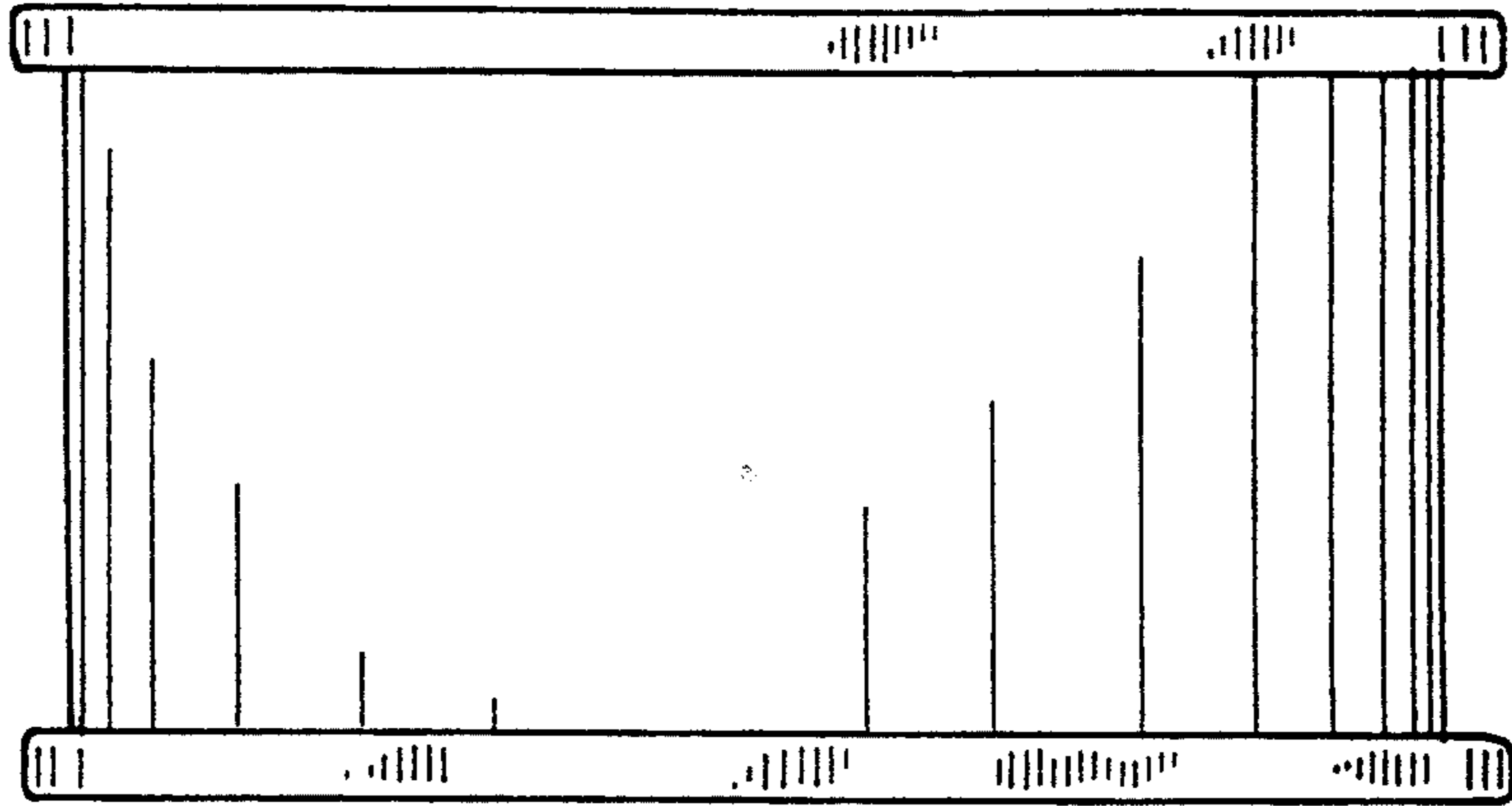


Fig. 5

