



US00D331321S

United States Patent [19]

[11] Patent Number: **Des. 331,321**

Gebaurer et al.

[45] Date of Patent: **** Dec. 1, 1992**

[54] **COMBINED PAINTING TOOL AND FEED PUMP**

1,115,098	10/1914	Patnode et al.	401/188 R
2,785,425	3/1957	Lenk	401/146
4,597,684	7/1986	O'Brien et al.	401/197
4,611,941	9/1986	Karliner et al.	401/207
4,639,156	1/1987	Stern et al.	401/146
5,054,947	10/1991	Frank et al.	401/146

[75] Inventors: **Gerhard Gebaurer, Bermatingen;
Ewald Kille, Friedrichshafen;
Manfred Kistler, Markdorf, all of
Fed. Rep. of Germany**

Primary Examiner—Wallace R. Burke
Assistant Examiner—Lavone D. Tabor
Attorney, Agent, or Firm—Hill, Van Santen, Steadman & Simpson

[73] Assignee: **J. Wagner GmbH, Fed. Rep. of
Germany**

[**] Term: **14 Years**

[57] CLAIM

[21] Appl. No.: **541,343**

The ornamental design for an combined painting tool and feed pump, as shown.

[22] Filed: **Jun. 21, 1990**

DESCRIPTION

[30] Foreign Application Priority Data

Dec. 21, 1989 [DE] Fed. Rep. of Germany 8908761
 [52] U.S. Cl. **D4/115**
 [58] Field of Search D4/115, 122, 199;
 D15/7, 9; D23/223, 225; D32/1, 15; 15/230.11;
 401/21, 42-43, 136-137, 144, 187, 188 R,
 196-197, 207, 218-220, 281, 289, 146-149;
 417/477

FIG. 1 is a right side perspective view of a combined painting tool and feed pump showing our new design; FIG. 2 is a left side elevational view thereof; FIG. 3 is a front elevational view thereof; FIG. 4 is a top plan view thereof; FIG. 5 is a rear elevational view thereof; FIG. 6 is a right side perspective view of a second embodiment of the design shown in FIG. 1; FIG. 7 is a right side elevational view thereof; FIG. 8 is a front elevational view thereof; FIG. 9 is a top plan view thereof; and, FIG. 10 is a rear elevational view thereof.

[56] References Cited

U.S. PATENT DOCUMENTS

D. 316,098 4/1991 Kille D15/7

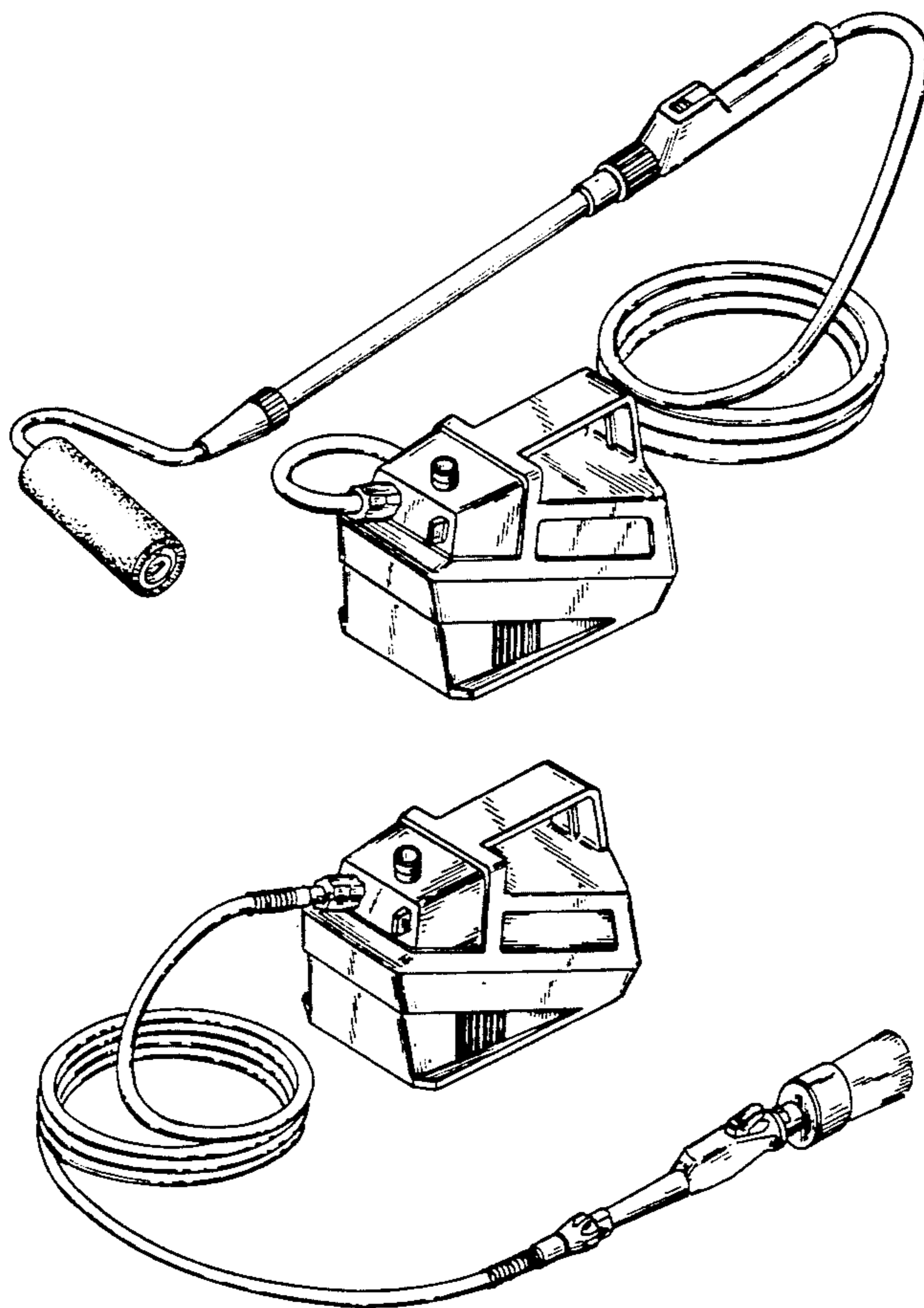


FIG. 1

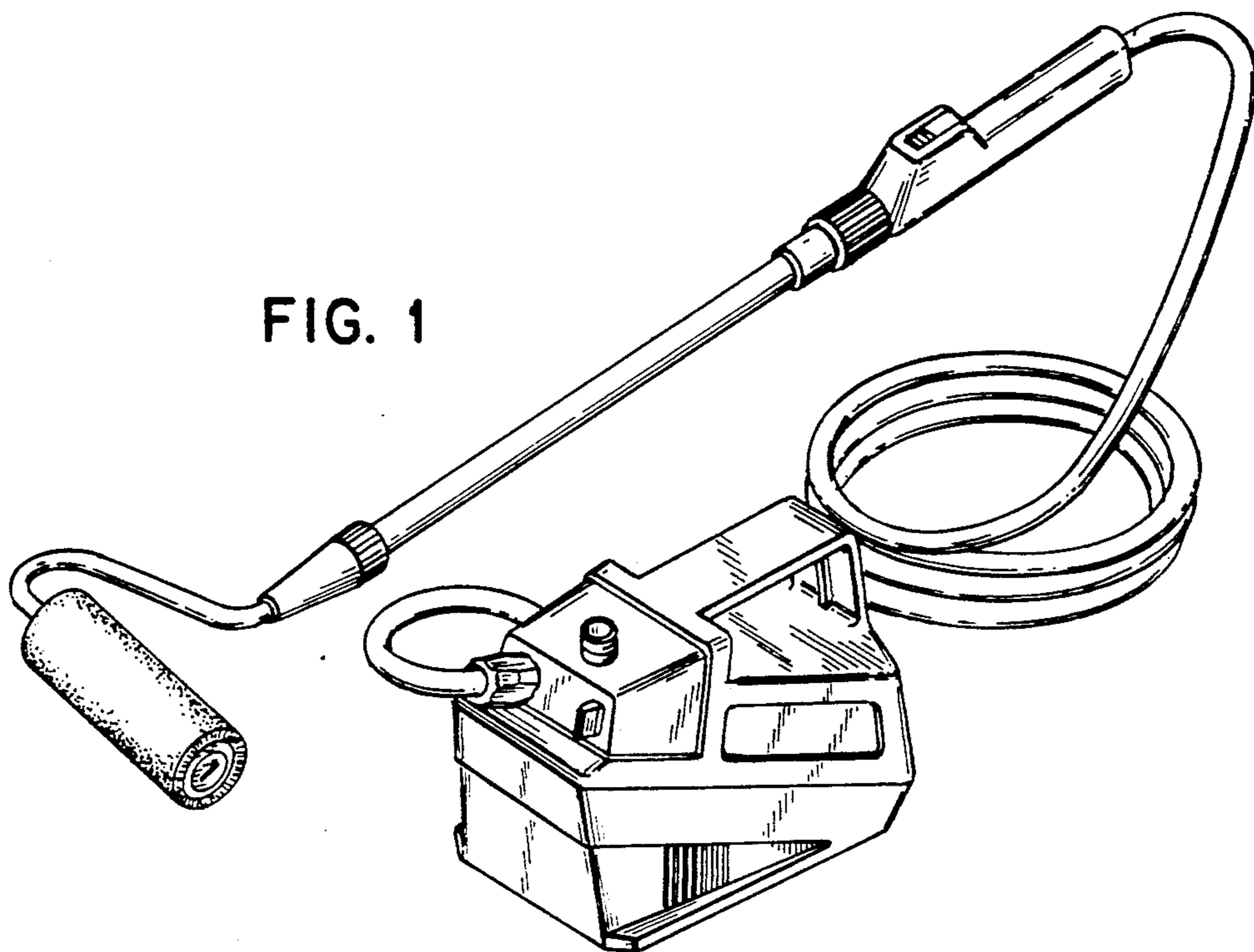


FIG. 2

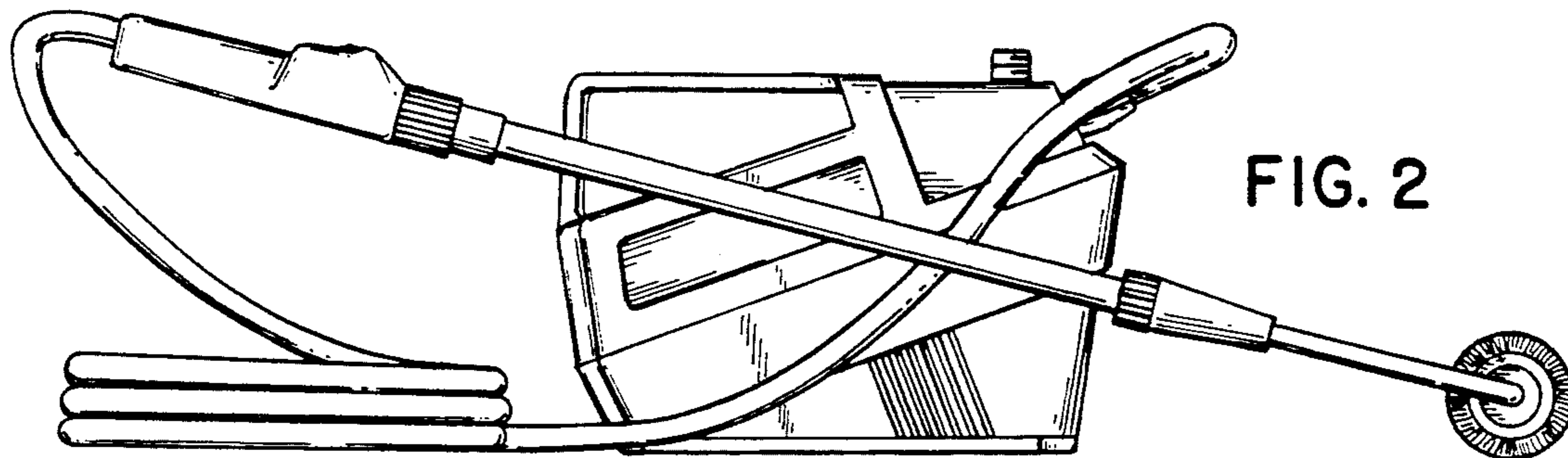


FIG. 3

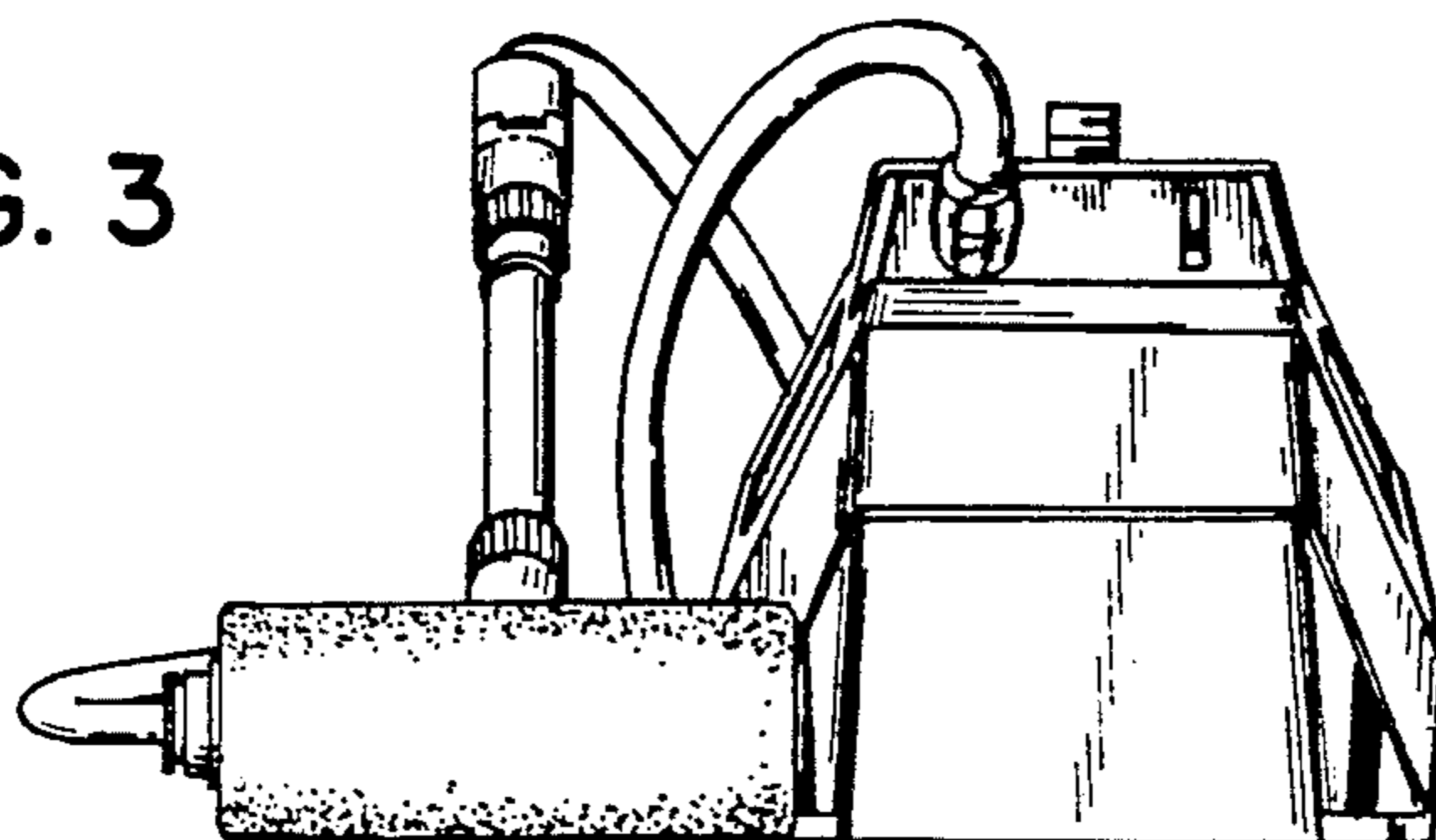


FIG. 4

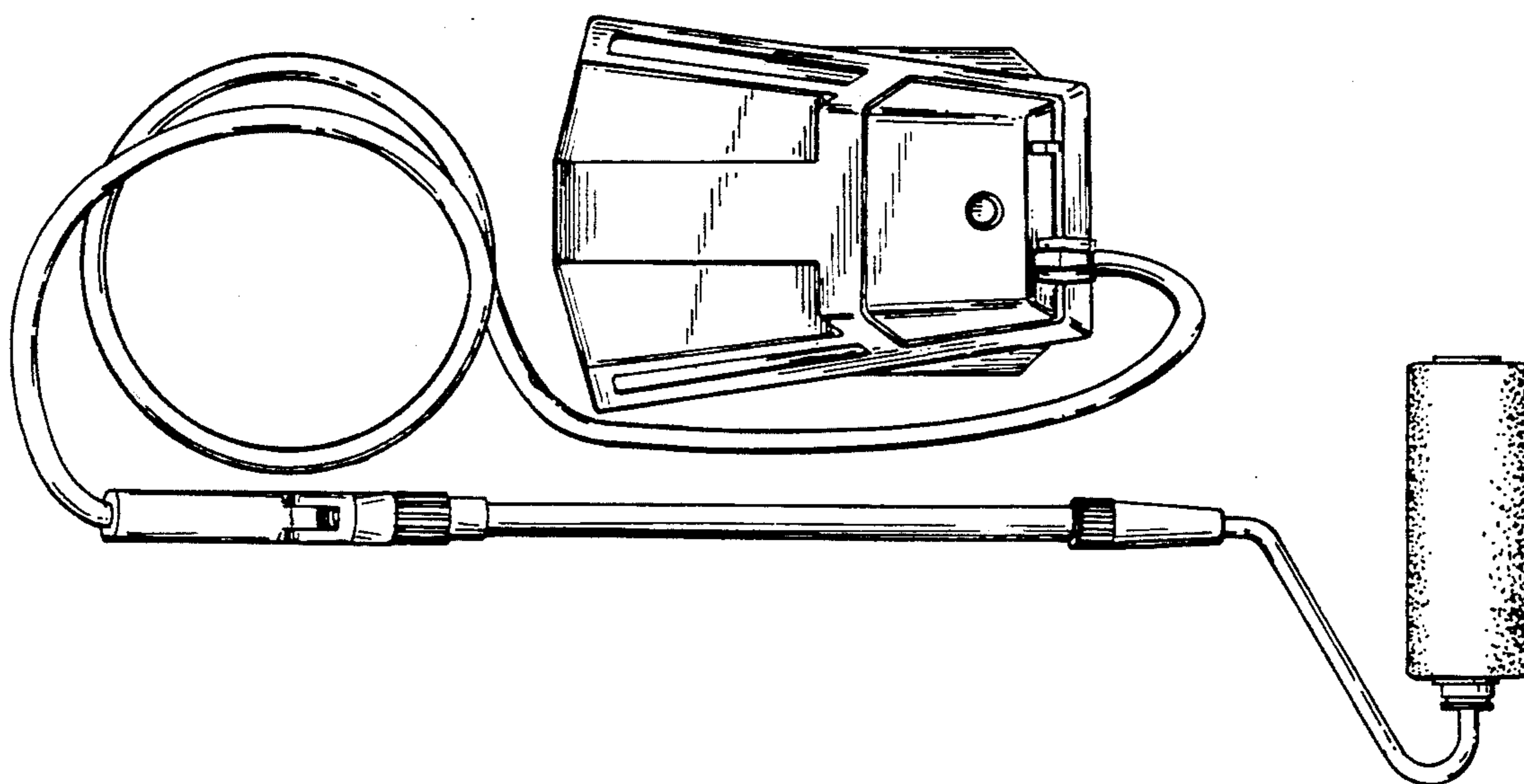


FIG. 5

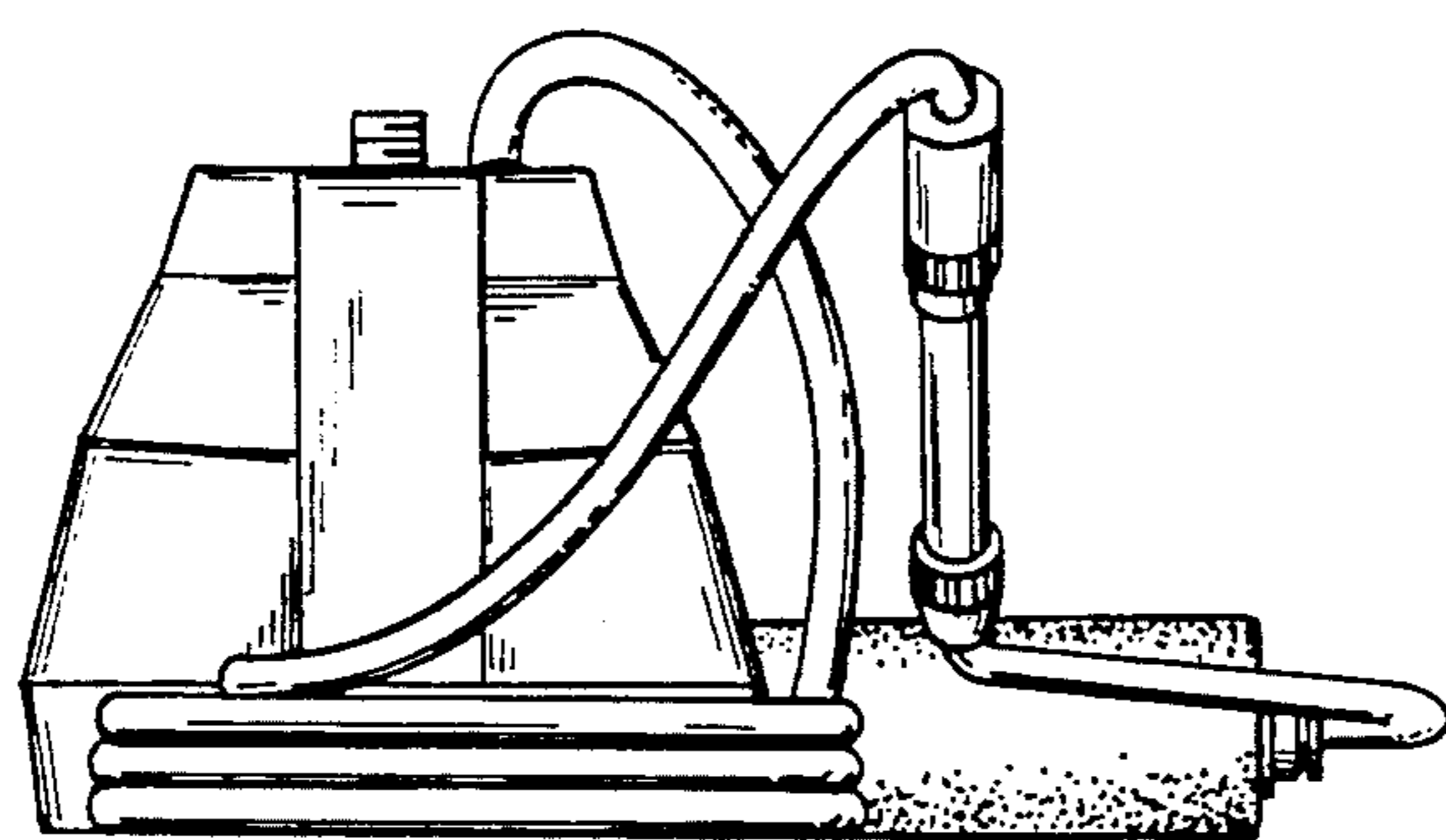


FIG. 6

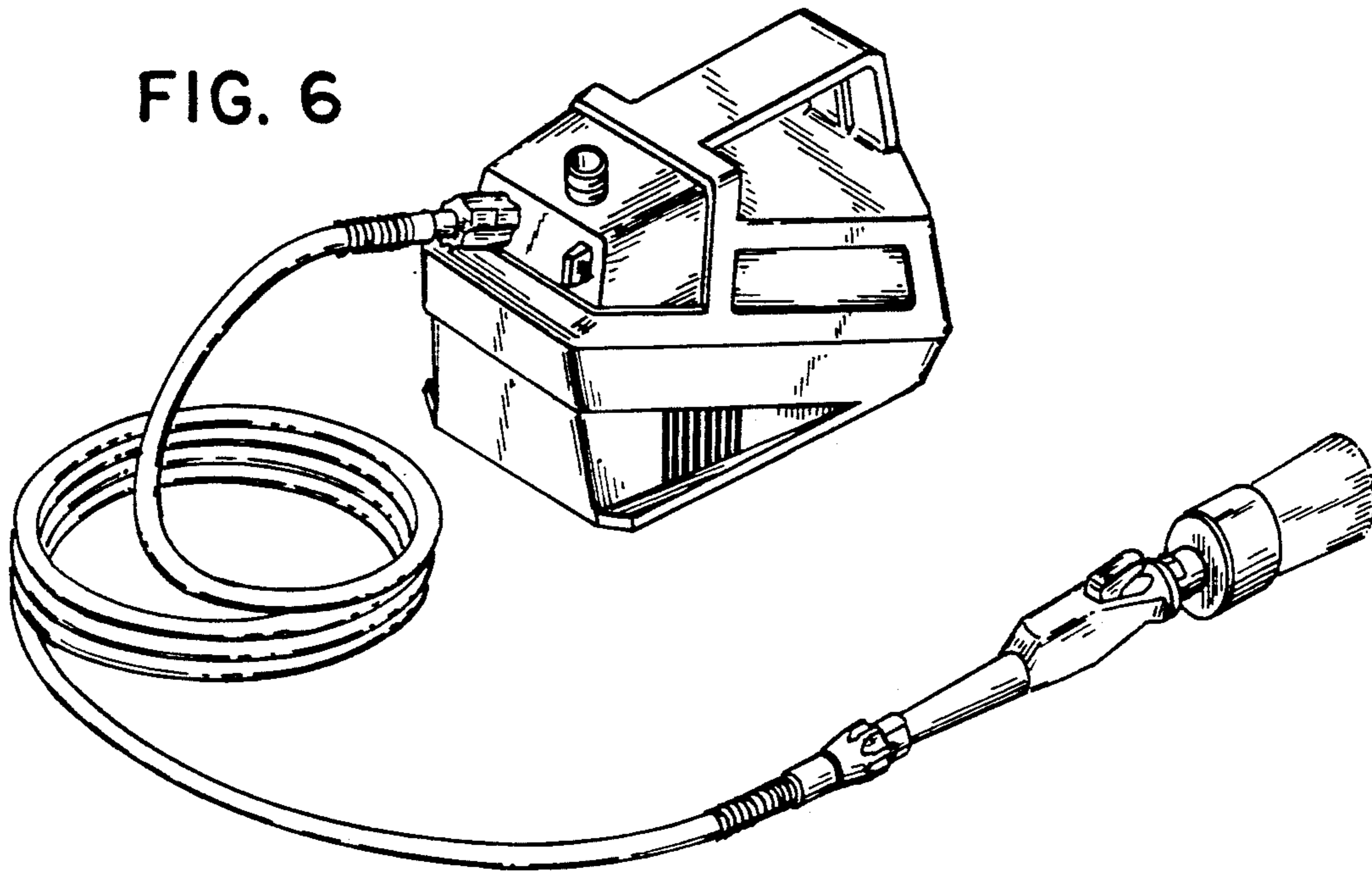


FIG. 7

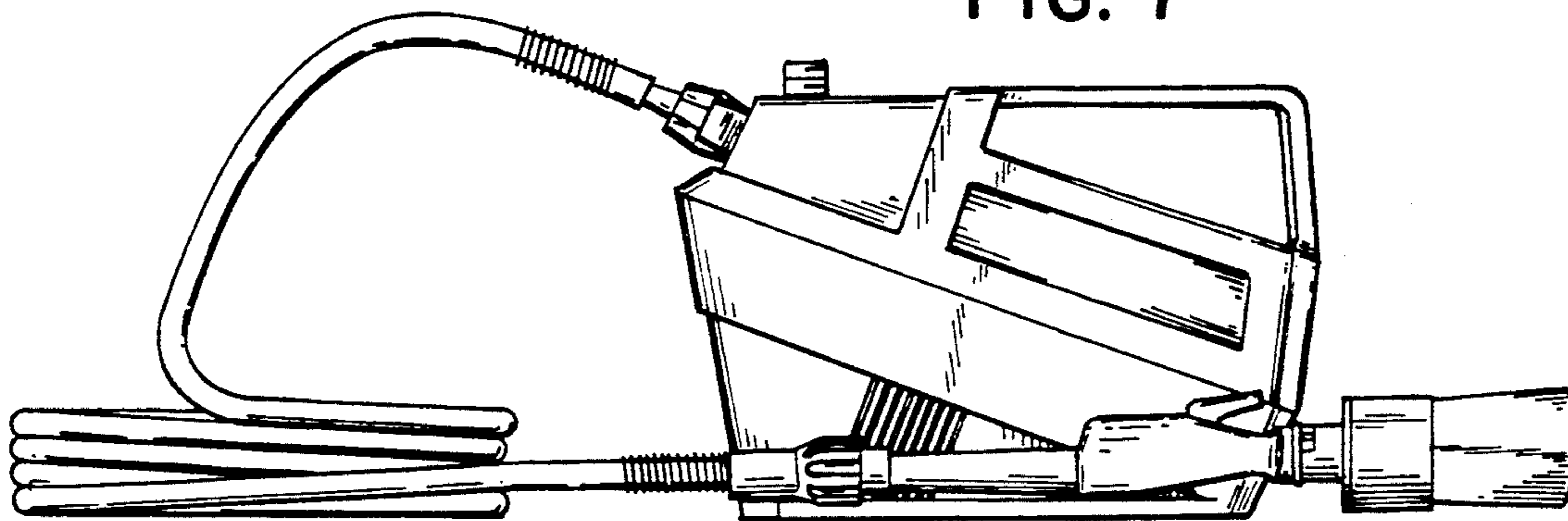


FIG. 8

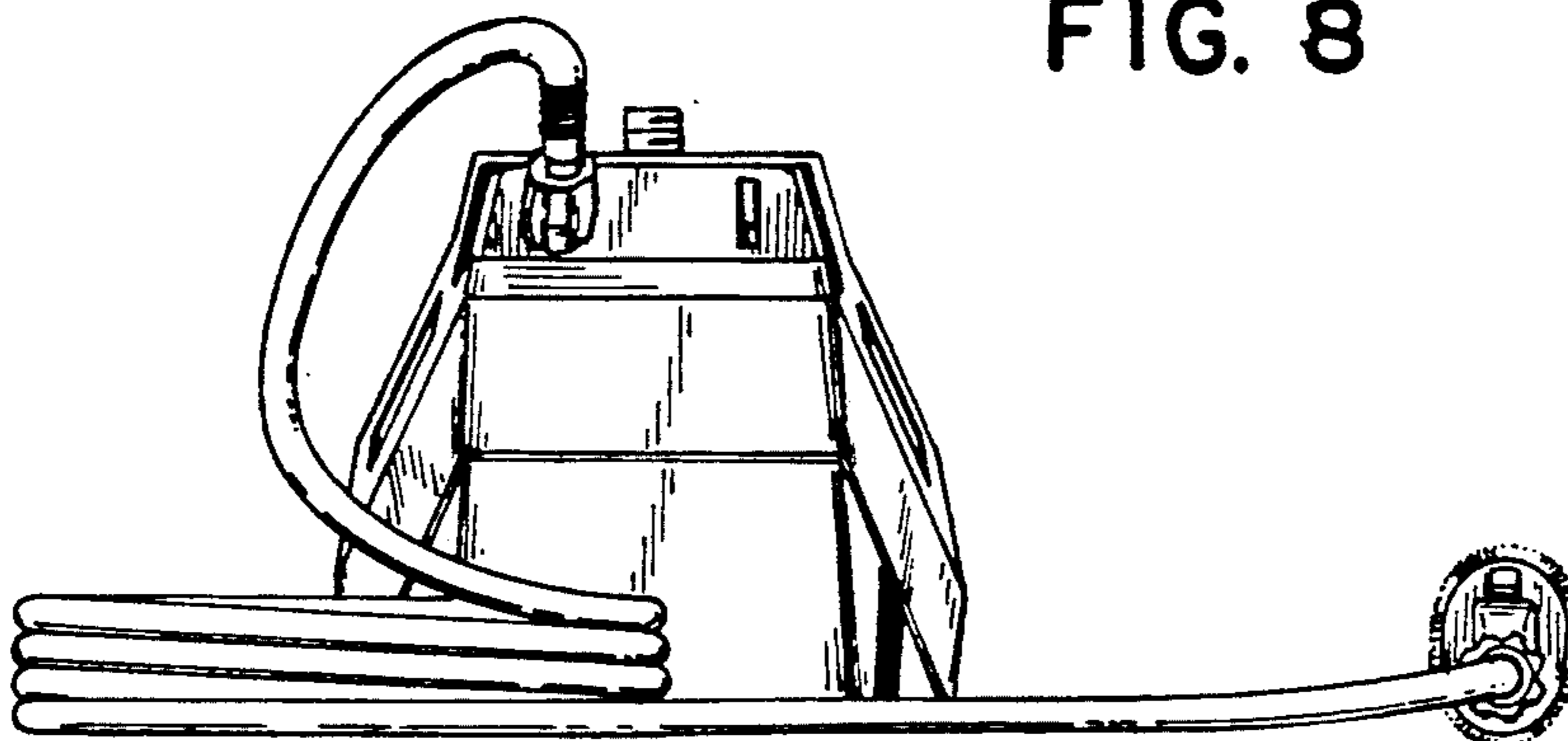


FIG. 9

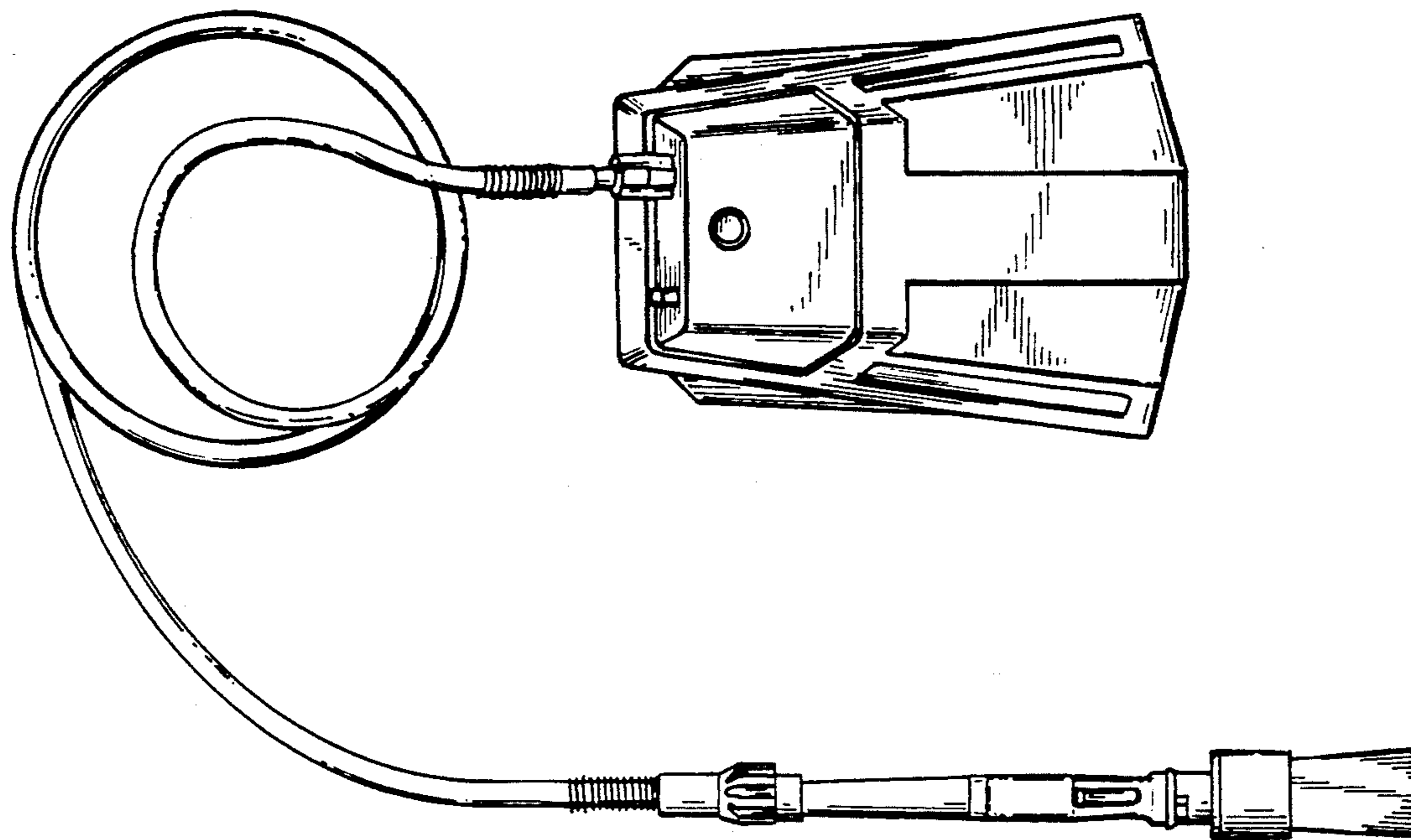


FIG. 10

