



US00D331319S

United States Patent [19]

[11] Patent Number: **Des. 331,319**

Stinson

[45] Date of Patent: **** Dec. 1, 1992**

[54] **ARROW QUIVER**

4,252,101 2/1981 Spitzke 224/916 X

[76] Inventor: **Robert E. Stinson, 7292 Peaceful Valley Rd., Acme, Mich. 49610**

Primary Examiner—A. Hugo Word
Assistant Examiner—Doris V. Coles
Attorney, Agent, or Firm—Price, Heneveld, Cooper, DeWitt & Litton

[**] Term: **14 Years**

[21] Appl. No.: **536,413**

[57] **CLAIM**

[22] Filed: **Jun. 11, 1990**

The ornamental design for an arrow quiver, as shown and described.

[52] U.S. Cl. **D3/100**

[58] Field of Search **D3/100, 36, 38; D22/107, 115; 124/25.5, 25.7, 88, 23.1, 24.1, 45, 41.1; 206/315.11; 273/DIG. 2; 224/916**

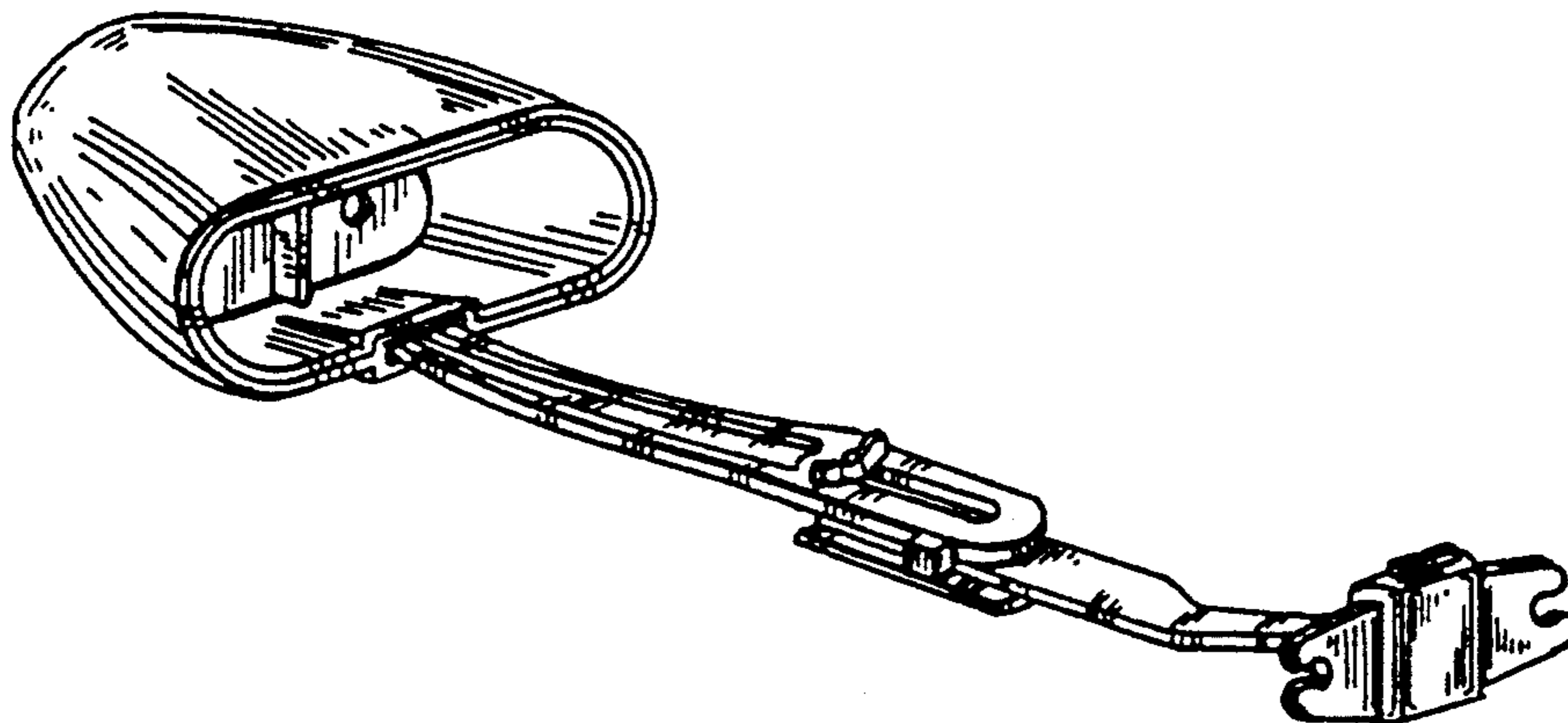
DESCRIPTION

[56] **References Cited**

U.S. PATENT DOCUMENTS

D. 223,353	4/1972	Adams	D3/100
D. 248,040	5/1978	Stinson	D3/100
3,591,062	7/1971	Karbo	224/916
4,073,328	2/1928	Franklin	206/315.11
4,156,496	5/1979	Stinson	124/25.7

FIG. 1 is a perspective view of an arrow quiver, showing my new design;
FIG. 2 is an enlarged front elevational view thereof;
FIG. 3 is a rear elevational view thereof;
FIG. 4 is a top plan view thereof;
FIG. 5 is a bottom plan view thereof;
FIG. 6 is a cross-sectional view, taken along line 6—6 of FIG. 2;
FIG. 7 is a right side elevational view thereof; and,
FIG. 8 is a right side elevational view thereof.



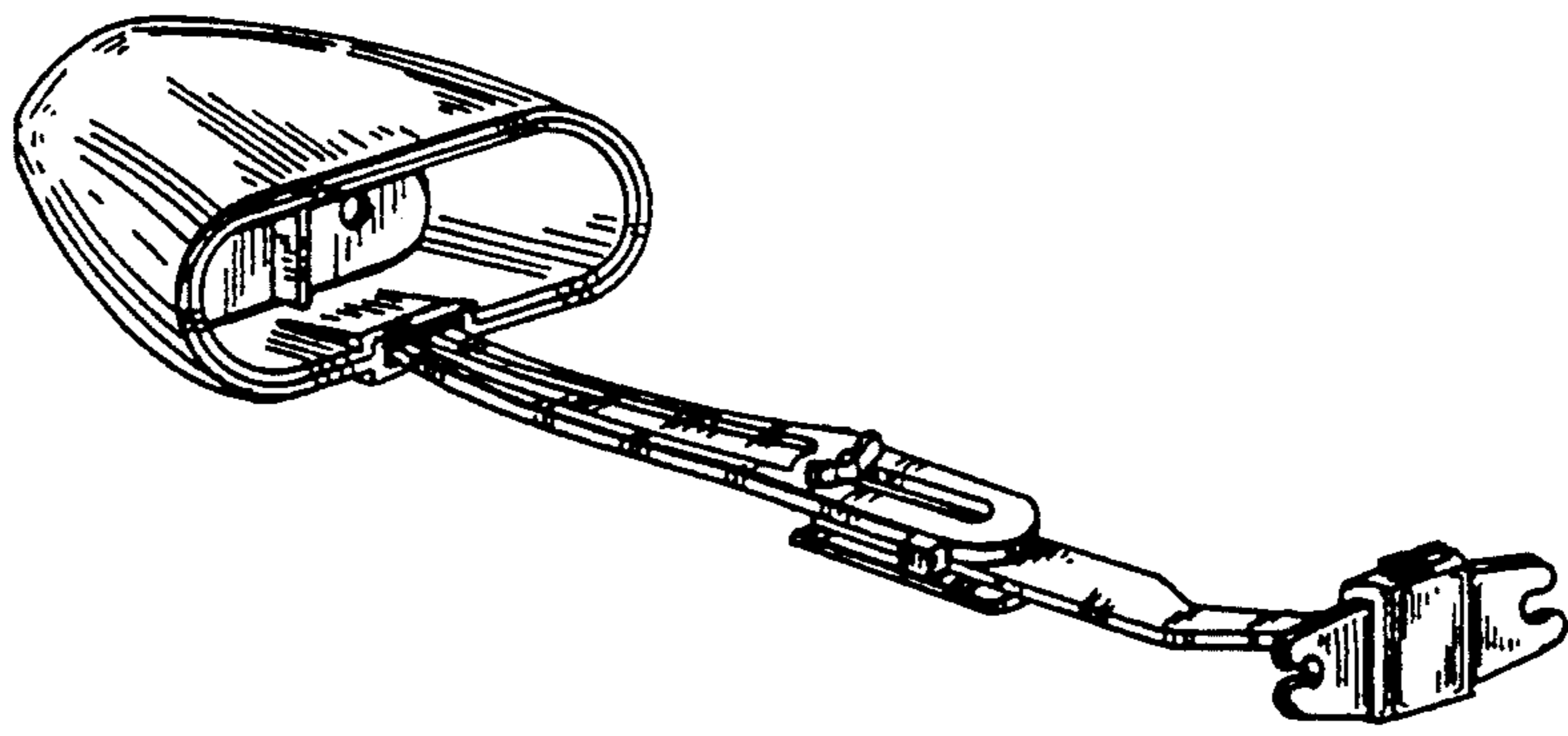


FIG. 1

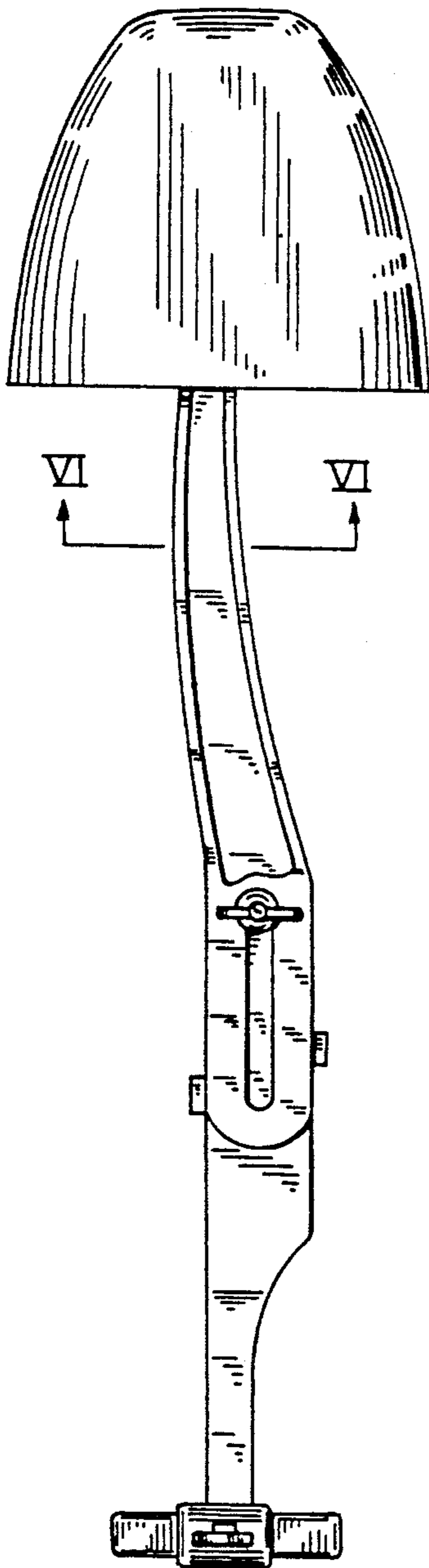


FIG. 2

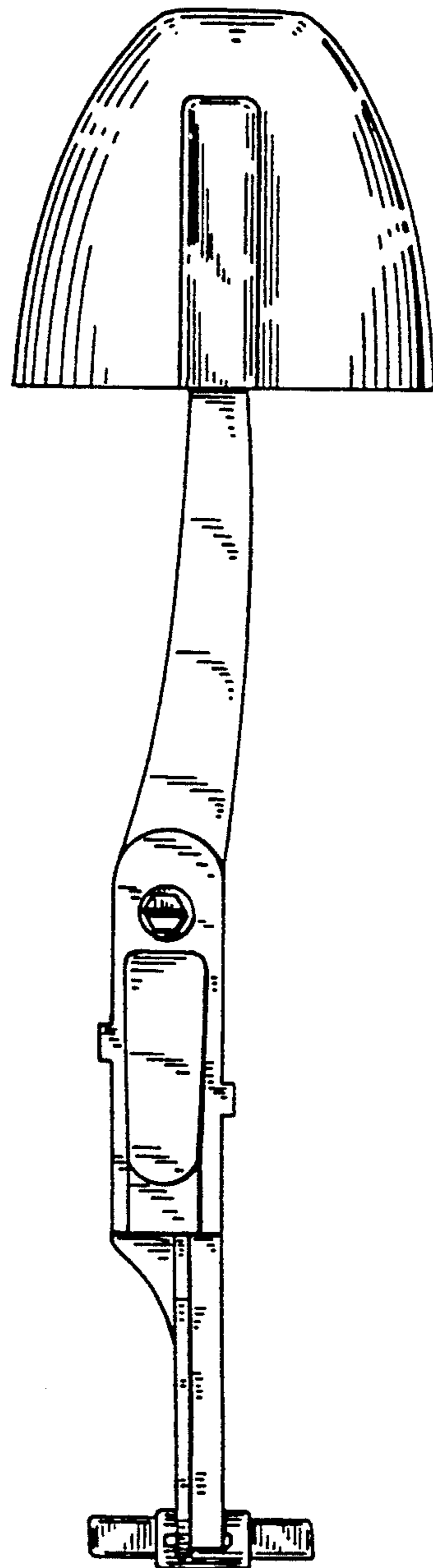


FIG. 3

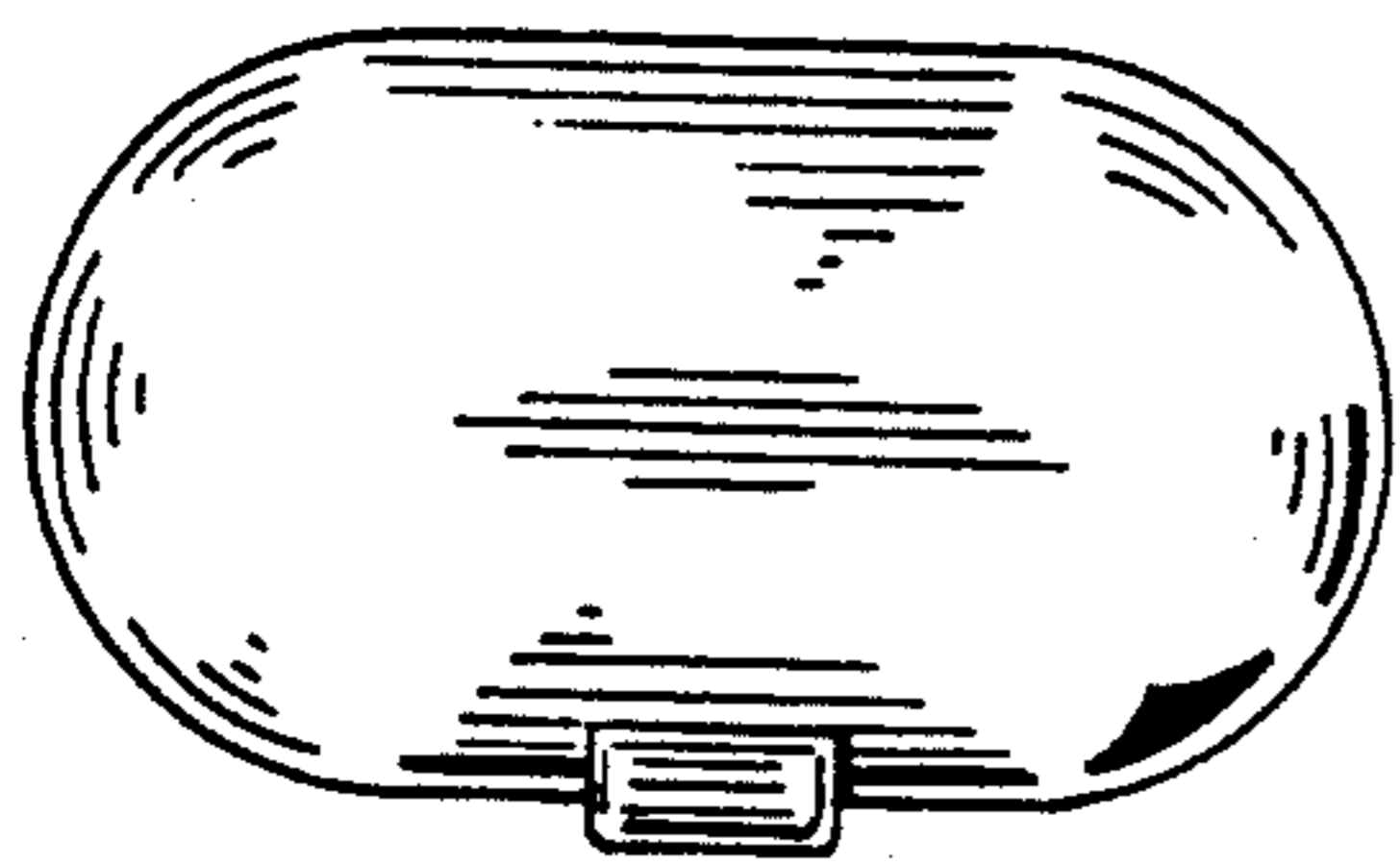


FIG. 4

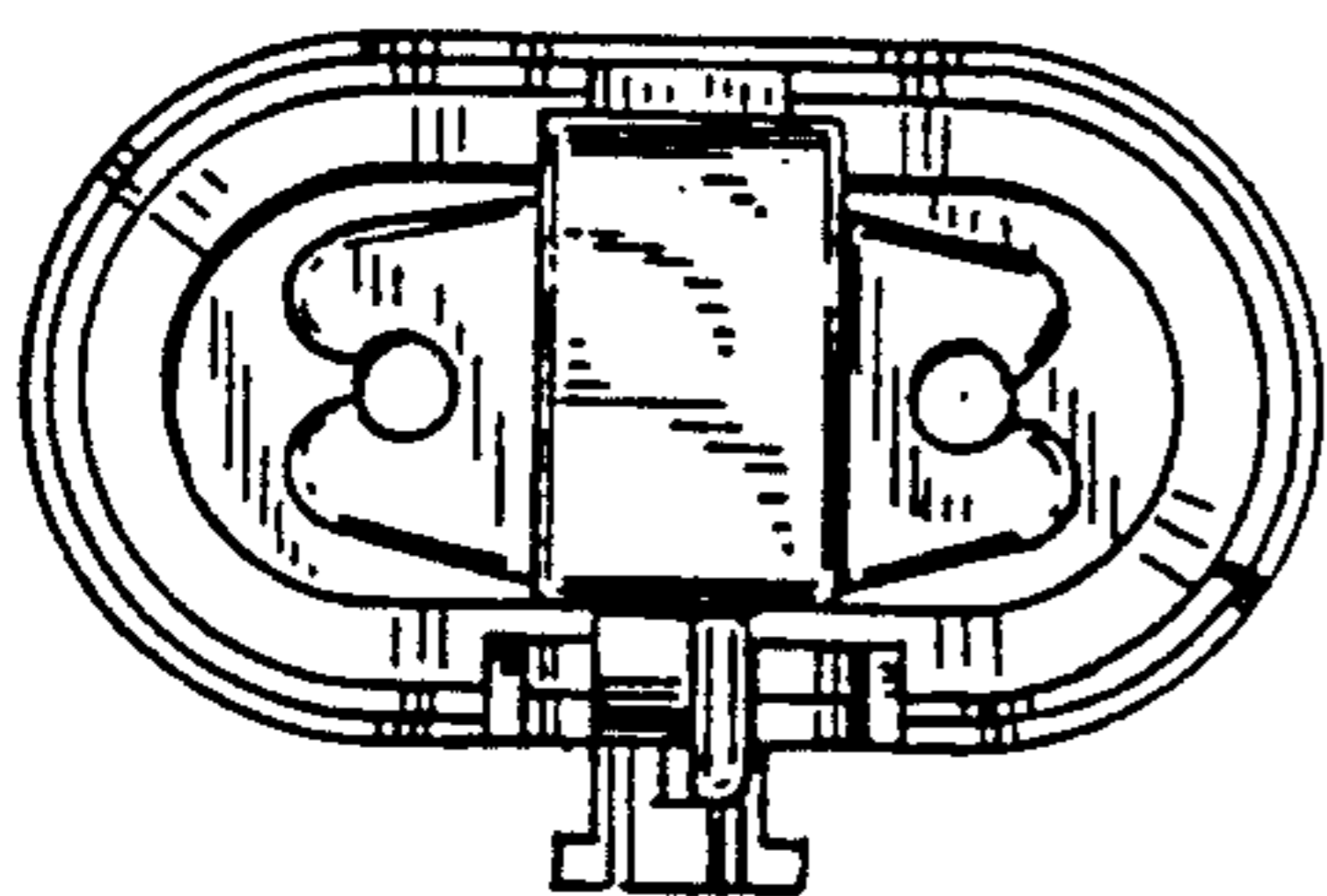


FIG. 5

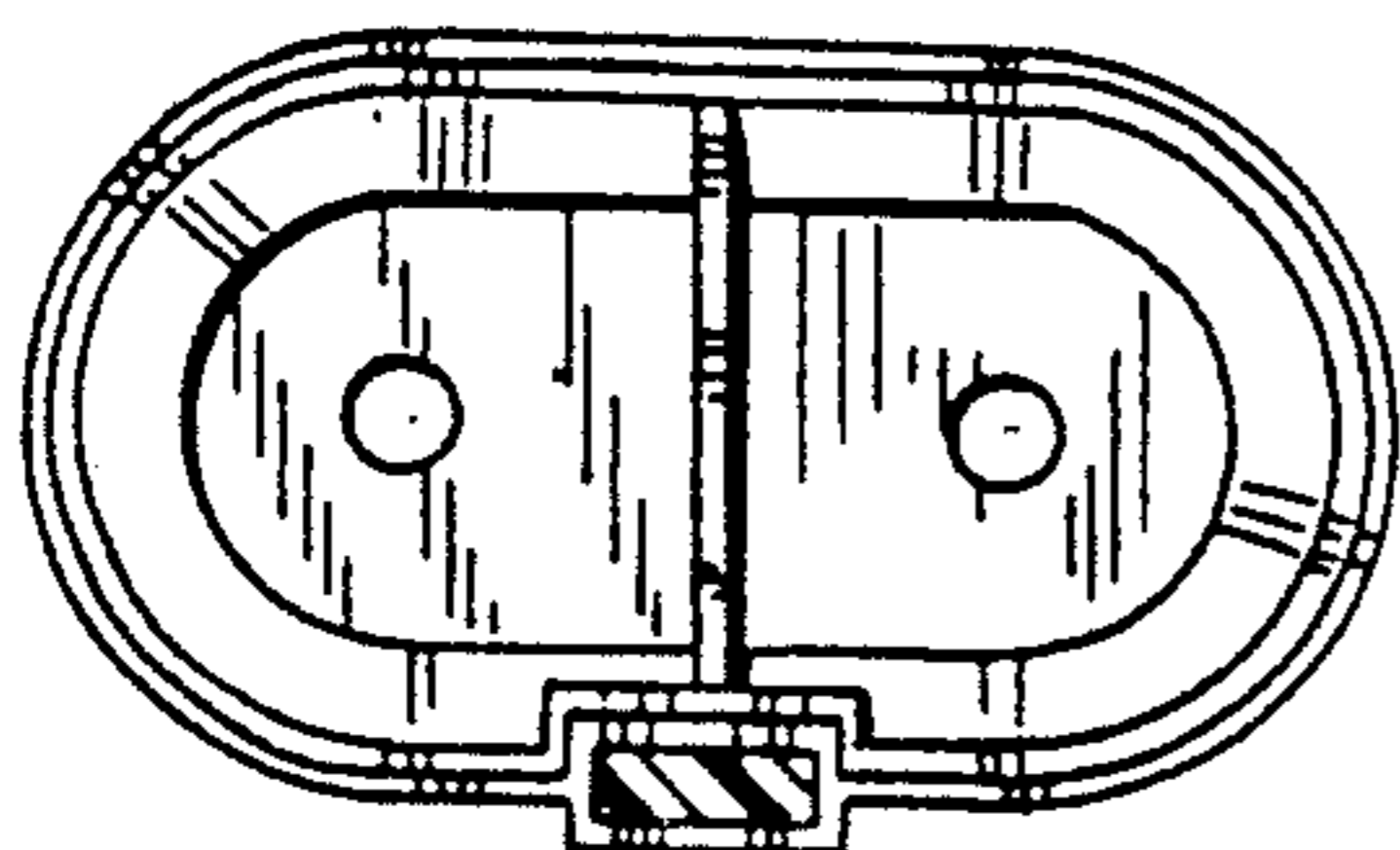


FIG. 6

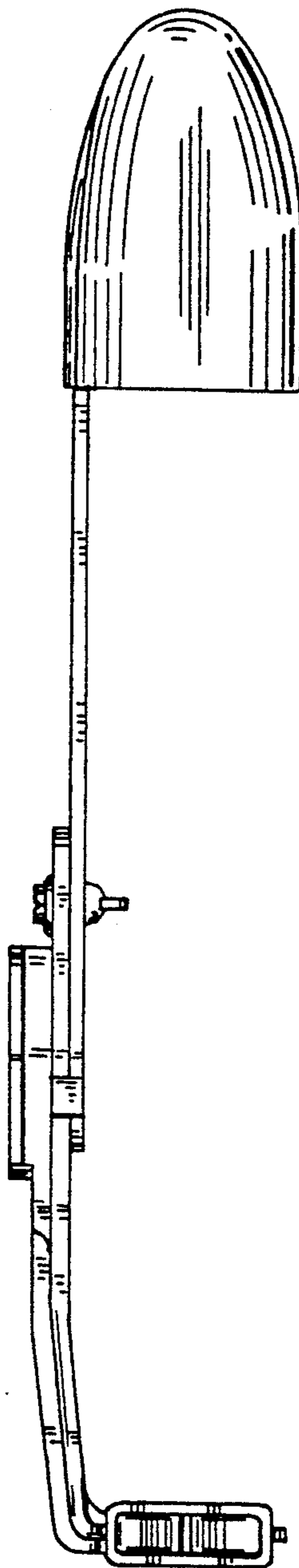


FIG. 7

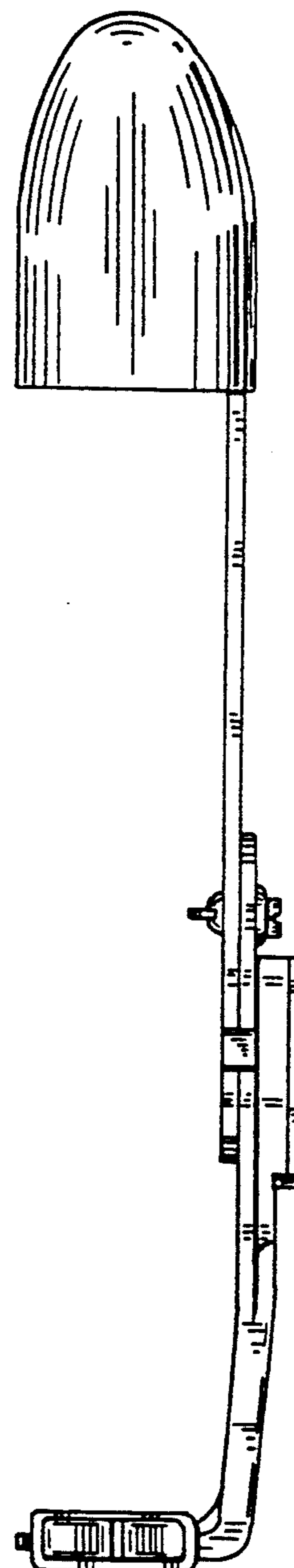


FIG. 8

UNITED STATES PATENT AND TRADEMARK OFFICE
CERTIFICATE OF CORRECTION

PATENT NO. : D331,319

DATED : December 1, 1992

INVENTOR(S) : Robert E. Stinson

It is certified that error appears in the above-identified patent and that said Letters Patent is hereby corrected as shown below:

Title page, col. 2, line 9,

In the Description relative to Fig. 7, "right" should be --left--.

Signed and Sealed this
Nineteenth Day of October, 1993

Attest:



BRUCE LEHMAN

Attesting Officer

Commissioner of Patents and Trademarks