



US00D331316S

United States Patent [19]

[11] **Patent Number: Des. 331,316**

Lord

[45] **Date of Patent: ** Dec. 1, 1992**

[54] **EMBROIDERY WOOL CASE**

[56] **References Cited**

[76] **Inventor: Barbara Lord, 234 64-40 Center Street N.E., Calgary, Alberta T2K 5C5, Canada**

U.S. PATENT DOCUMENTS

D. 90,789	9/1933	Steinhaus	D3/25
D. 253,483	11/1979	Thuringer	D3/23 X
792,563	6/1905	Turner	206/388
1,945,123	1/1934	Stiegler	223/107
4,111,341	9/1978	Carrozo	223/106

[**] **Term: 14 Years**

*Primary Examiner—Louis S. Zarfes
Attorney, Agent, or Firm—James D. Hall*

[21] **Appl. No.: 621,504**

[57] CLAIM

[22] **Filed: Nov. 30, 1990**

The ornamental design for an embroidery wool case, as shown and described.

[30] Foreign Application Priority Data

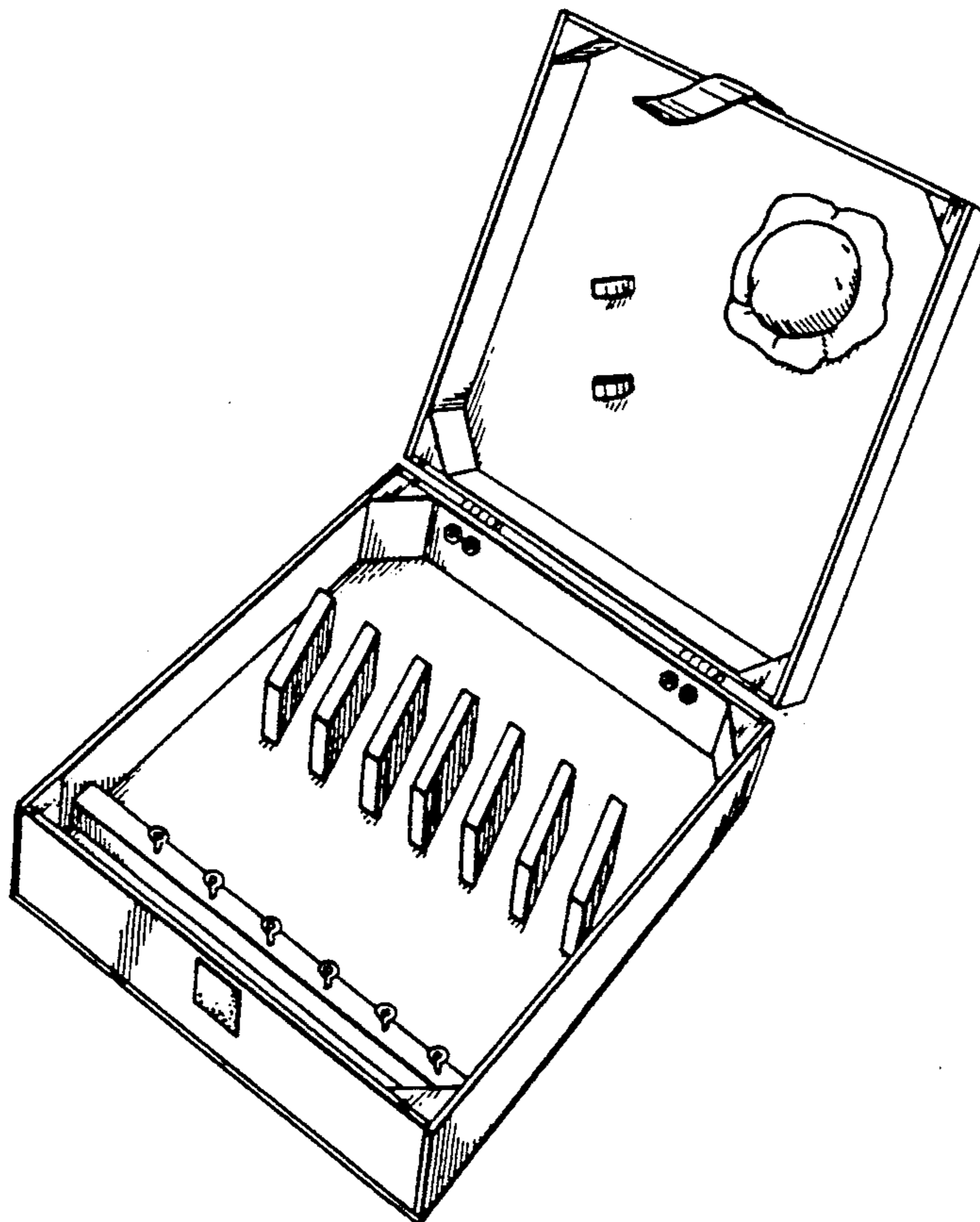
Jun. 7, 1990 [CA] Canada 0706902

[52] **U.S. Cl. D3/23; D3/25**

[58] **Field of Search D3/18, 20, 23, 24, 25; 66/116-118; 223/106-109 A, 111, 120, 99; 206/227, 380, 388, 51 A; 38/102-102.2**

DESCRIPTION

FIG. 1 is a front perspective view from above of an embroidery wool case showing my new design in an open condition; and, FIG. 2 is a rear perspective view thereof from below.



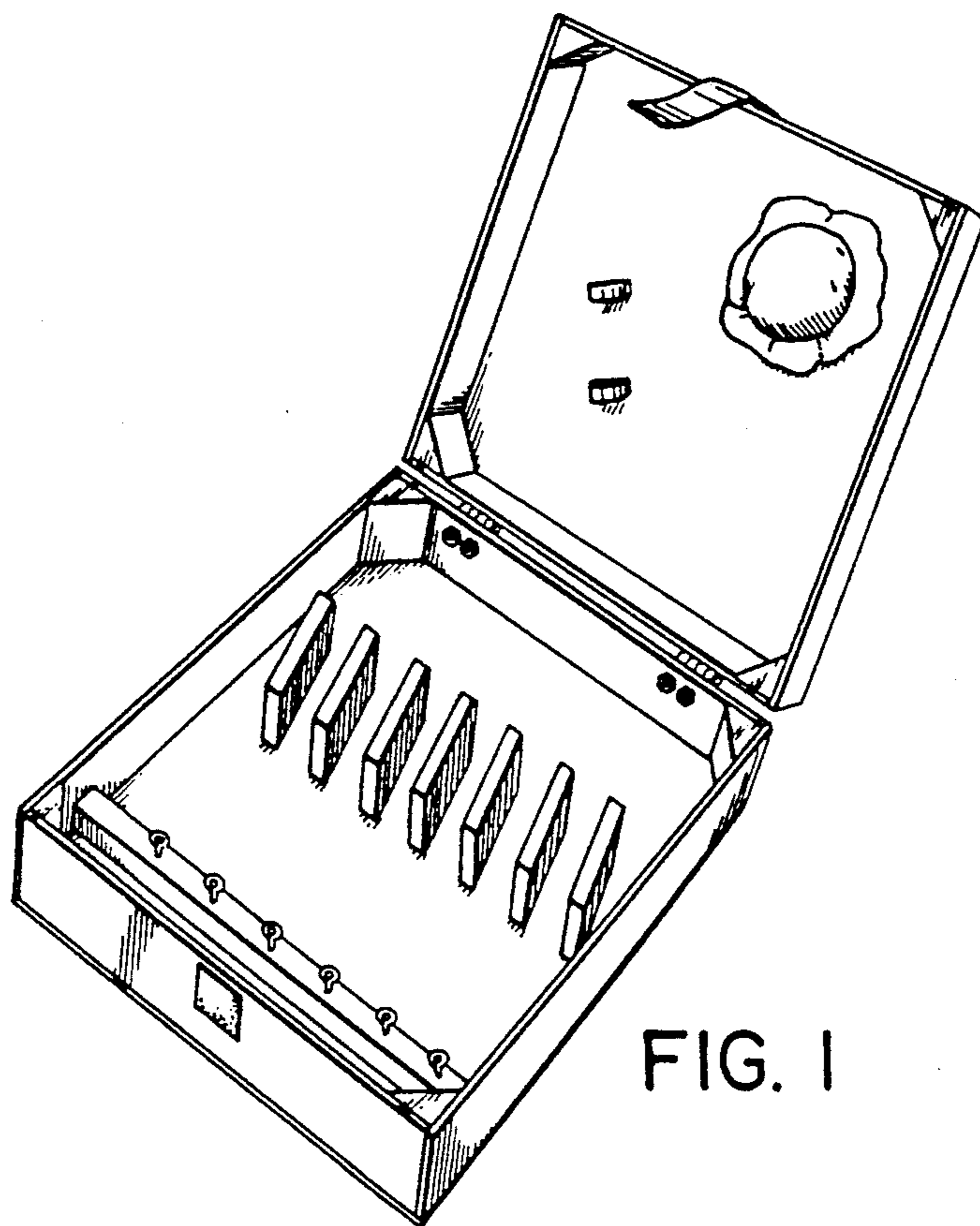


FIG. 1

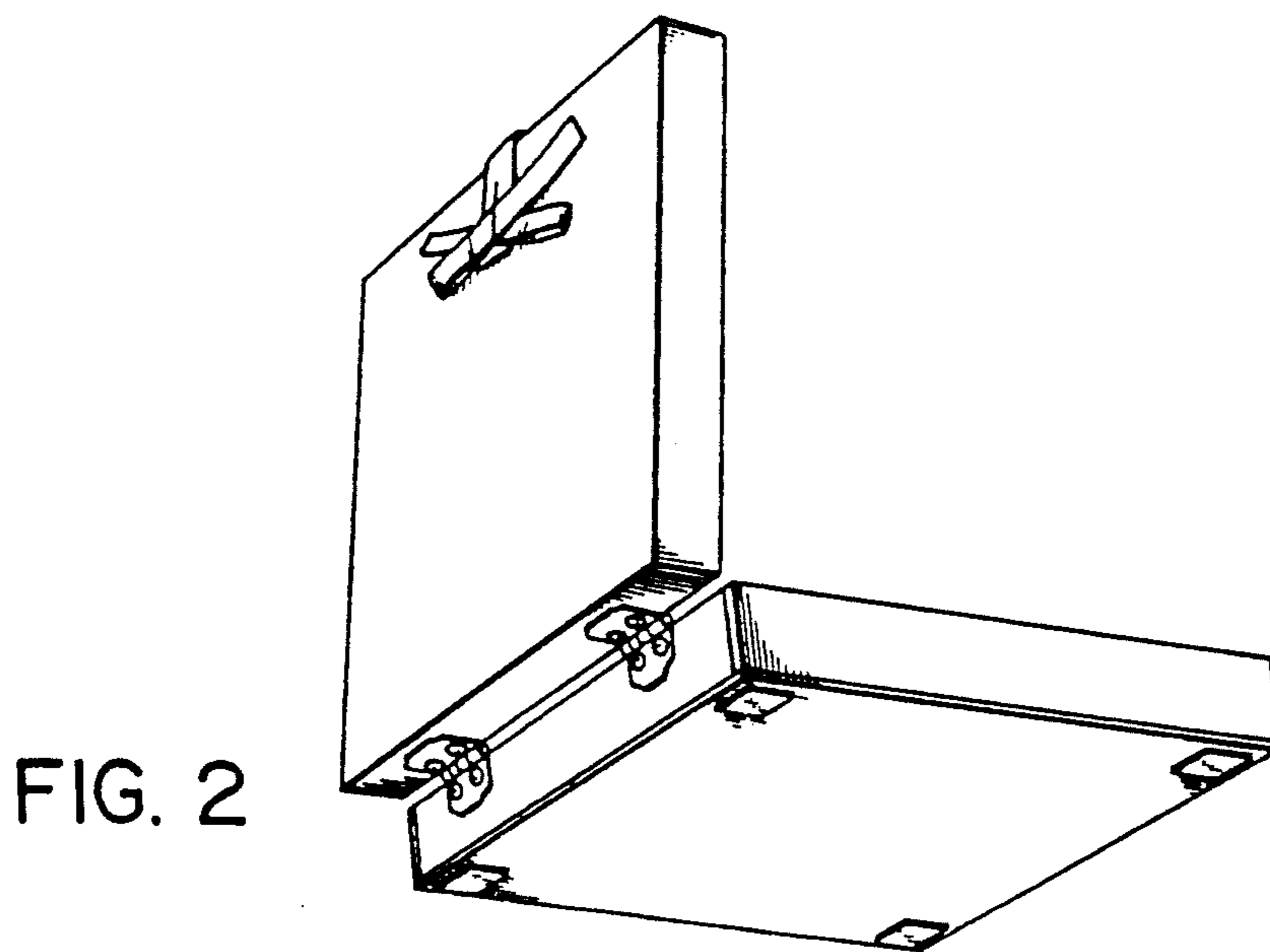


FIG. 2