



US00D331307S

United States Patent [19]

[11] Patent Number: **Des. 331,307**

McConnell

[45] Date of Patent: **** Nov. 24, 1992**

[54] **CHILD'S COMPARTMENTED CARRYING TRAY**

D. 275,918 10/1984 Taylor D34/40 X
D. 317,220 5/1991 Diamond D34/40
3,359,873 12/1967 Carle et al. 206/203 X
3,892,331 7/1975 Beck 312/DIG. 33 X

[76] Inventor: **Thomas E. McConnell**, 1568 Calzada Ave., Santa Ynez, Calif. 93460

Primary Examiner—Melvin B. Feifer
Assistant Examiner—Prabhakar Deskmukh
Attorney, Agent, or Firm—Stetina and Brunda

[**] Term: **14 Years**

[21] Appl. No.: **560,342**

[57] **CLAIM**

[22] Filed: **Jul. 31, 1990**

The ornamental design for a child's compartmented carrying tray, as shown and described.

[52] U.S. Cl. **D34/45**

[58] Field of Search D34/40-46;
D9/341; 206/142, 203, 198, 374, 375, 510, 518;
220/94 R, 94 A, 96; 312/DIG. 33

DESCRIPTION

[56] **References Cited**

U.S. PATENT DOCUMENTS

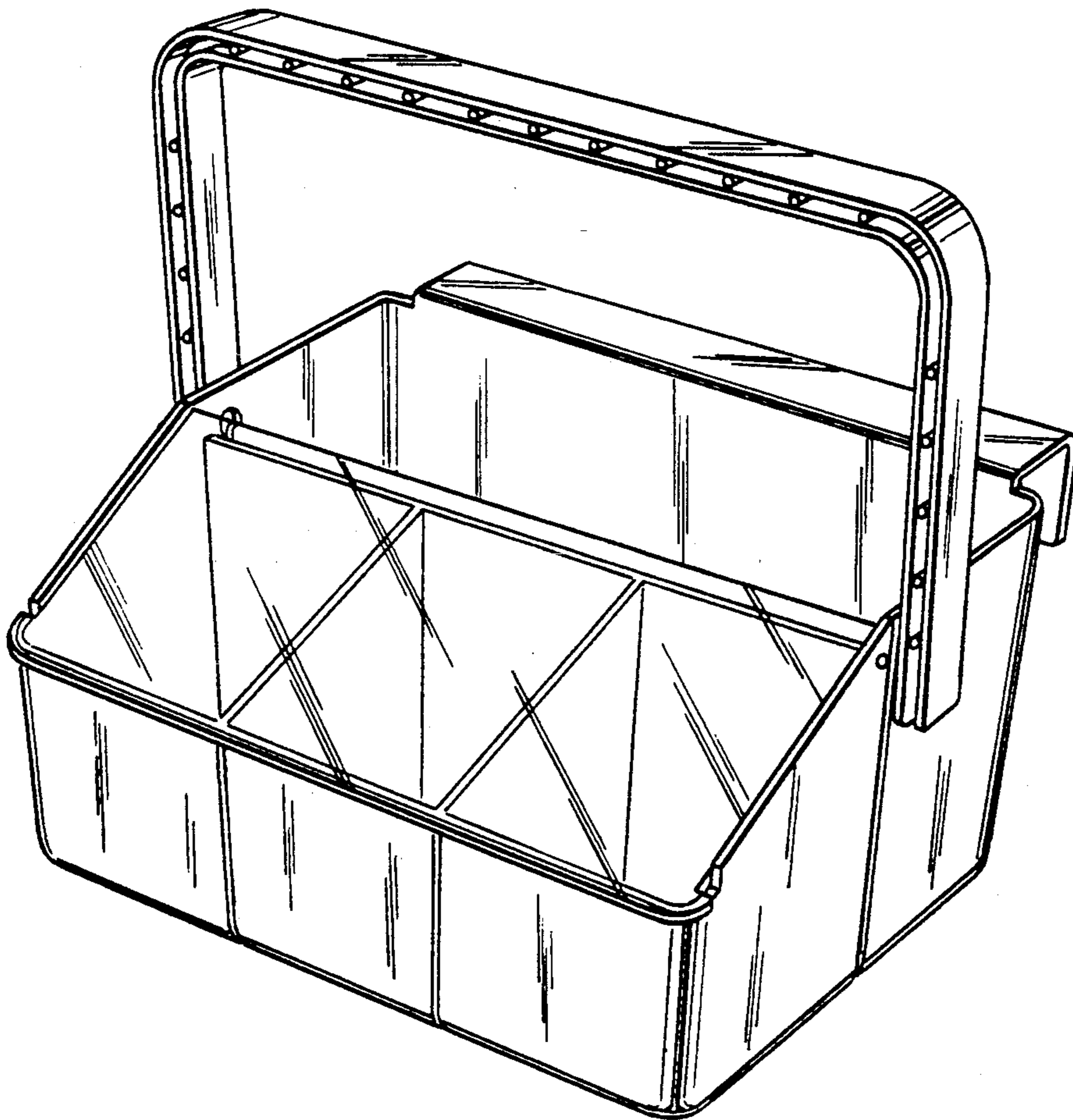
D. 154,436 7/1949 Solworth D34/44
D. 155,392 10/1949 Danielson D34/44 X
D. 168,277 11/1952 Roberts D34/44

FIG. 1 is a top and front sides perspective view of a child's compartmented carrying tray showing my new design;

FIG. 2 is a bottom and rear sides perspective view thereof;

FIG. 3 is a top plan view thereof; and,

FIG. 4 is a bottom plan view thereof.



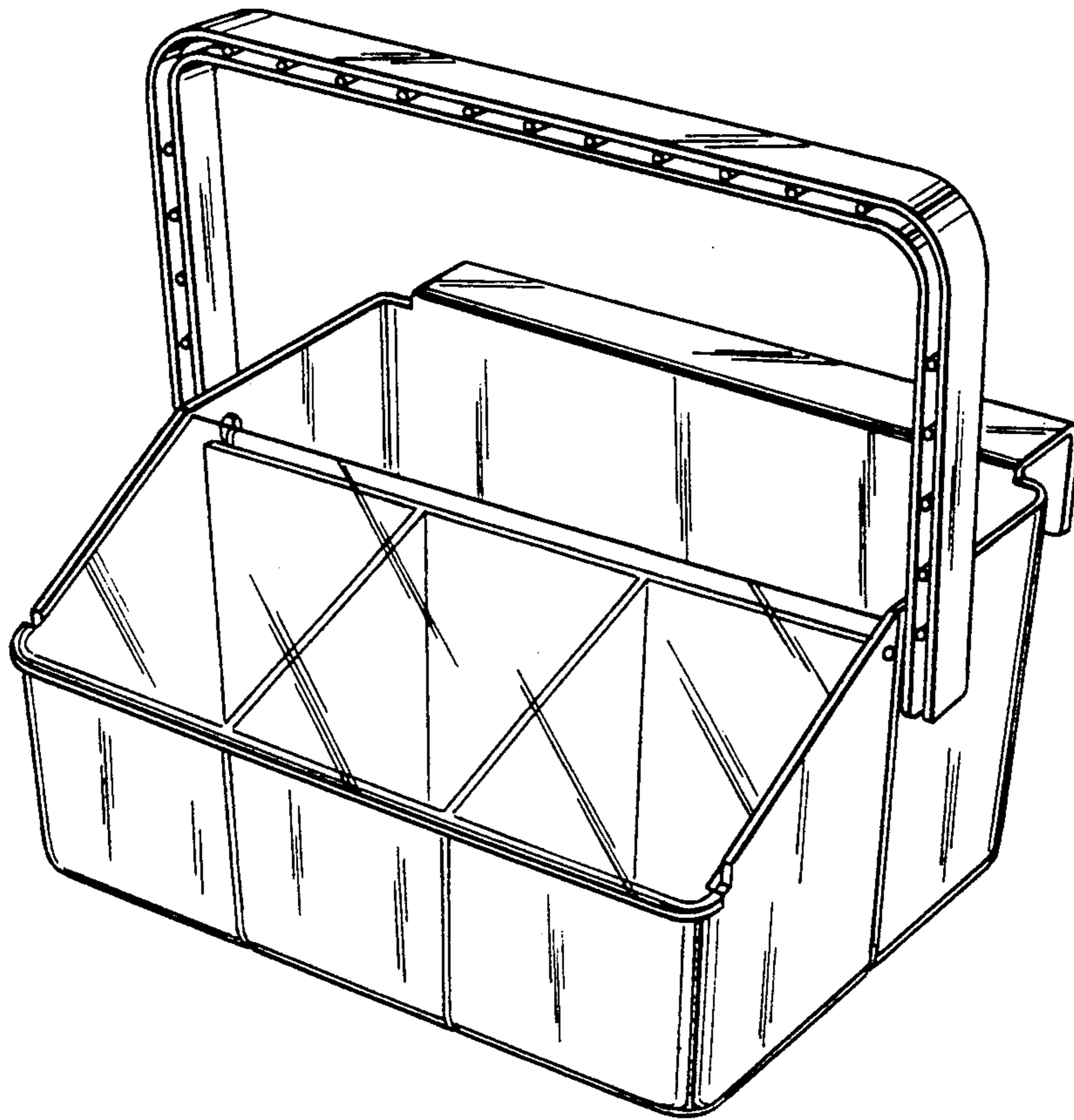


Fig. 1

Fig. 2

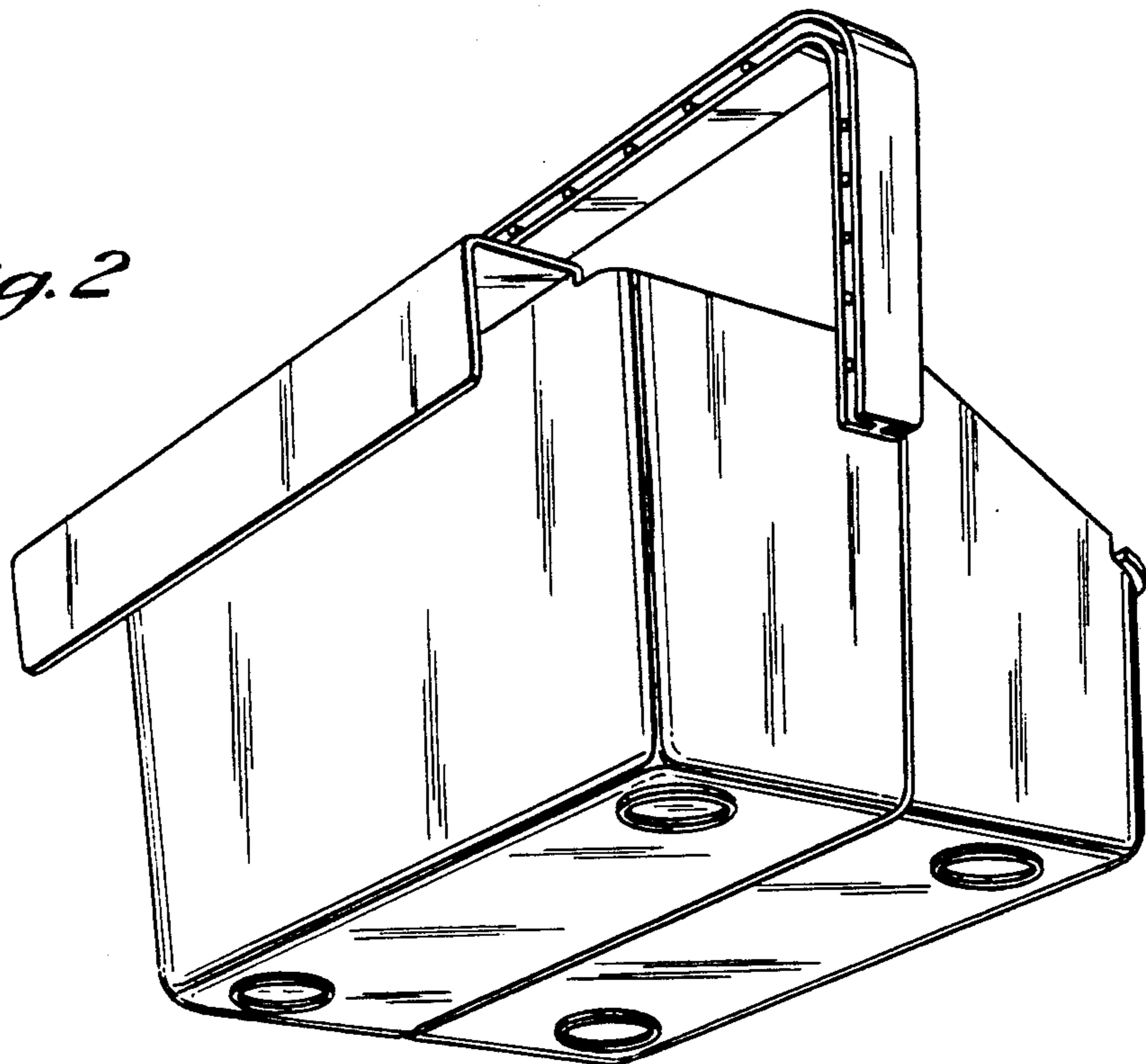


Fig. 3

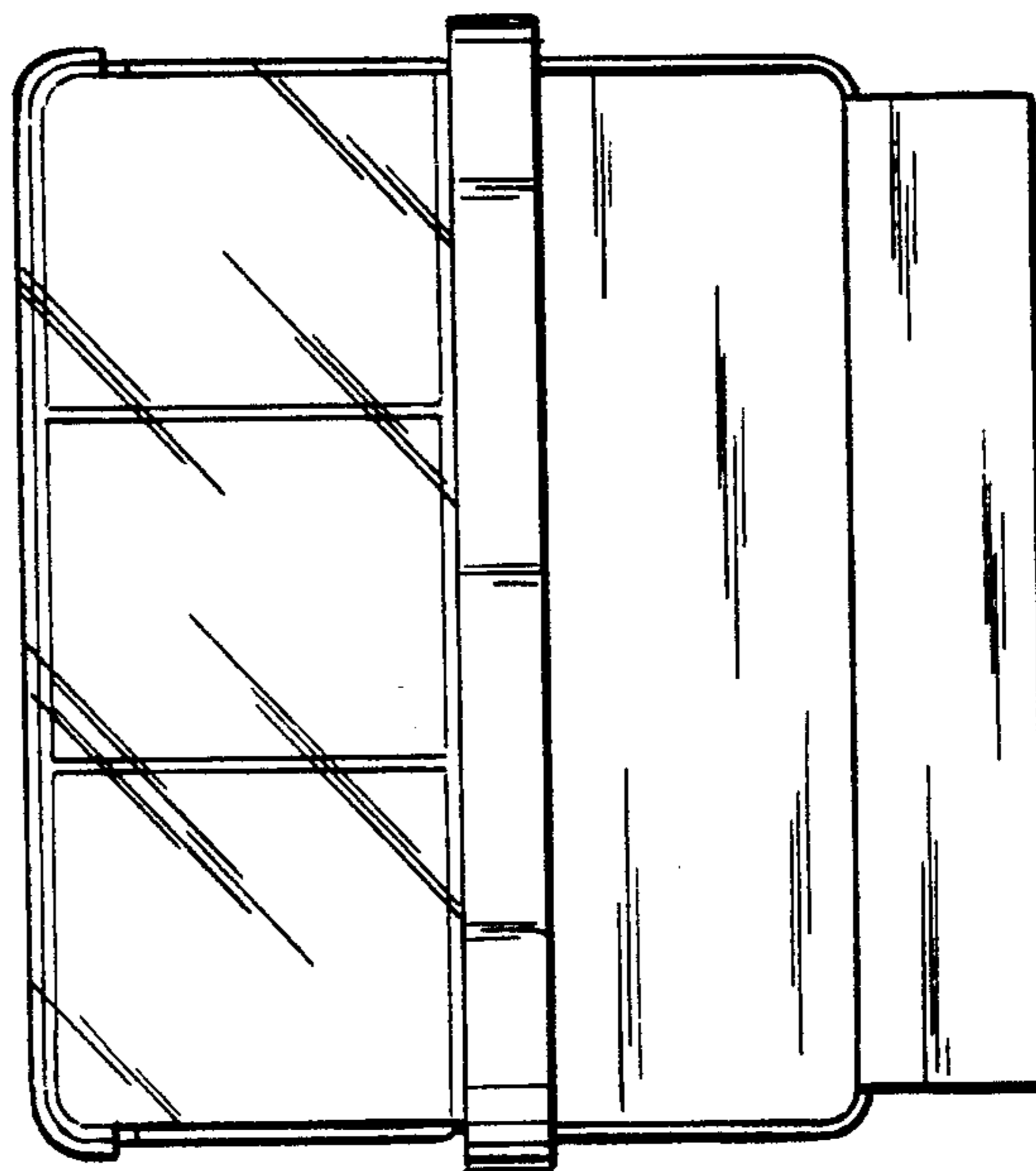


Fig. 4

