



US00D331304S

# United States Patent [19] Rice

[11] Patent Number: **Des. 331,304**

[45] Date of Patent: **\*\* Nov. 24, 1992**

[54] **APPLIANCE LIFTER**

[76] Inventor: **Richard M. Rice, 11573 Venetian Ave., Boca Raton, Fla. 33428**

[\*\*] Term: **14 Years**

[21] Appl. No.: **506,876**

[22] Filed: **Apr. 10, 1990**

[52] U.S. Cl. .... **D34/28**

[58] Field of Search ..... **D34/28; 248/649, 656, 248/550, 331, 669, 188.3; 16/44; D8/71, 300, 310, 312**

3,250,503 5/1966 Karstens ..... 248/649  
 3,304,032 2/1967 Yates ..... 248/649  
 4,182,506 1/1980 Boveia ..... 248/656  
 4,262,870 4/1981 Kretchman et al. .... 248/649 X  
 4,637,581 1/1987 Wong ..... 248/188.3  
 4,669,696 6/1987 Petta ..... 248/550  
 4,967,994 11/1990 Rice ..... 248/649 X

### OTHER PUBLICATIONS

Amerock catalog, 1967, p. 9, Door Knob, item 675.  
 Sears catalog, 1967, p. 54, Handle, item 10.

*Primary Examiner*—Wallace R. Burke  
*Assistant Examiner*—H. Baynham  
*Attorney, Agent, or Firm*—Terry M. Gernstein

[56] **References Cited**  
**U.S. PATENT DOCUMENTS**

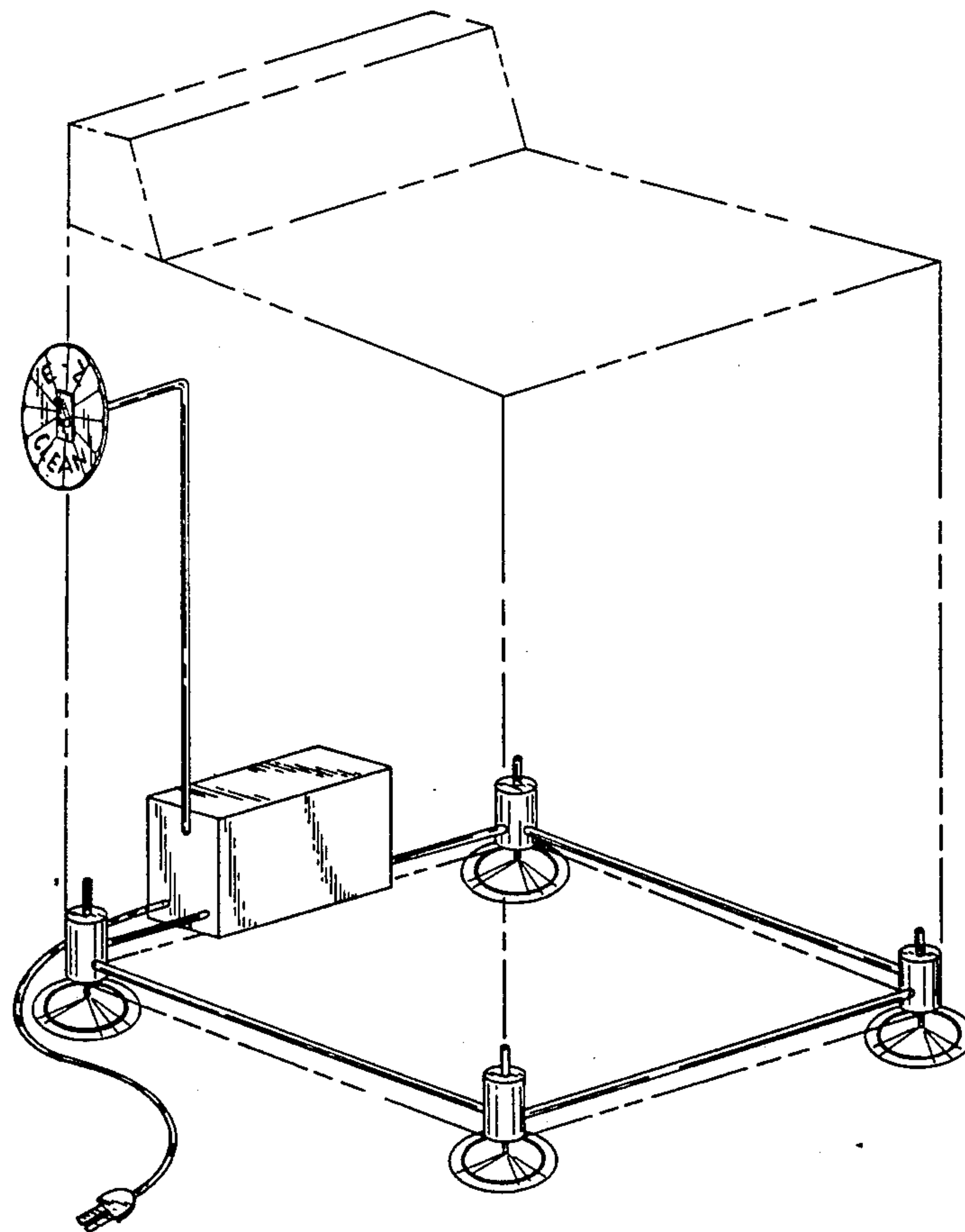
D. 126,411 4/1941 Audette ..... D8/71  
 D. 130,418 11/1941 Reynolds ..... D8/71  
 D. 179,346 12/1956 Holland ..... D8/312 X  
 D. 204,743 5/1966 Rhoades ..... D8/310 X  
 D. 204,801 5/1966 Rhodes ..... D8/312 X  
 D. 205,130 6/1966 Clayton ..... D8/310  
 D. 205,628 8/1966 Bottom ..... D8/310  
 D. 206,147 11/1966 Clayton ..... D8/310  
 D. 302,107 11/1989 Adams ..... D8/71 X  
 1,400,573 12/1921 Stader ..... D8/71 X  
 1,984,610 12/1934 Warren ..... D8/71 X  
 2,695,147 11/1954 Castricone ..... 248/649  
 2,836,843 6/1958 Gallagher, Jr. .... 248/188.3 X

### [57] CLAIM

The ornamental design for an appliance lifter, as shown and described.

### DESCRIPTION

FIG. 1 is a perspective view of an appliance lifter showing my new design;  
 FIG. 2 is a side elevational view with the opposite side being a mirror image; and,  
 FIG. 3 is a top plan view thereof.  
 The broken line showing of an appliance is for illustrative purposes only and forms no part of the claimed design.



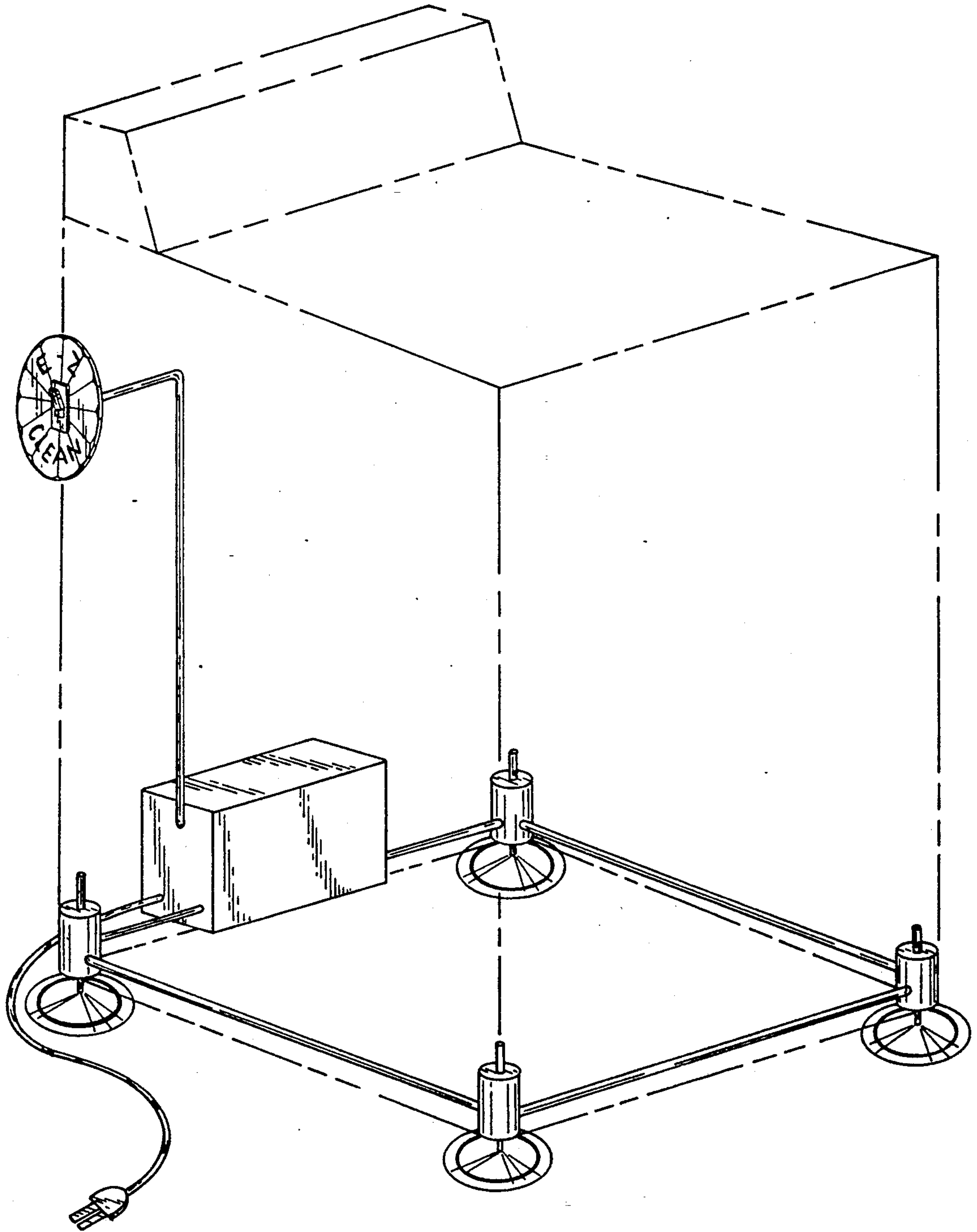


FIG. 1

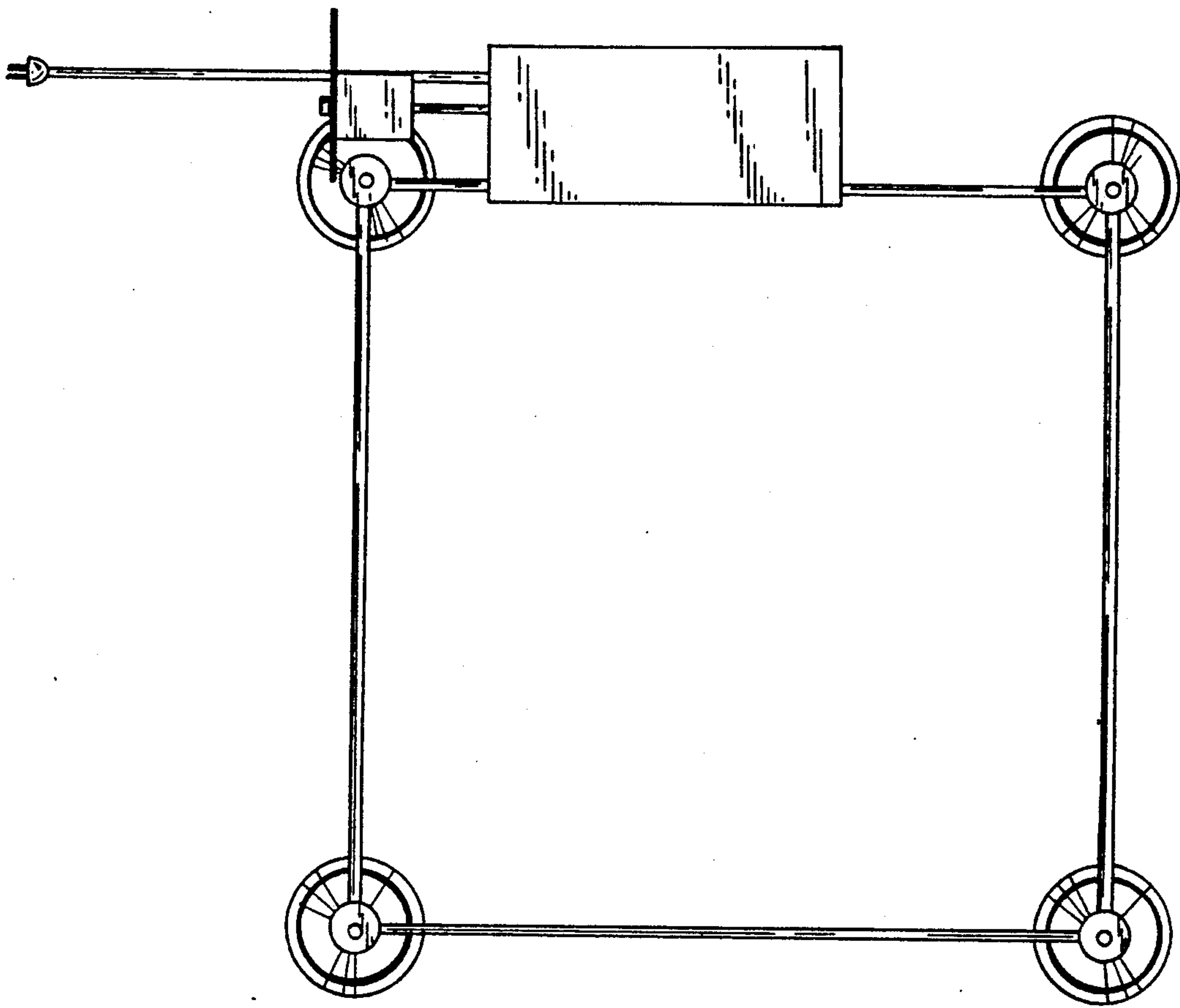


FIG. 3

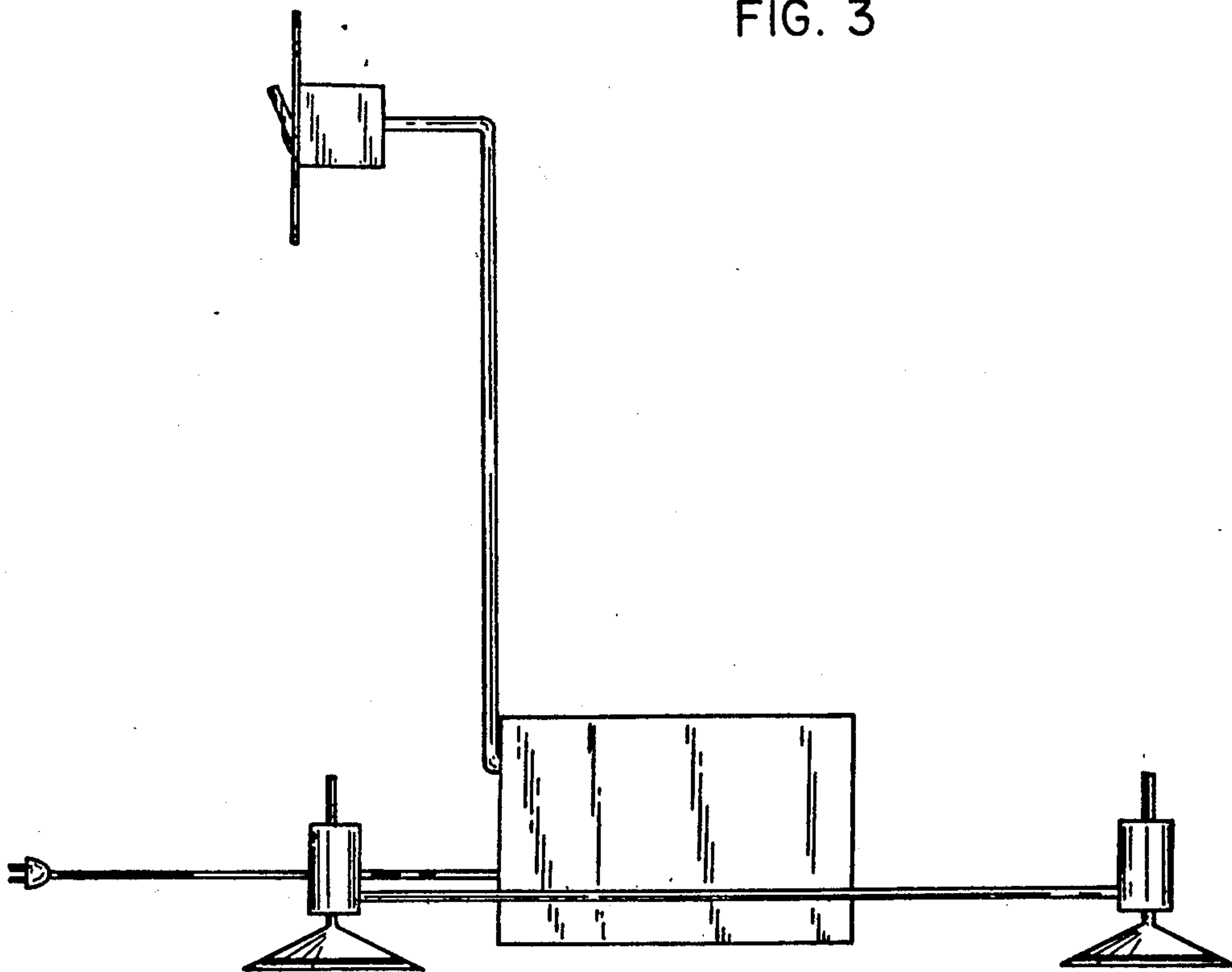


FIG. 2