



US00D331302S

United States Patent [19]

[11] Patent Number: **Des. 331,302**

Clapp et al.

[45] Date of Patent: **** Nov. 24, 1992**

[54] MULTIPLE COMPARTMENT WASTE CONTAINER

[75] Inventors: **Brian Clapp; Michael Cearns; Norman Welsh**, all of Edmonton, Canada

[73] Assignee: **423092 Alberta Ltd.**, Alberta, Canada

[**] Term: **14 Years**

[21] Appl. No.: **626,172**

[22] Filed: **Dec. 12, 1990**

[30] Foreign Application Priority Data

Jun. 28, 1990 [CA] Canada 28069010

[52] U.S. Cl. **D34/7; D34/1**

[58] Field of Search **D34/1, 7, 11; 220/908, 220/909, 910, 521, 523, 524, 23.8**

[56] References Cited

U.S. PATENT DOCUMENTS

2,895,782 7/1959 Fragale 220/909
4,834,262 5/1989 Reed 220/909

FOREIGN PATENT DOCUMENTS

51170 11/1982 Canada .
60253 3/1987 Canada .
62499 10/1988 Canada .
65174 8/1989 Canada .

Primary Examiner—Kay H. Chin
Attorney, Agent, or Firm—Beveridge, DeGrandi & Weilacher

[57] CLAIM

The ornamental design for a multiple compartment waste container, as shown and described.

DESCRIPTION

FIG. 1 is a top and front perspective view of a multiple compartment waste container, with the lid of the multiple compartment waste container in open condition, showing our new design;

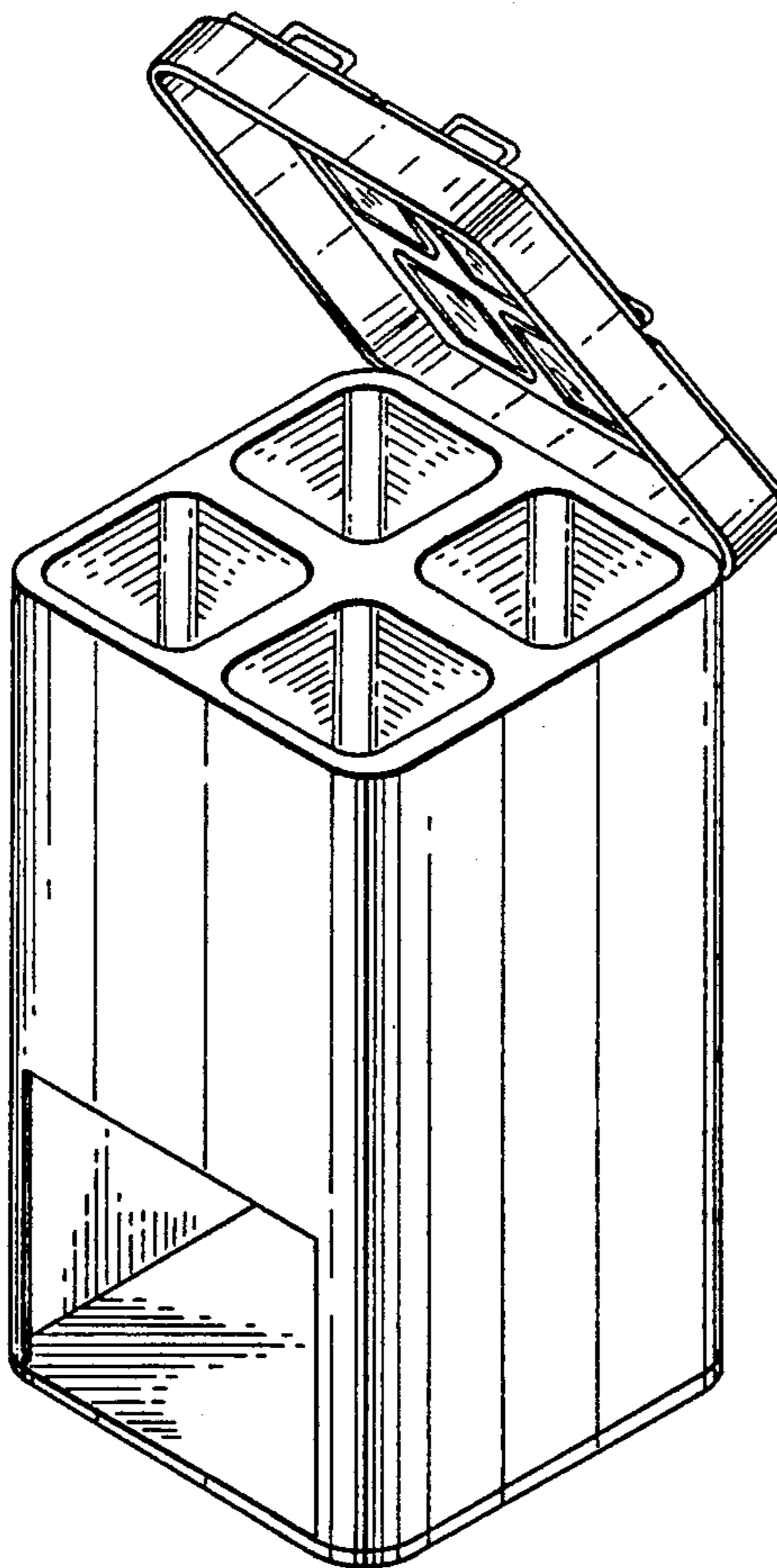
FIG. 2 is a top and front perspective view thereof with one of the compartment lids in open condition;

FIG. 3 is a front elevational view thereof;

FIG. 4 is a side elevational view thereof, the opposite side elevational view being a mirror image of that shown;

FIG. 5 is a rear elevational view thereof; and,

FIG. 6 is a top plan view thereof.



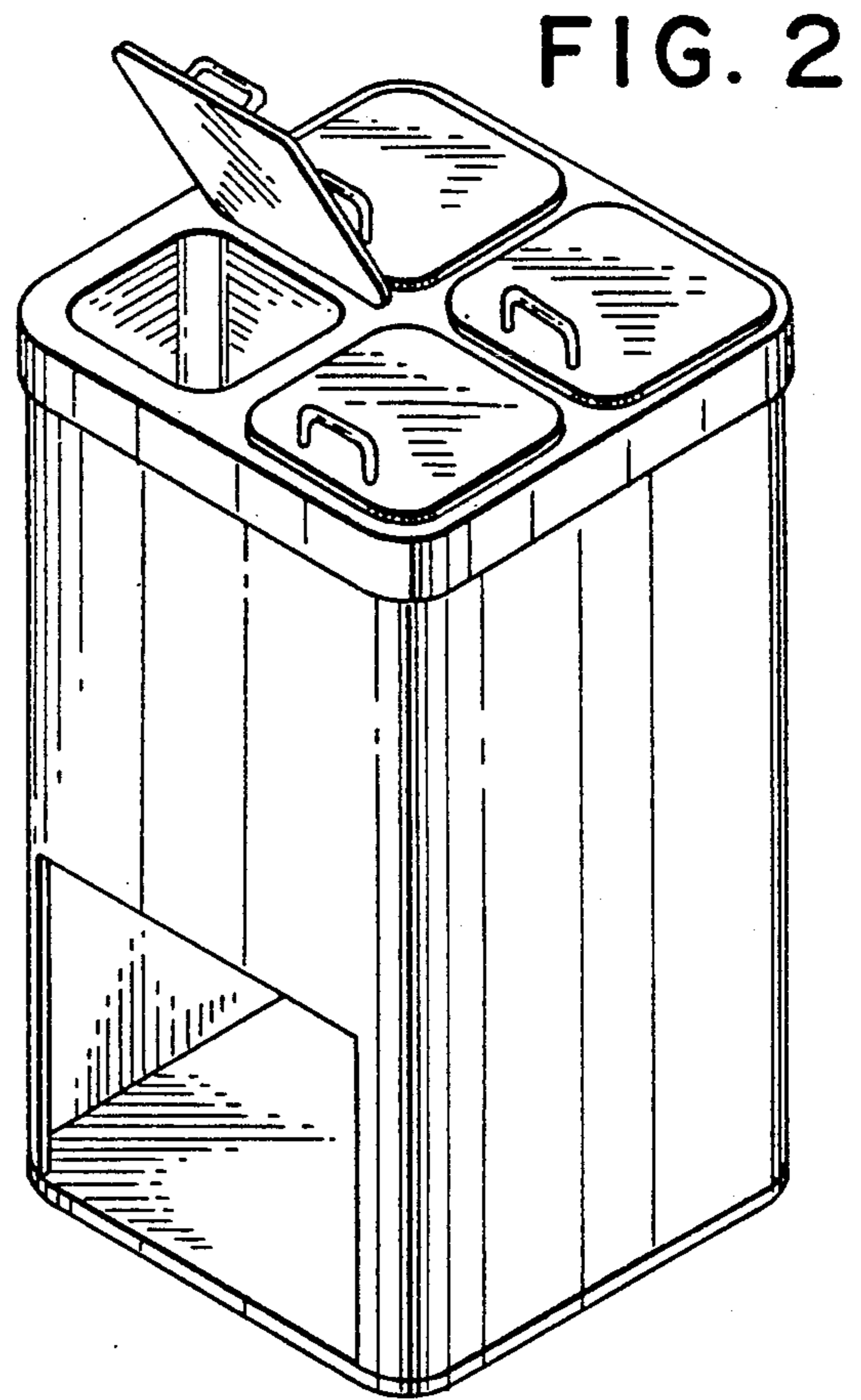
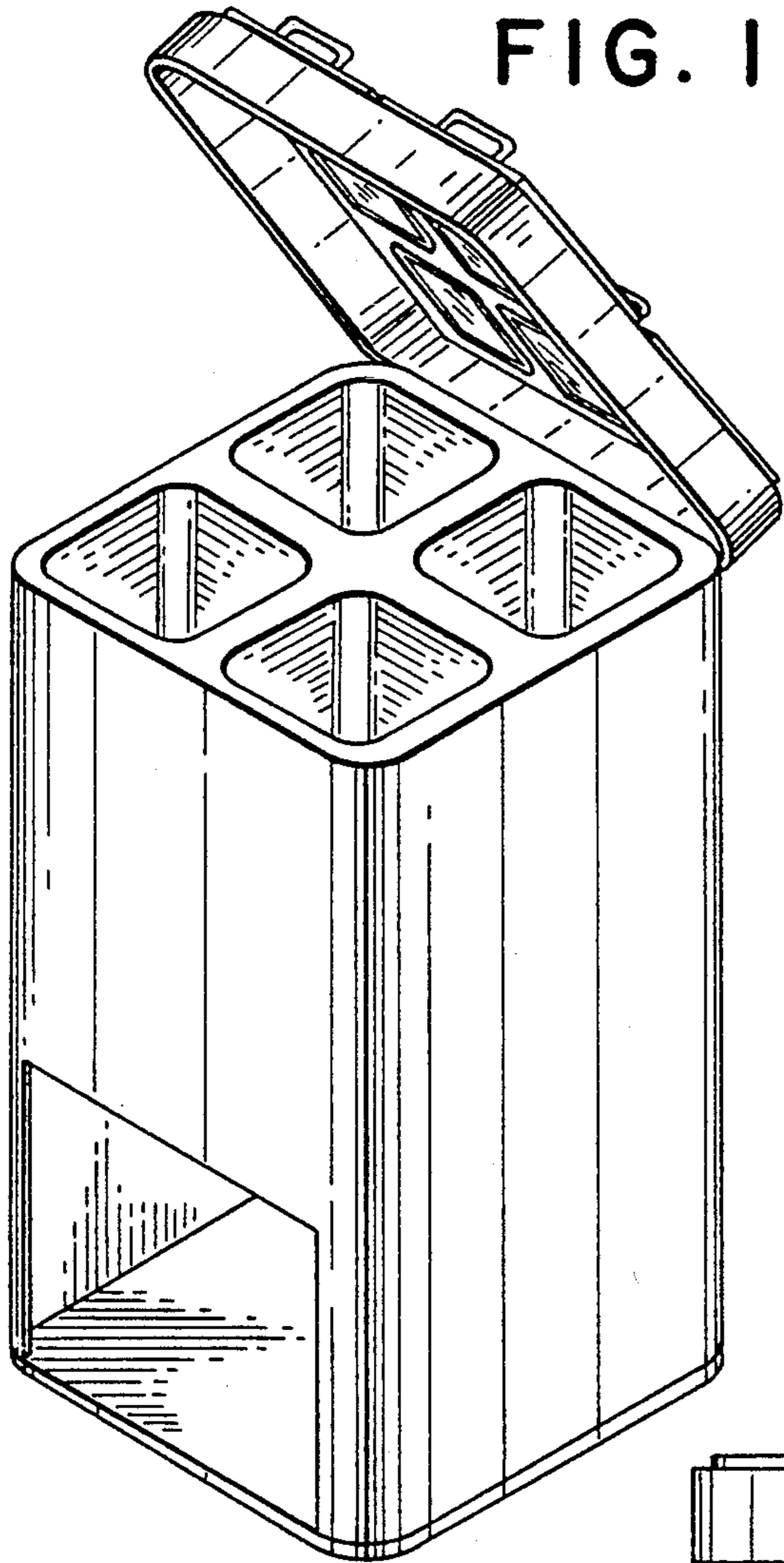
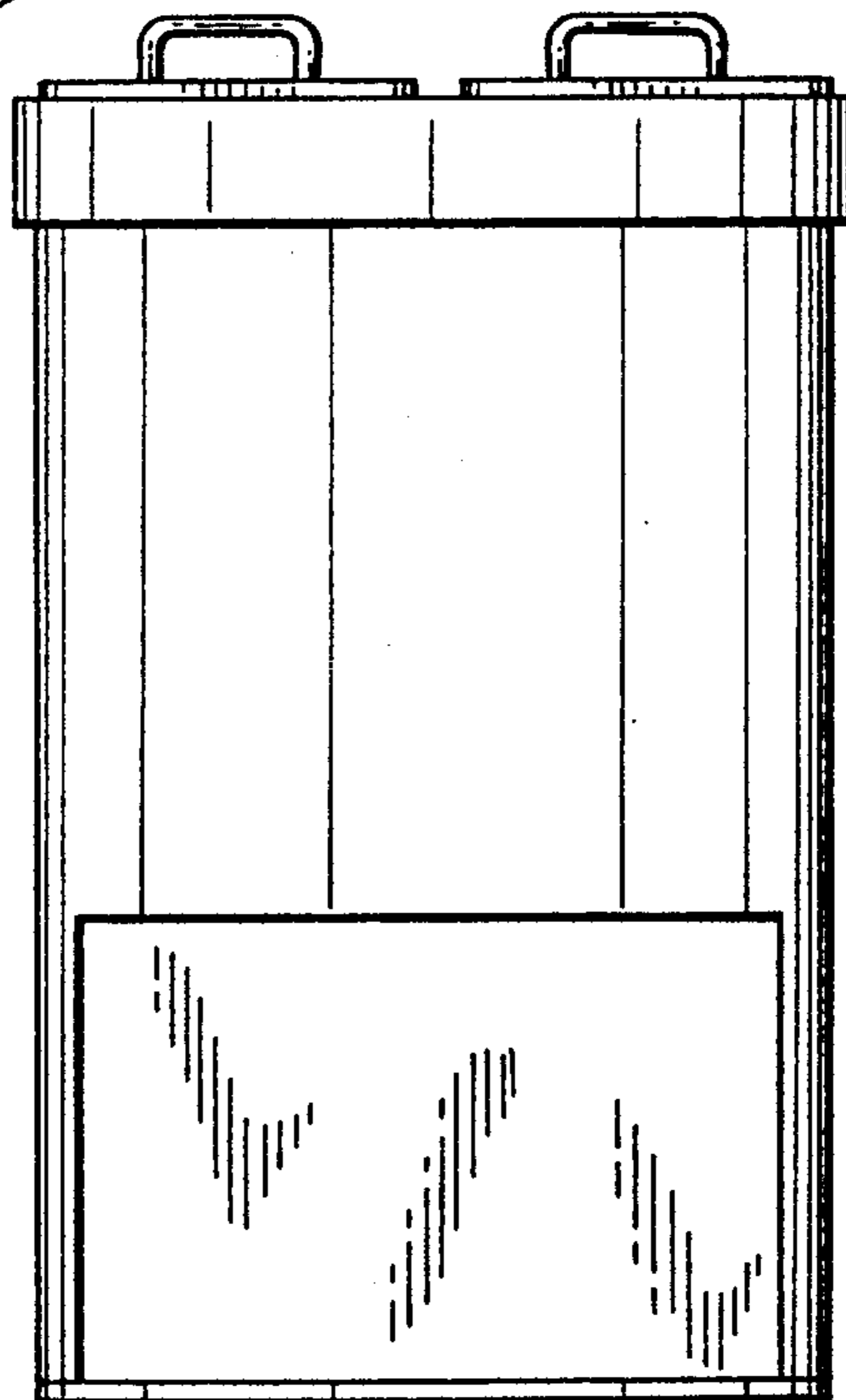


FIG. 3



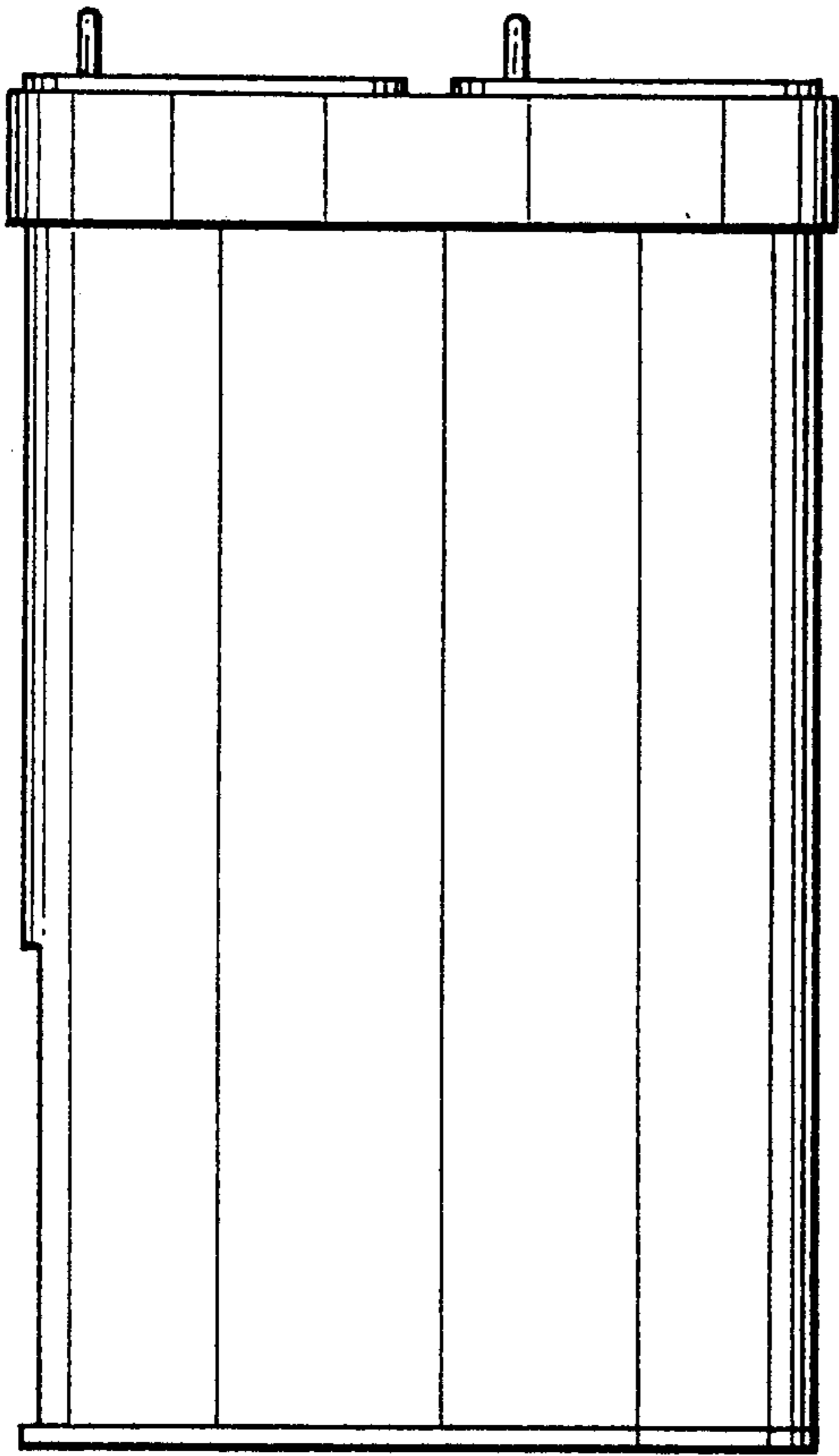


FIG. 4

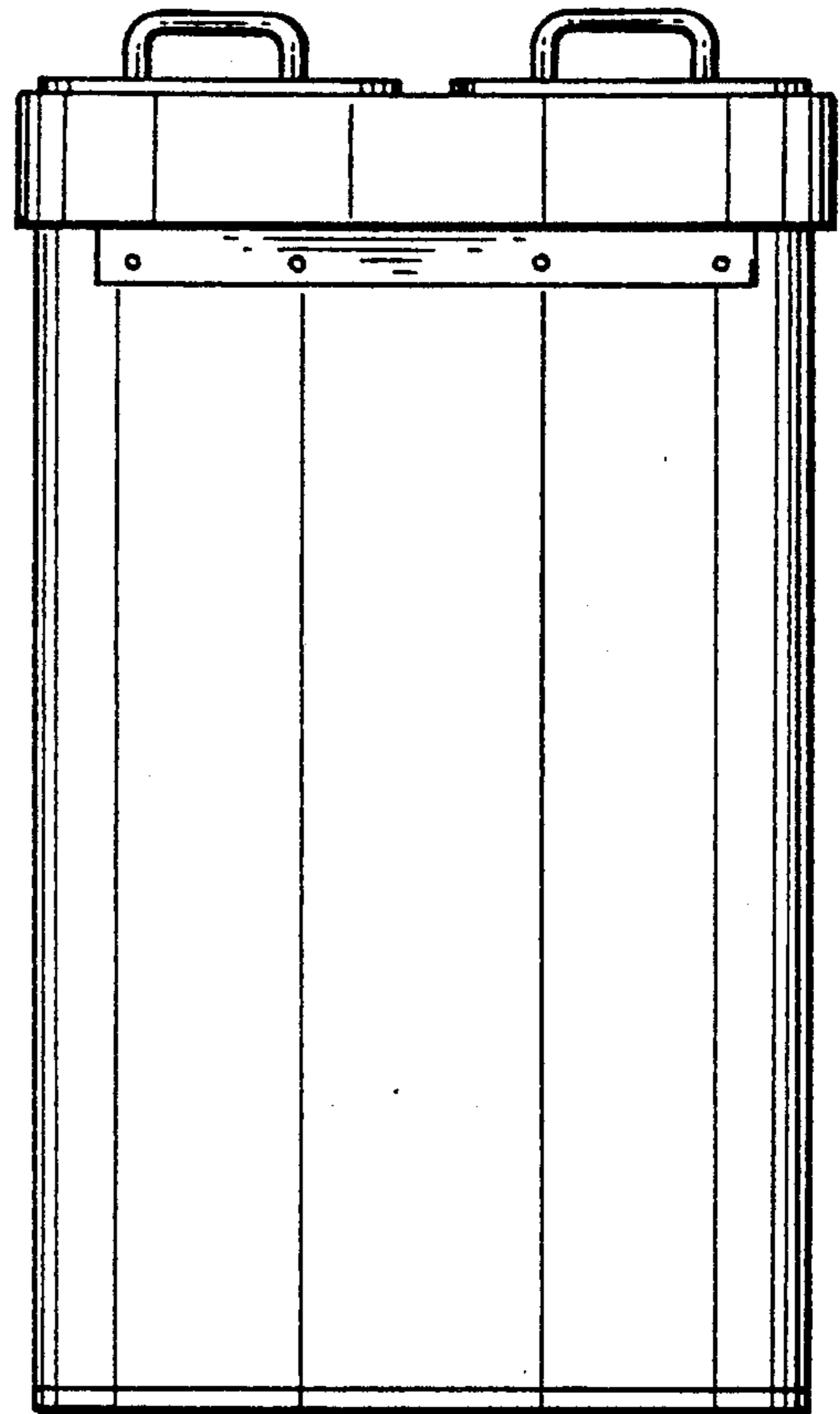


FIG. 5

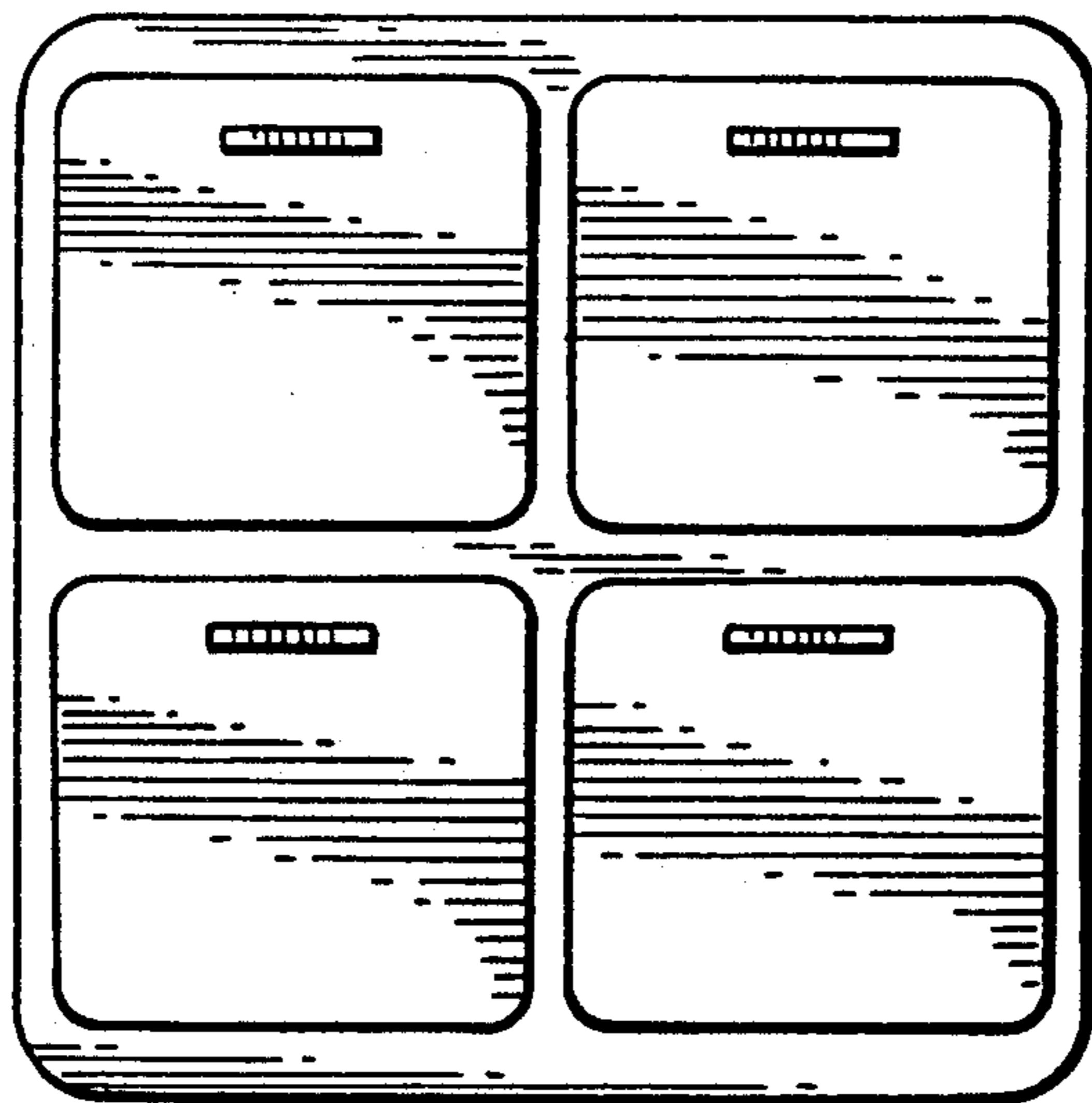


FIG. 6