



US00D331296S

United States Patent [19]

[11] Patent Number: **Des. 331,296**

Smal

[45] Date of Patent: **** Nov. 24, 1992**

[54] **CURLING IRON**

[75] Inventor: **Henri Smal, Blegny, Belgium**

[73] Assignee: **S.A. SOFAC, Denain, France**

[**] Term: **14 Years**

[21] Appl. No.: **497,574**

[22] Filed: **Mar. 22, 1990**

[30] **Foreign Application Priority Data**

Feb. 8, 1990 [FR] France 900861

[52] U.S. Cl. **D28/35**

[58] Field of Search **D28/10, 35;**
132/226-236, 269; 219/222, 225

[56] **References Cited**

U.S. PATENT DOCUMENTS

D. 270,670	9/1983	Goto et al.	D28/35
D. 313,484	1/1991	Wahl et al.	D28/35
D. 313,671	1/1991	Ichikawa	D28/35
1,073,336	9/1913	English	132/232
1,178,029	7/1916	Schwartz .	
3,534,392	10/1970	Trouilhet	219/225
4,040,696	8/1977	Wada et al. .	
4,953,574	9/1990	Tsuji et al.	132/232

FOREIGN PATENT DOCUMENTS

226770 9/1985 Fed. Rep. of Germany 219/225
180813 2/1986 Switzerland 132/232

OTHER PUBLICATIONS

Modern Salon, The Guide 1988 p. 151-second curling iron from top.

Primary Examiner—Bernard Ansher

Assistant Examiner—C. Tuttle

Attorney, Agent, or Firm—Martin A. Farber

[57] **CLAIM**

The ornamental design for a curling iron, as shown and described.

DESCRIPTION

FIG. 1 is a right side elevational view of a curling iron showing my new design, the side opposite being a mirror image of the side shown;

FIG. 2 is a top plan view thereof;

FIG. 3 is a rear end elevational view thereof;

FIG. 4 is a front end elevational view thereof; and,

FIG. 5 is a bottom plan view thereof.

The cord portion of the design is shown partially broken away in the various views to indicate indeterminate length.

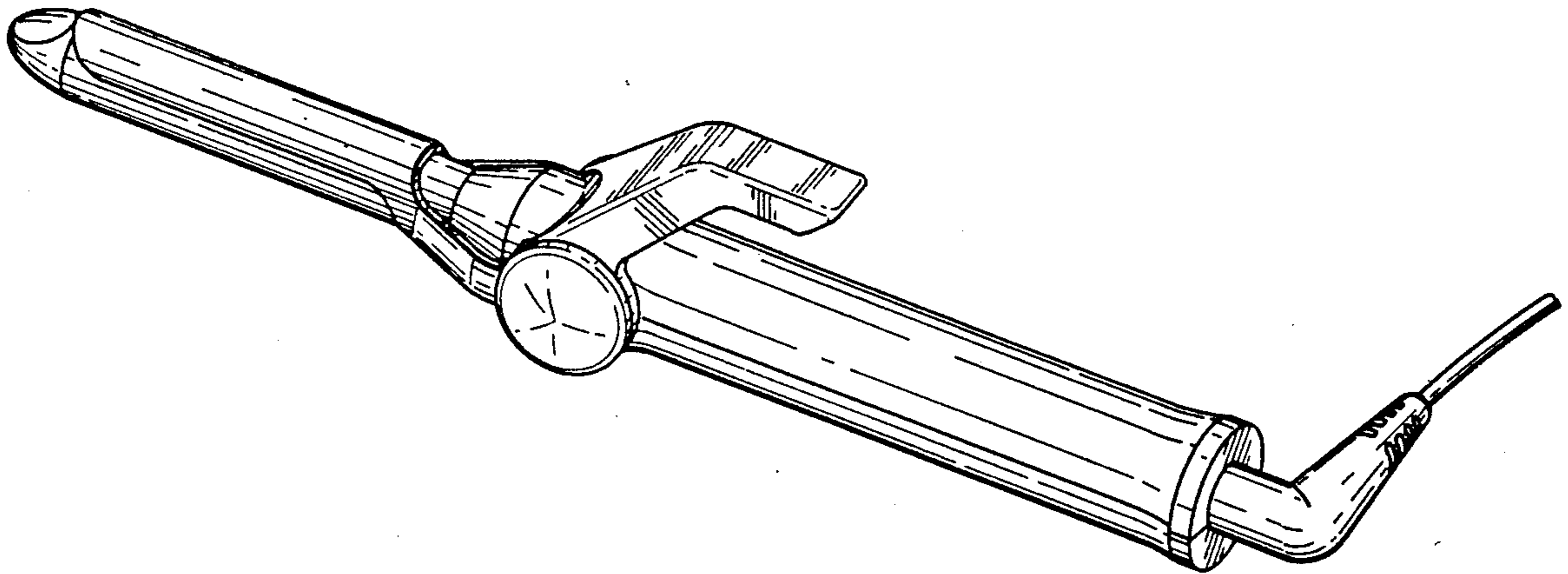


FIG. 2

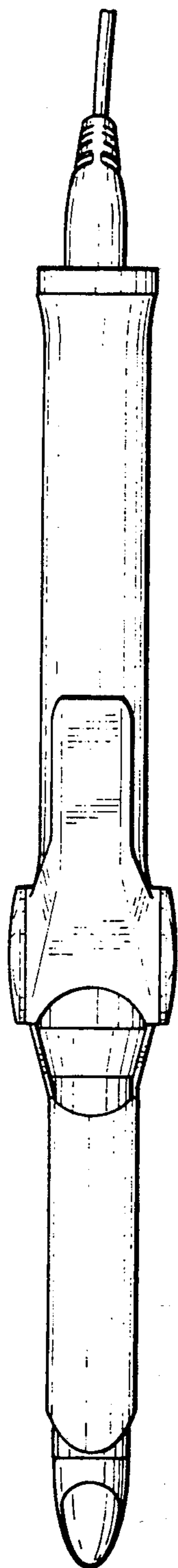


FIG. 3

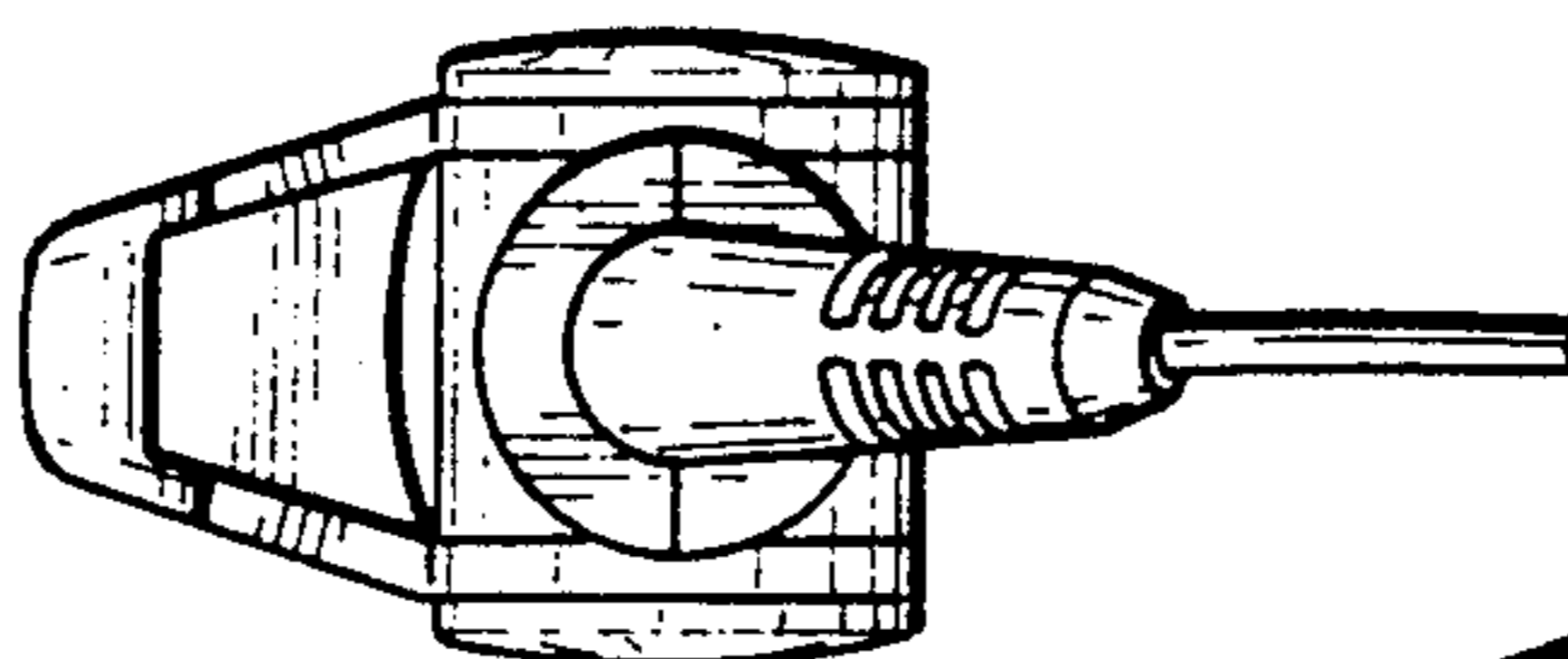


FIG. 1

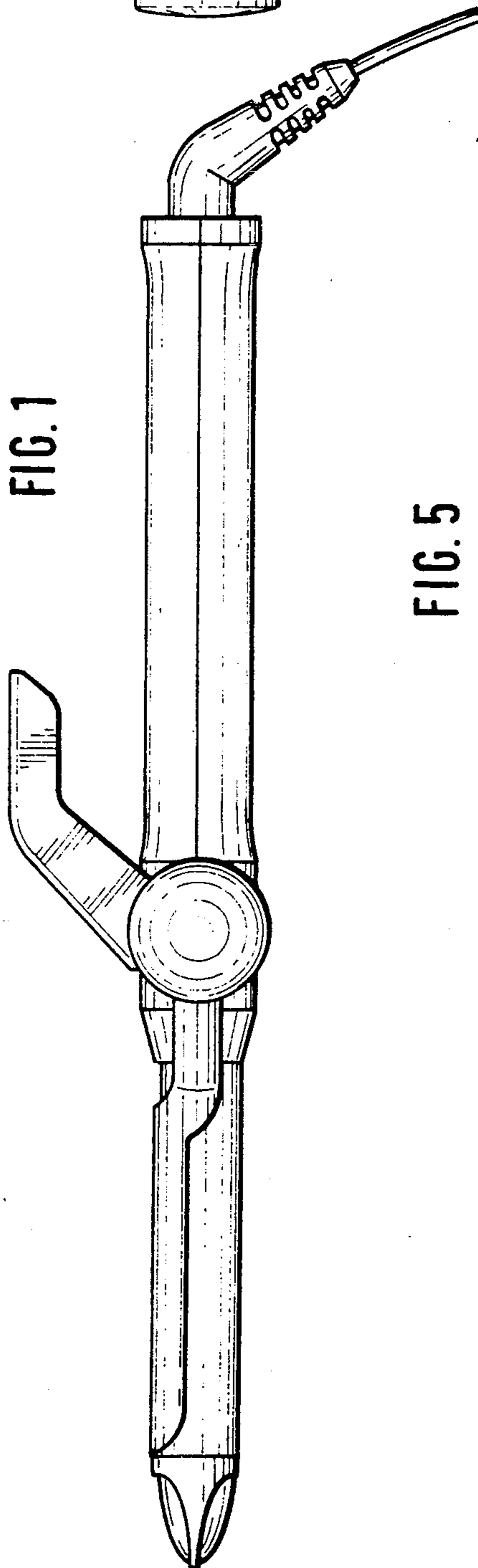


FIG. 5

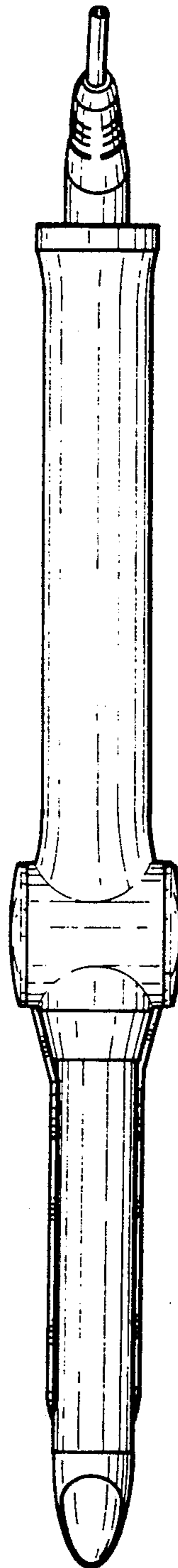


FIG. 4

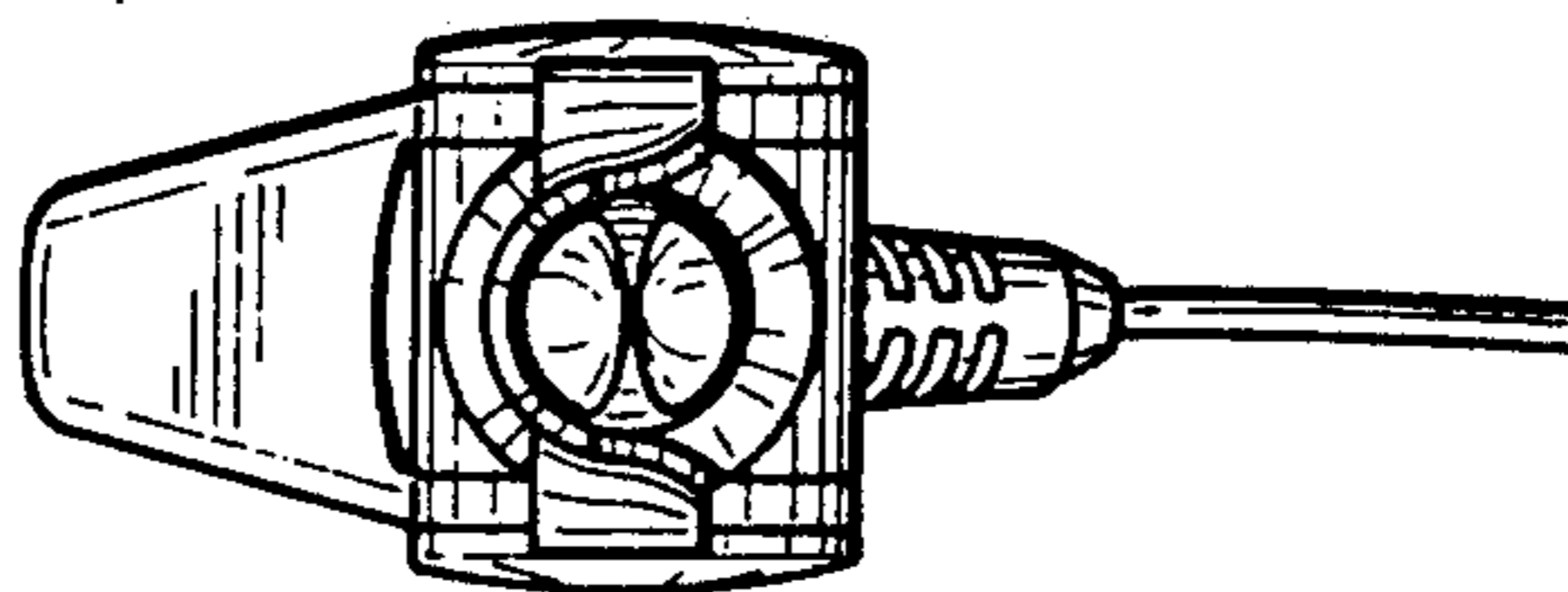


FIG. 6

