



US00D331295S

# United States Patent [19]

[11] Patent Number: **Des. 331,295**

**Kuo**

[45] Date of Patent: **\*\* Nov. 24, 1992**

[54] **ADJUSTABLE LAMP**

4,595,970 6/1986 Diffrient ..... 362/418 X

[76] Inventor: **J. T. Kuo**, 1F., No. 92, Chao Yang Street, Kon Liao Hsiang, Taipei Hsien, Taiwan

*Primary Examiner*—Susan J. Lucas  
*Attorney, Agent, or Firm*—Pro-Techtor International

[\*\*] Term: **14 Years**

[57] **CLAIM**

[21] Appl. No.: **658,367**

The ornamental design for adjustable lamp, as shown and described.

[22] Filed: **Feb. 20, 1991**

**DESCRIPTION**

[52] U.S. Cl. .... **D26/65; D26/64**

FIG. 1 is a top, front, right side perspective view of an adjustable lamp showing my new design;

[58] Field of Search ..... **D26/60-66; 362/269, 277, 285, 413, 418, 419, 427, 401, 402**

FIG. 2 is a front elevational view thereof, the rear being a mirror image;

[56] **References Cited**

**U.S. PATENT DOCUMENTS**

- D. 84,921 8/1931 Bornstein ..... D26/63
- D. 281,357 11/1985 Gismondi ..... d26/63
- D. 296,479 6/1988 Chan ..... D26/61
- D. 322,863 12/1991 Chin-Song ..... D26/65
- 3,283,331 11/1966 Kelleher ..... D26/65

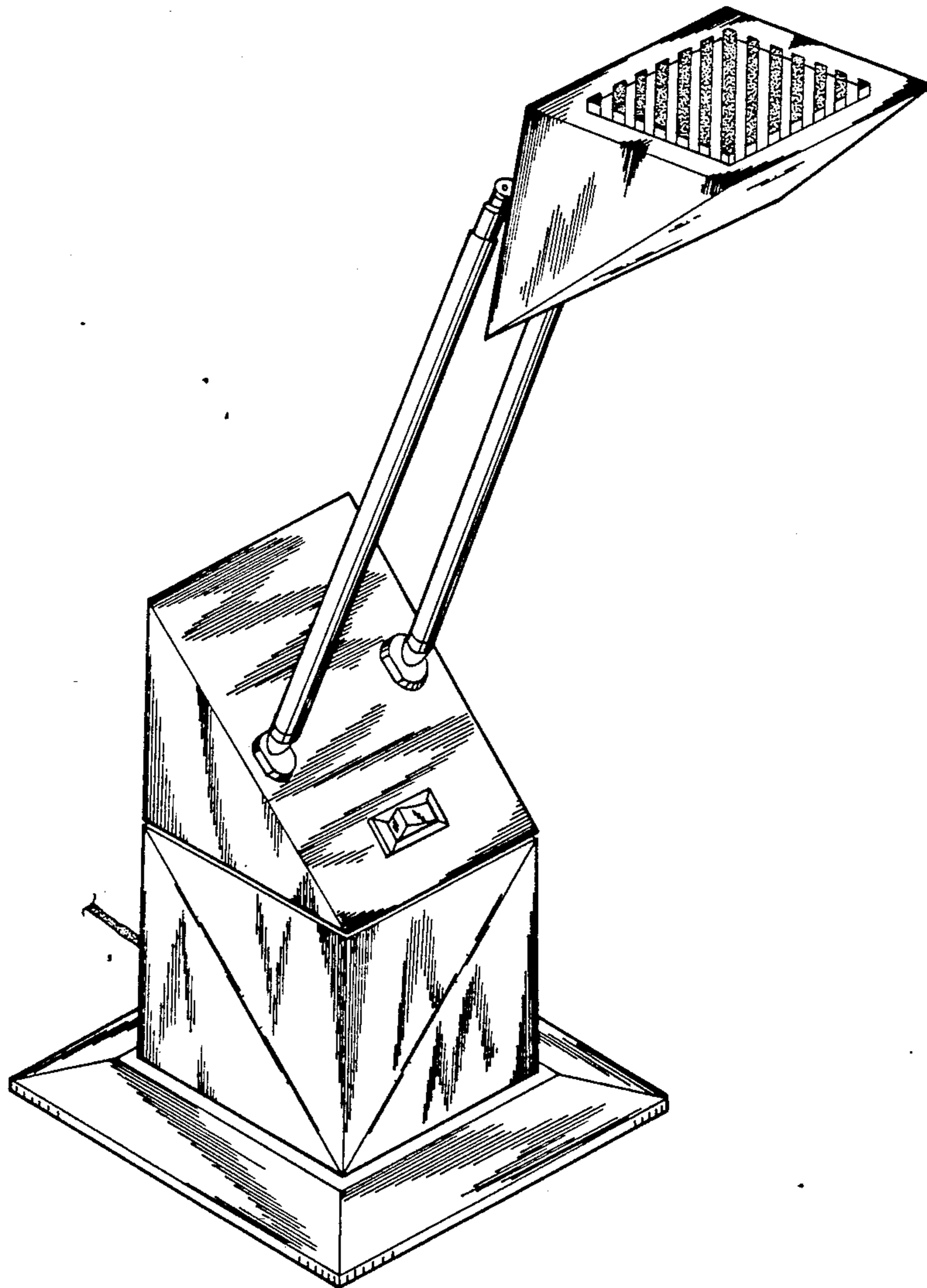
FIG. 3 is a left side elevational view thereof;

FIG. 4 is a right side elevational view thereof;

FIG. 5 is a top plan view thereof;

FIG. 6 is a bottom plan view thereof; and,

FIG. 7 is a top, front, right side perspective view thereof on a reduced scale, the lamp being in an alternate position.



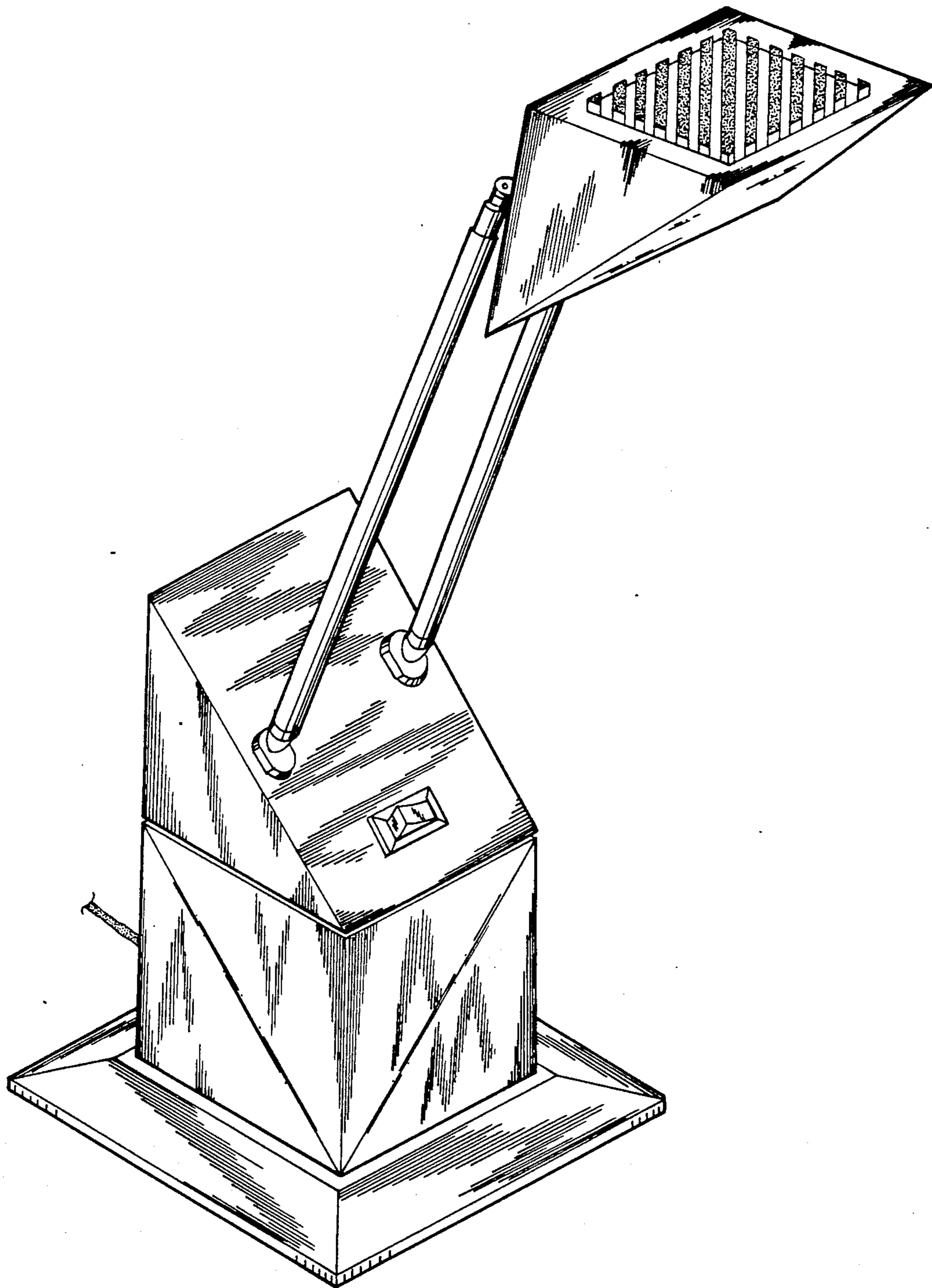


FIG. 1

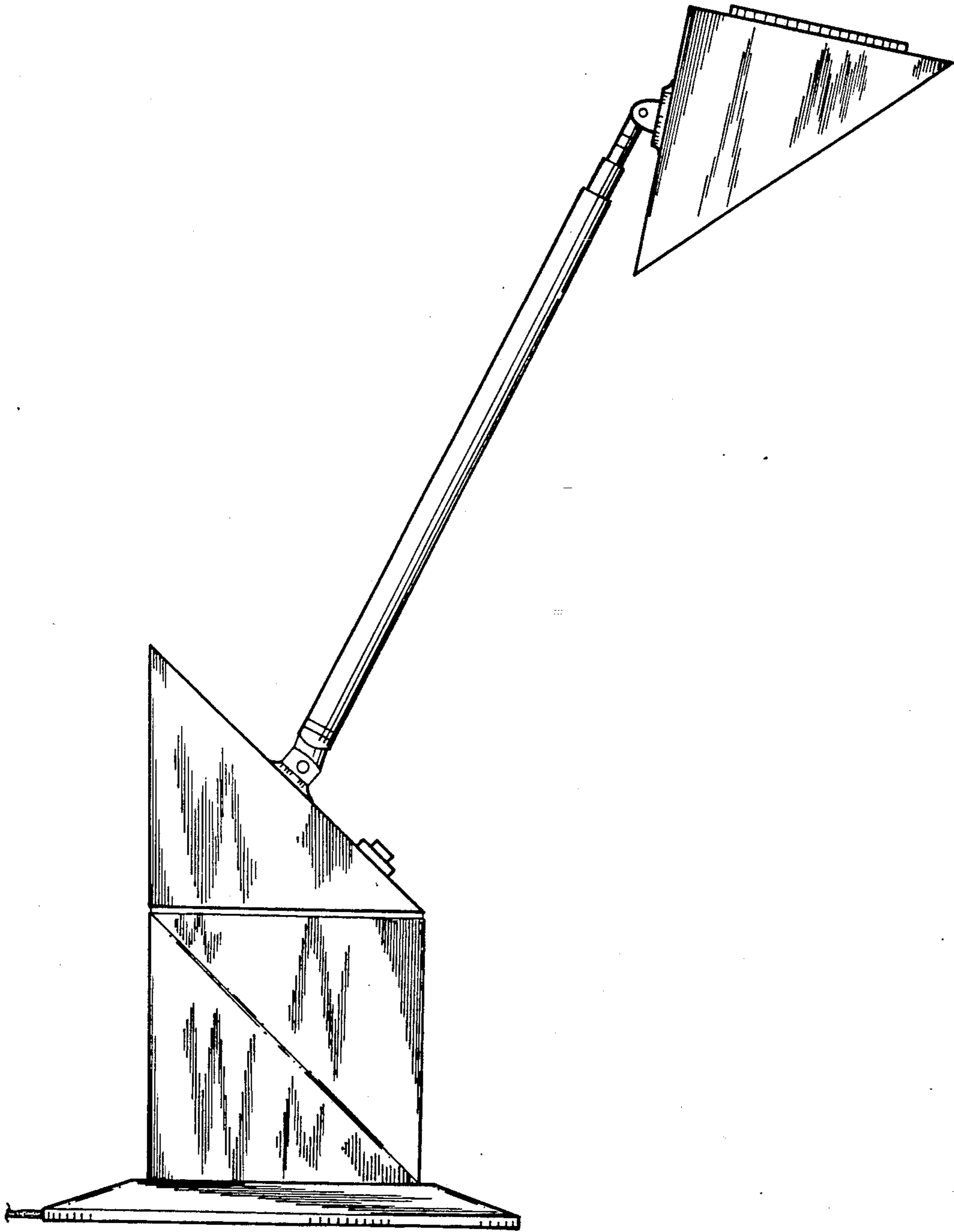


FIG. 2

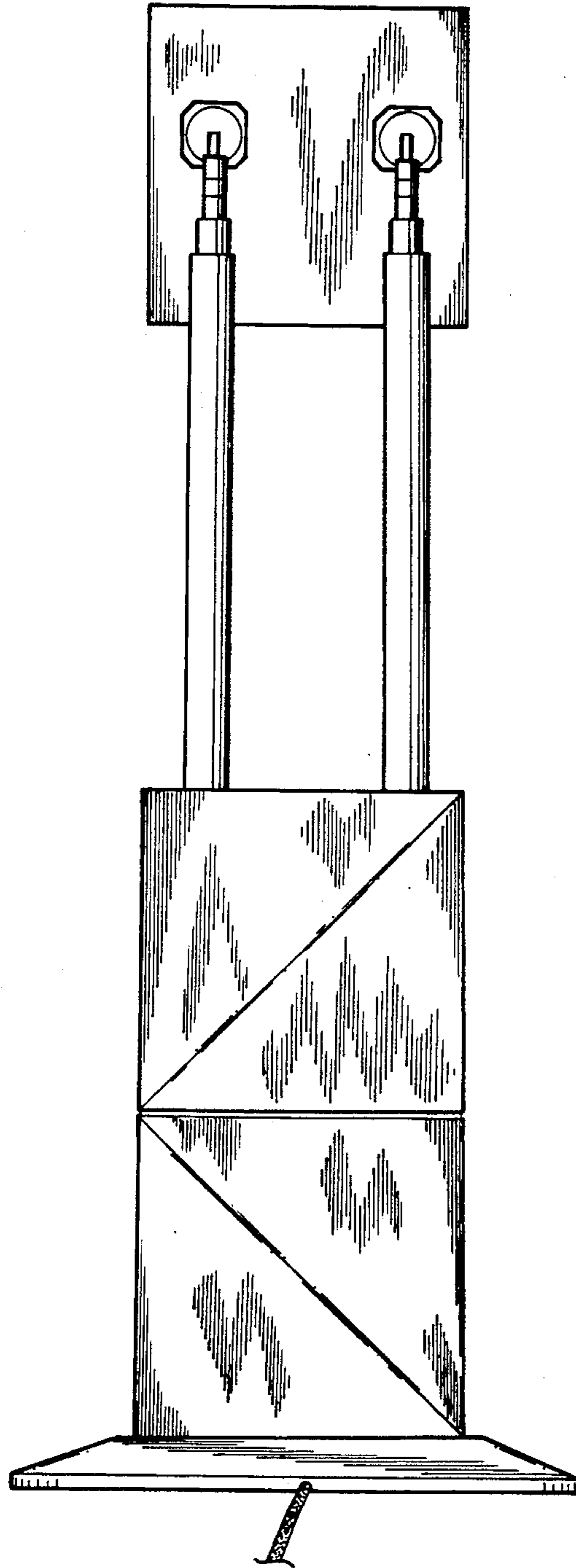


FIG. 3

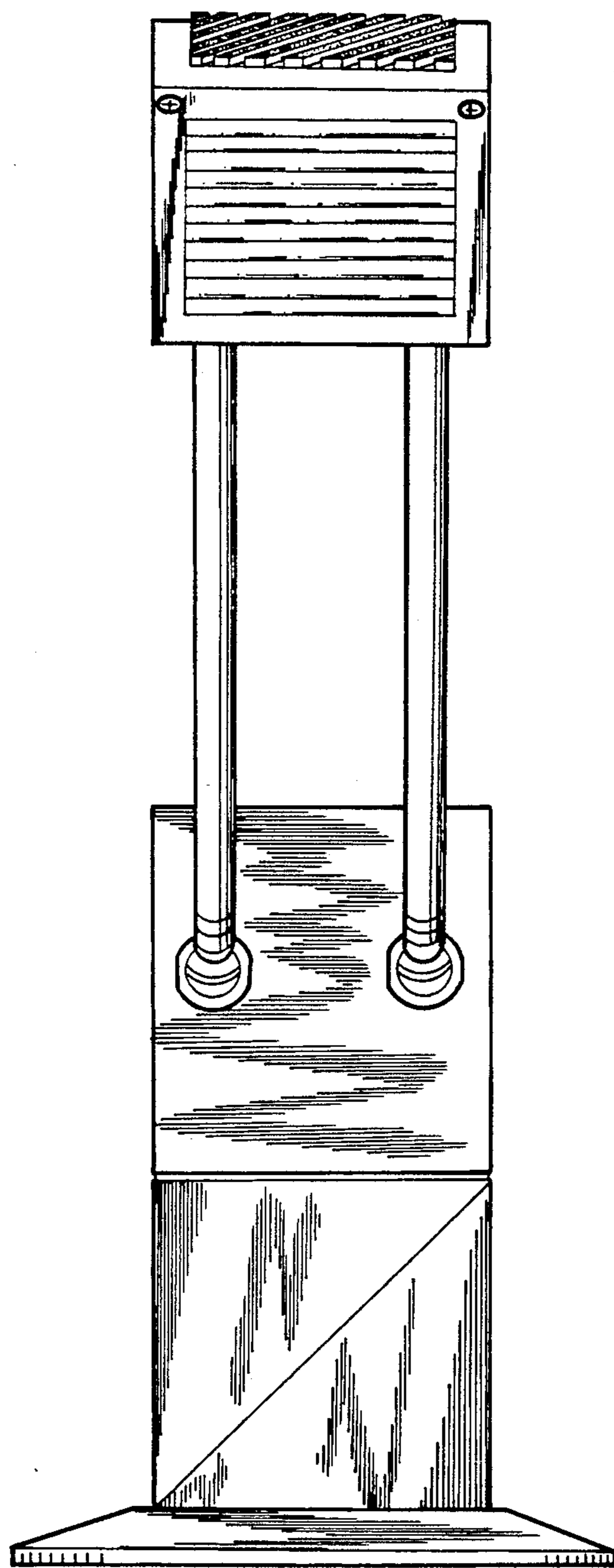


FIG. 4

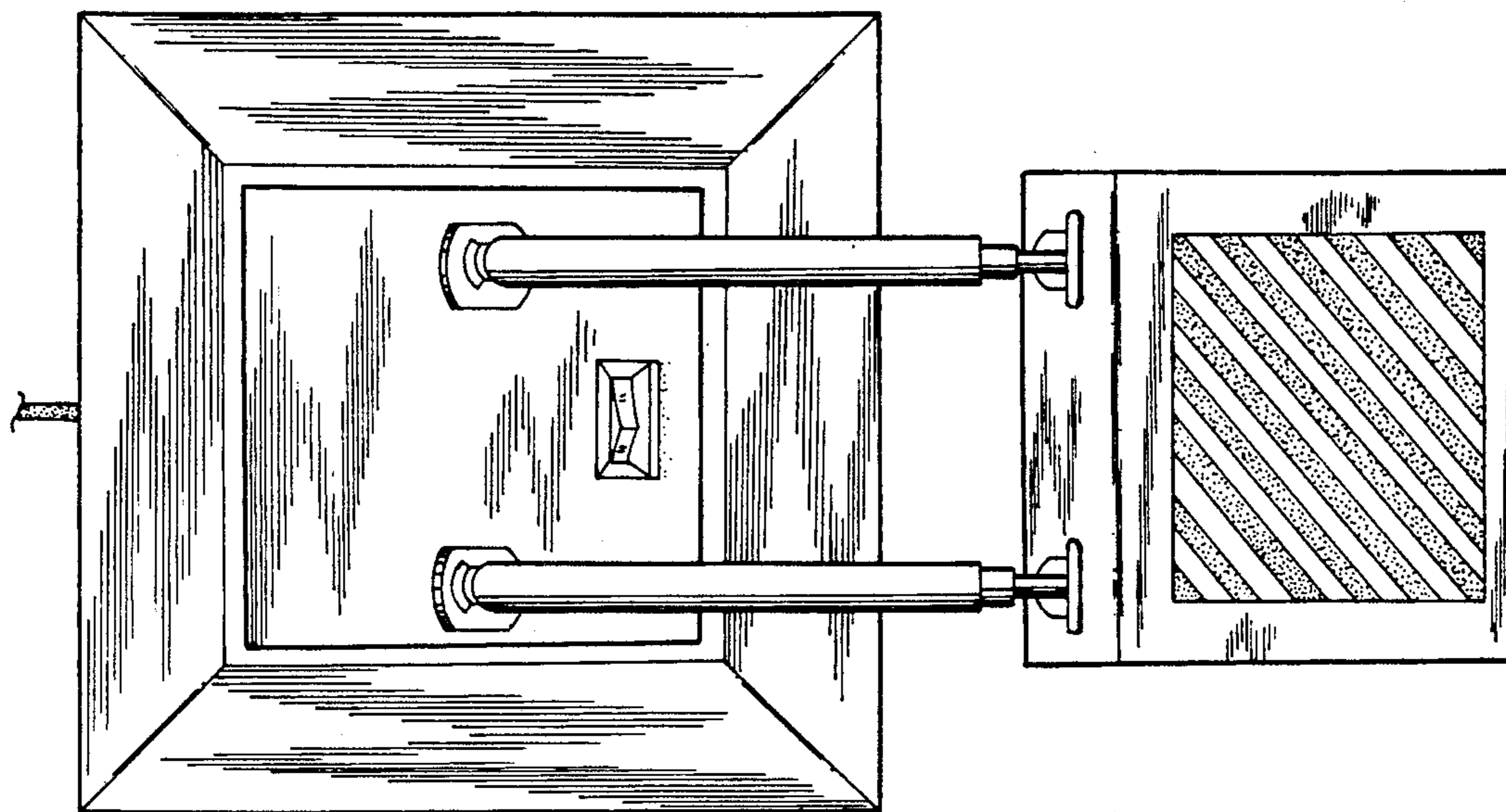


FIG. 5

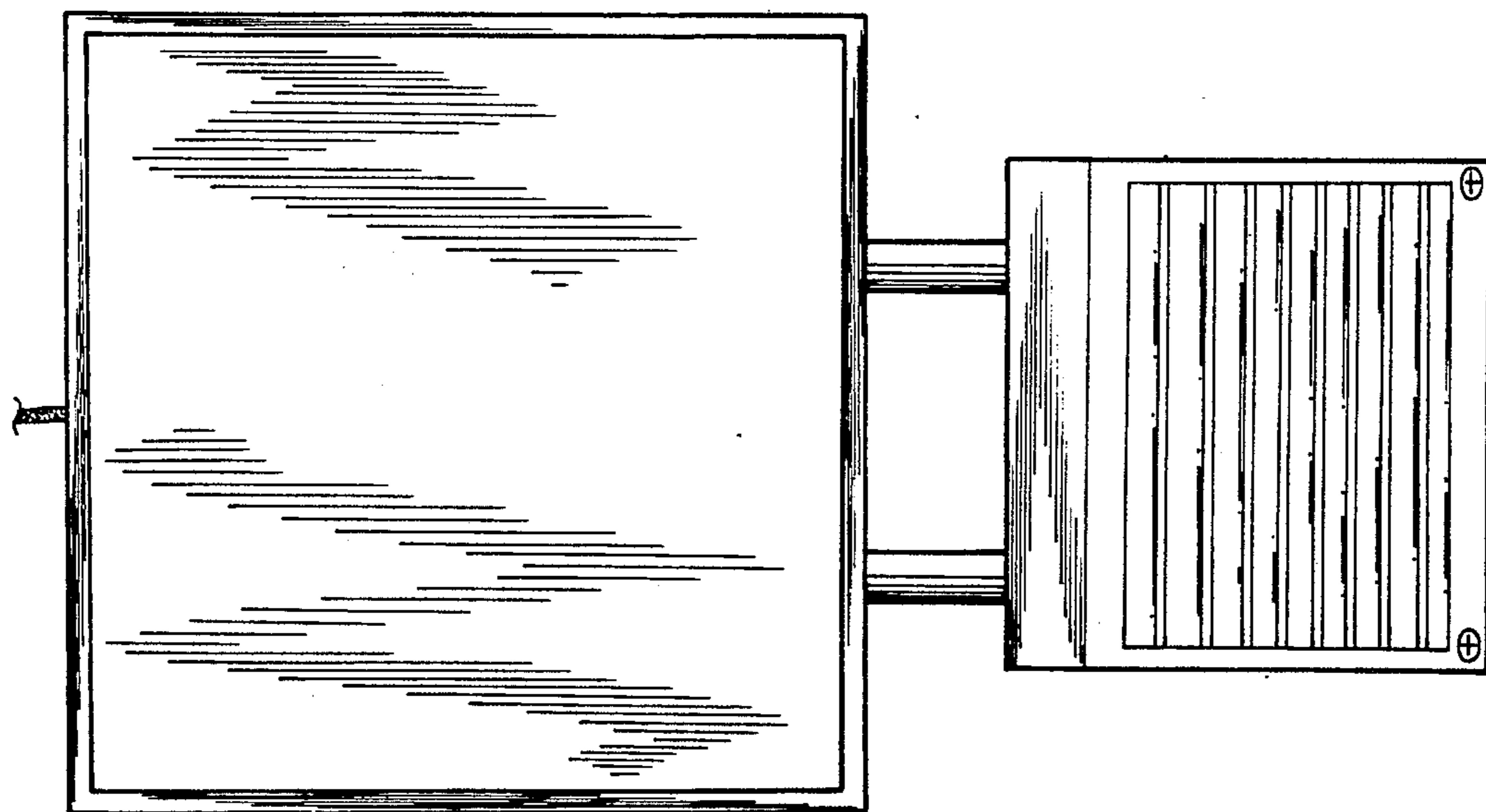


FIG. 6

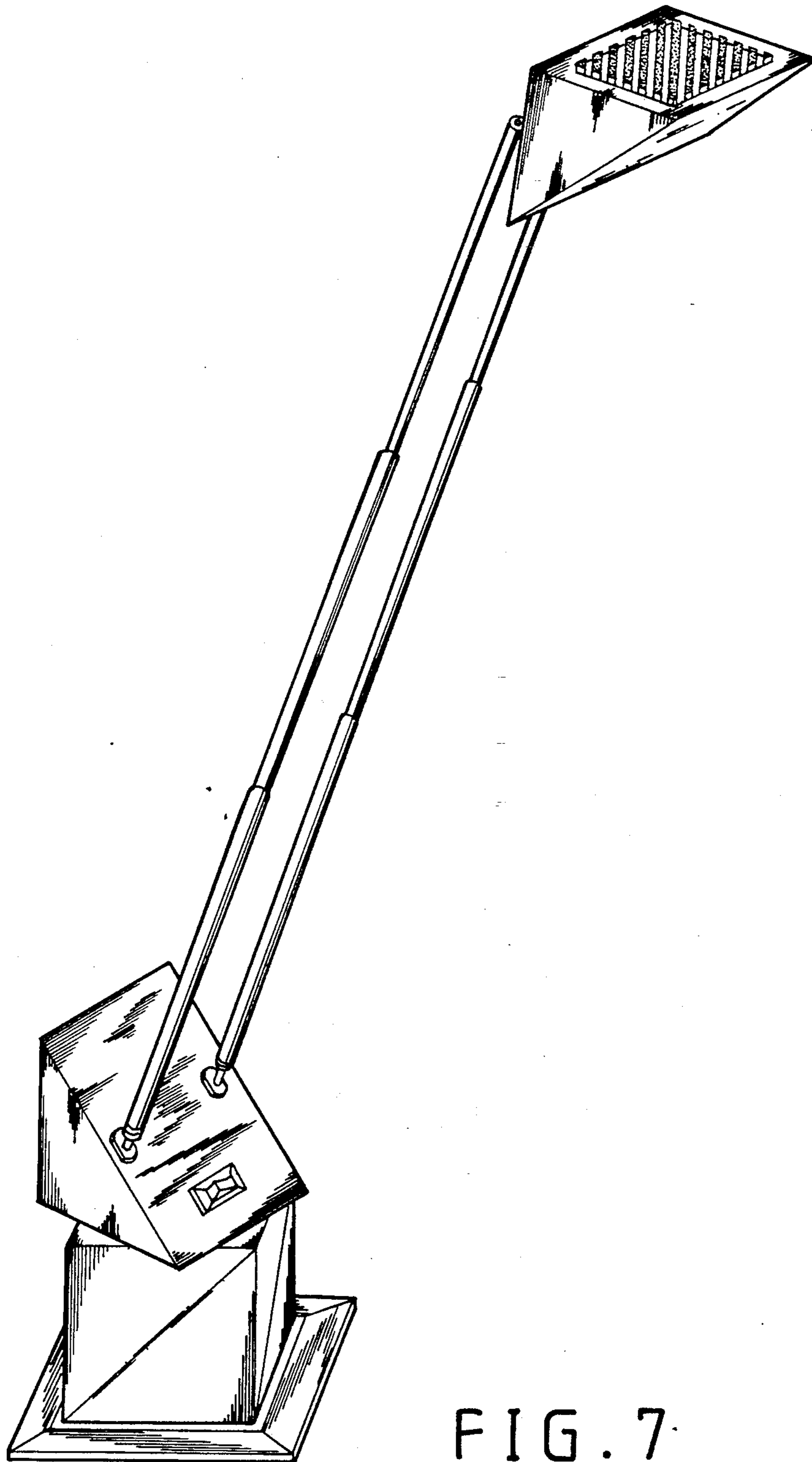


FIG. 7.