



US00D331294S

United States Patent [19]

[11] Patent Number: Des. 331,294

Wereley

[45] Date of Patent: ** Nov. 24, 1992

[54] COMBINED LAMP AND TRANSFORMER HOUSING FOR TRACK LIGHT

Primary Examiner—Susan J. Lucas
Attorney, Agent, or Firm—Anthony S. Zummer

[75] Inventor: Gary P. Wereley, Wheaton, Ill.

[57] CLAIM

[73] Assignee: Juno Lighting, Inc., Des Plaines, Ill.

The ornamental design for an combined lamp and transformer housing for track light, as shown and described.

[**] Term: 14 Years

DESCRIPTION

[21] Appl. No.: 636,941

FIG. 1 is a front, left side and upper perspective view of an combined lamp and transformer housing for track light showing my new design;

[22] Filed: Jan. 2, 1991

FIG. 2 is a front elevational view thereof;

[52] U.S. Cl. D26/63

FIG. 3 is a rear elevational view thereof;

[58] Field of Search D26/60-66;
362/147, 432, 269, 275, 287, 418, 419, 427, 428

FIG. 4 is a left side elevational view thereof;

FIG. 5 is a right side elevational view thereof;

[56] References Cited

U.S. PATENT DOCUMENTS

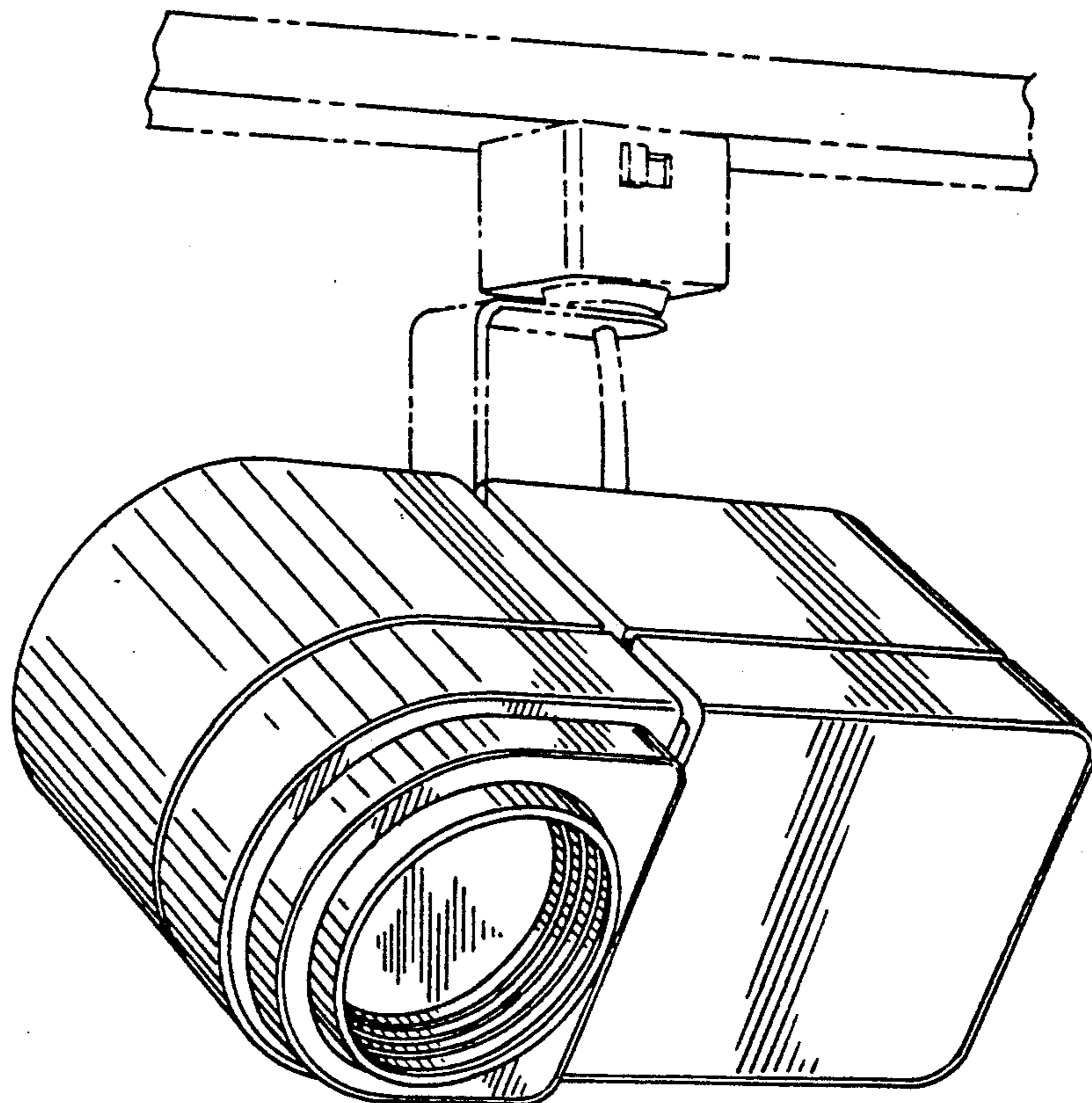
FIG. 6 is a top plan view thereof; and,

FIG. 7 is a bottom plan view thereof.

D. 292,235 10/1987 Roos D26/65

D. 315,418 3/1991 Layne D26/63

The yoke, track mount and portion of the track are shown in broken lines for illustrative purposes only.



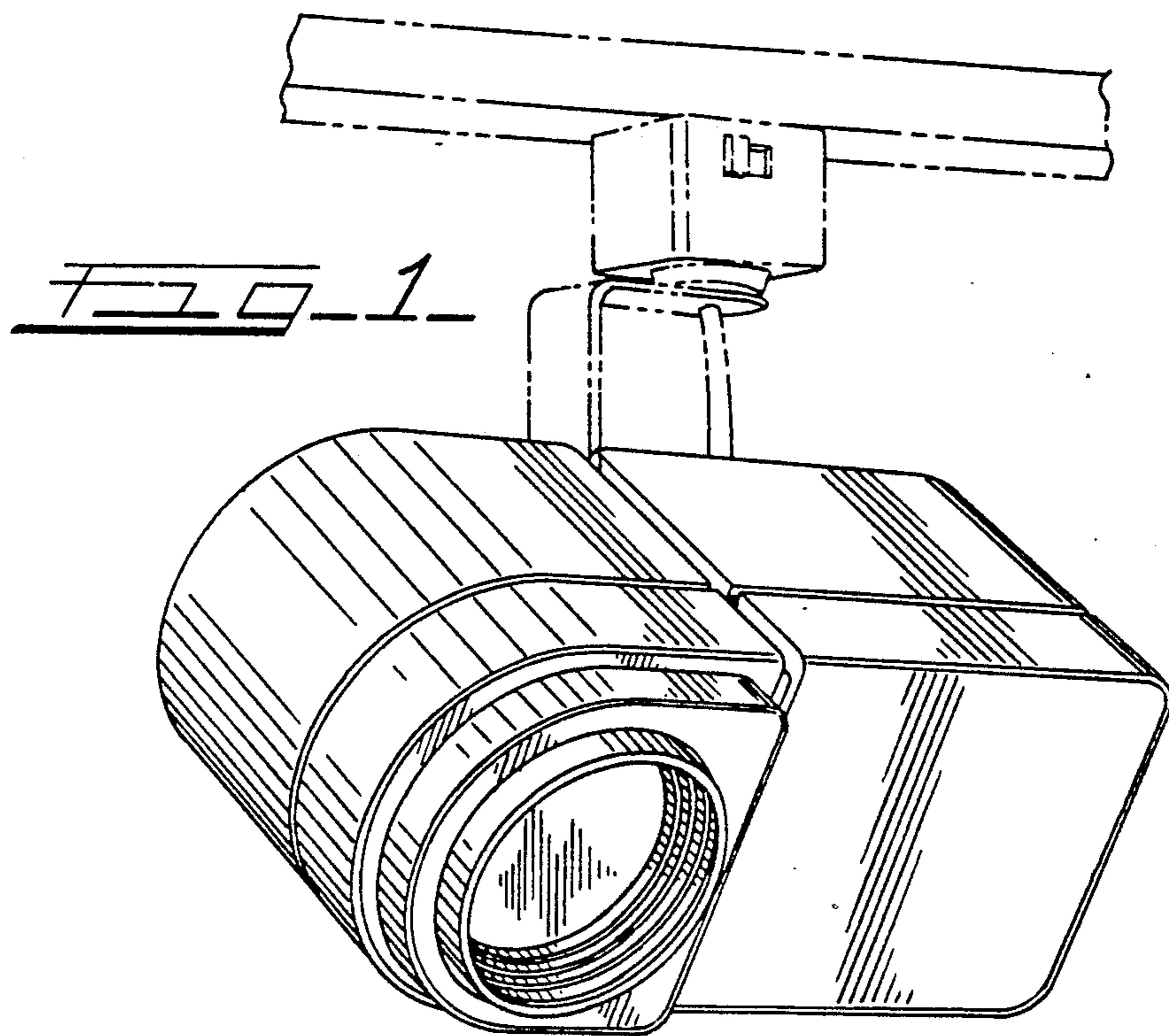


FIG. 2

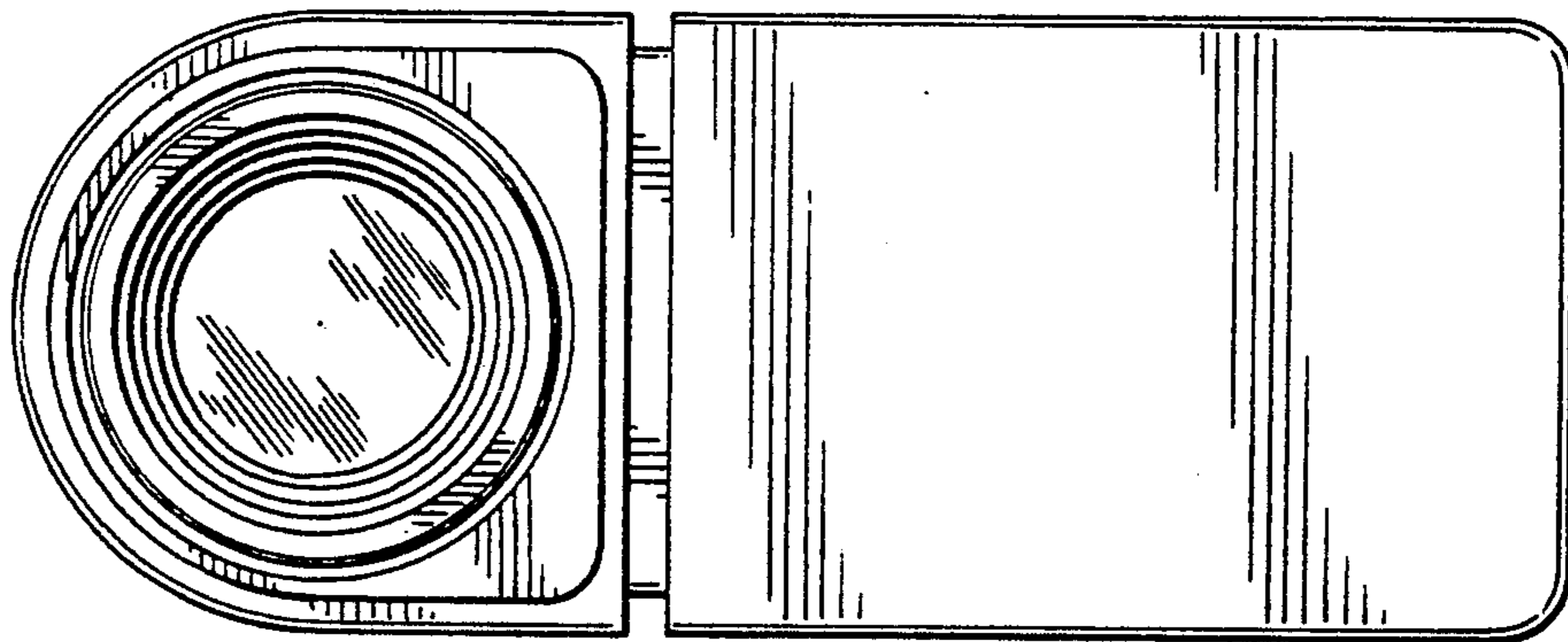


FIG. 3

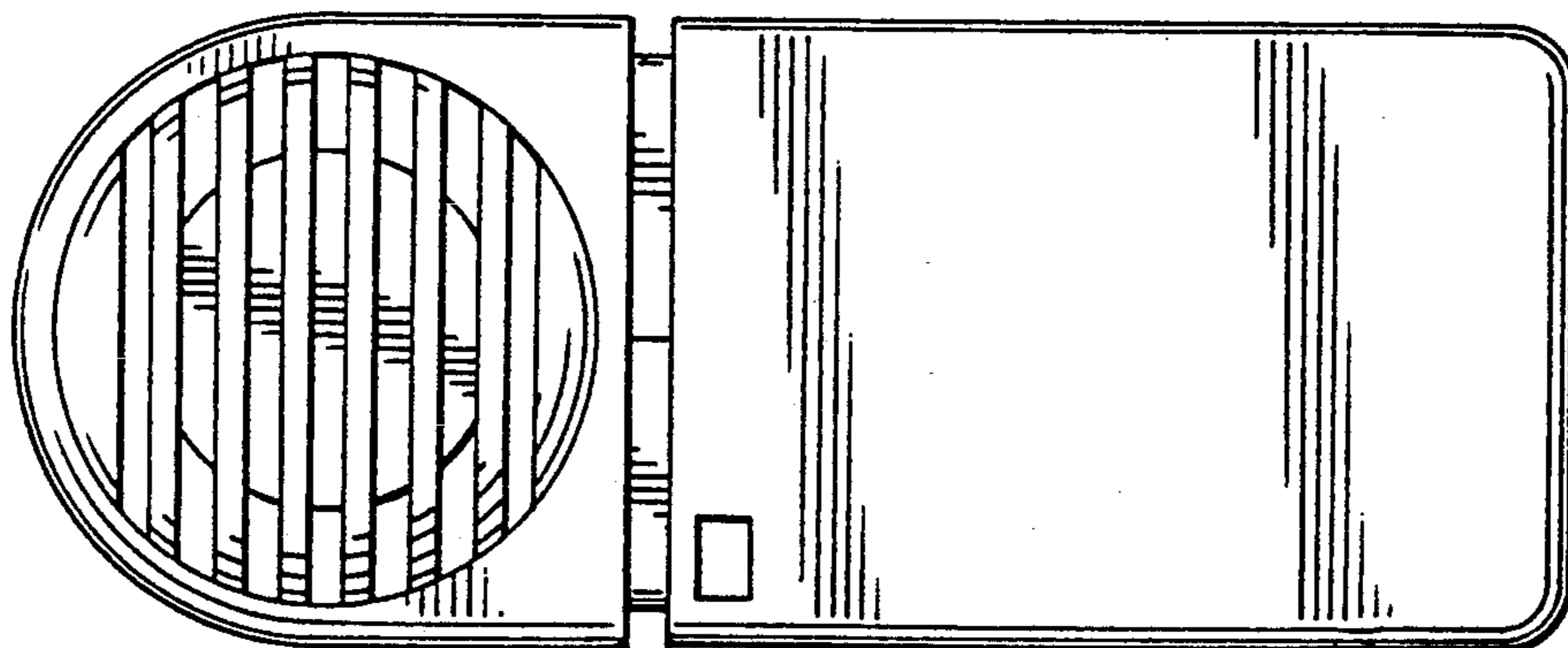


FIG. 4

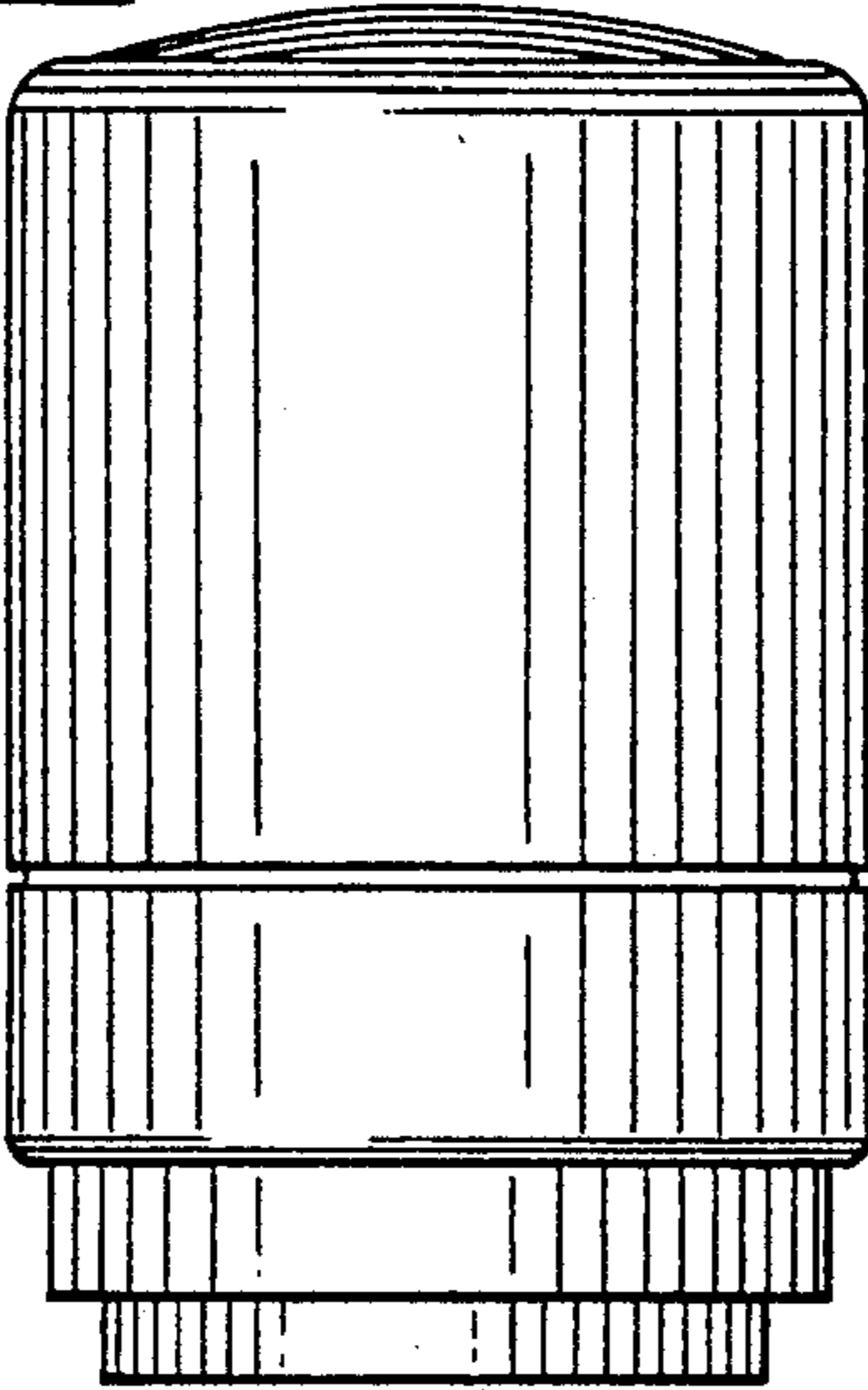


FIG. 5

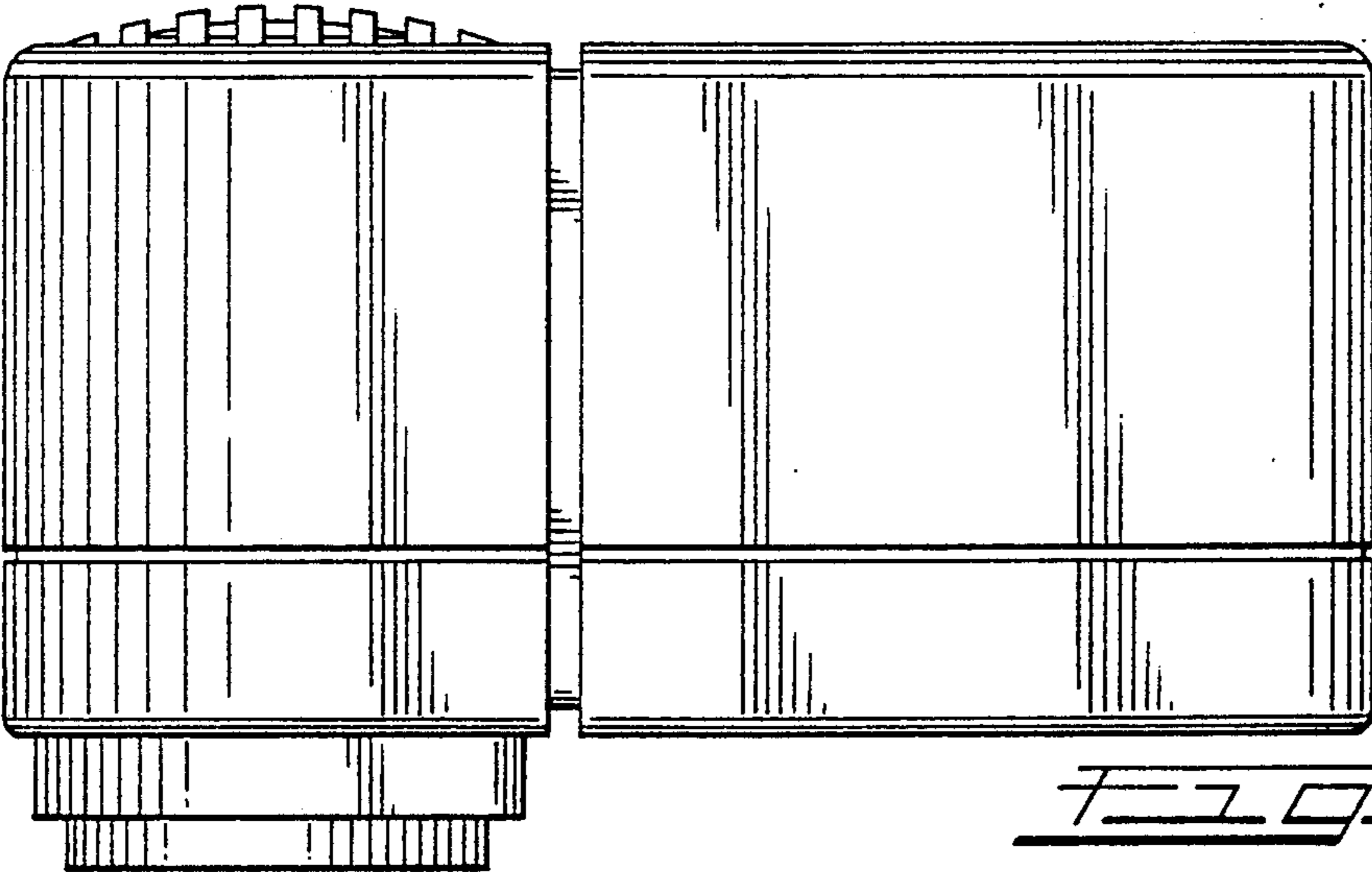
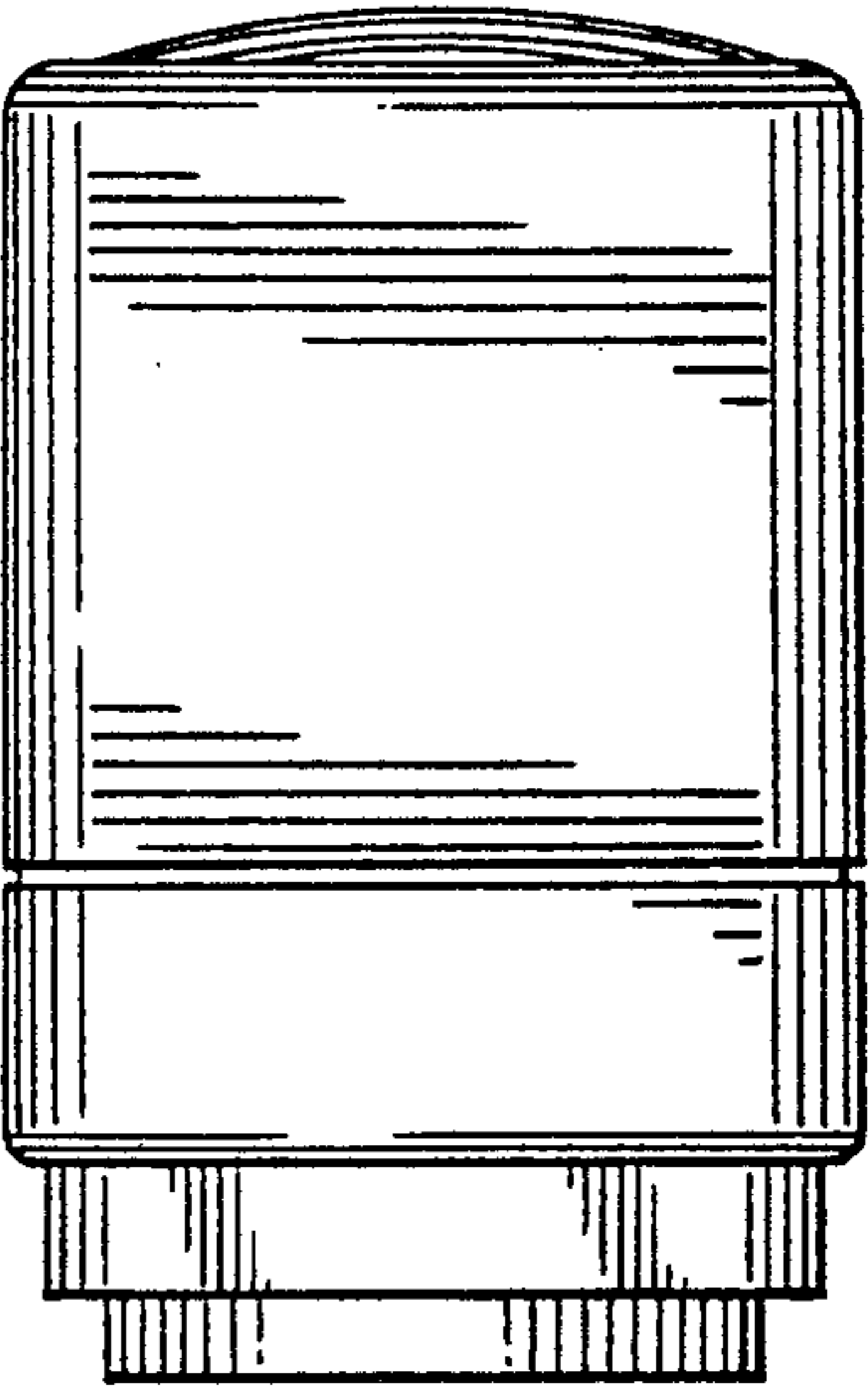


FIG. 6

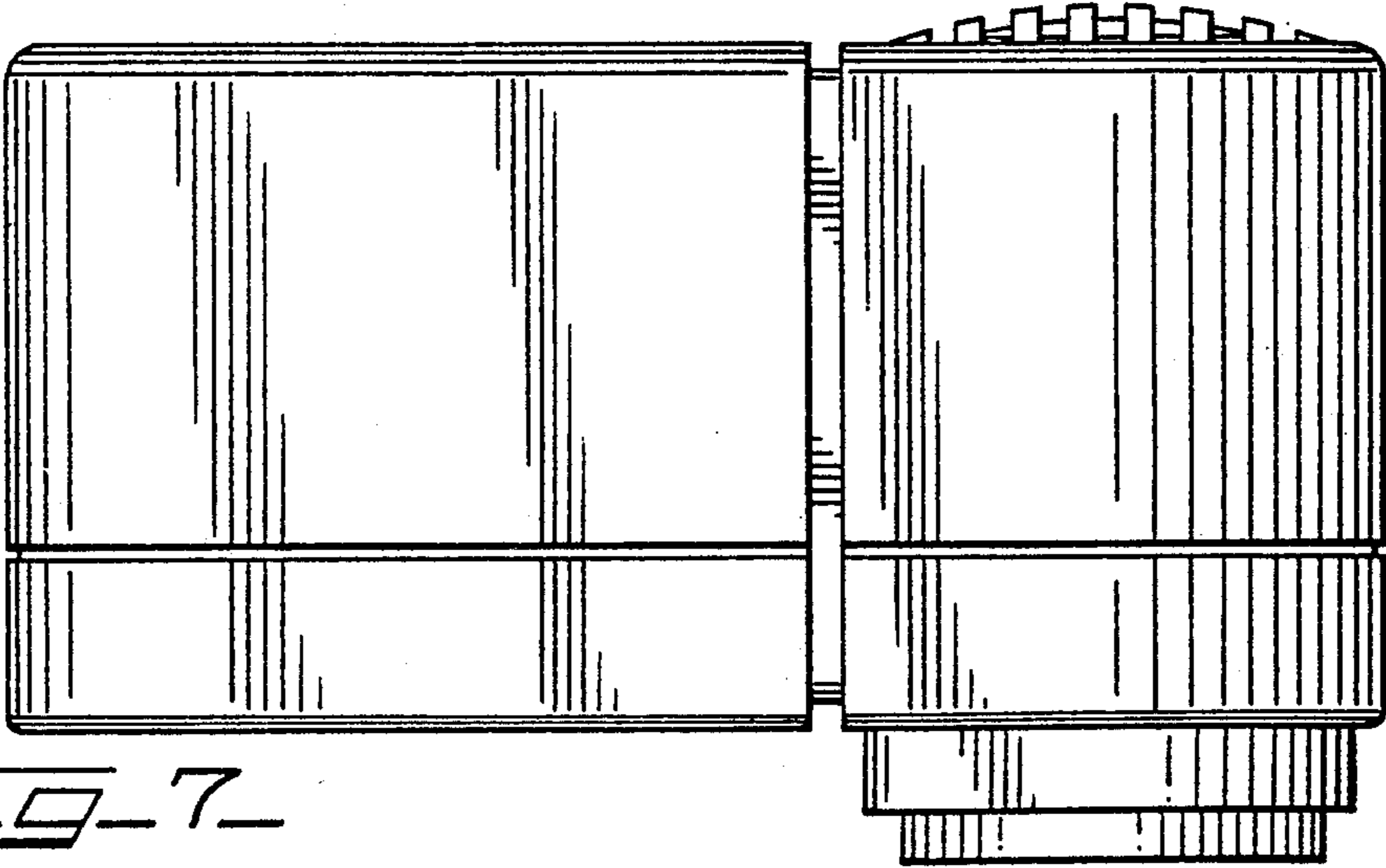


FIG. 7