



US00D331293S

United States Patent [19]

Dickerson

[11] Patent Number: **Des. 331,293**

[45] Date of Patent: **** Nov. 24, 1992**

[54] FLASHLIGHT

[75] Inventor: **Jack Dickerson, Camdenton, Mo.**

[73] Assignee: **Jadico Limited, Camdenton, Mo.**

[**] Term: **14 Years**

[21] Appl. No.: **728,957**

[22] Filed: **Jul. 11, 1991**

[52] U.S. Cl. **D26/49**

[58] Field of Search **D26/37-50;**
362/157, 158, 183-191, 194-202, 205

[56] **References Cited**

U.S. PATENT DOCUMENTS

- D. 226,022 1/1973 Holtzman D26/46 X
- D. 300,870 4/1989 Leung D26/49 X

D. 312,509 11/1990 Sharrah D26/49

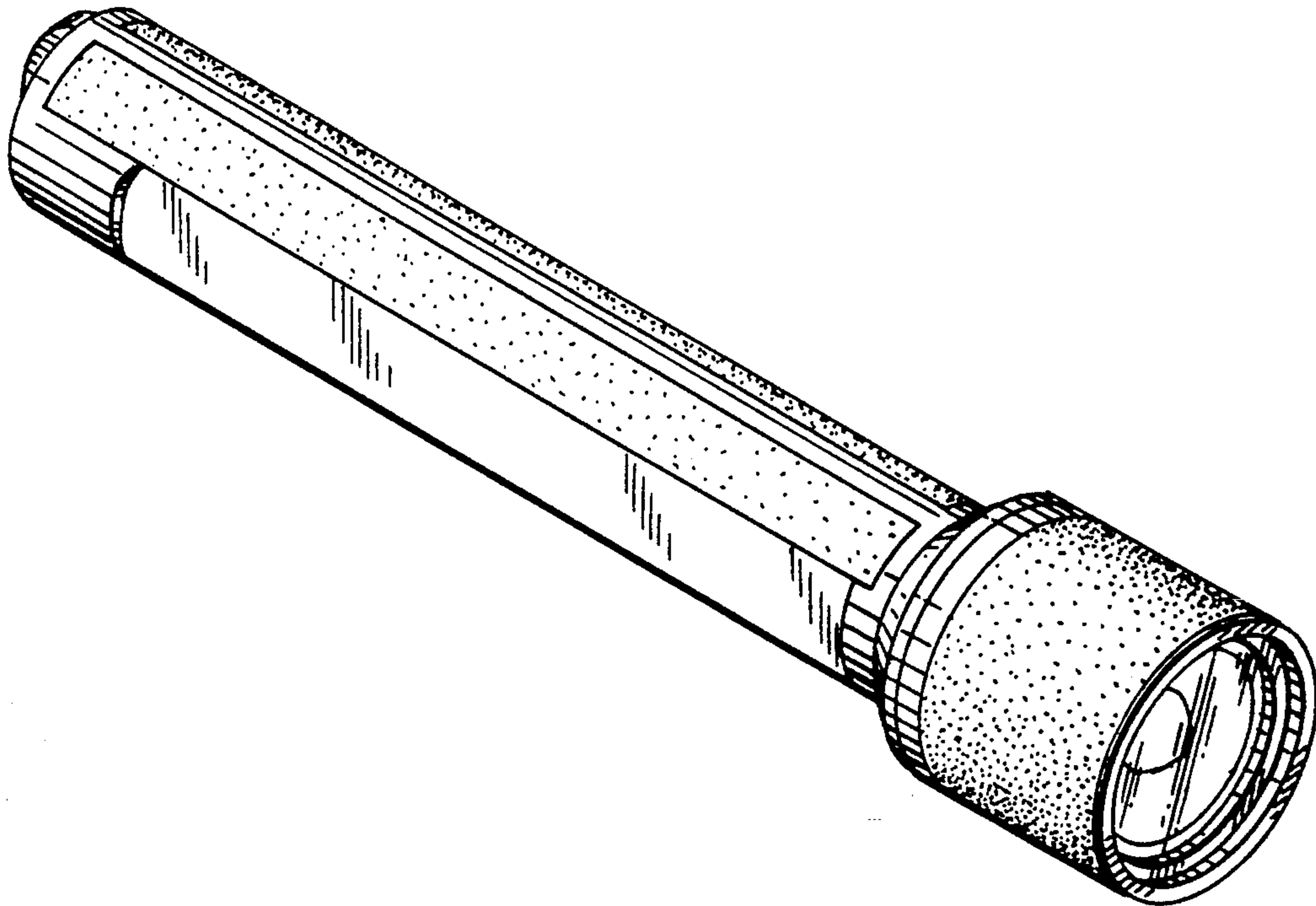
Primary Examiner—Susan J. Lucas
Attorney, Agent, or Firm—Bryan Cave

[57] **CLAIM**

The ornamental design for a flashlight, as shown and described.

DESCRIPTION

FIG. 1 is a front perspective view of a flashlight showing my new design;
 FIG. 2 is a front elevational view thereof;
 FIG. 3 is a left side elevational view thereof;
 FIG. 4 is a top plan view thereof;
 FIG. 5 is a right side elevational view thereof;
 FIG. 6 is a rear elevational view thereof; and,
 FIG. 7 is a bottom plan view thereof.



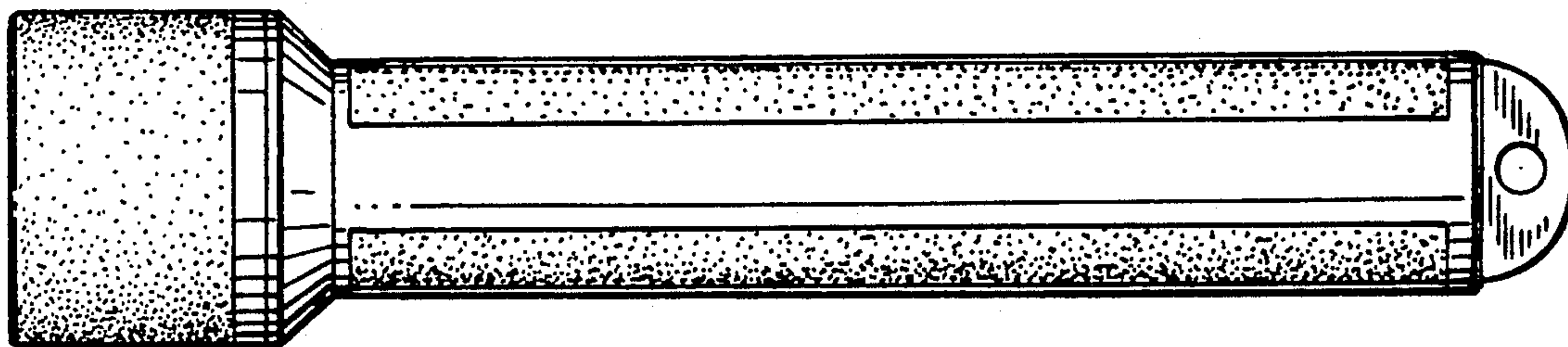
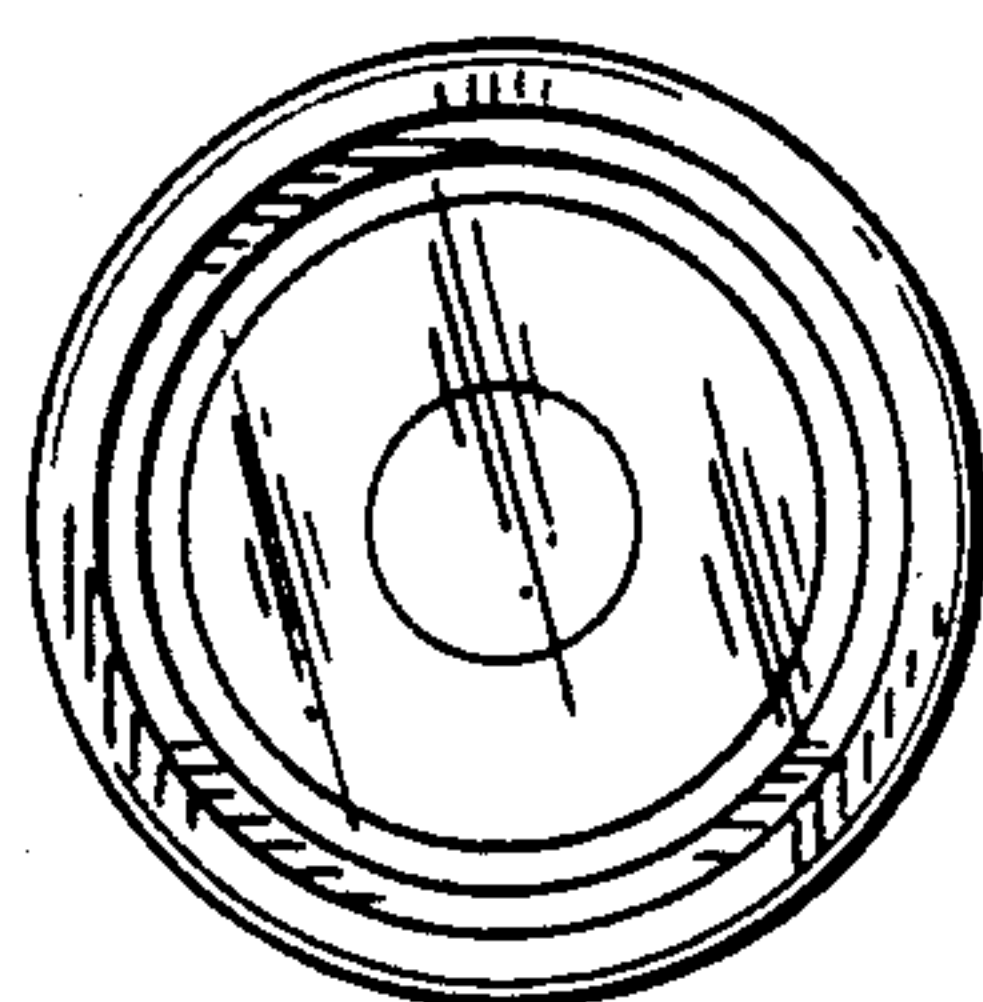
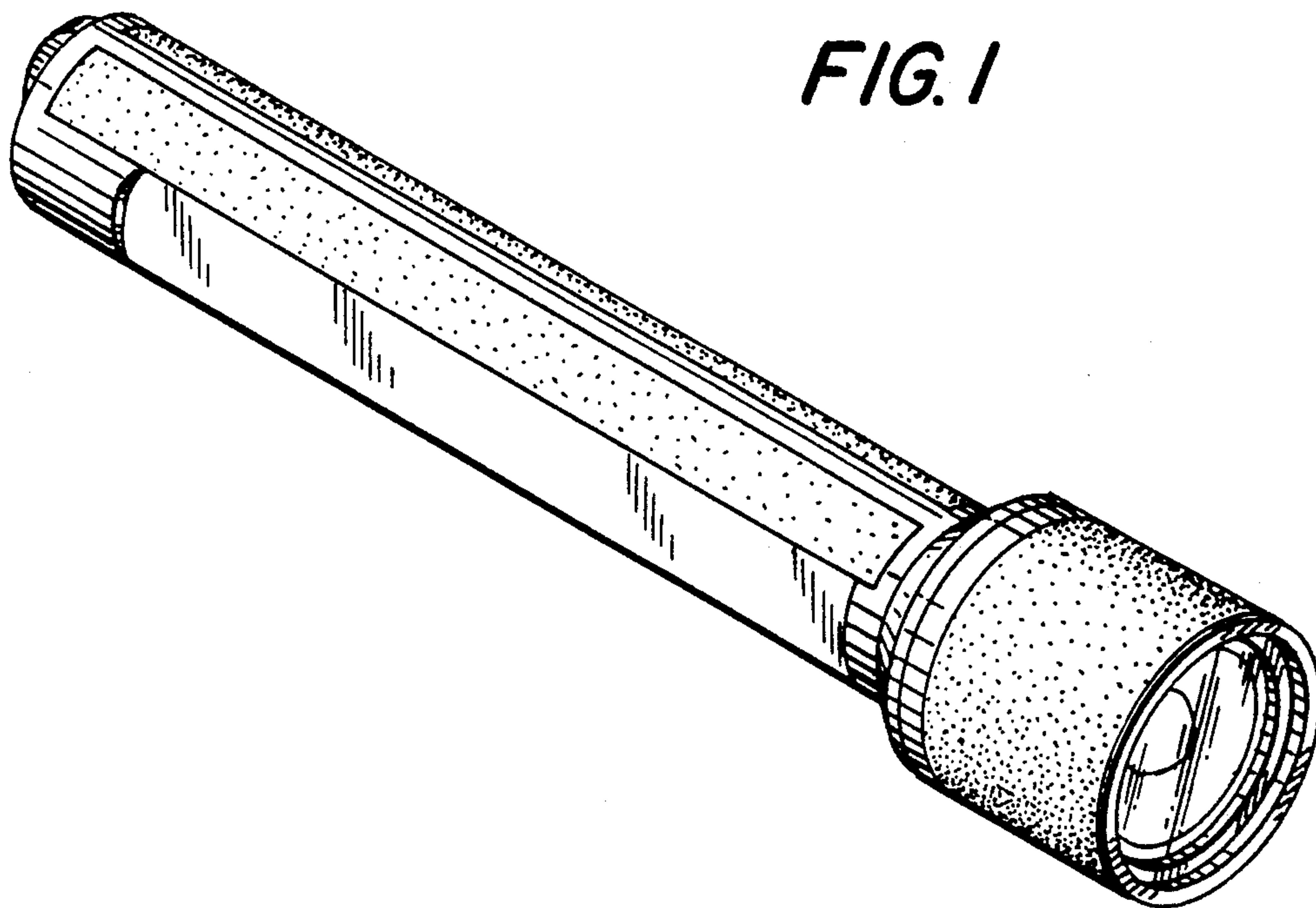


FIG. 4

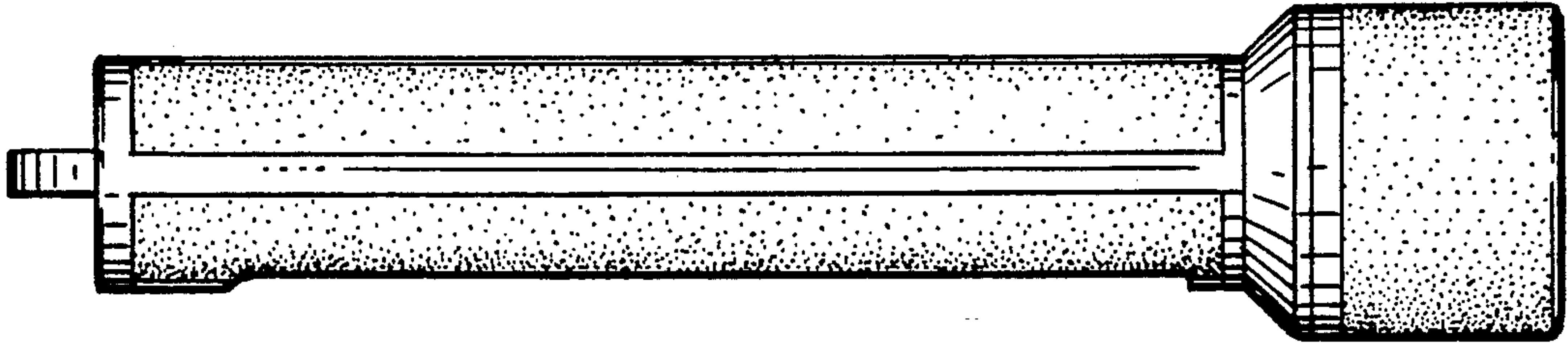


FIG. 5

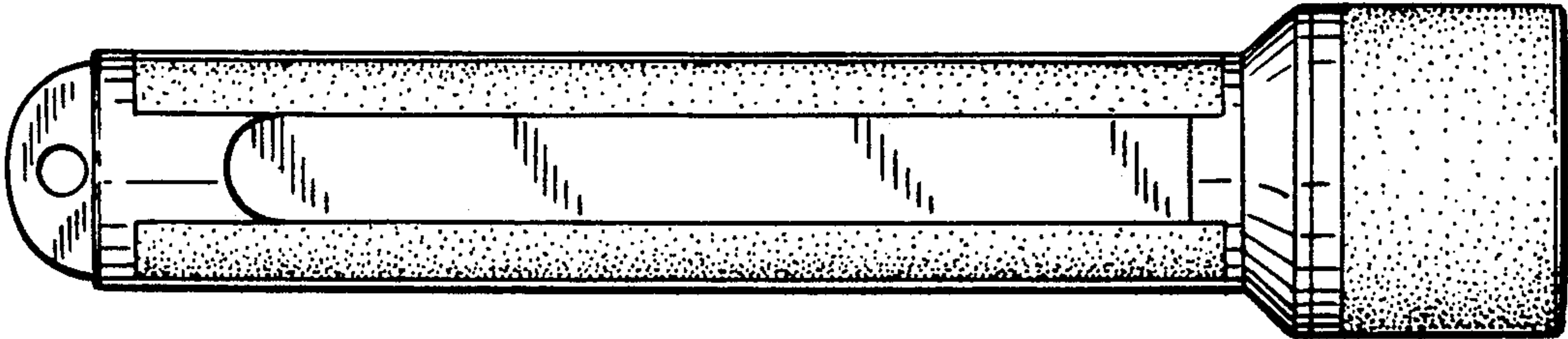


FIG. 6

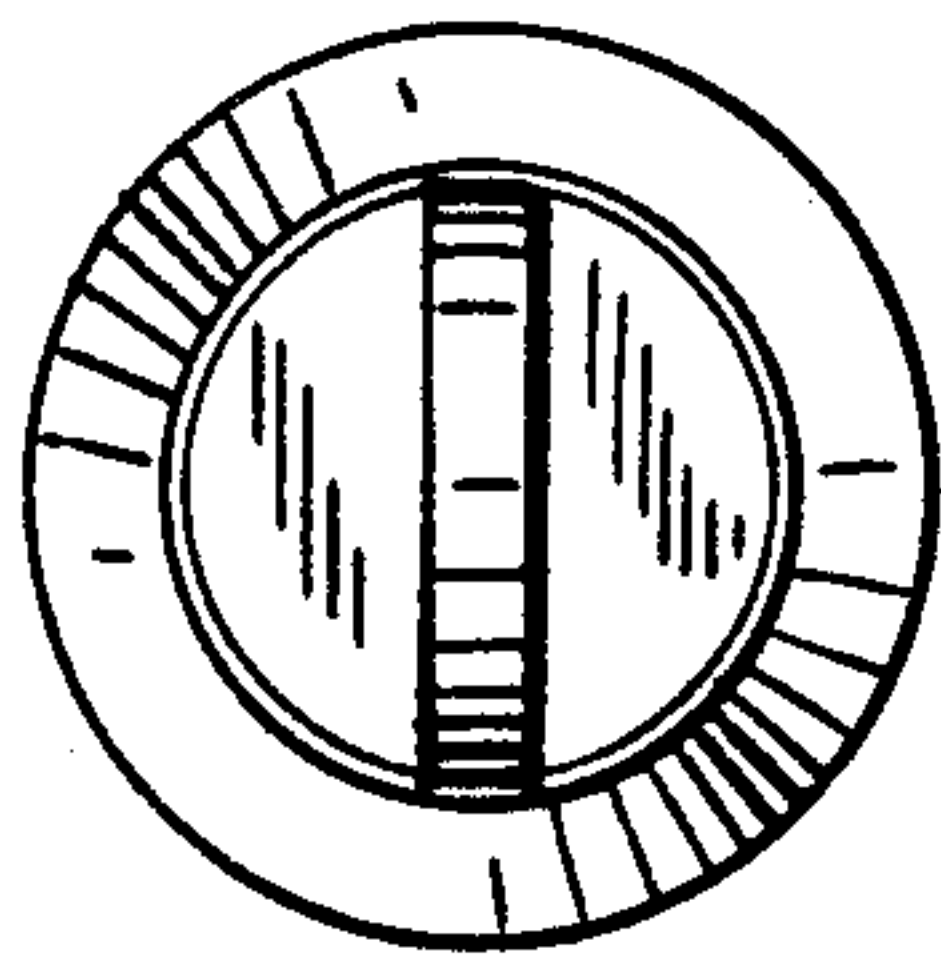


FIG. 7

