



US00D331292S

United States Patent [19]

[11] Patent Number: **Des. 331,292**

Ham

[45] Date of Patent: **** Nov. 24, 1992**

[54] **PORTABLE PLUG-IN FLUORESCENT LAMP**

D. 302,319	7/1989	Yuen	D26/26
2,640,911	6/1953	McCann	362/217
4,262,327	4/1981	Kovacik et al.	362/223

[76] Inventor: **Byung I. Ham**, 2672 Moterey Pl., Fullerton, Calif. 92633

Primary Examiner—Susan J. Lucas
Attorney, Agent, or Firm—Blakely Sokoloff Taylor & Zafman

[**] Term: **14 Years**

[21] Appl. No.: **510,398**

[22] Filed: **Apr. 16, 1990**

[52] U.S. Cl. **D26/26; D26/42; D26/76**

[57] **CLAIM**

The ornamental design for a portable plug-in fluorescent lamp, as shown and described.

[58] Field of Search 362/158, 157, 217, 183, 362/147, 226, 222, 223, 362; D26/72, 74-79, 24, 26, 42

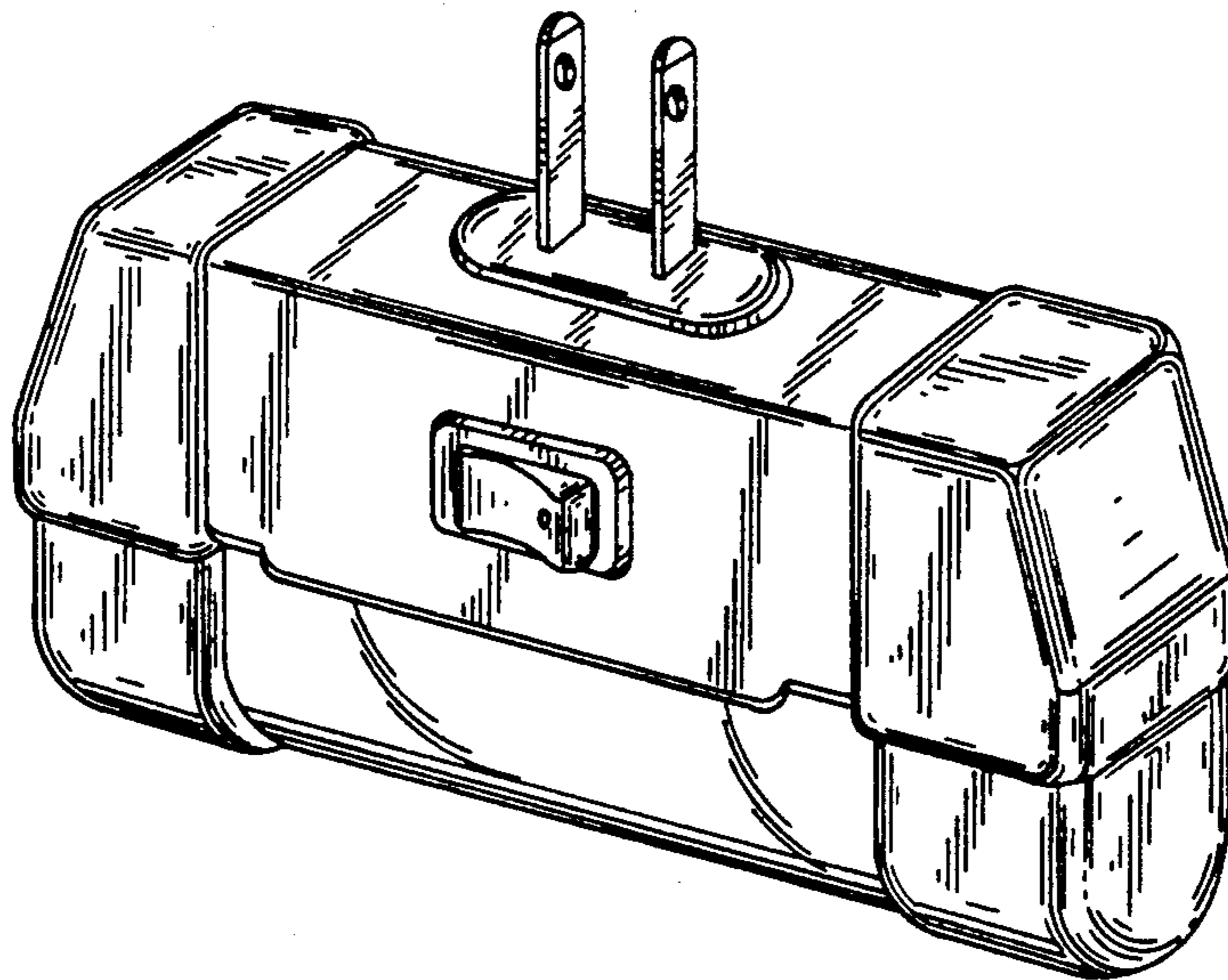
DESCRIPTION

FIG. 1 is a top, front perspective view of a portable plug-in fluorescent lamp showing my new design; FIG. 2 is a top plan view thereof; FIG. 3 is a front elevational view thereof; FIG. 4 is a bottom plan view thereof; FIG. 5 is a rear elevational view thereof; FIG. 6 is a left side elevational view thereof; and, FIG. 7 is a right side elevational view thereof.

[56] **References Cited**

U.S. PATENT DOCUMENTS

D. 138,162	6/1944	Maurette	D26/77
D. 149,449	4/1948	Schwartz et al.	D26/78
D. 301,750	6/1989	Fenne	D26/85 X



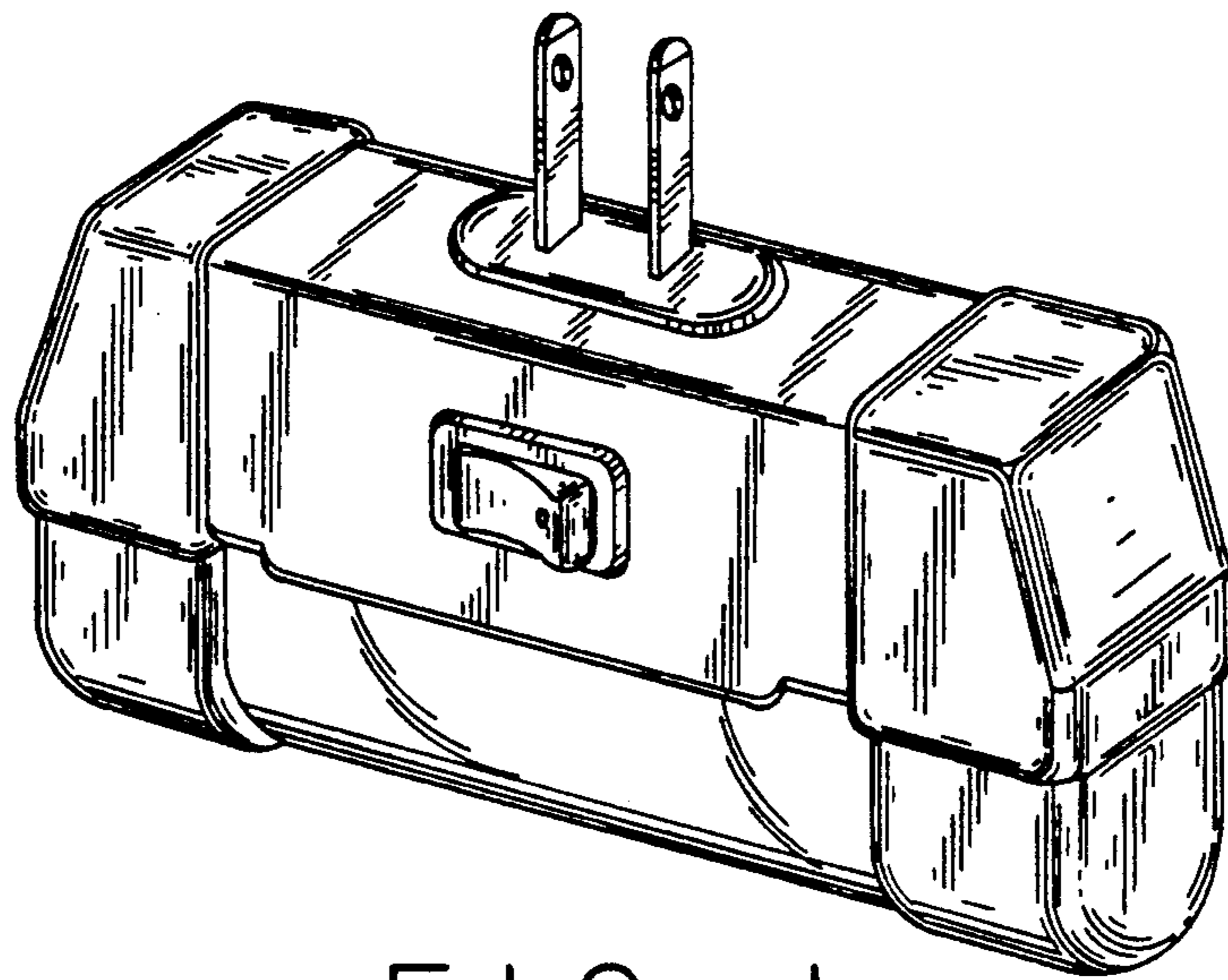


FIG. 1

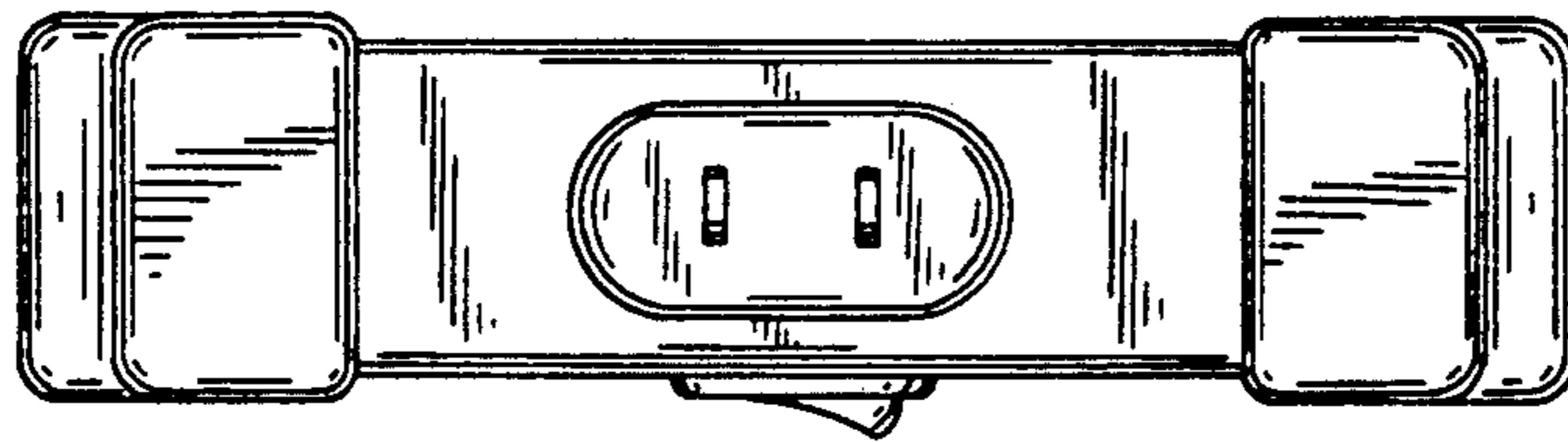


FIG. 2

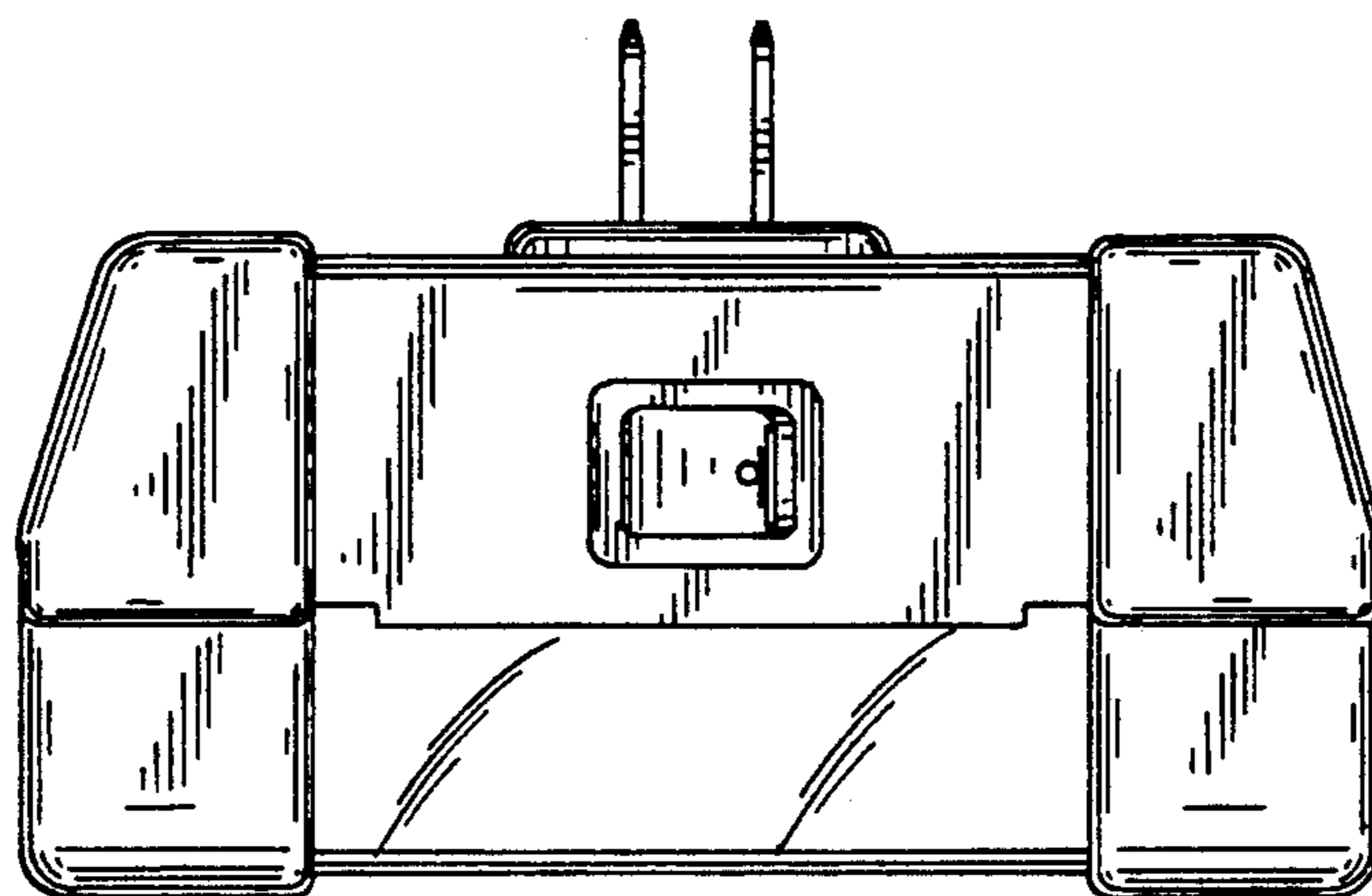


FIG. 3

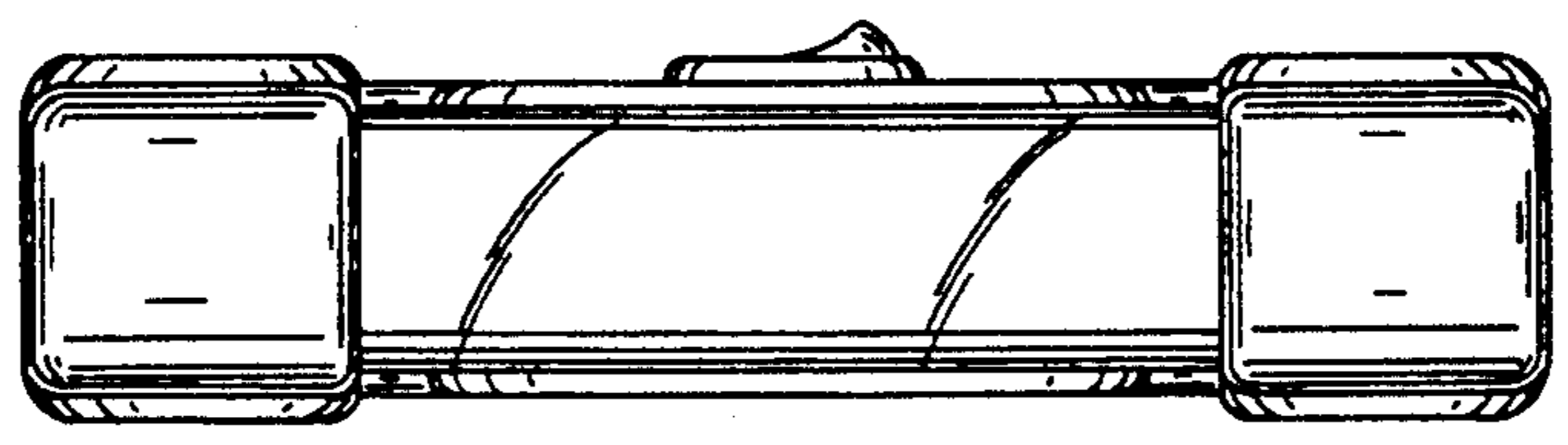


FIG. 4

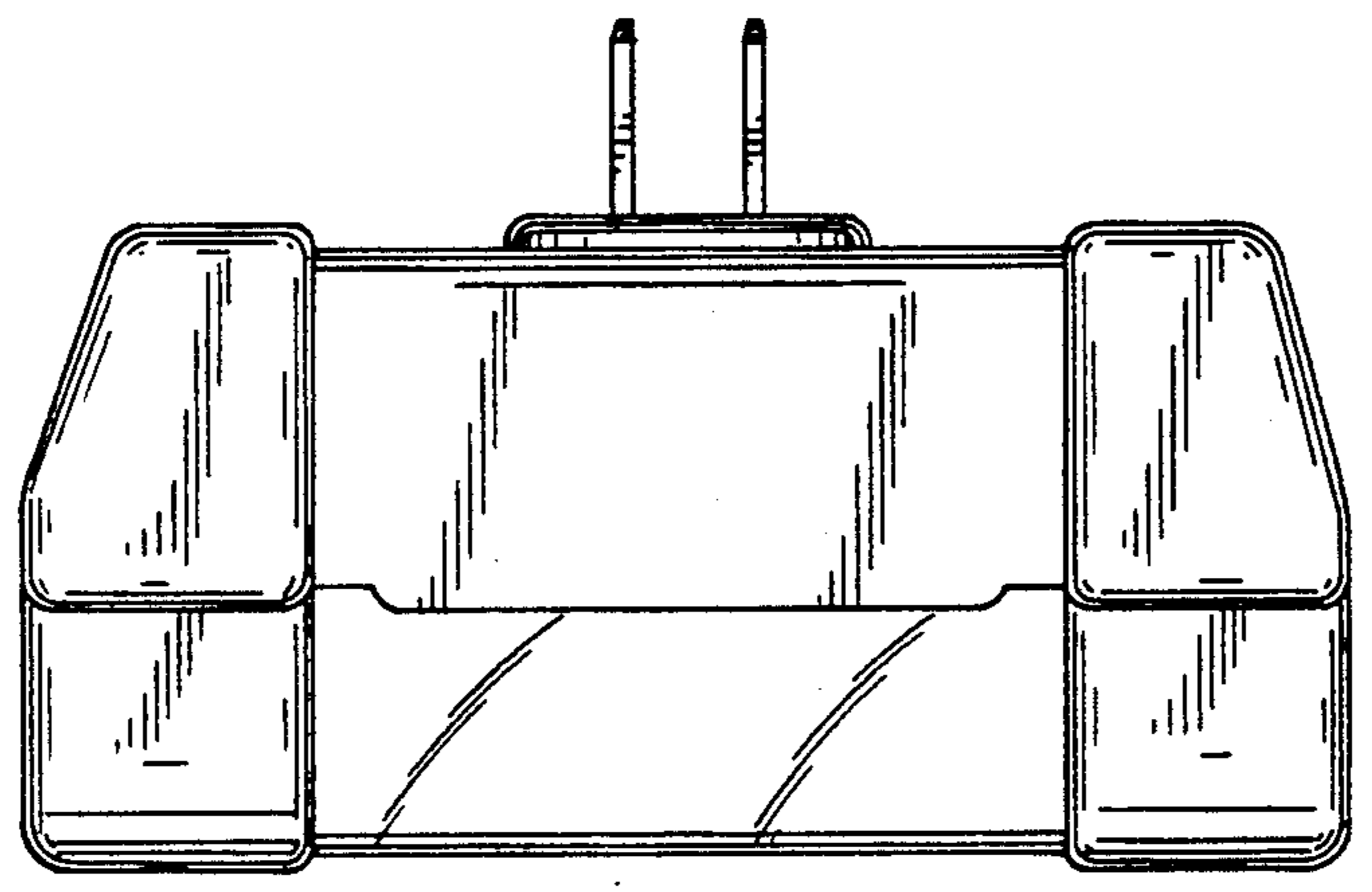


FIG. 5

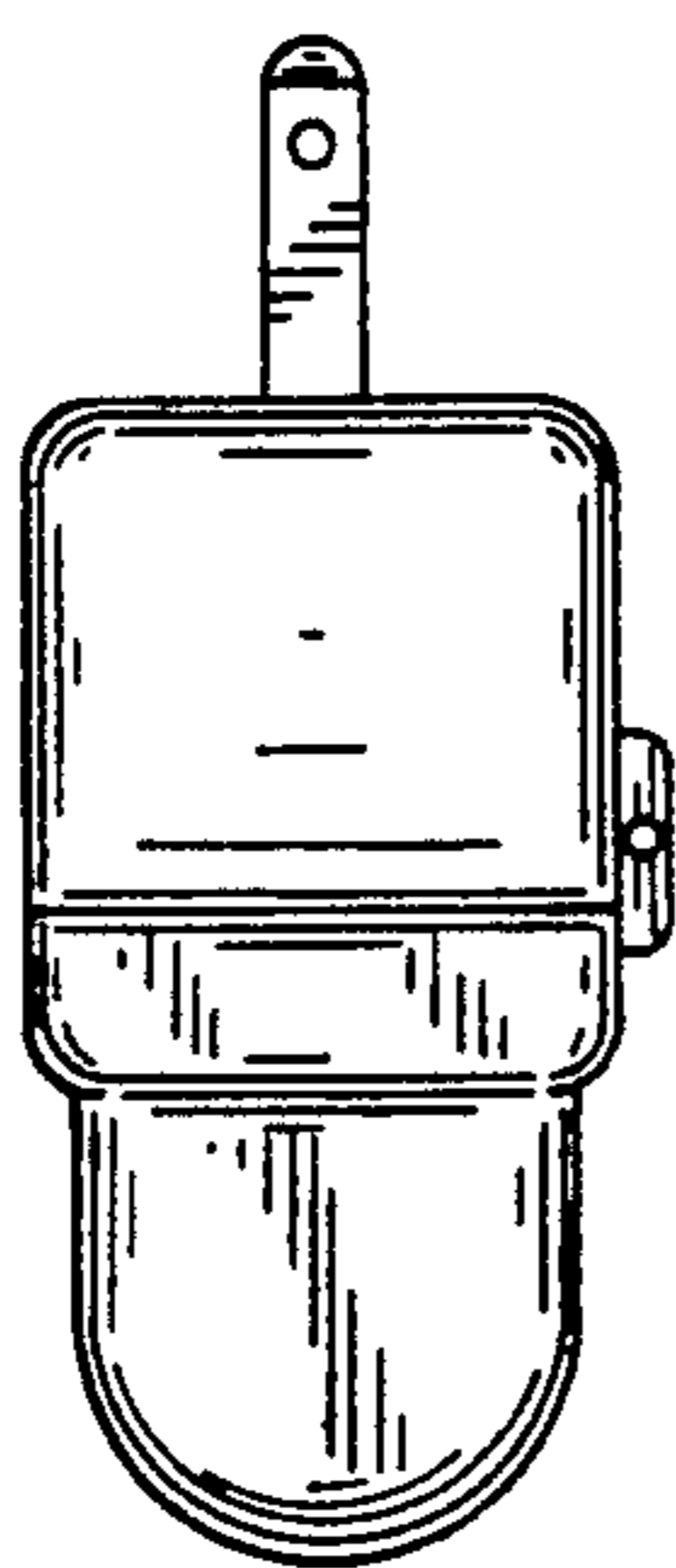


FIG. 6

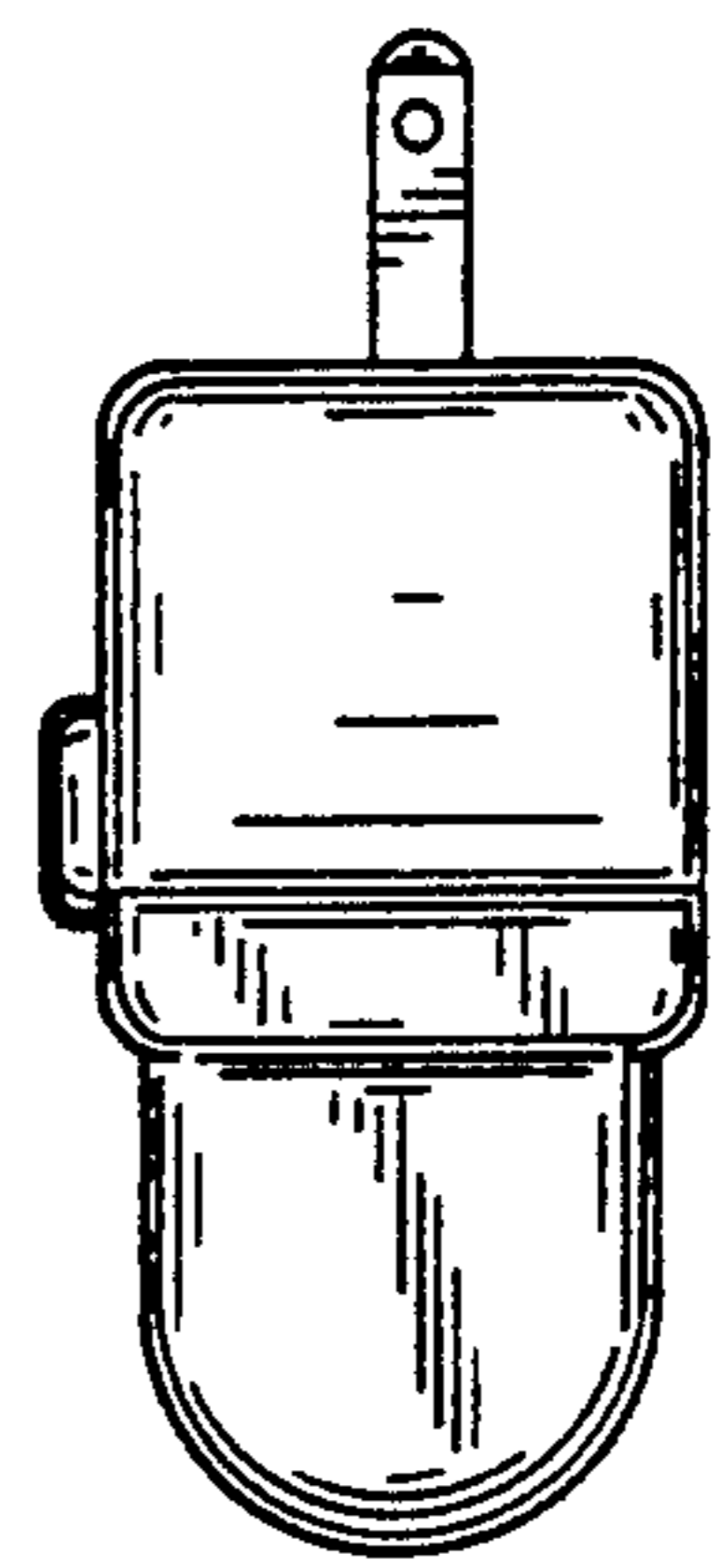


FIG. 7