



US00D331290S

United States Patent [19]

[11] Patent Number: **Des. 331,290**

Rogers

[45] Date of Patent: **** Nov. 24, 1992**

- [54] LIP SECTION SCREEN BAR
- [75] Inventor: **Stewart Rogers, Brampton, Canada**
- [73] Assignee: **Bay Mills Limited, Ontario, Canada**
- [**] Term: **14 Years**
- [21] Appl. No.: **360,207**
- [22] Filed: **Jun. 1, 1989**
- [30] **Foreign Application Priority Data**
Dec. 13, 1988 [CA] Canada1312889
- [52] U.S. Cl. **D25/124**
- [58] Field of Search D25/53, 122, 124, 52;
52/579, 732; 160/391-396

Primary Examiner—A. Hugo Word
Assistant Examiner—Doris Clark
Attorney, Agent, or Firm—Nixon & Vanderhye

[57] **CLAIM**

The ornamental design for lip section screen bar, as shown and described.

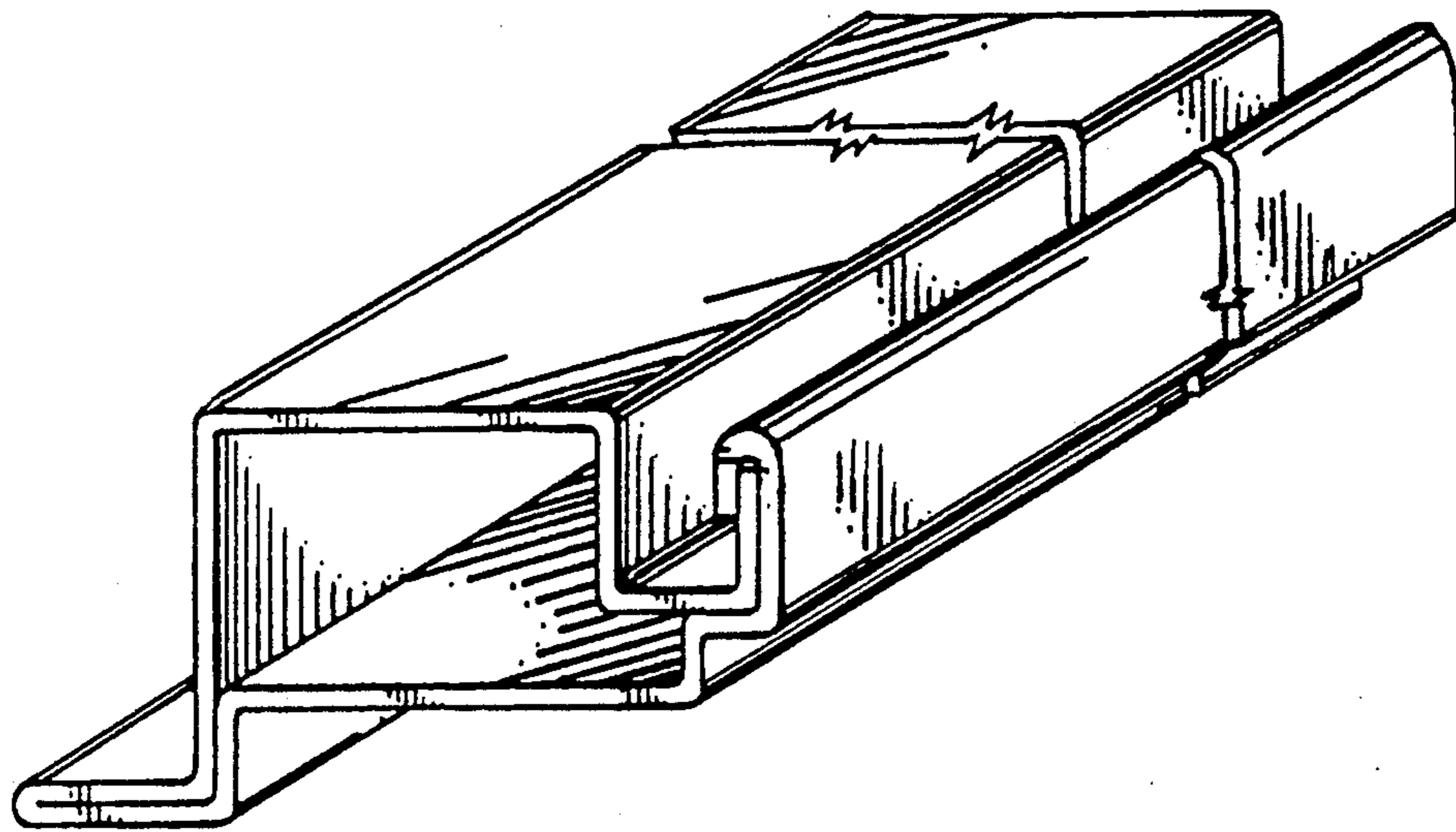
DESCRIPTION

FIG. 1 is a right side perspective view of a lip section screen bar showing my new design the lip section screen bar is broken in the center to indicate indeterminate length;
 FIG. 2 is a left side perspective view thereof;
 FIG. 3 is an end elevational view of a second embodiment of a lip section screen bar showing my new design;
 FIG. 4 is end elevational view of a third embodiment of a lip section screen bar showing my new design;
 FIG. 5 is an end elevational view of a fourth embodiment of a lip section screen bar showing my new design;
 FIG. 6 is an end elevational view of fifth embodiment of a lip section screen bar showing my new design; and,
 FIG. 7 is a bottom plan view of the lip section screen bar shown in FIGS. 1 and 2.

[56] **References Cited**

U.S. PATENT DOCUMENTS

1,335,492	3/1920	Goetz	D25/52
1,590,206	6/1926	Reinhardt	52/455
1,793,535	2/1931	Abronski	160/391
3,374,597	3/1968	Whitener	160/391
3,545,496	12/1970	Wogerbauer	D25/122
4,468,905	9/1984	Gribben	D25/52



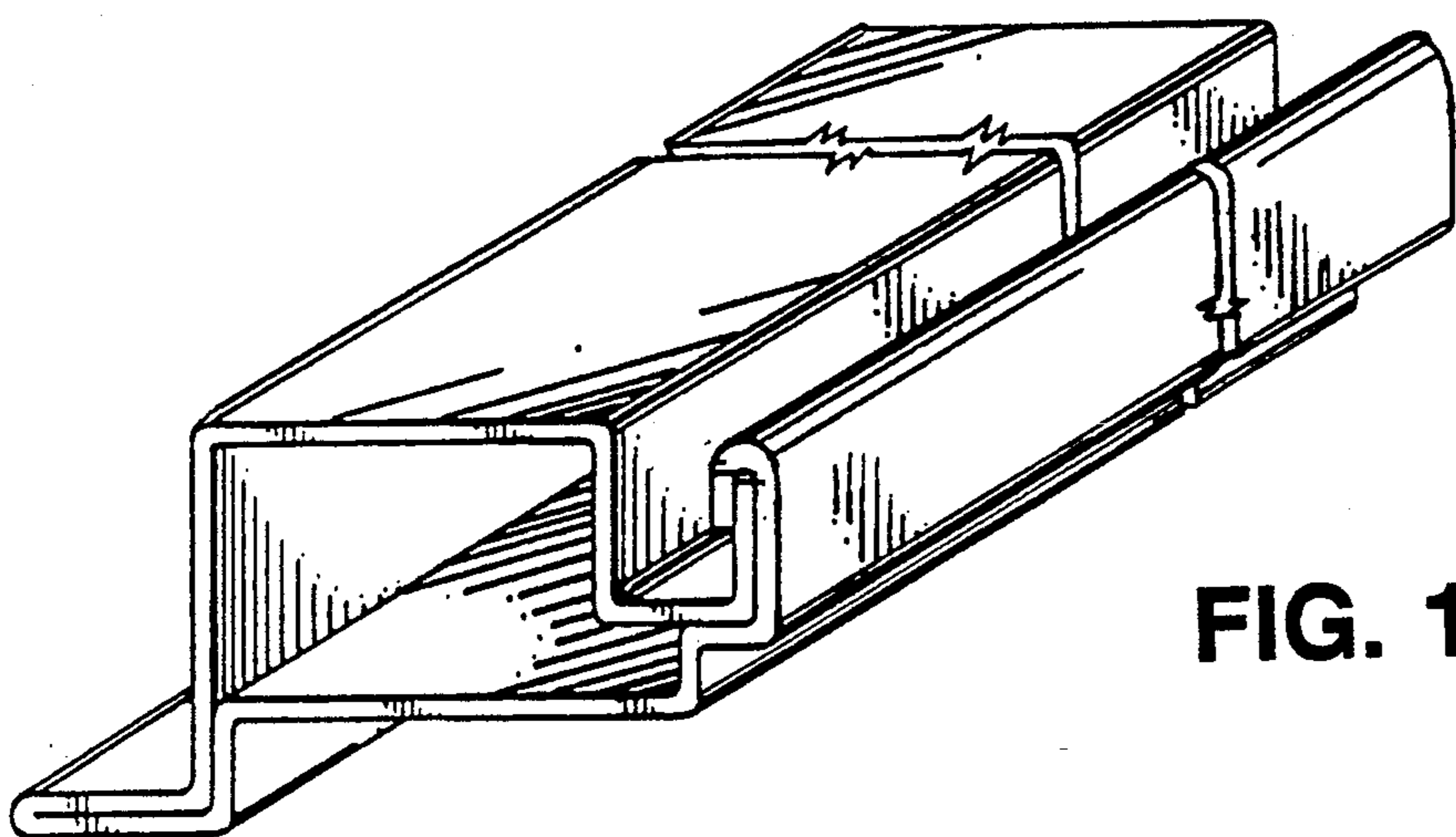


FIG. 1

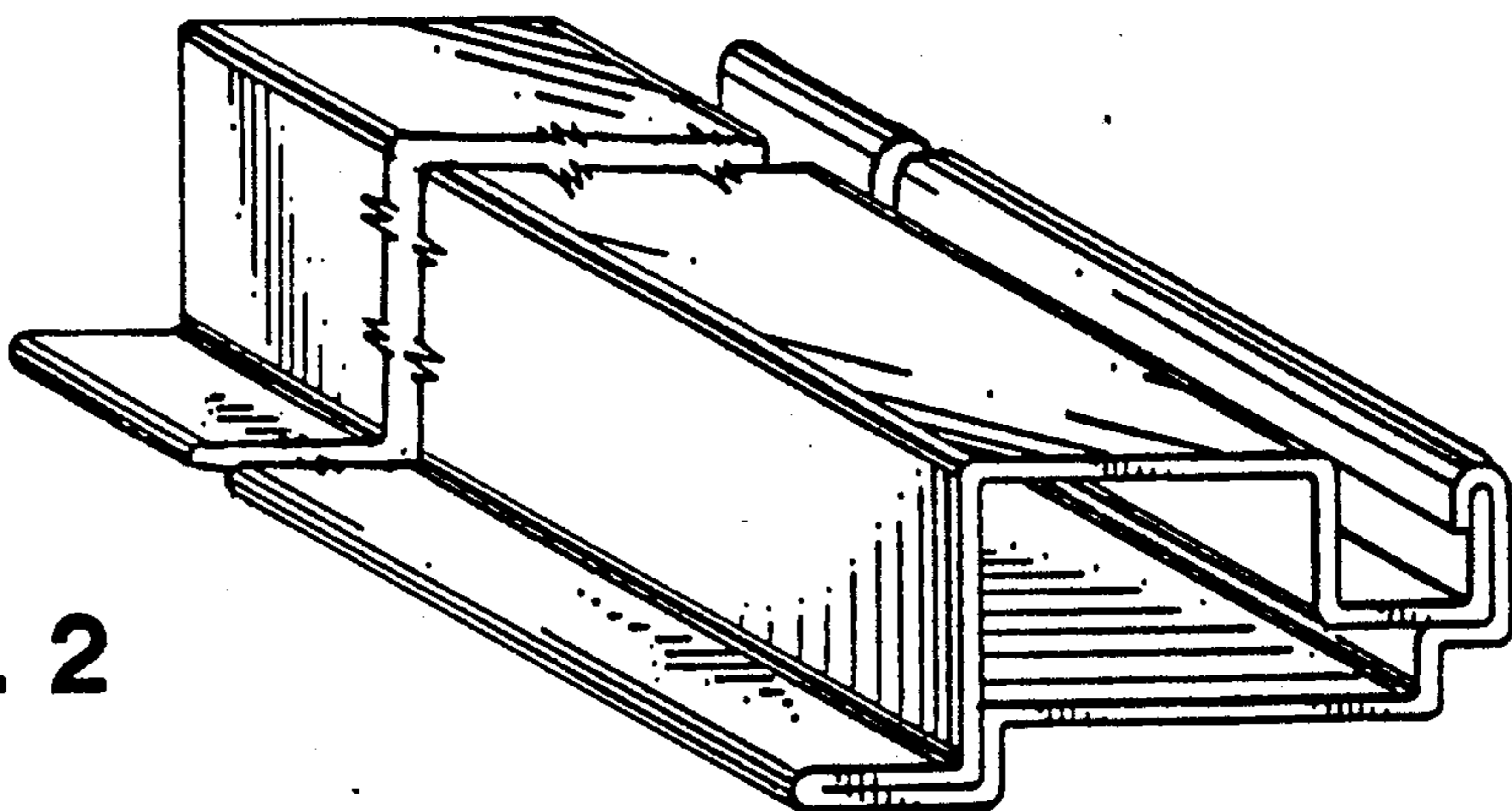


FIG. 2

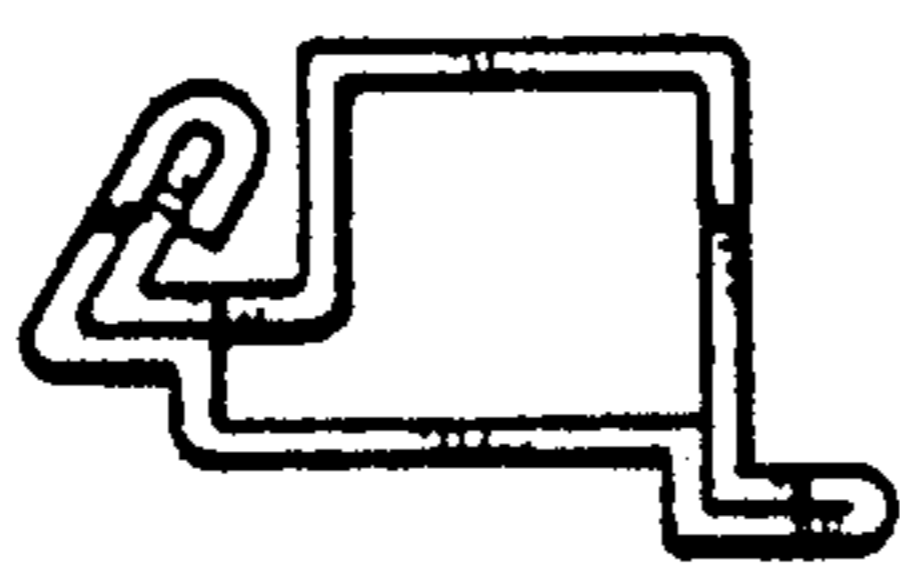


FIG. 3

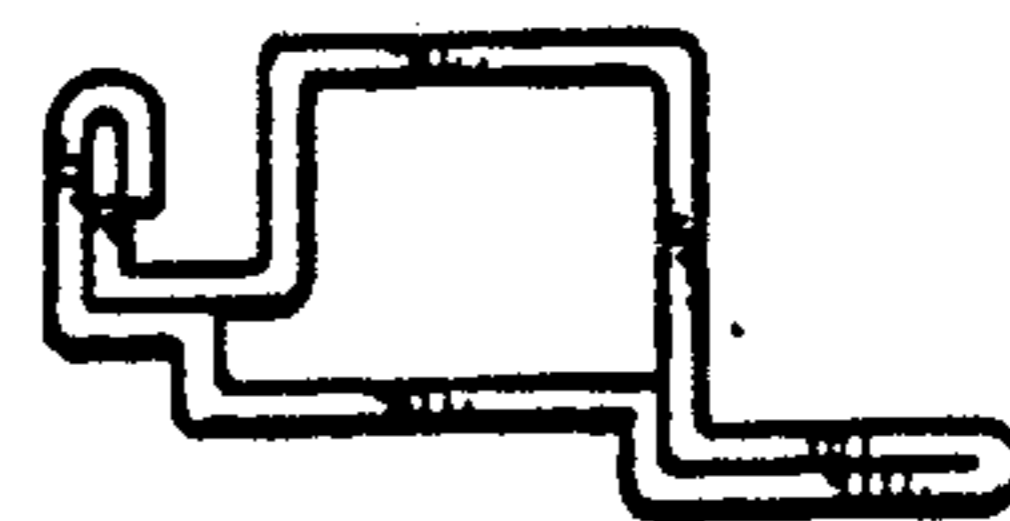


FIG. 4

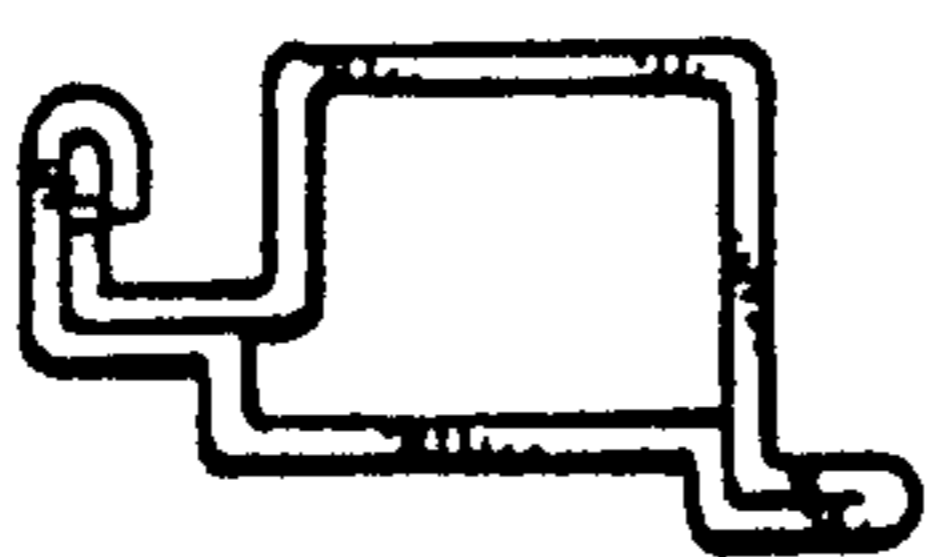


FIG. 5

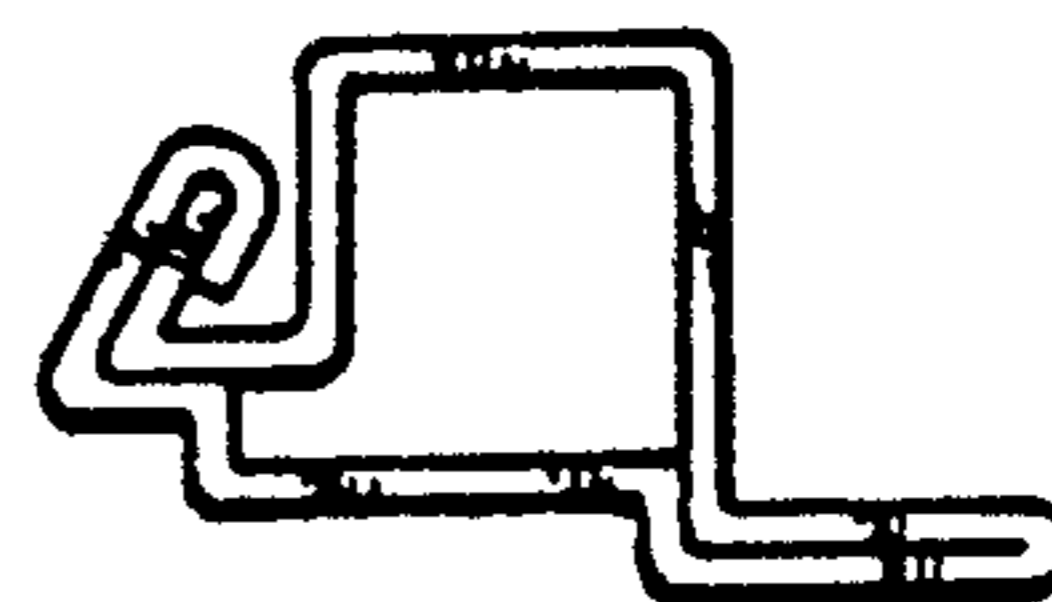


FIG. 6

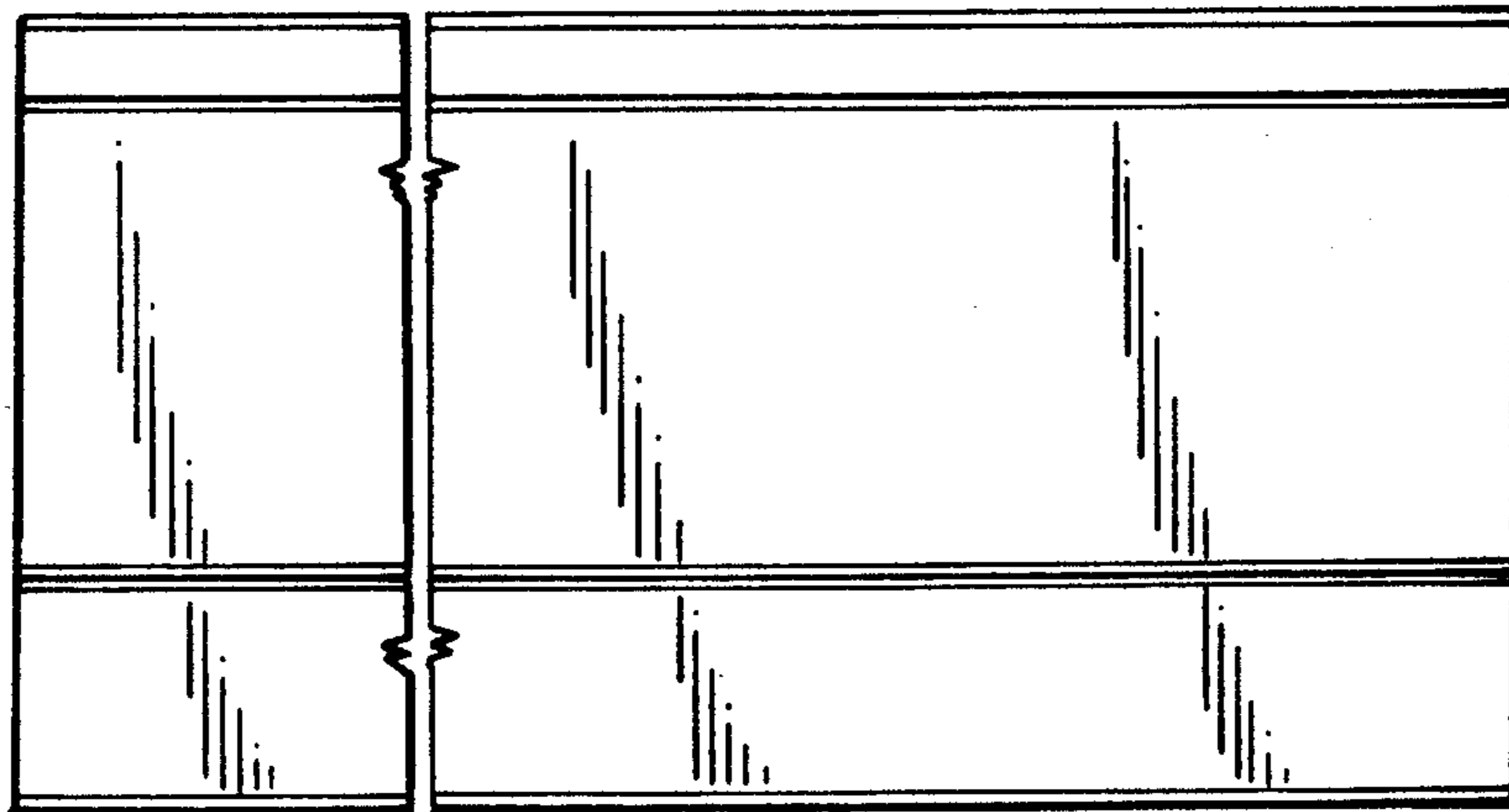


FIG. 7