



US00D331289S

# United States Patent [19]

[11] Patent Number: **Des. 331,289**

Davis

[45] Date of Patent: **\*\* Nov. 24, 1992**

[54] LADDER ATTACHED PAINT CAN SUPPORT

[76] Inventor: **Thomas W. Davis**, 6 Terrace St., Box 4, Washington, N.J. 07882

[\*\*] Term: **14 Years**

[21] Appl. No.: **600,108**

[22] Filed: **Oct. 19, 1990**

[52] U.S. Cl. .... **D25/68**

[58] Field of Search ..... **D6/567, 574; D25/64-65, 68-69; D8/354; 248/210, 238, 225.31, 235, 309.1, 311.2; 182/230**

[56] **References Cited**

**U.S. PATENT DOCUMENTS**

D. 212,471	10/1968	Wood, Sr. ....	D25/64
D. 248,777	8/1978	Spencer et al. ....	D25/68
D. 274,364	6/1984	Brownlee, Jr. ....	D25/68
D. 296,321	6/1988	Hayes ....	D25/68 X
D. 304,084	10/1989	Meng ....	D25/64
3,052,442	9/1962	Rankin, Jr. ....	248/210
3,442,477	5/1969	Garrett et al. ....	248/210

**OTHER PUBLICATIONS.**

Dennison Catalogue (1976) p. D5-Shamrock #82-798.

*Primary Examiner*—Brian N. Vinson  
*Attorney, Agent, or Firm*—Leon Gilden

[57] **CLAIM**

The ornamental design for a ladder attached paint can support, as shown and described.

**DESCRIPTION**

FIG. 1 is a top plan view of a ladder attached paint can support showing my new design; FIG. 2 is a bottom plan view thereof; FIG. 3 is a rear elevational view thereof; FIG. 4 is a front elevational view thereof; FIG. 5 is a right side elevational view thereof; FIG. 6 is a left side elevational view thereof; and, FIG. 7 is a reduced top, front, and left side perspective view thereof, the broken line disclosure of a ladder being for illustrative purposes only and forming no part of the claimed design.

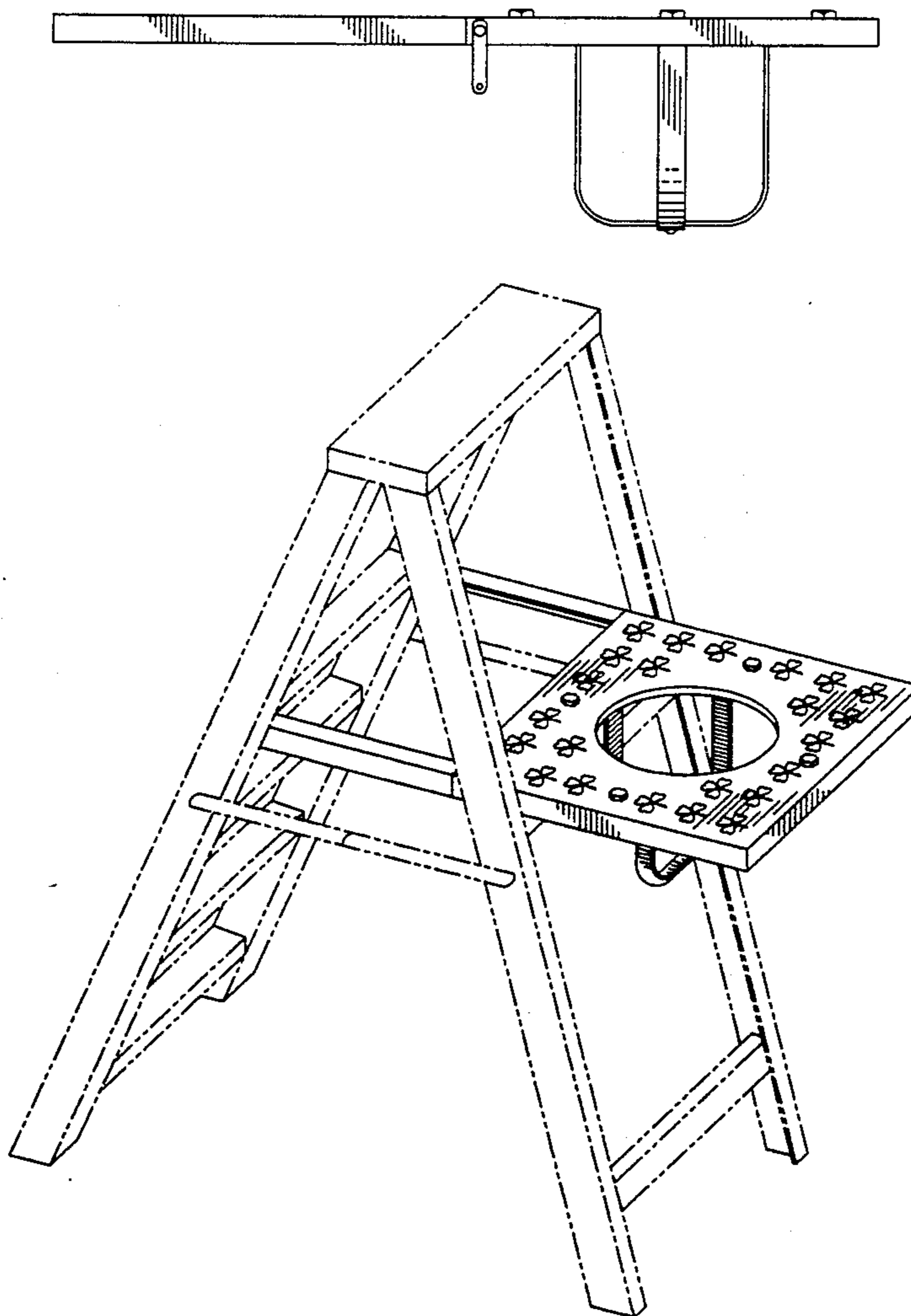


FIG. 1

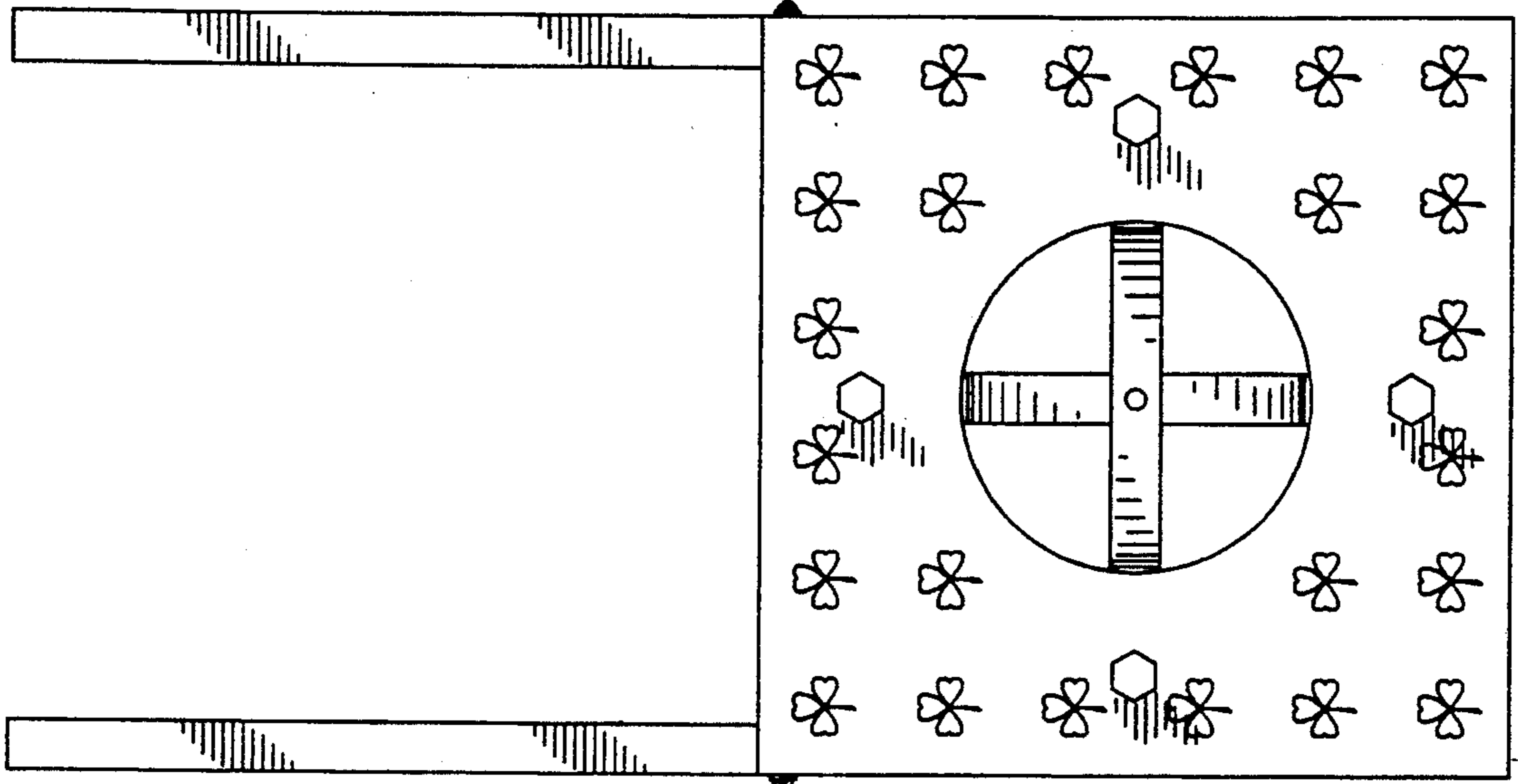
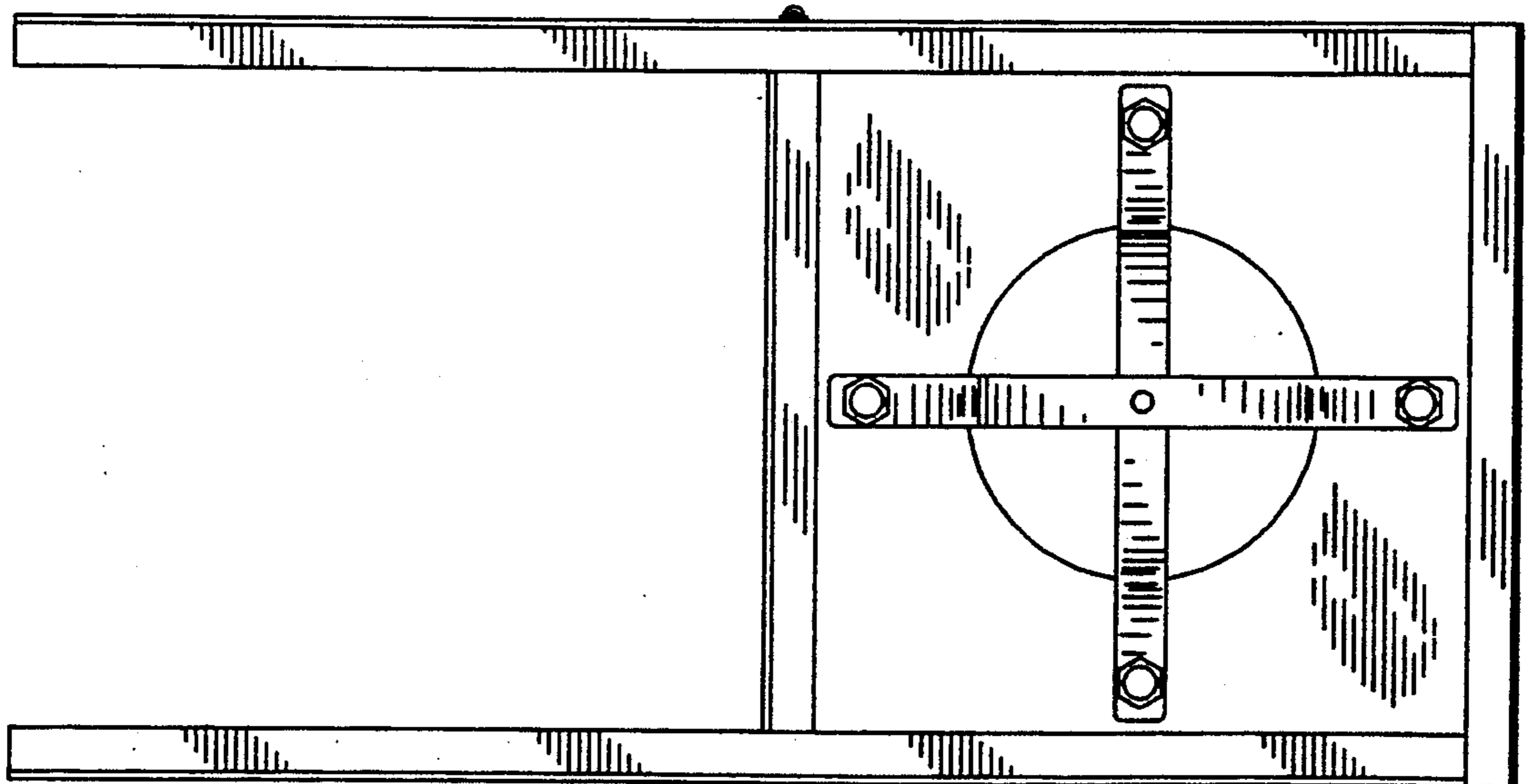
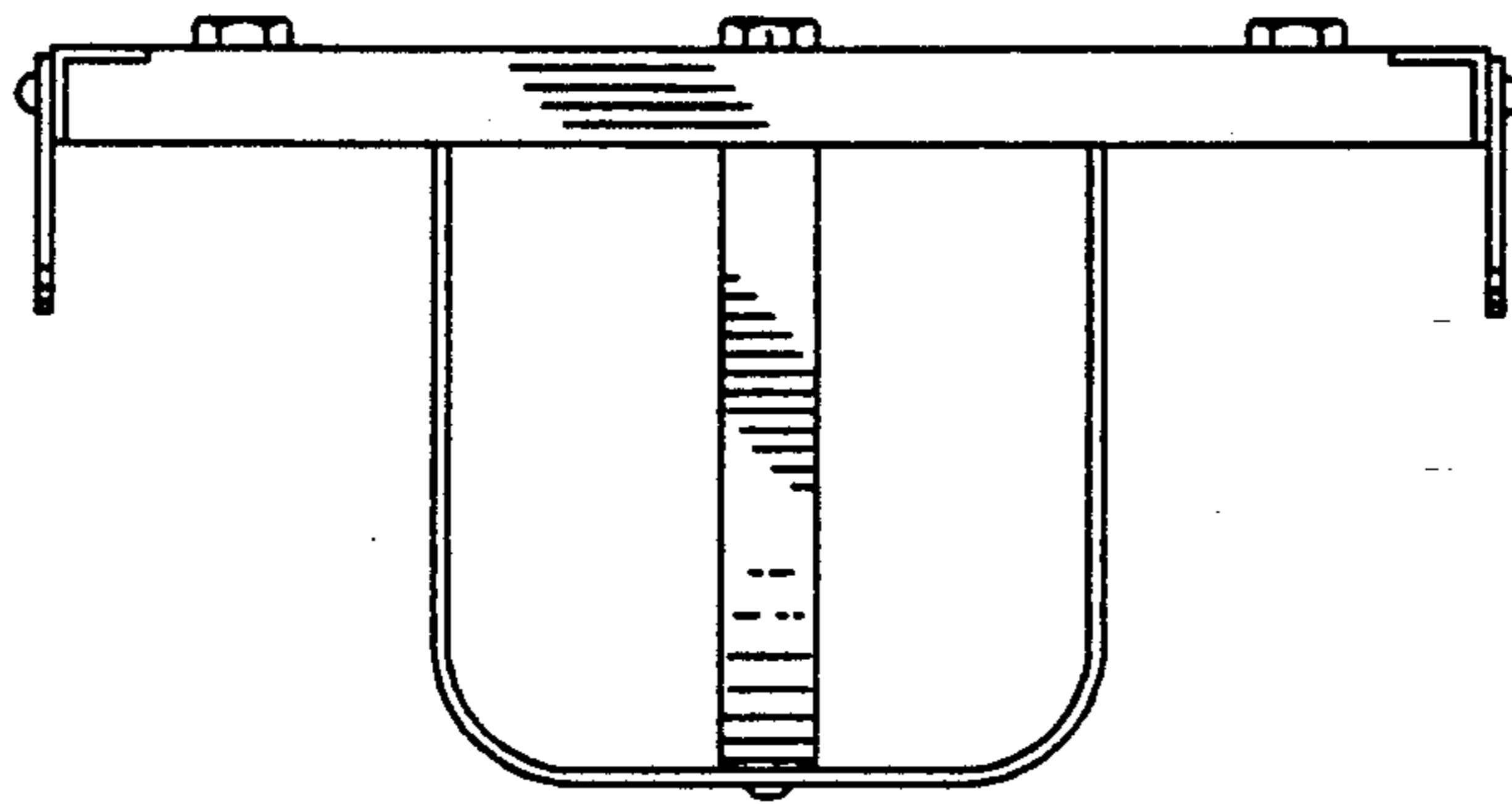


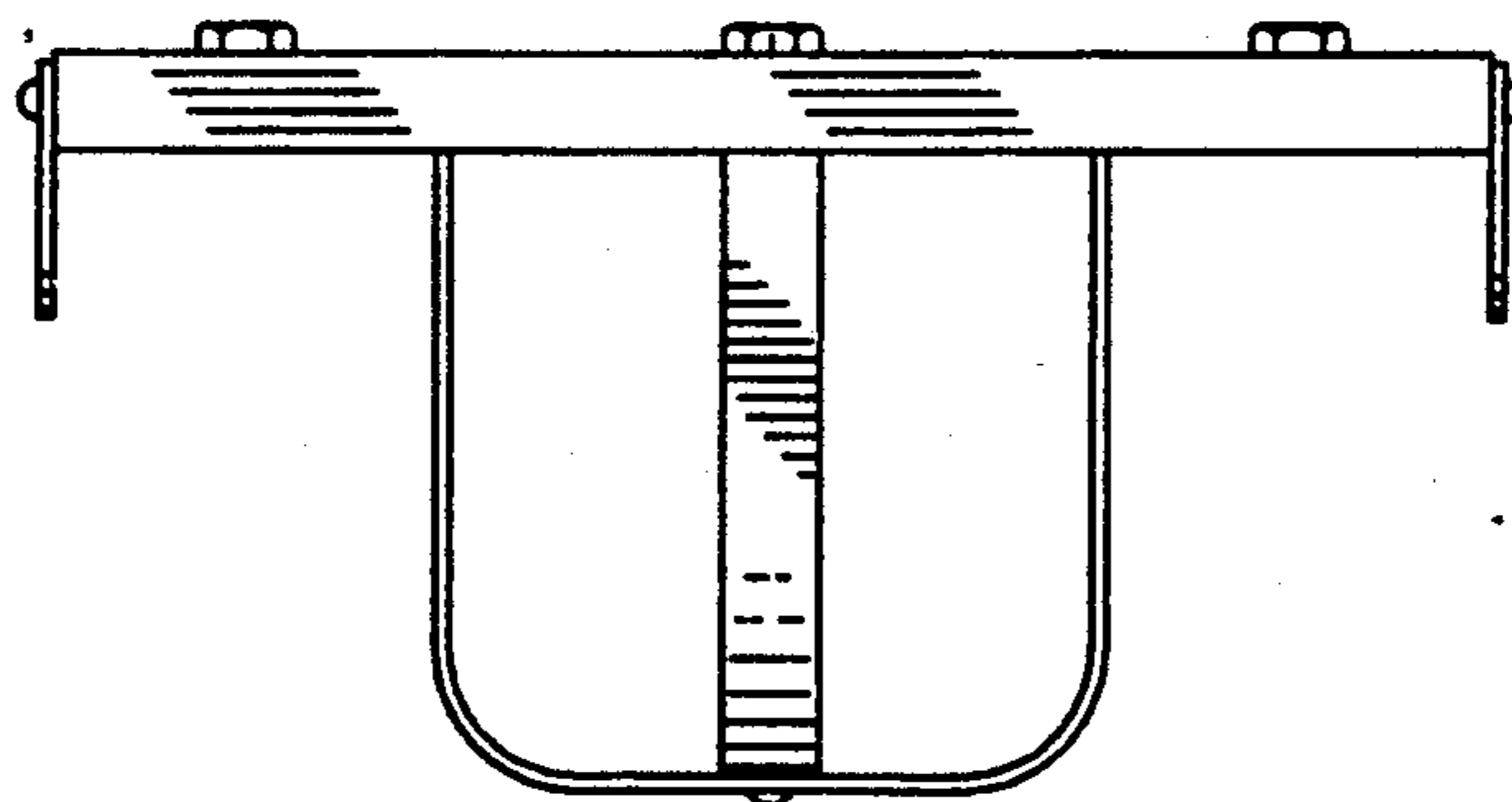
FIG. 2



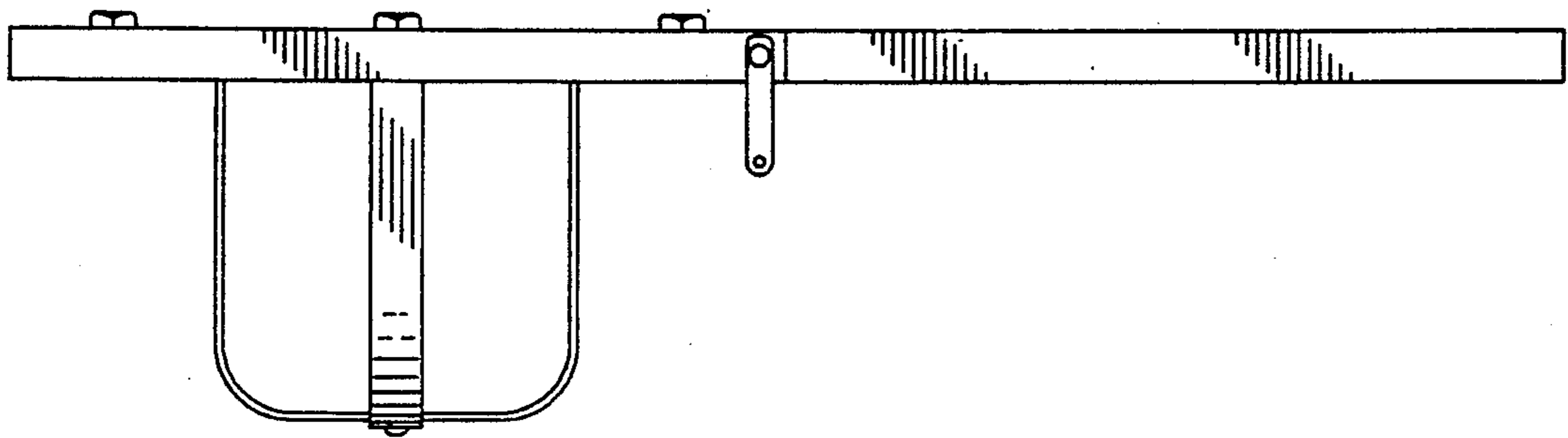
*FIG. 3*



*FIG. 4*



*FIG. 5*



*FIG. 6*

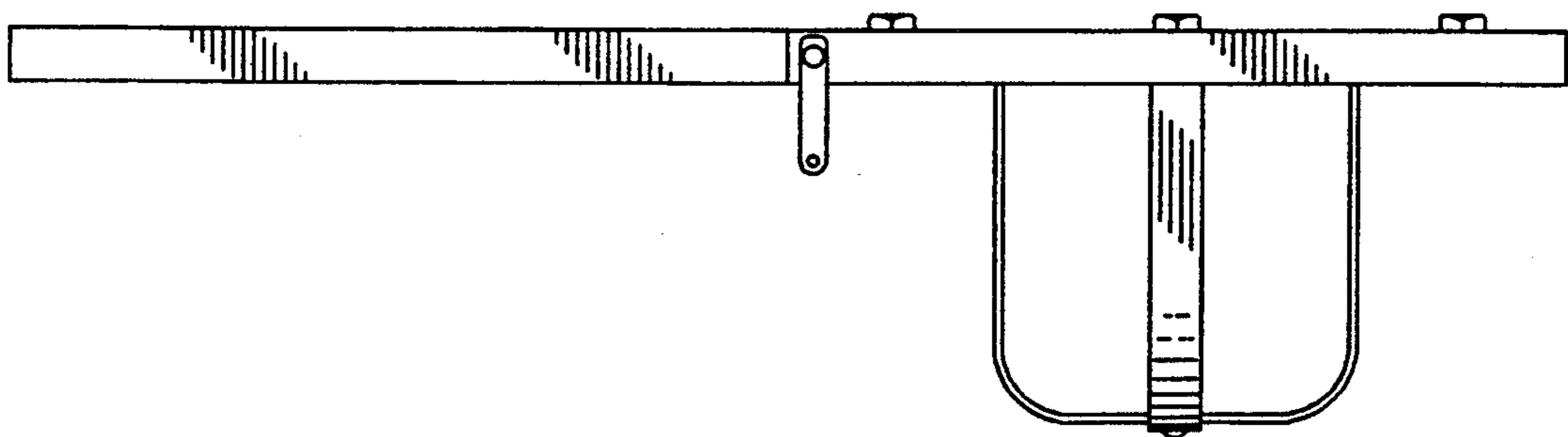


FIG. 7

