



US00D331288S

United States Patent [19]

[11] Patent Number: **Des. 331,288**

Yuen

[45] Date of Patent: **** Nov. 24, 1992**

[54] **INFRA-RED HEAT PAIN RELIEVER**

[75] Inventor: **John S. Yuen, Kowloon, Hong Kong**

[73] Assignee: **John Manufacturing Limited, Kowloon, Hong Kong**

[**] Term: **14 Years**

[21] Appl. No.: **523,211**

[22] Filed: **May 14, 1990**

[30] **Foreign Application Priority Data**

Nov. 29, 1989 [GB] United Kingdom 2002899

[52] U.S. Cl. **D24/214; D24/200**

[58] Field of Search **D24/200, 214, 215; 128/24.2, 24.1, 36, 67, 41**

[56] **References Cited**

U.S. PATENT DOCUMENTS

D. 190,009 3/1961 Minto D24/214

D. 204,921 5/1966 McNair D24/214 X
D. 207,080 2/1967 McNair D24/214 X
D. 235,170 5/1975 McNair D24/214 X
D. 324,914 3/1992 Bucher D24/214 X

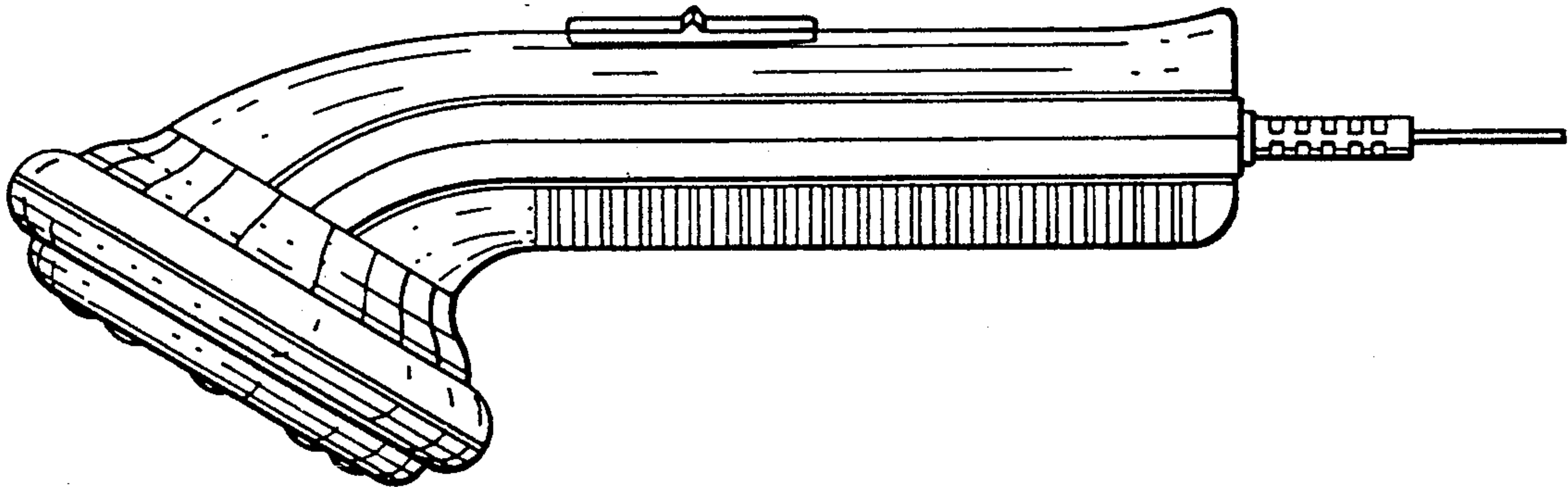
Primary Examiner—Stella Reid
Attorney, Agent, or Firm—Fay, Sharpe, Beall, Fagan, Minnich & McKee

[57] **CLAIM**

The ornamental design for an infra-red heat pain reliever, as shown and described.

DESCRIPTION

FIG. 1 is a top plan view of an infra-red heat pain reliever showing my new design;
FIG. 2 is a right side elevational view thereof the left side being a mirror image;
FIG. 3 is a bottom plan view thereof;
FIG. 4 is a front elevational view thereof; and,
FIG. 5 is a rear elevational view thereof.



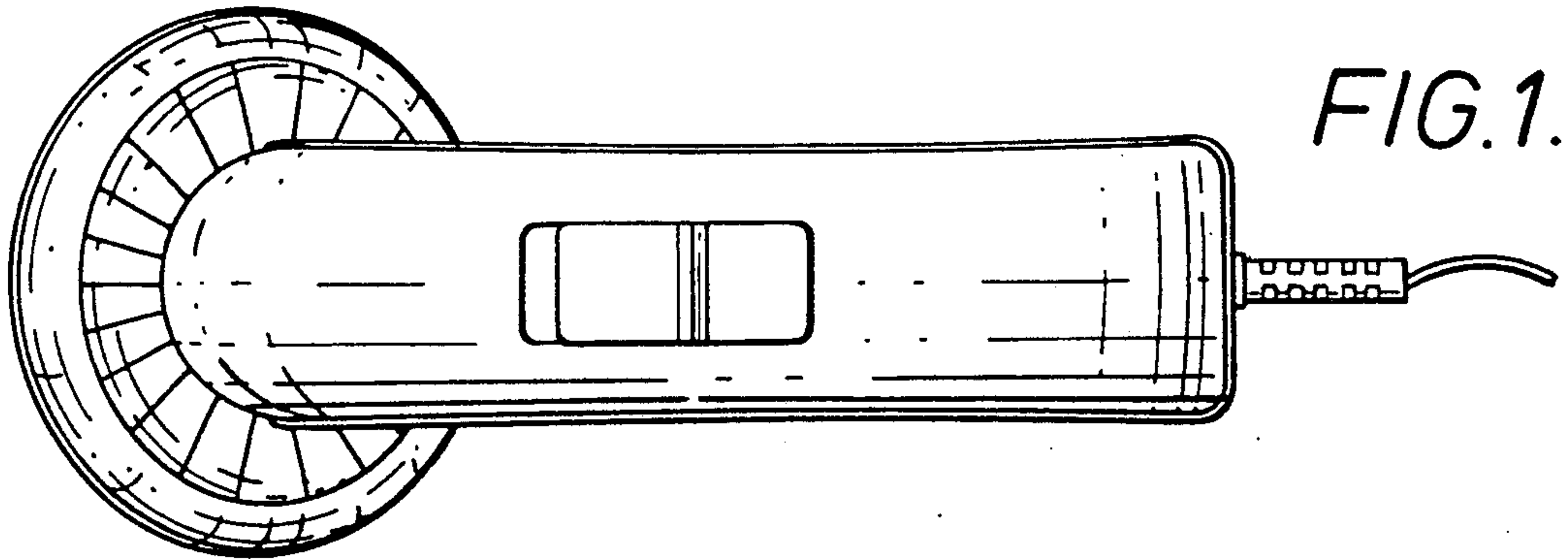


FIG. 1.

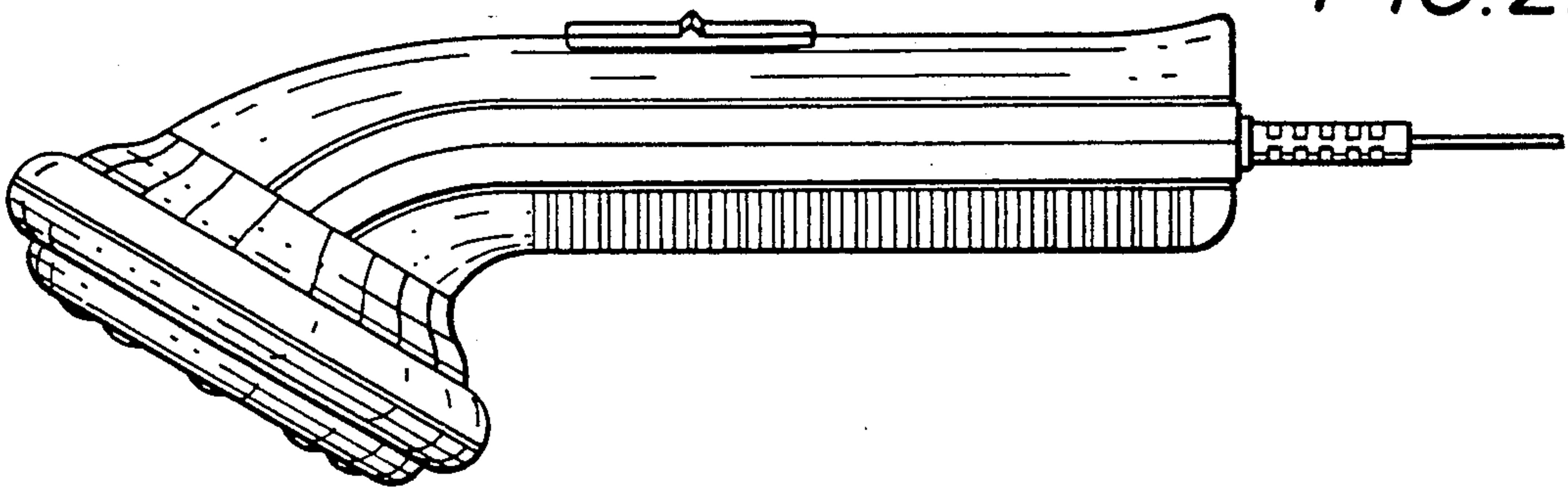


FIG. 2.

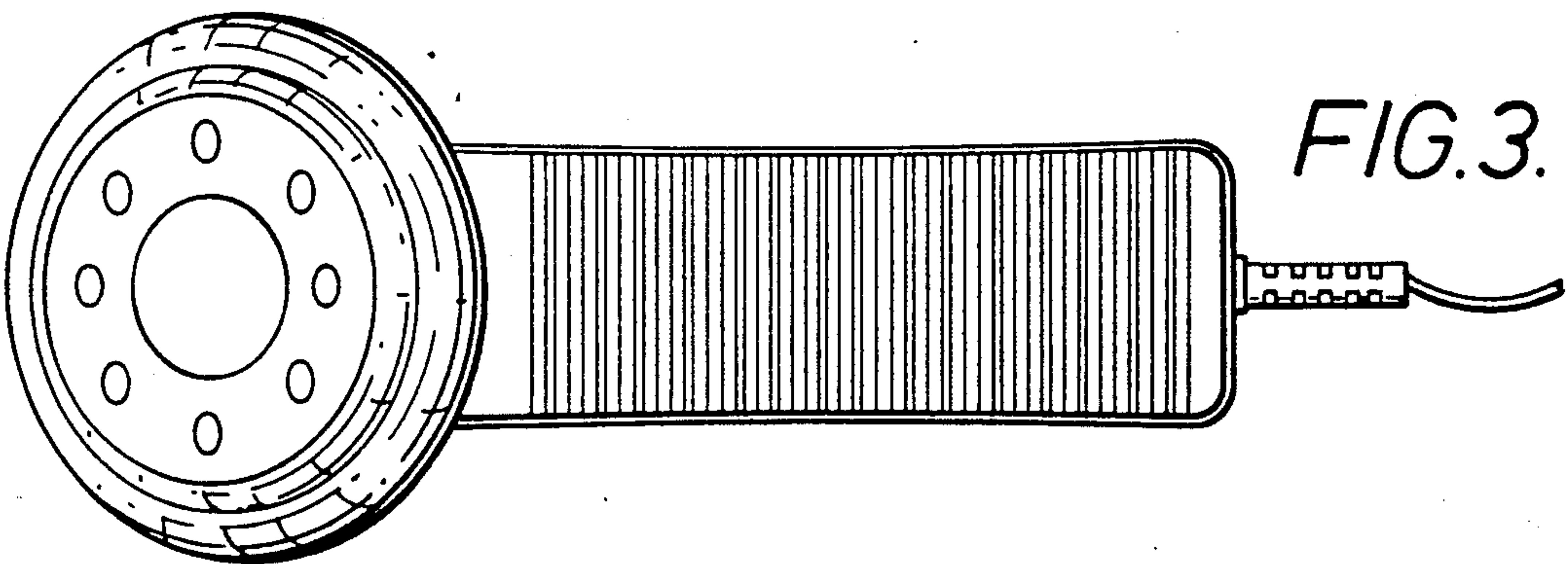


FIG. 3.

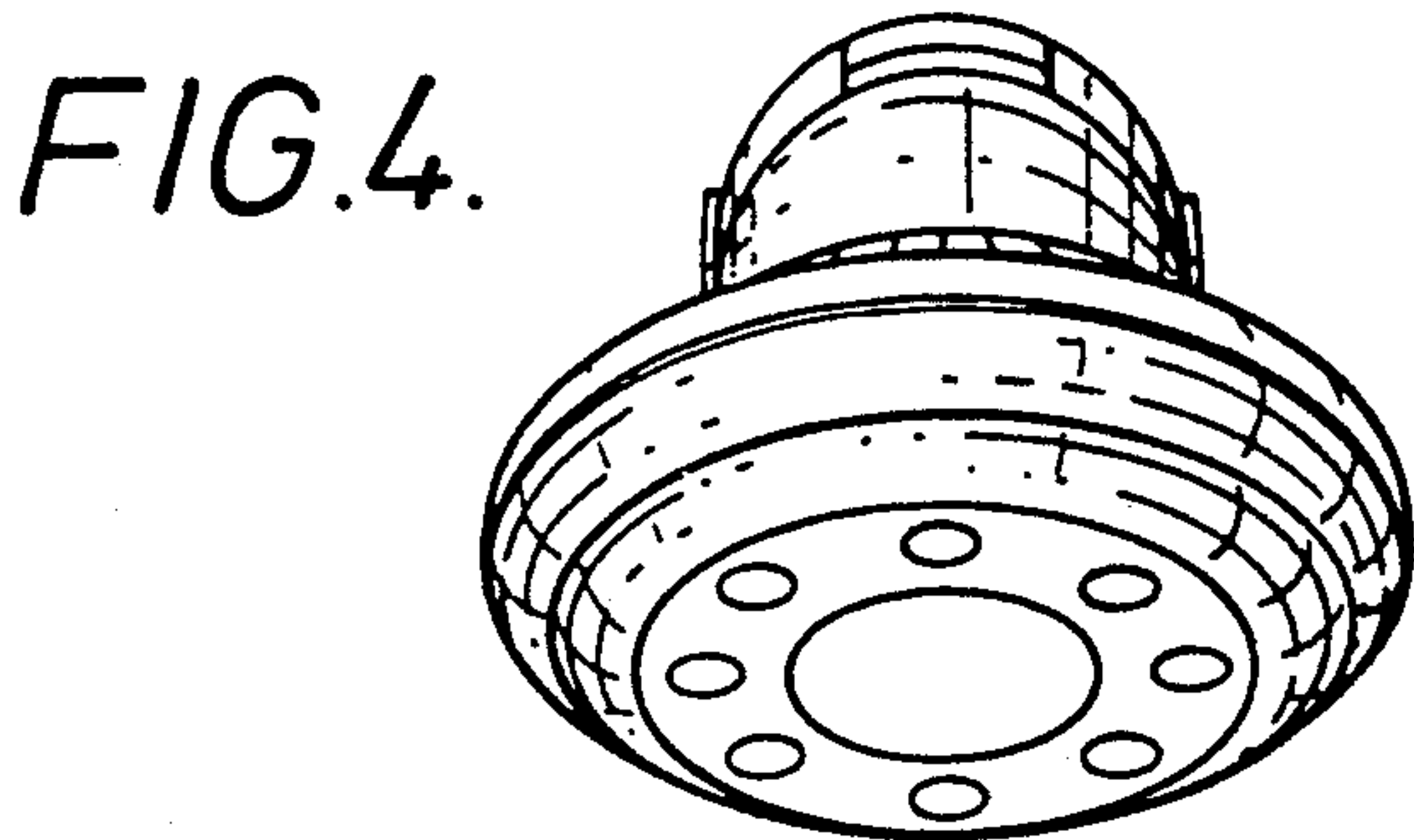


FIG. 4.

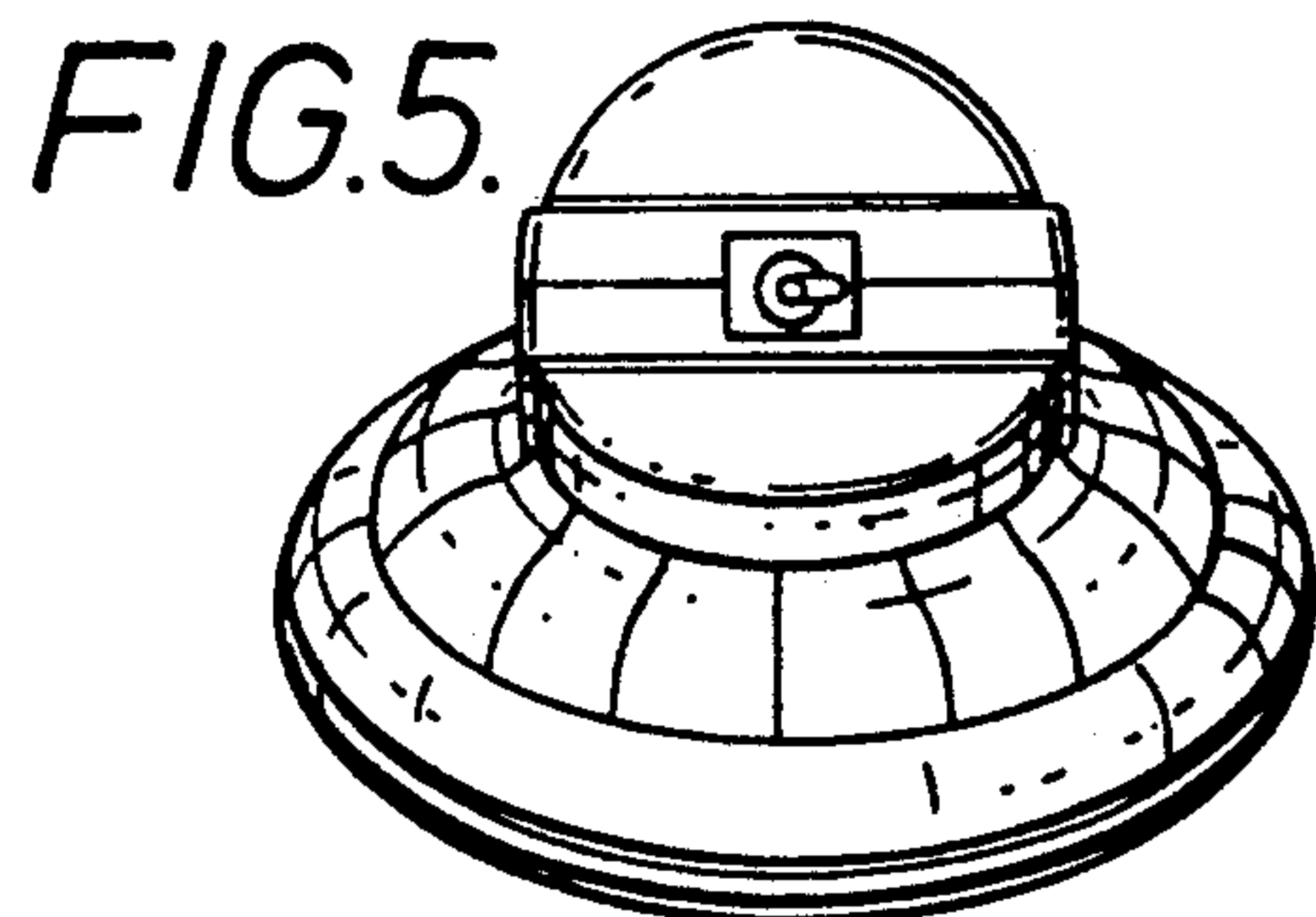


FIG. 5.