



US00D331281S

# United States Patent [19]

[11] Patent Number: **Des. 331,281**

Levine

[45] Date of Patent: **\*\* Nov. 24, 1992**

[54] **NEBULIZER**

[76] Inventor: **Walter Levine, 6948 N. Keating, Lincolnwood, Ill. 60646**

[\*\*] Term: **14 Years**

[21] Appl. No.: **574,911**

[22] Filed: **Aug. 29, 1990**

[52] U.S. Cl. .... **D24/110**

[58] Field of Search ..... **D24/110, 111; 128/200.14, 200.21, 200.23, 911**

[56] **References Cited**

**U.S. PATENT DOCUMENTS**

D. 239,738	4/1976	Giurtino .....	D24/110
3,903,884	9/1975	Huston et al. ....	D24/110 X
4,253,468	3/1981	Lehmbeck .....	128/200.21 X
4,938,210	7/1990	Shene .....	128/203.12

**OTHER PUBLICATIONS**

"Administering NebuPent™ With The Respir-

gard™ II Nebulizer System", Lyphomed, Inc., Publication: NebuPent-008, Jun., 1989.

"Respiratory products Catalog", Inhalation Plastics, Inc. pp. 7-9, Form No. SCS11826832565M, 1983.

*Primary Examiner*—Louis S. Zarfes  
*Attorney, Agent, or Firm*—Welsh & Katz, Ltd.

[57] **CLAIM**

The ornamental design for a nebulizer, as shown and described.

**DESCRIPTION**

FIG. 1 is a top perspective view of a nebulizer showing my new design;  
 FIG. 2 is a front elevational view of the nebulizer of FIG. 1;  
 FIG. 3 is a rear elevational view of the nebulizer of FIG. 1;  
 FIG. 4 is an top plan view thereof;  
 FIG. 5 is a bottom plan view thereof;  
 FIG. 6 is a right side elevational view of the nebulizer as shown in FIG. 4; and,  
 FIG. 7 is a left side elevational view of the nebulizer as shown in FIG. 5.

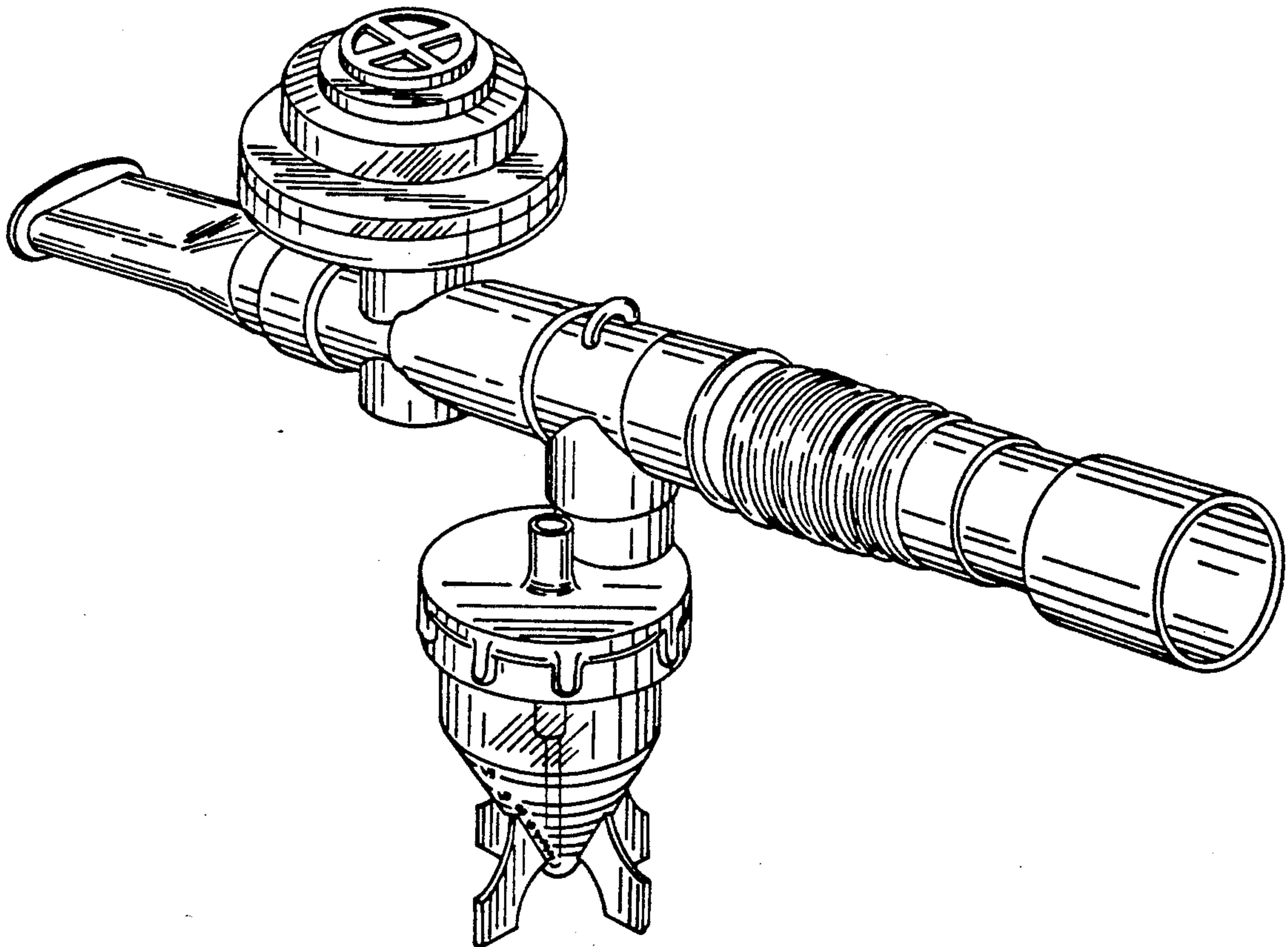


FIG. 1

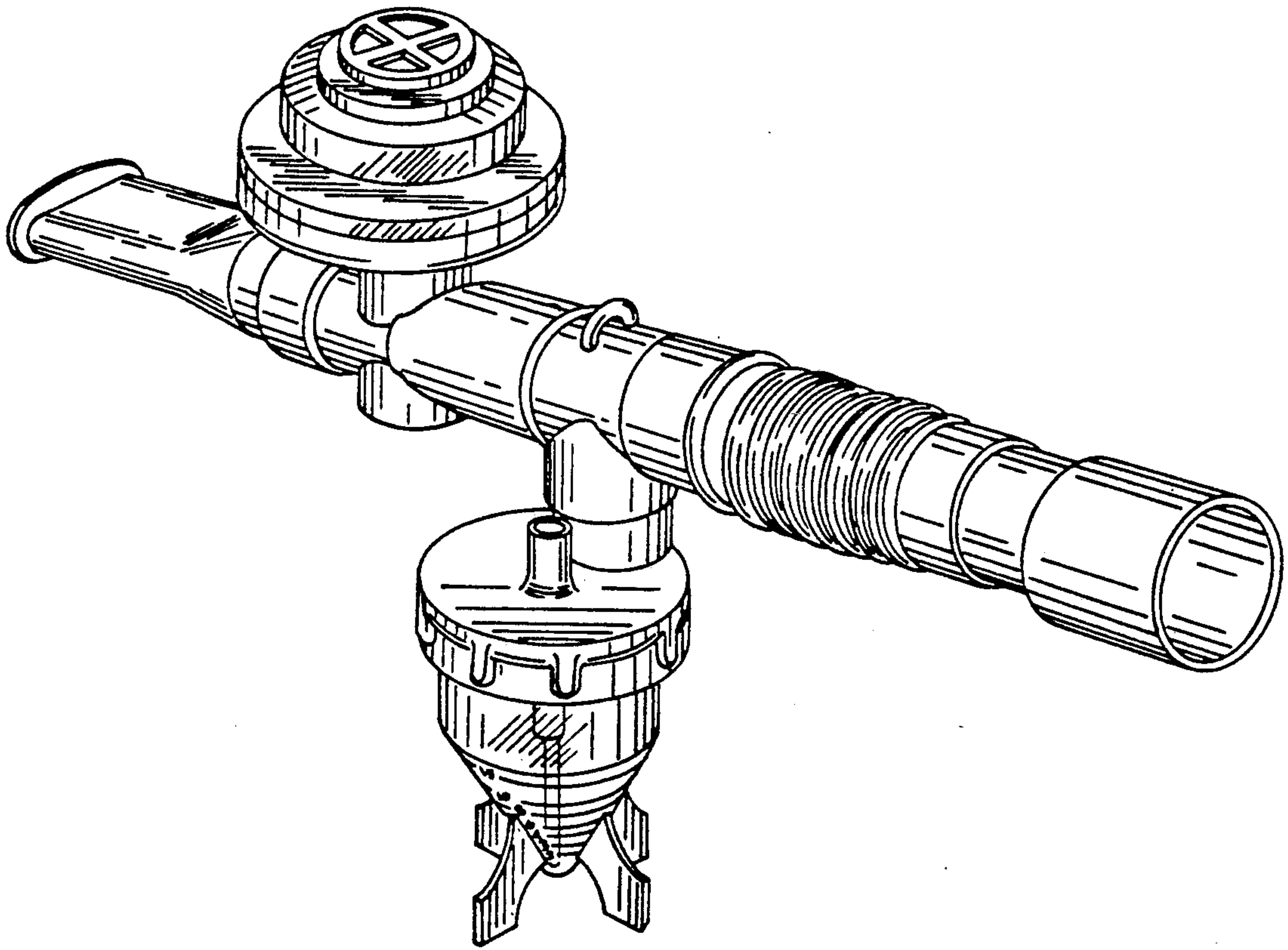


FIG. 2

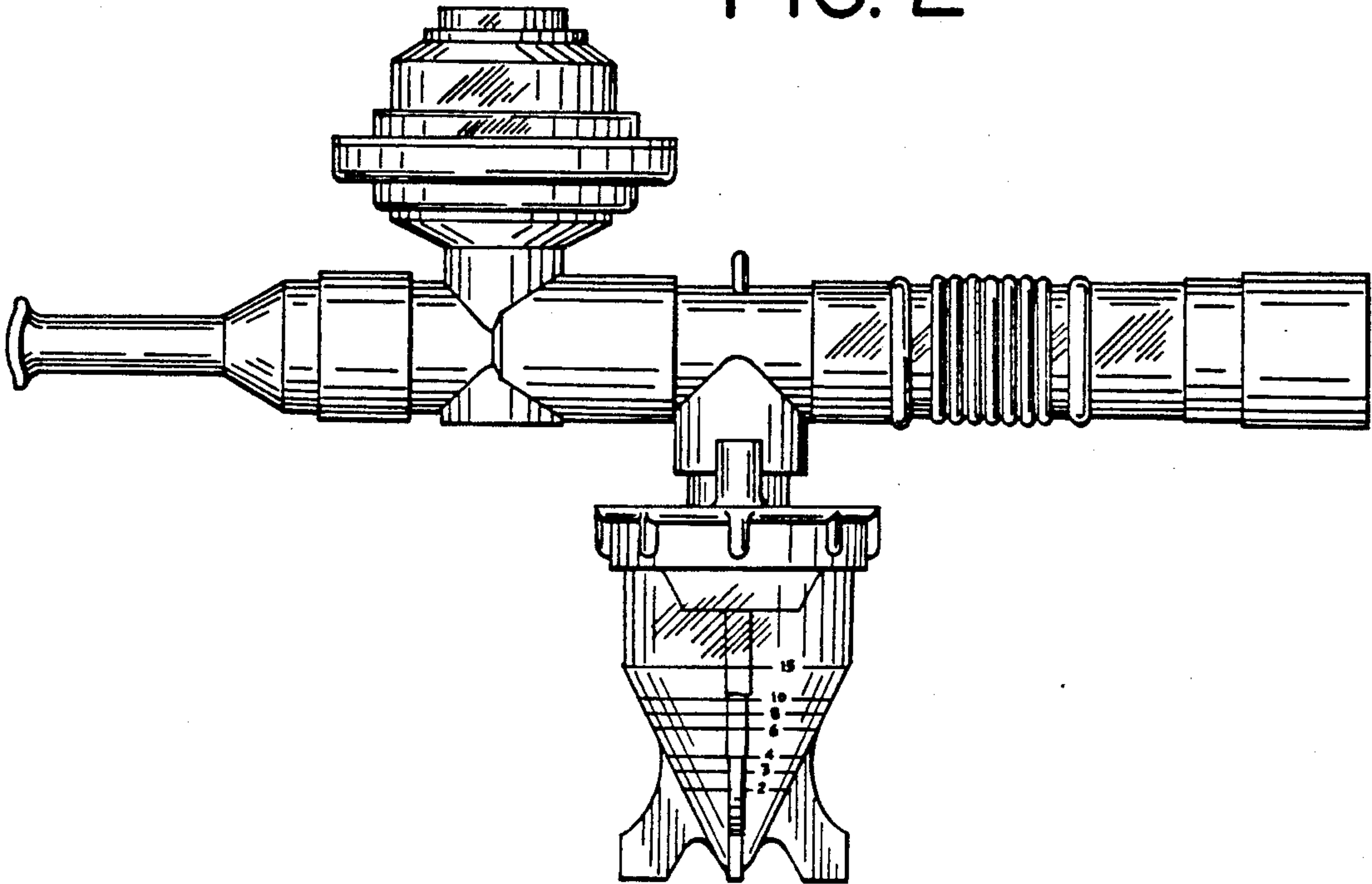


FIG. 3

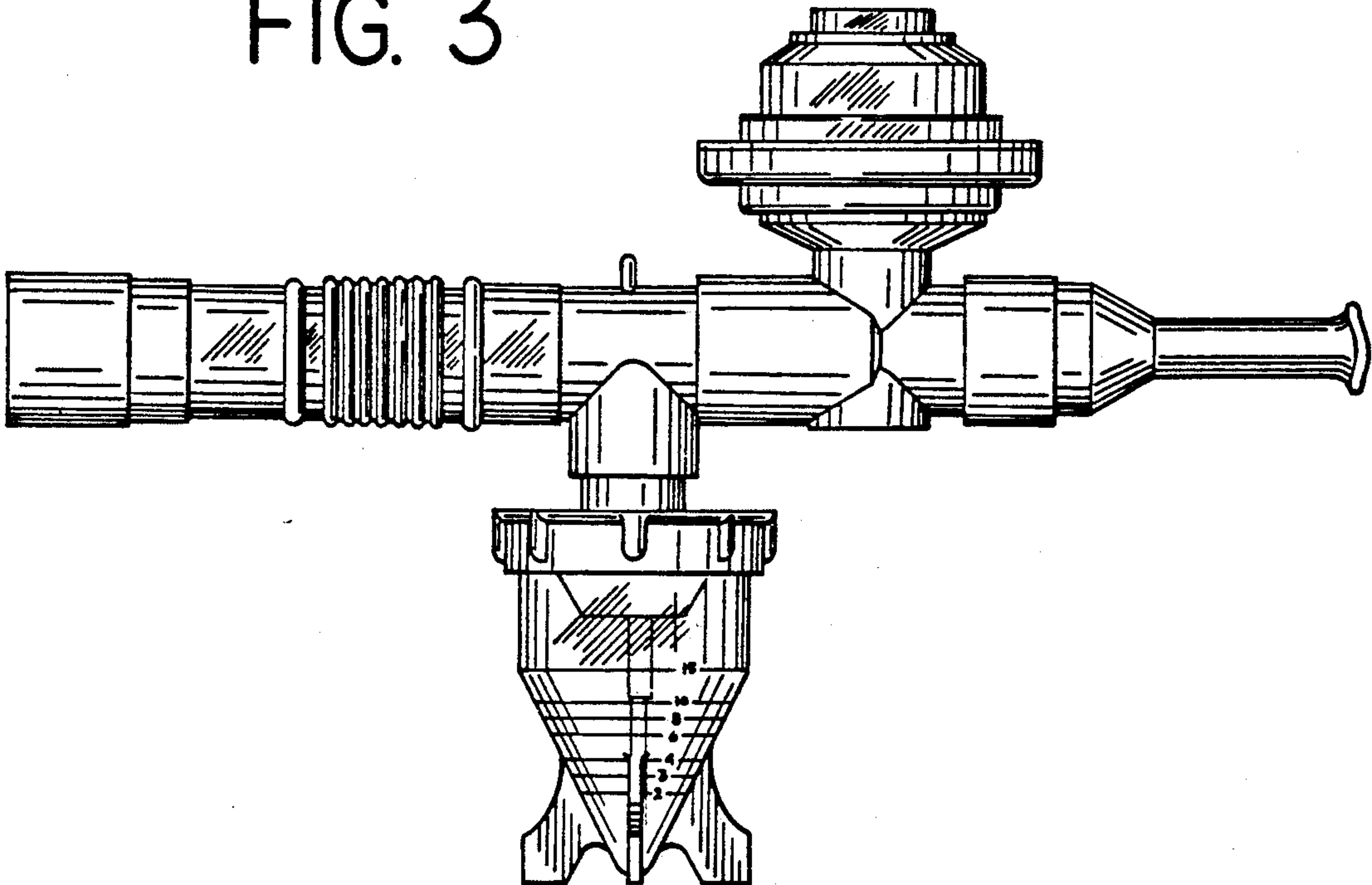




FIG. 4

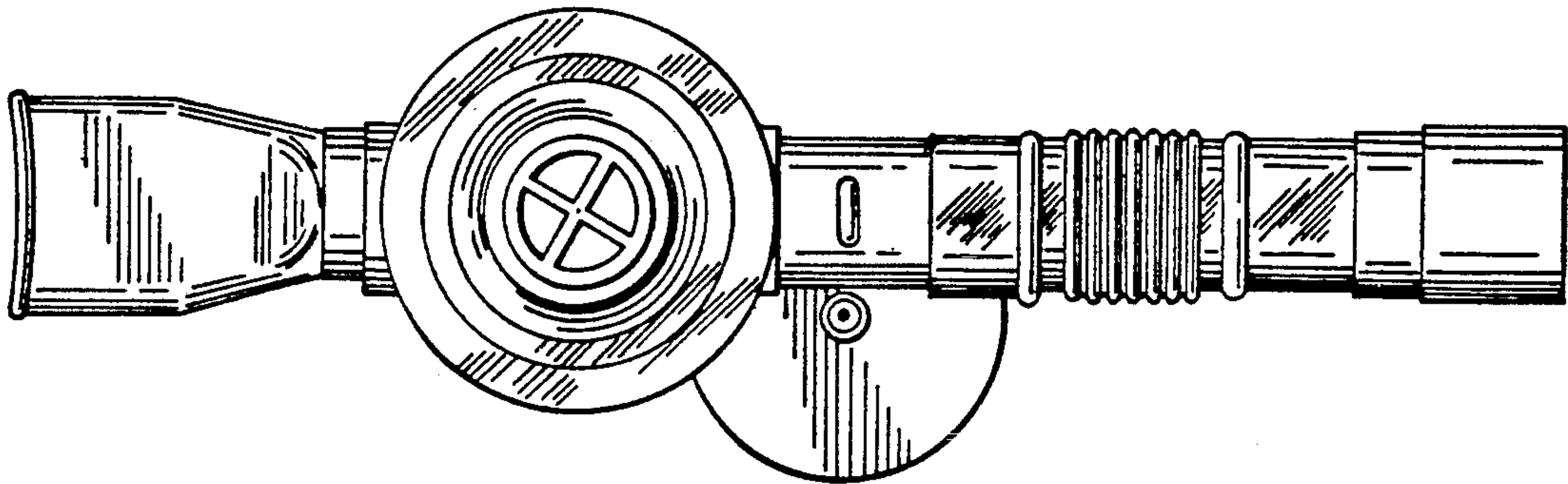


FIG. 5

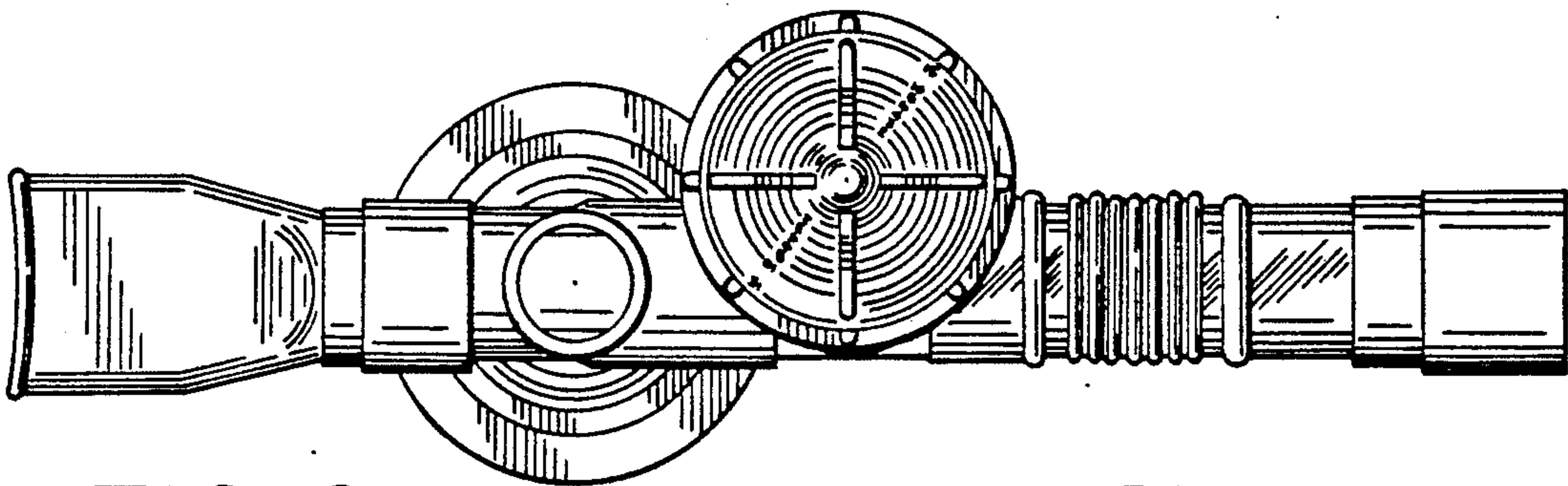


FIG. 6

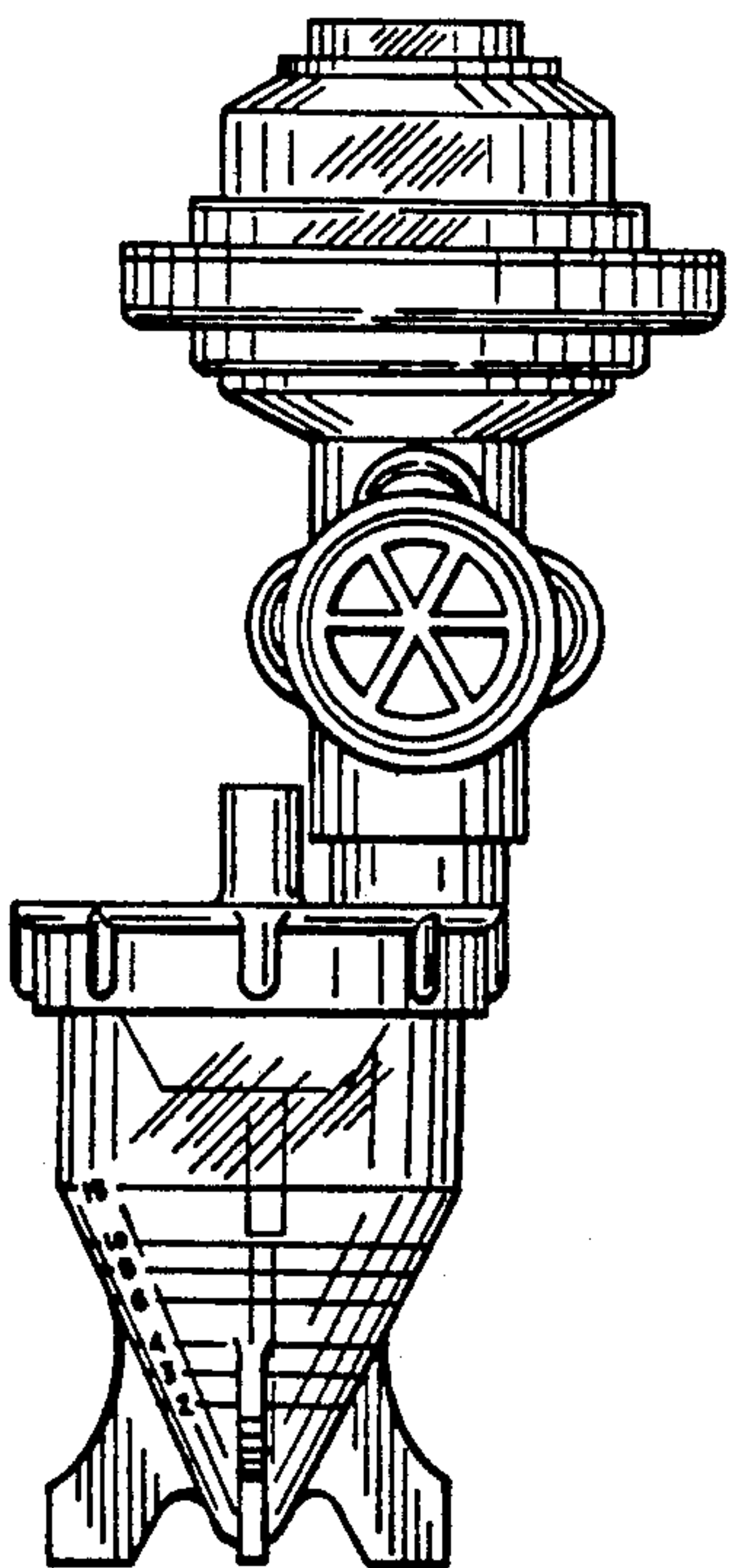


FIG. 7

