



US00D331277S

United States Patent [19] Murphy

[11] Patent Number: **Des. 331,277**
[45] Date of Patent: **** Nov. 24, 1992**

[54] **Y-TYPE CONNECTOR FOR DUAL SHOWER HEADS**

[76] Inventor: **George E. Murphy**, 124 Woodsmoke Way, Folsom, Calif. 95603

[**] Term: **14 Years**

[21] Appl. No.: **530,073**

[22] Filed: **May 25, 1990**

[52] U.S. Cl. **D23/263**

[58] Field of Search **D23/213, 228, 229, 230, D23/259-269, 283, 303-307; 4/567, 568, 570, 601, 615; 239/551, 565; 285/155**

[56] **References Cited**

U.S. PATENT DOCUMENTS

- D. 44,380 7/1913 Michak D23/263
- D. 217,548 5/1970 Niemann .
- D. 238,397 1/1976 Peterson, Jr. D23/213 X
- D. 240,534 7/1976 Halstead .
- D. 249,276 9/1978 Levin D23/263
- D. 274,352 6/1984 Haug .
- D. 274,457 6/1984 Haug .
- D. 289,677 5/1987 Hodge et al. D23/263
- D. 294,286 2/1988 Fabian .
- D. 299,850 2/1989 Feher et al. .
- D. 316,891 5/1991 Lee D23/213
- D. 326,310 5/1992 Francoeur D23/213
- 120,555 10/1871 Venn .
- 1,054,922 4/1913 Kenney .
- 1,065,265 6/1913 Nordmark .
- 1,112,261 9/1914 Carter .
- 1,203,874 11/1916 Hilfiker .
- 1,207,380 12/1916 Duffy .
- 1,220,704 3/1917 Swimmer .
- 1,525,237 2/1925 Hilfiker .

- 1,544,706 7/1925 Wallen 4/615
- 1,616,514 2/1927 Swimmer .
- 1,893,435 1/1933 Neal .
- 3,822,826 7/1974 Wilson 4/601 X
- 3,971,074 7/1976 Yxfeldt 4/145
- 4,282,612 8/1981 King 4/601
- 4,865,254 9/1989 Kragle 285/155 X
- 4,901,927 2/1990 Valdivia 4/615 X

FOREIGN PATENT DOCUMENTS

- 56647 7/1982 Fed. Rep. of Germany .
- 59366 5/1954 France .

Primary Examiner—James R. Largen
Attorney, Agent, or Firm—John P. O'Banion

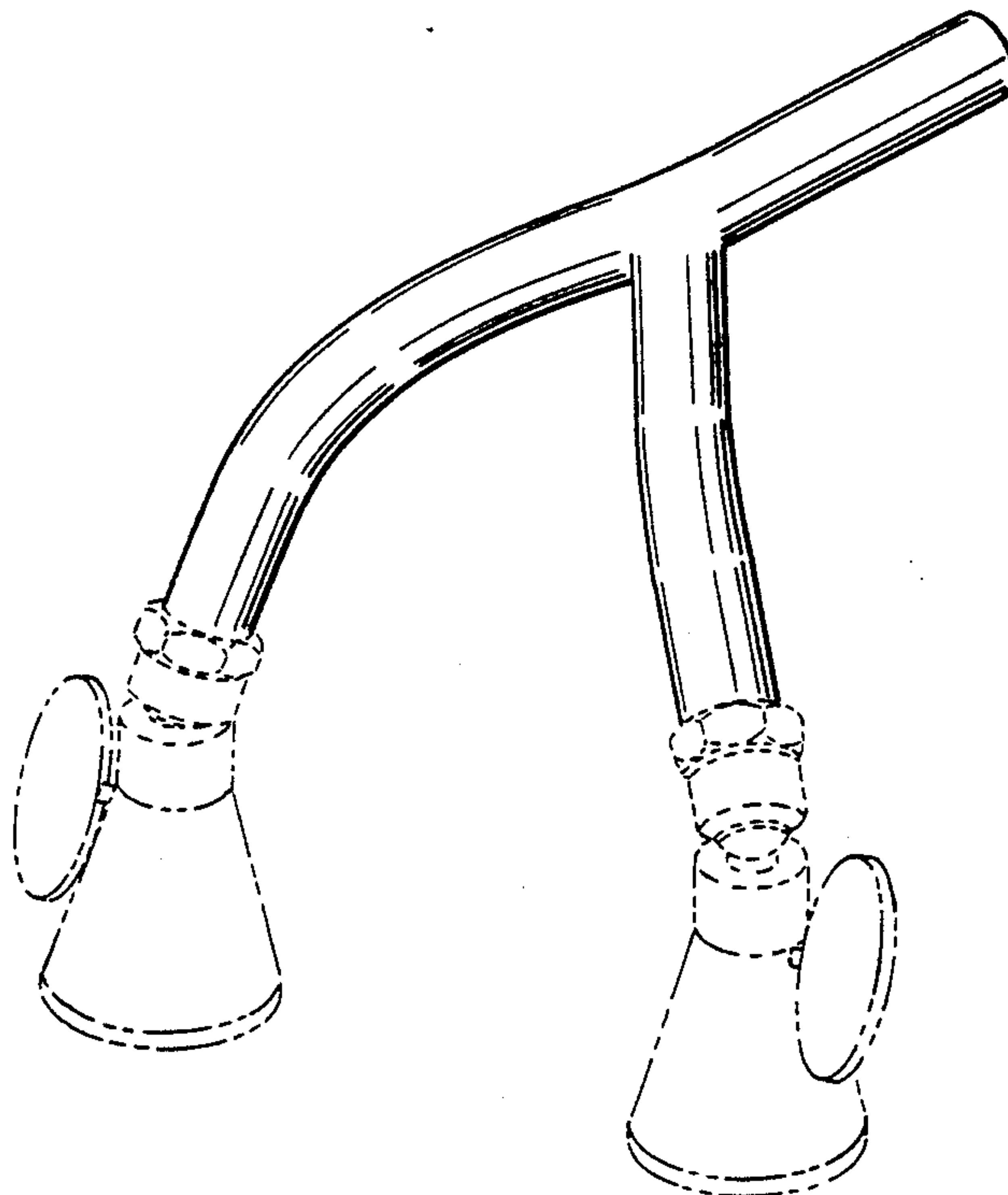
[57] **CLAIM**

The ornamental design for a Y-type connector for dual shower heads, as shown and described.

DESCRIPTION

FIG. 1 is a top front perspective of a Y-type connector for dual shower heads showing my new design; FIG. 2 is a front elevational view; FIG. 3 is a right side elevational view thereof, the left side being a mirror image of the right side; FIG. 4 is a rear elevational view; FIG. 5 is a top plan view; FIG. 6 is a bottom plan view; FIG. 7 is a top front perspective view of a second embodiment thereof; and, FIG. 8 is a top front perspective view of a third embodiment thereof.

The broken line representation of shower heads in FIG. 1 is for purposes of illustration only and forms no part of the claimed design.



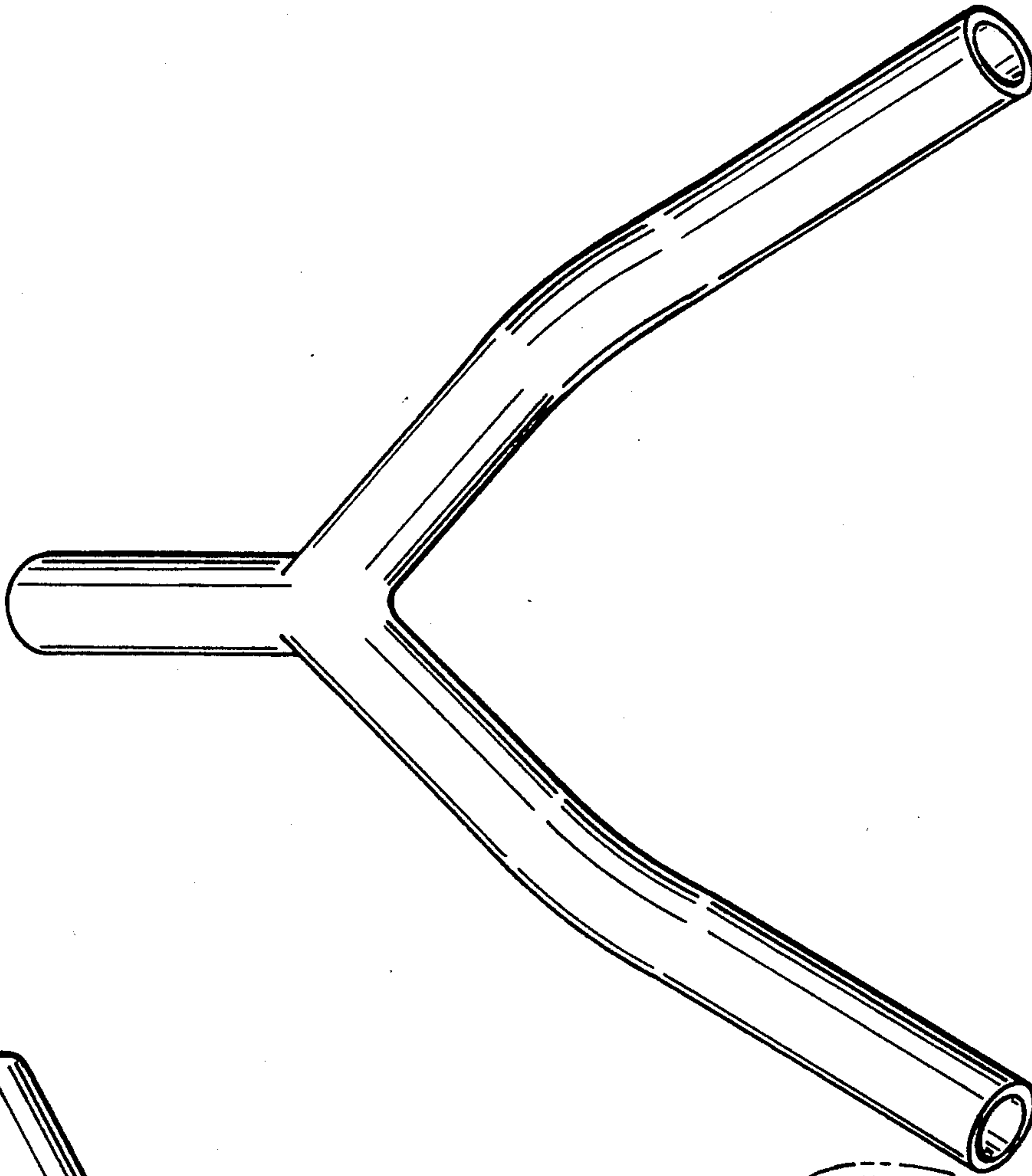


FIG.-2

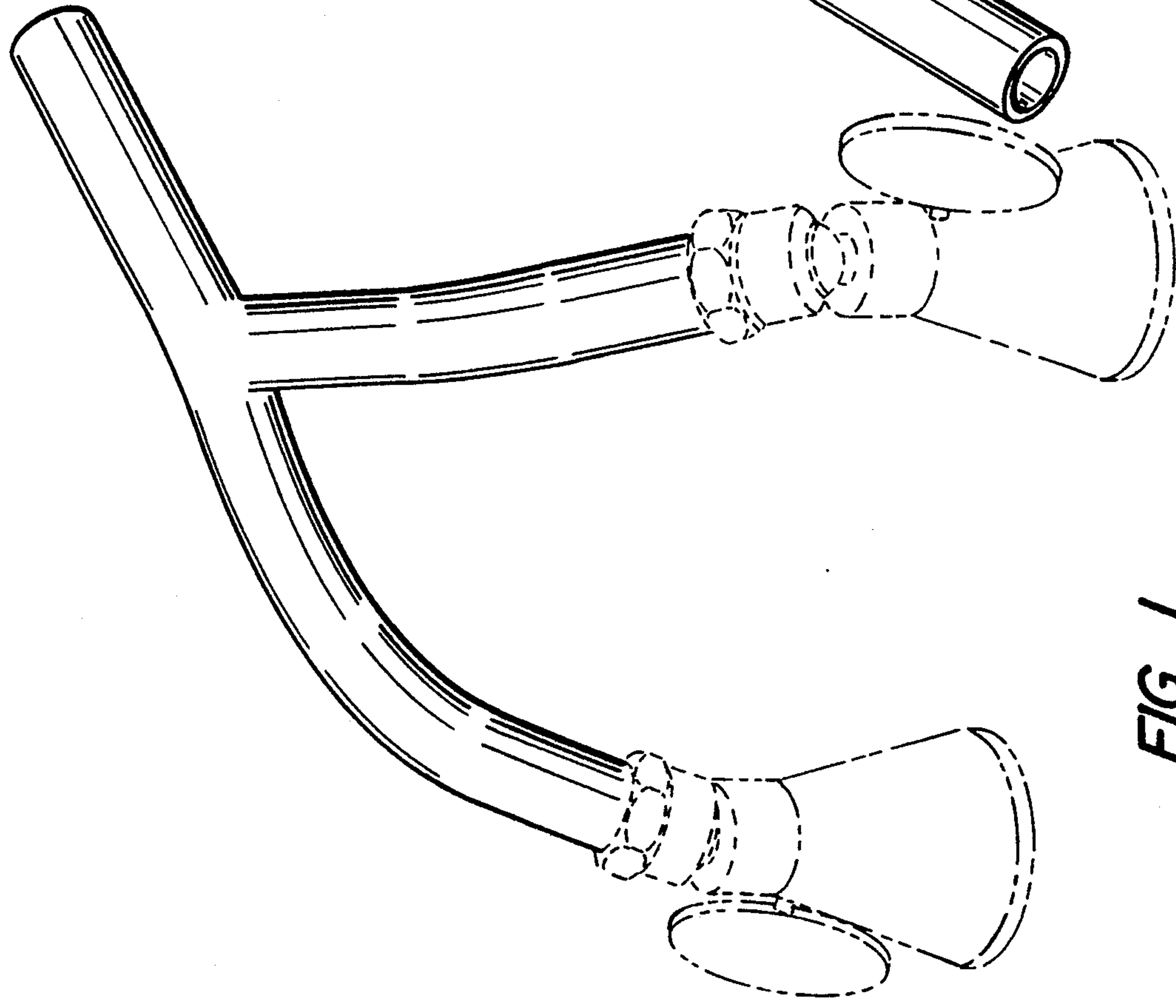


FIG.-1

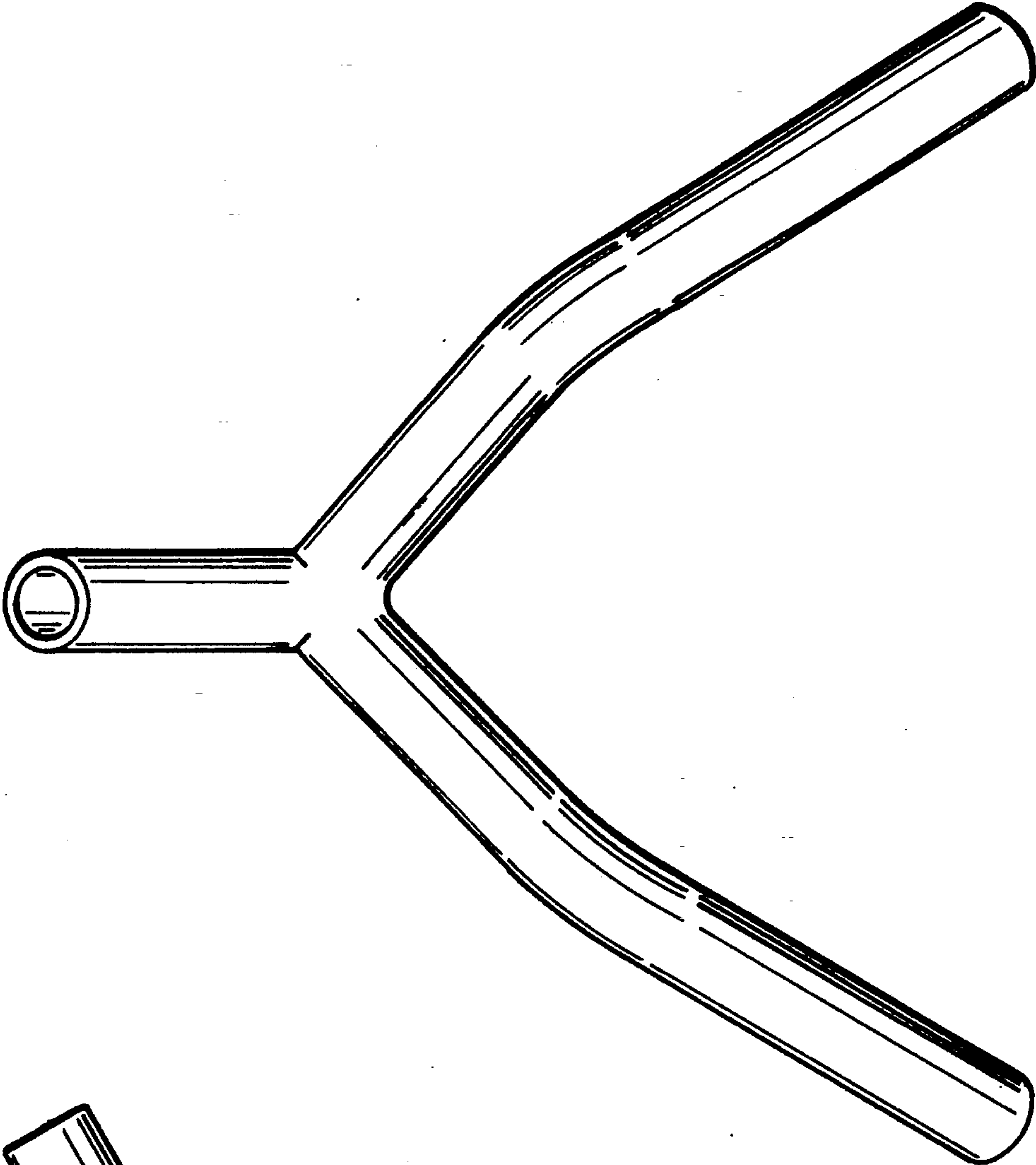


FIG. 4

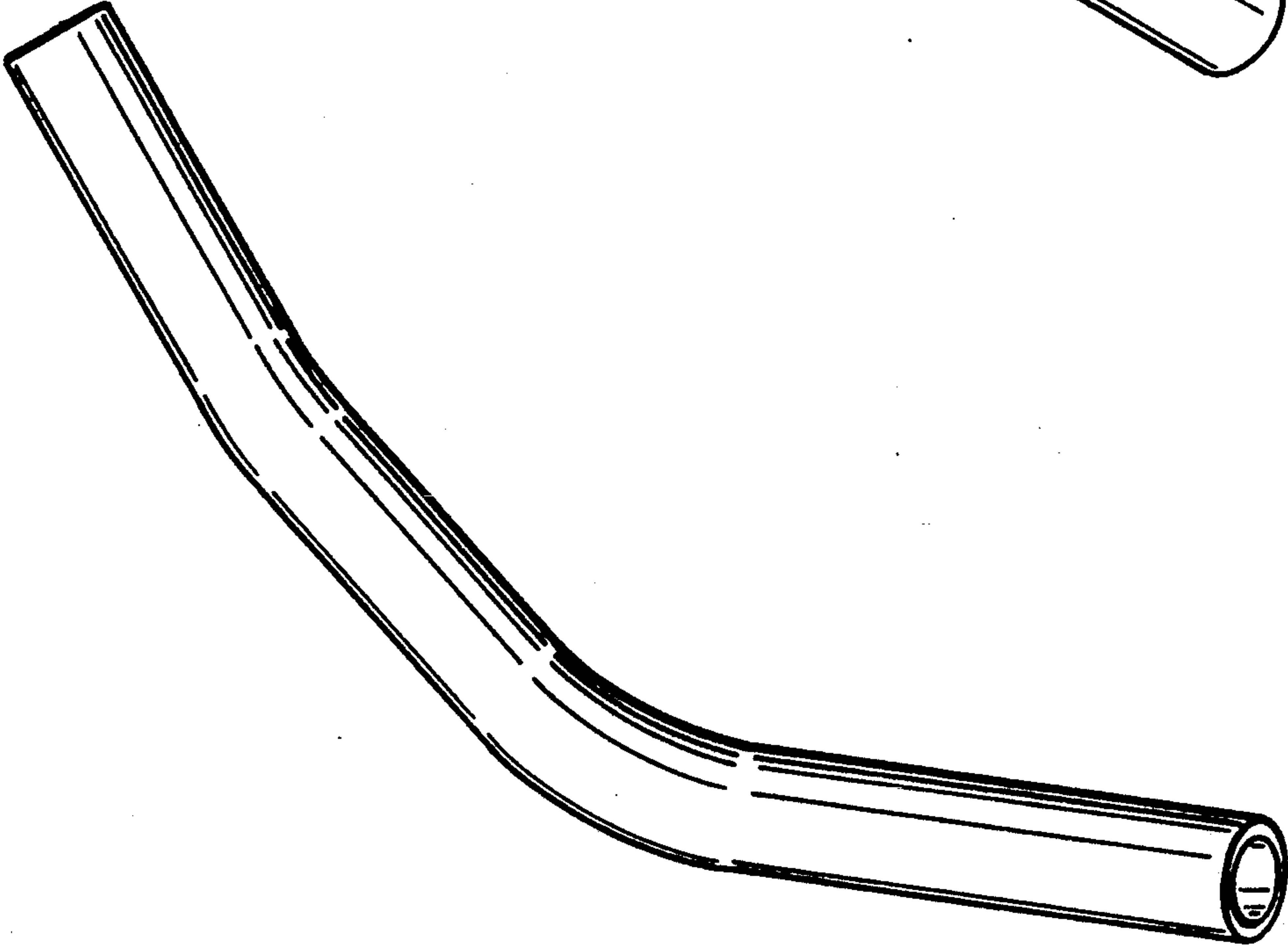


FIG. 3

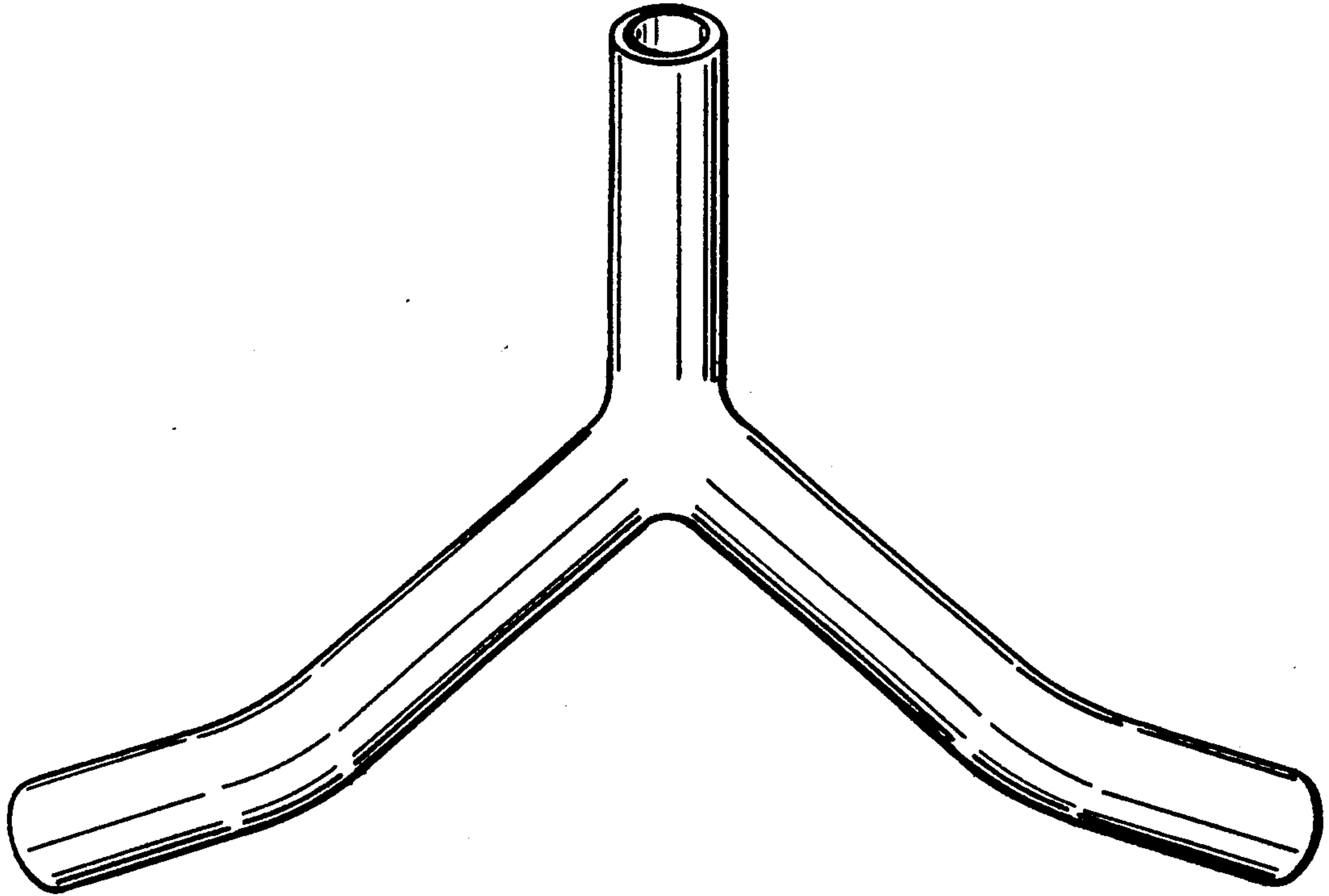


FIG. 5

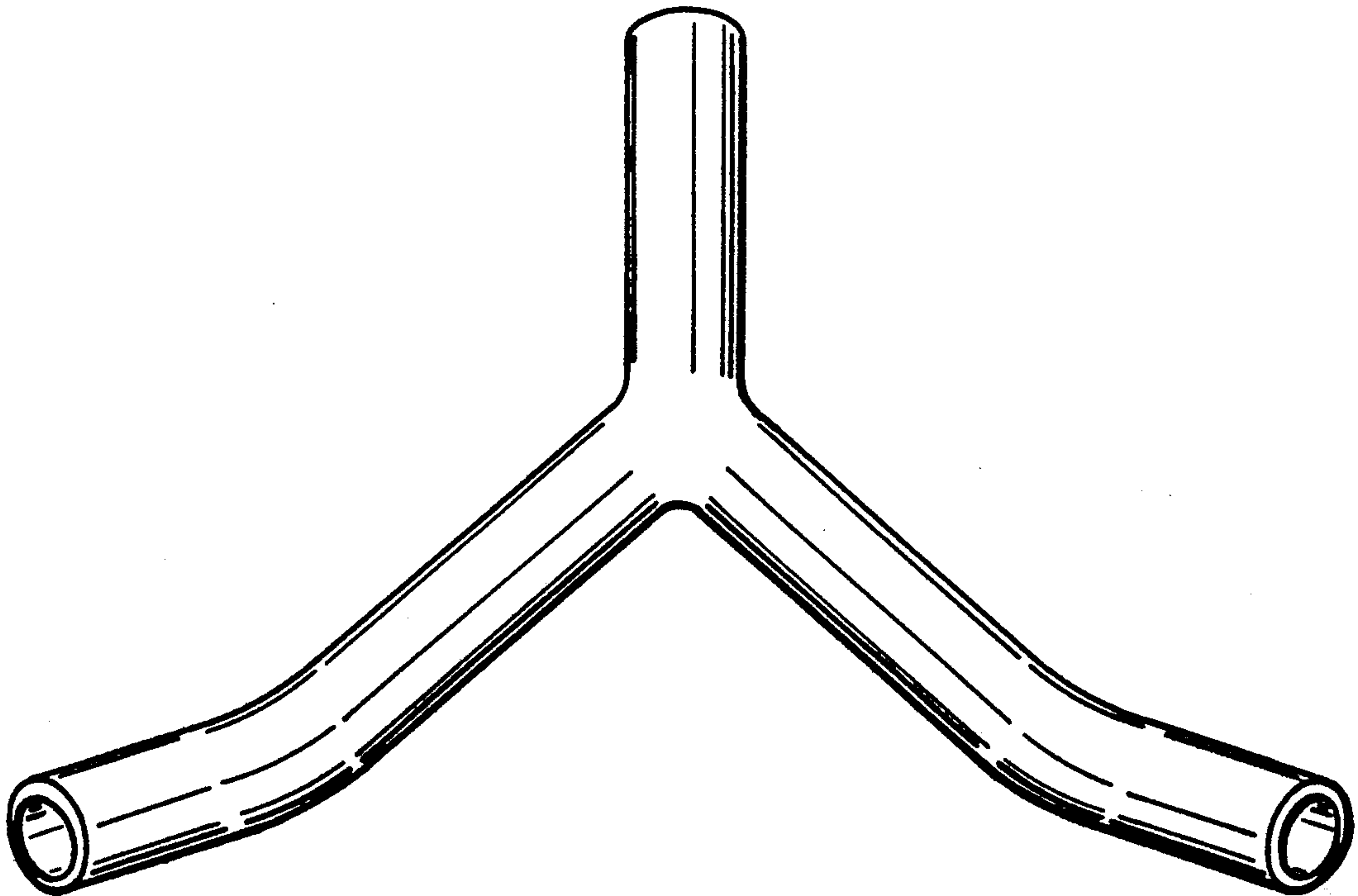


FIG. 6

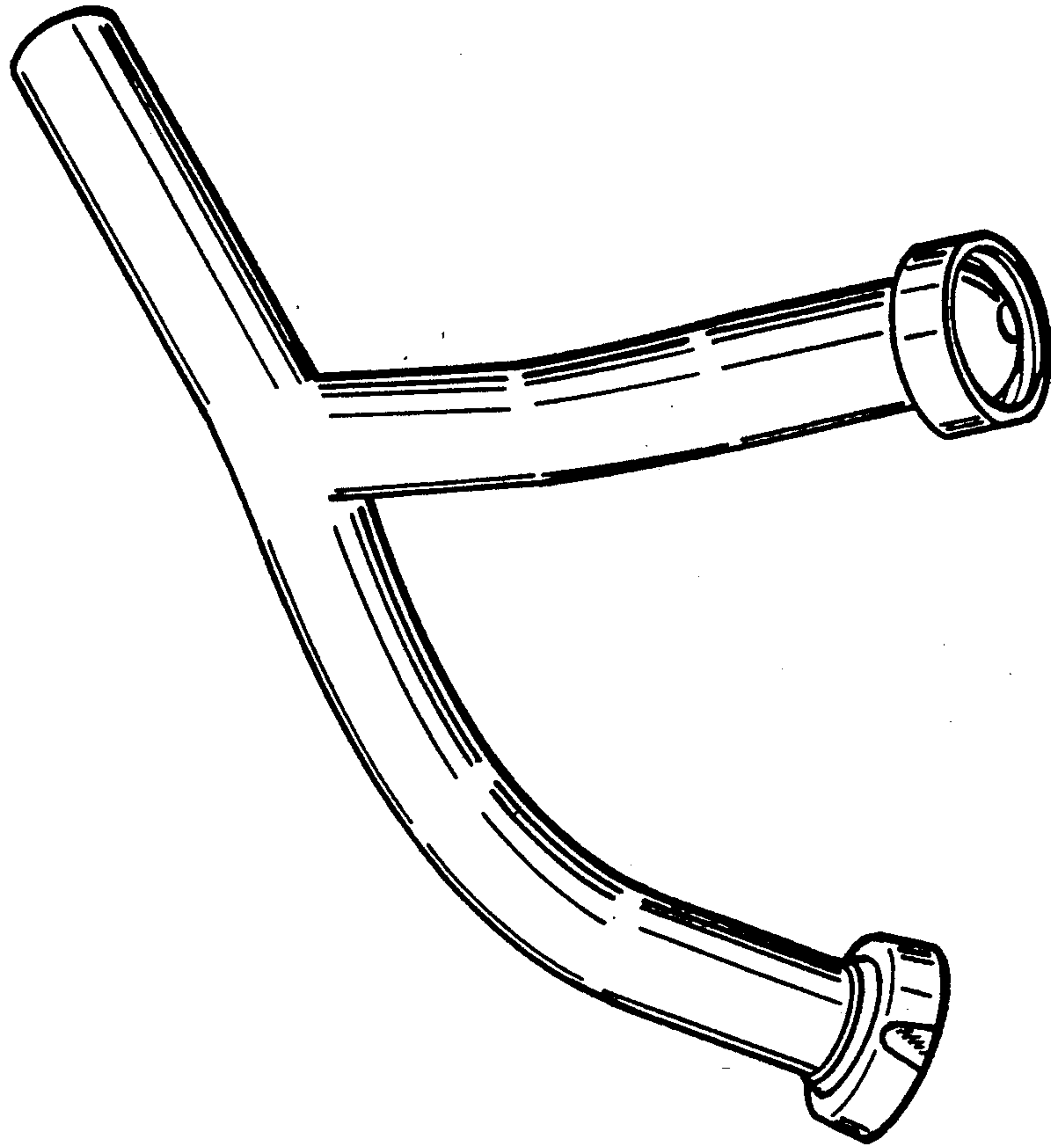


FIG.-7

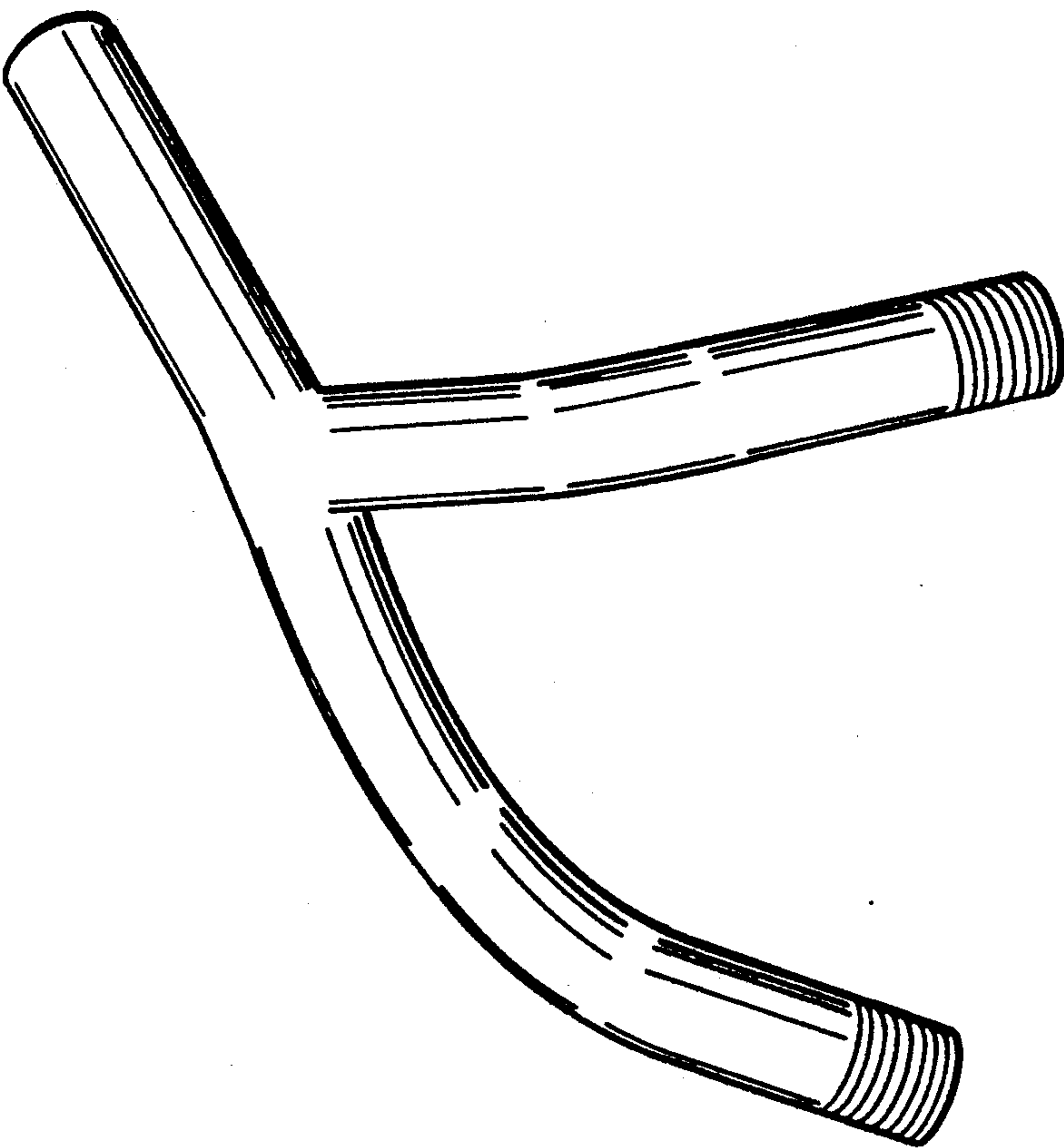


FIG.-8