



US00D331275S

United States Patent [19]

[11] Patent Number: **Des. 331,275**

Knapp

[45] Date of Patent: **** Nov. 24, 1992**

[54] **FAUCET**

[76] Inventor: **Alfons Knapp**, Klockstrasse 15,
D-7950 Biberach/Riss, Fed. Rep. of
Germany

[**] Term: **14 Years**

[21] Appl. No.: **643,869**

[22] Filed: **Dec. 20, 1990**

[30] **Foreign Application Priority Data**

Jun. 26, 1990 [IT] Italy 53101/90[U]

[52] U.S. Cl. **D23/238**

[58] Field of Search D23/238-243;
4/191, 192, 304, 305, 623; 137/359, 605, 606,
607, 801; 251/30.03, 30.04, 30.05, 129.04

[56] **References Cited**

U.S. PATENT DOCUMENTS

D. 140,557 3/1945 Stanitz D23/238
D. 251,794 5/1979 Smith D23/238

D. 281,095 10/1985 Arnold et al. D23/238
D. 281,096 10/1985 Arnold et al. D23/238
D. 314,040 1/1991 Heieck D23/238
D. 320,645 10/1991 Knapp D23/238
3,202,181 8/1965 West D23/238 X
4,262,699 4/1981 Fabian 4/192
4,635,673 1/1987 Gerdes 137/801 X
4,681,141 7/1987 Wang 137/625.4 X
4,827,538 5/1984 Heimann et al. 4/192

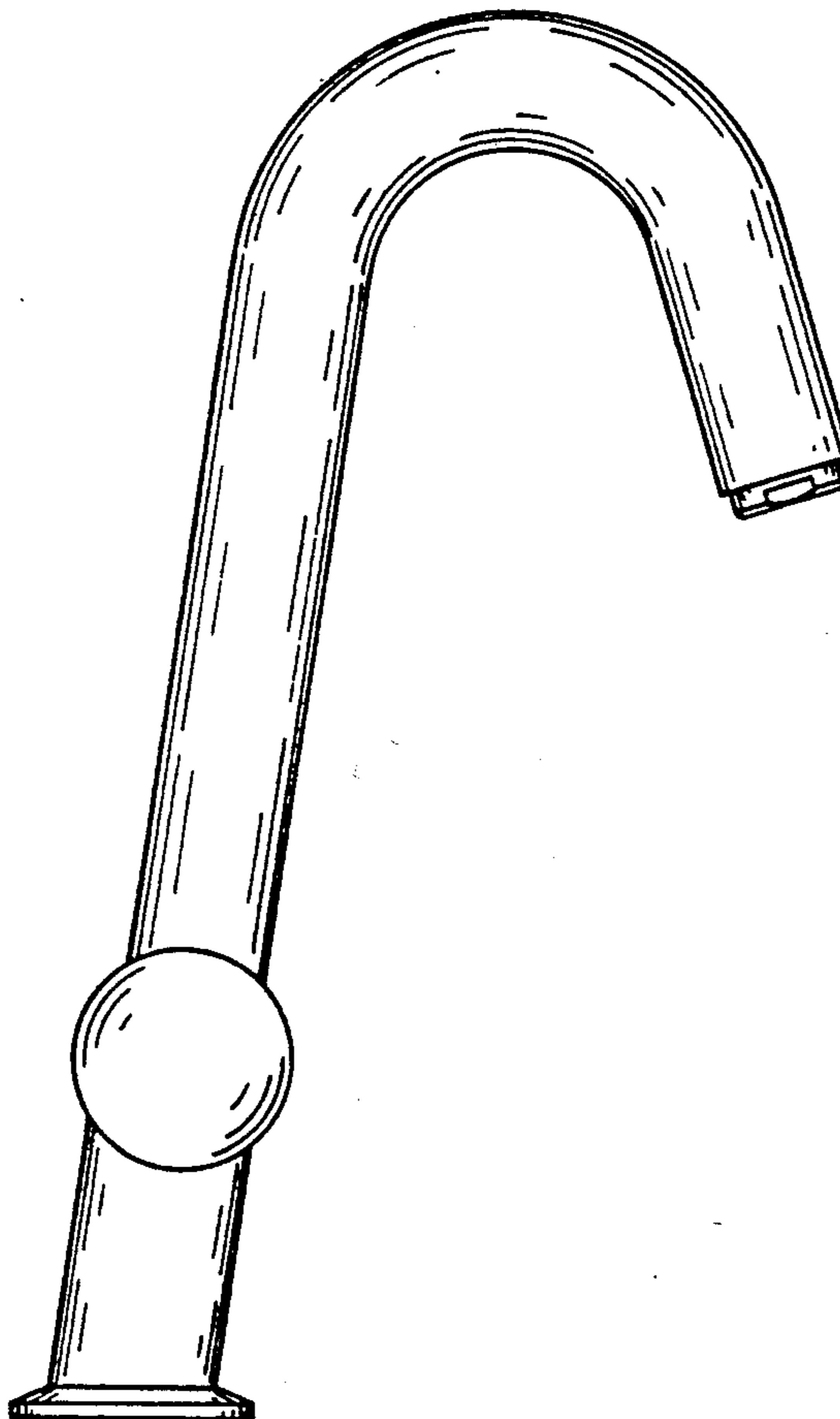
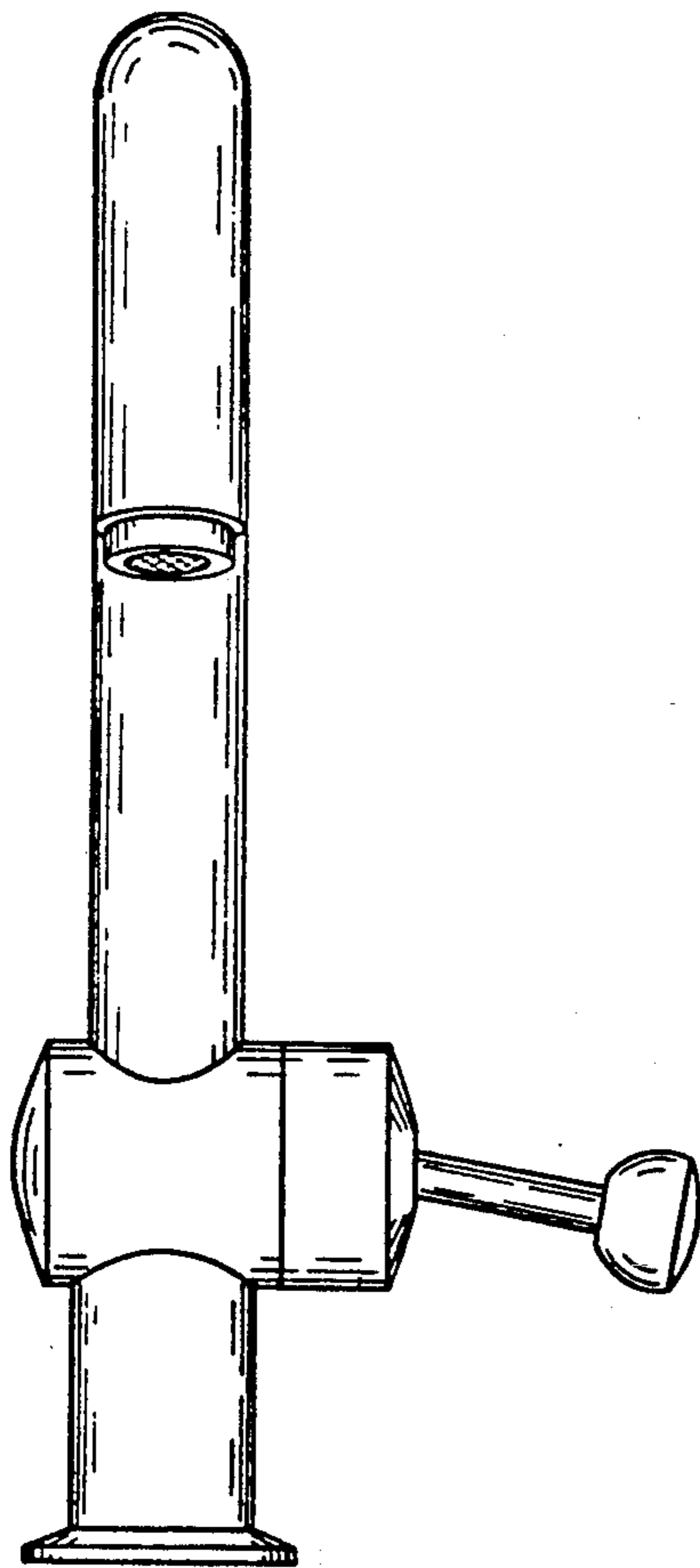
Primary Examiner—James R. Largen
Attorney, Agent, or Firm—Young & Thompson

[57] **CLAIM**

The ornamental design for a faucet, as shown.

DESCRIPTION

FIG. 1 is a front elevational view of a faucet, showing my new design;
FIG. 2 is a left side elevational view thereof;
FIG. 3 is a top plan view thereof;
FIG. 4 is a bottom plan view thereof;
FIG. 5 is a rear elevational view thereof; and,
FIG. 6 is a right side elevational view thereof.



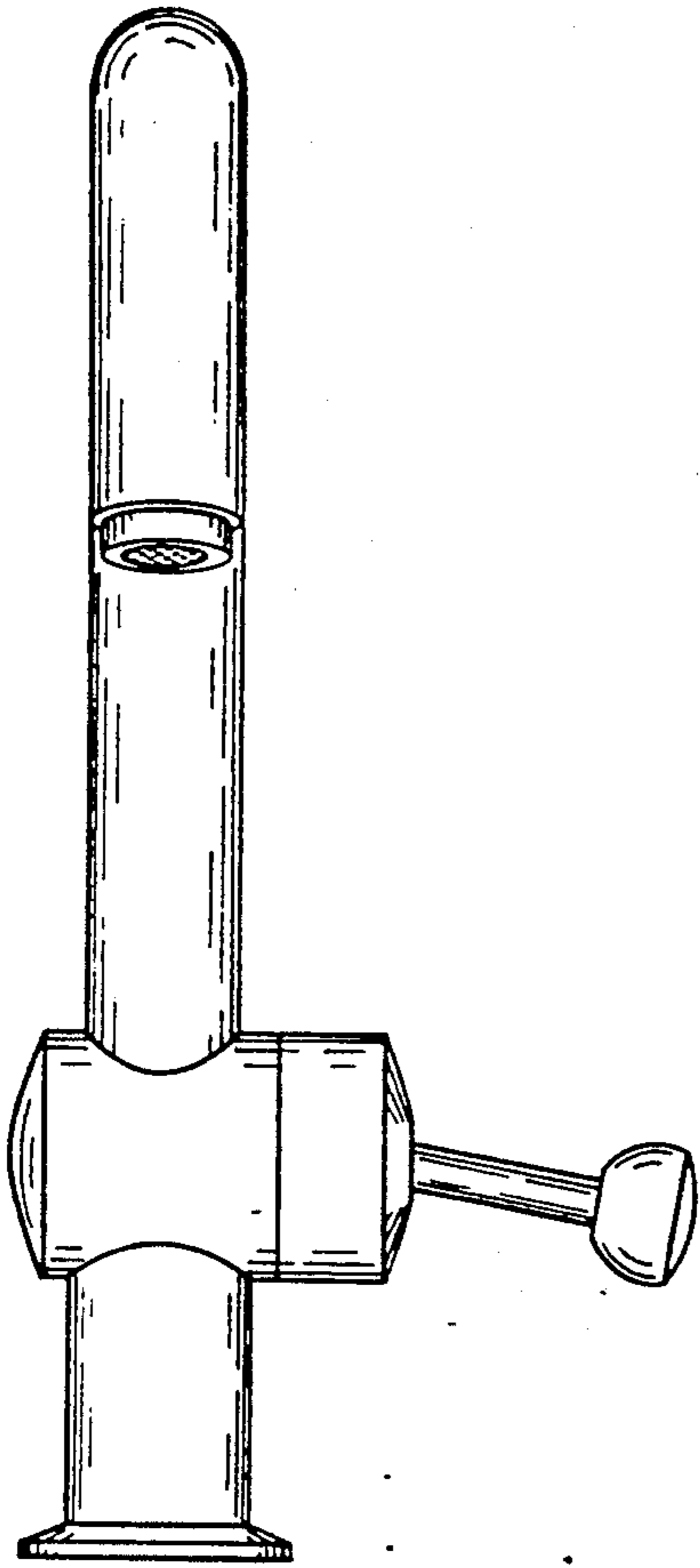


FIG. 1

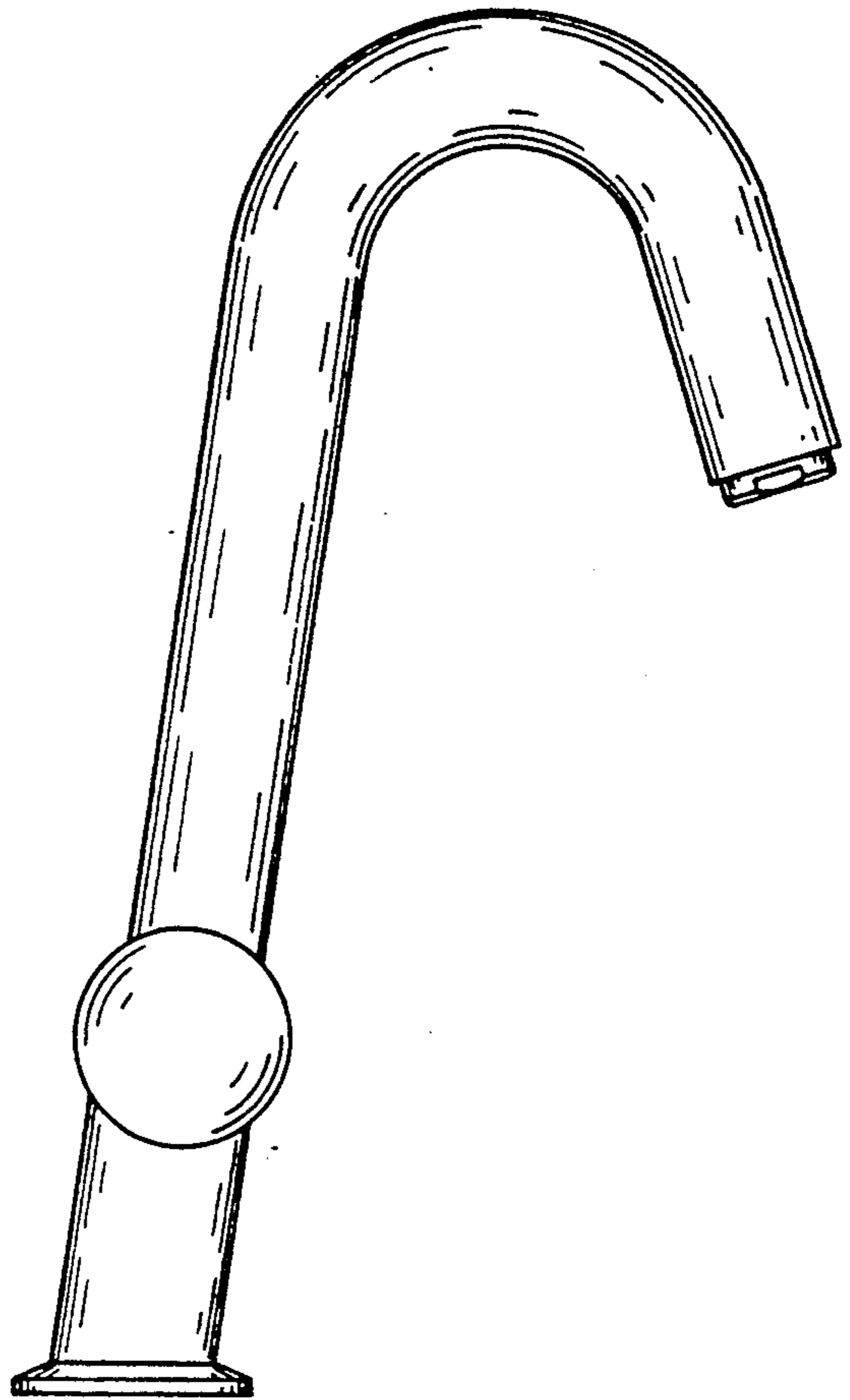


FIG. 2

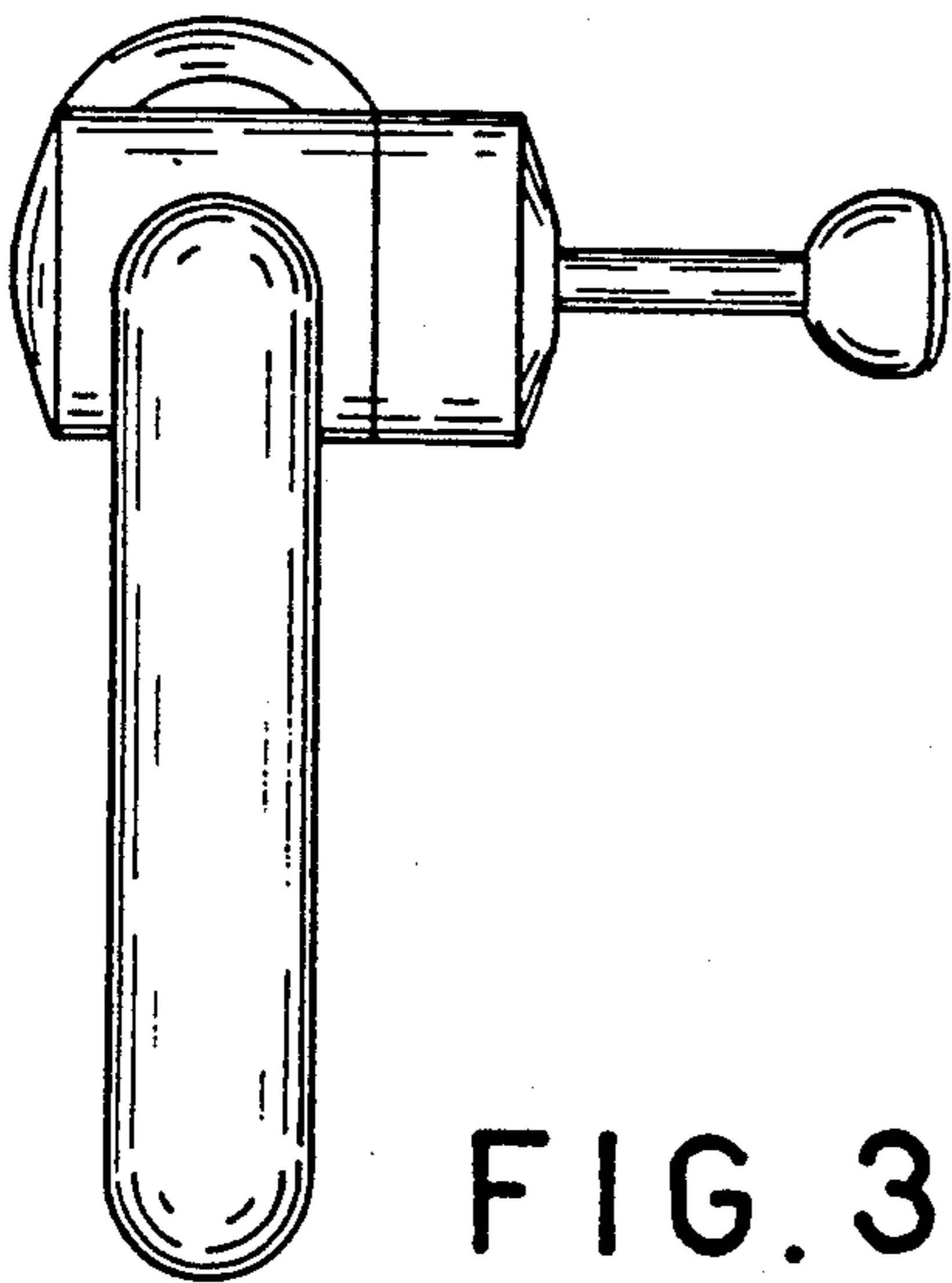


FIG. 3

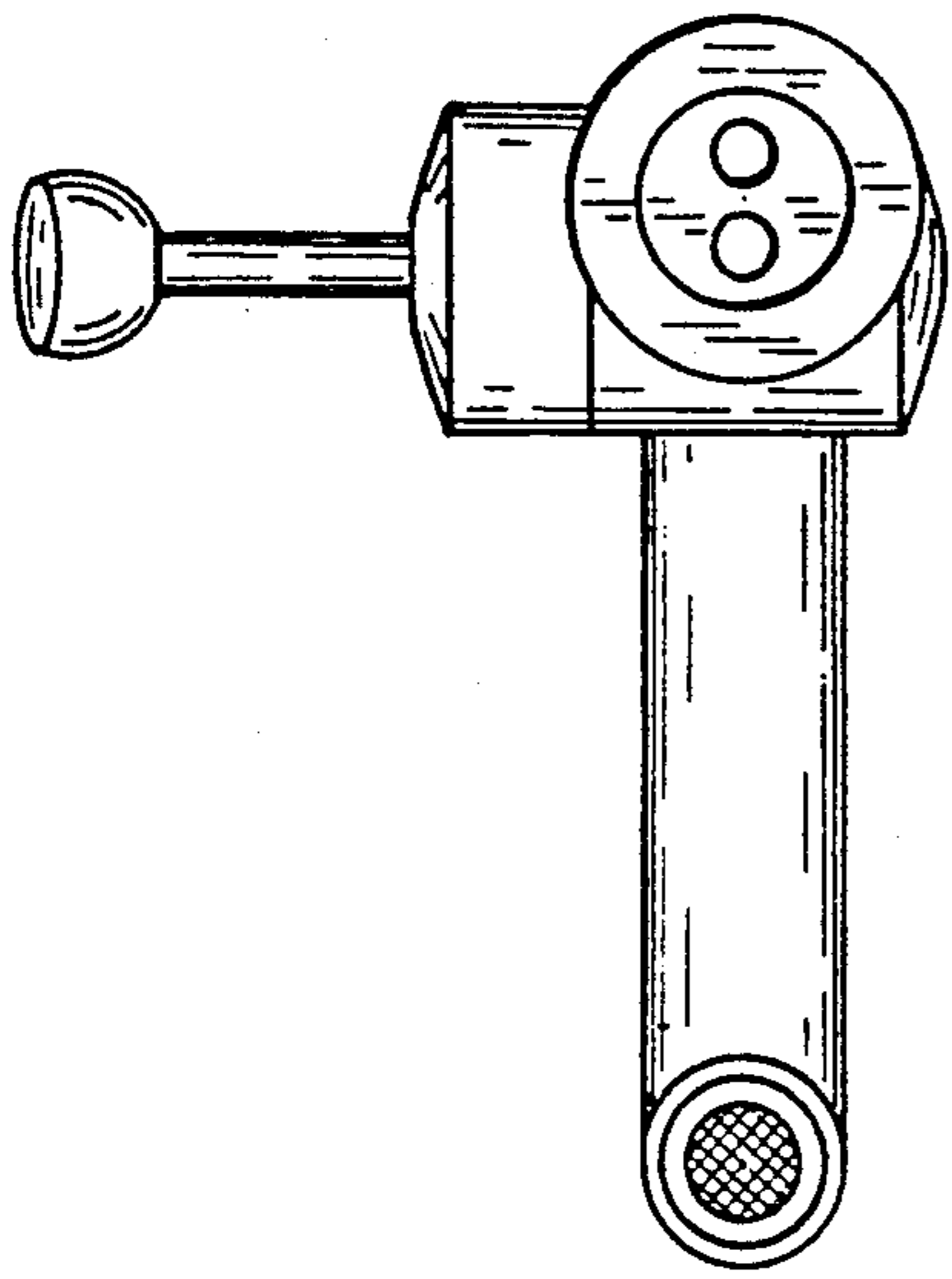


FIG. 4

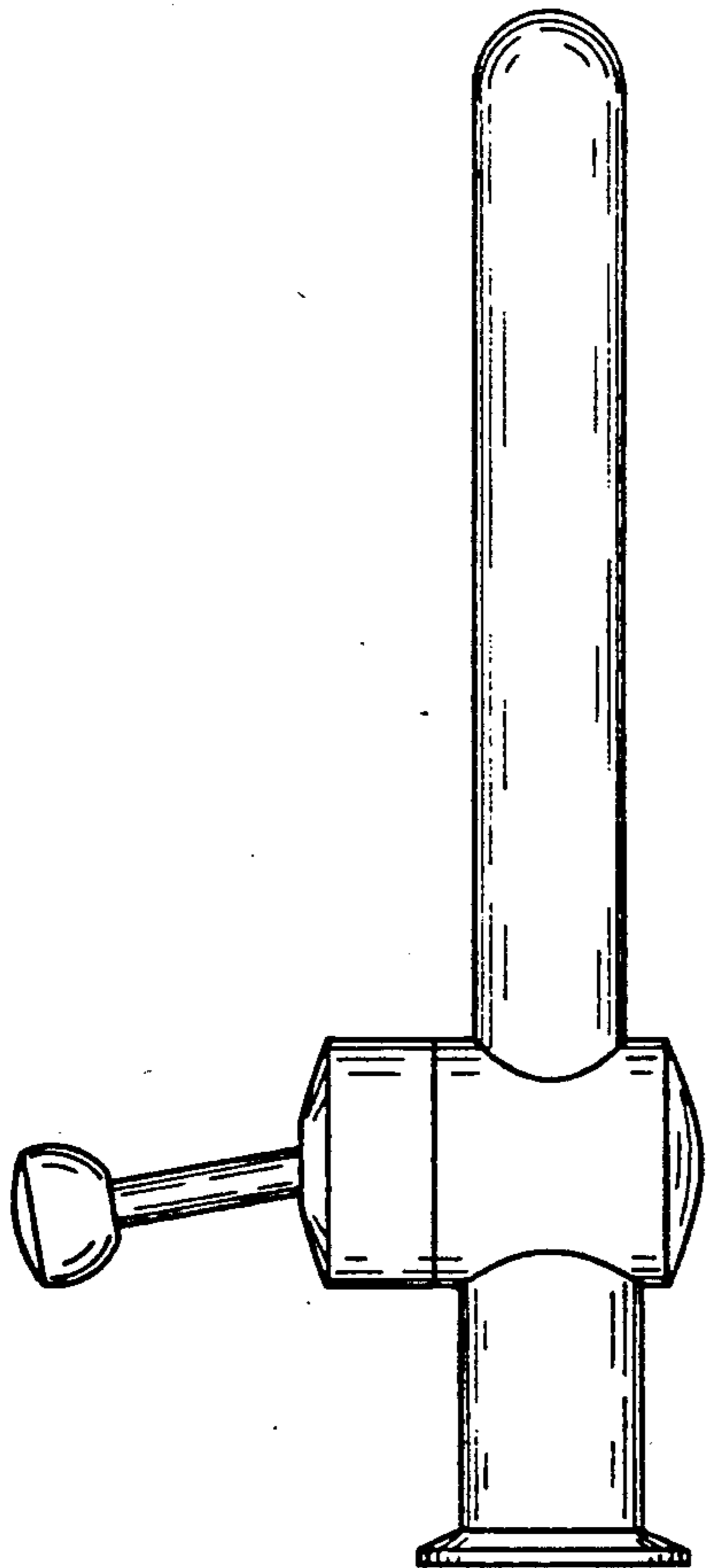


FIG. 5

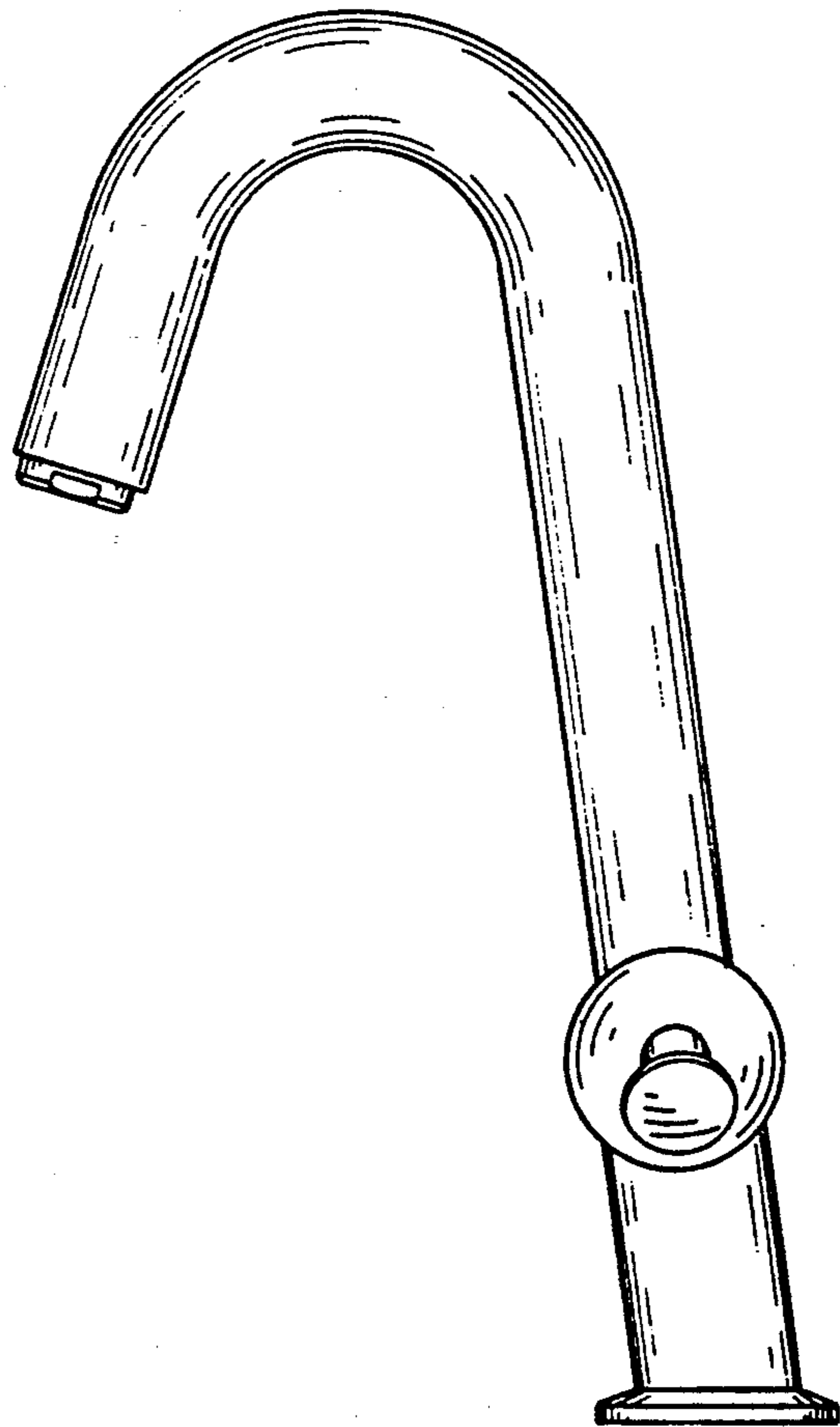


FIG. 6