



US00D331274S

# United States Patent [19]

[11] Patent Number: **Des. 331,274**

**Kashani**

[45] Date of Patent: **\*\* Nov. 24, 1992**

[54] **MAGNETIC FLUID CONDITIONER HOUSING**

5,030,344 7/1991 Ambrose ..... 210/222

[76] Inventor: **Hooshange Kashani**, 27141 Paseo Del Este, San Juan Capistrano, Calif. 92675

*Primary Examiner*—Susan J. Lucas  
*Assistant Examiner*—M. H. Tung  
*Attorney, Agent, or Firm*—Hawes & Fischer

[\*\*] Term: **14 Years**

[57] **CLAIM**

[21] Appl. No.: **646,322**

The ornamental design for a housing for a magnetic fluid conditioner housing, as shown and described.

[22] Filed: **Jan. 28, 1991**

**DESCRIPTION**

[52] U.S. Cl. .... **D23/207**

[58] Field of Search ..... **D23/207-210;**  
210/97, 198.1, 205-206, 231, 244-246,  
257.1-257.2, 258, 260-261, 275, 282, 287-290,  
295, 321.6, 321.78, 348, 416.3, 443-449,  
222-223

FIG. 1 is a top, rear, left side perspective view of a magnetic fluid conditioner housing showing my new design;

FIG. 2 is a bottom, front, right side perspective view thereof;

FIG. 3 is a top plan view thereof;

FIG. 4 is a bottom plan view thereof;

FIG. 5 is a front elevational view thereof;

FIG. 6 is a rear elevational view thereof; and,

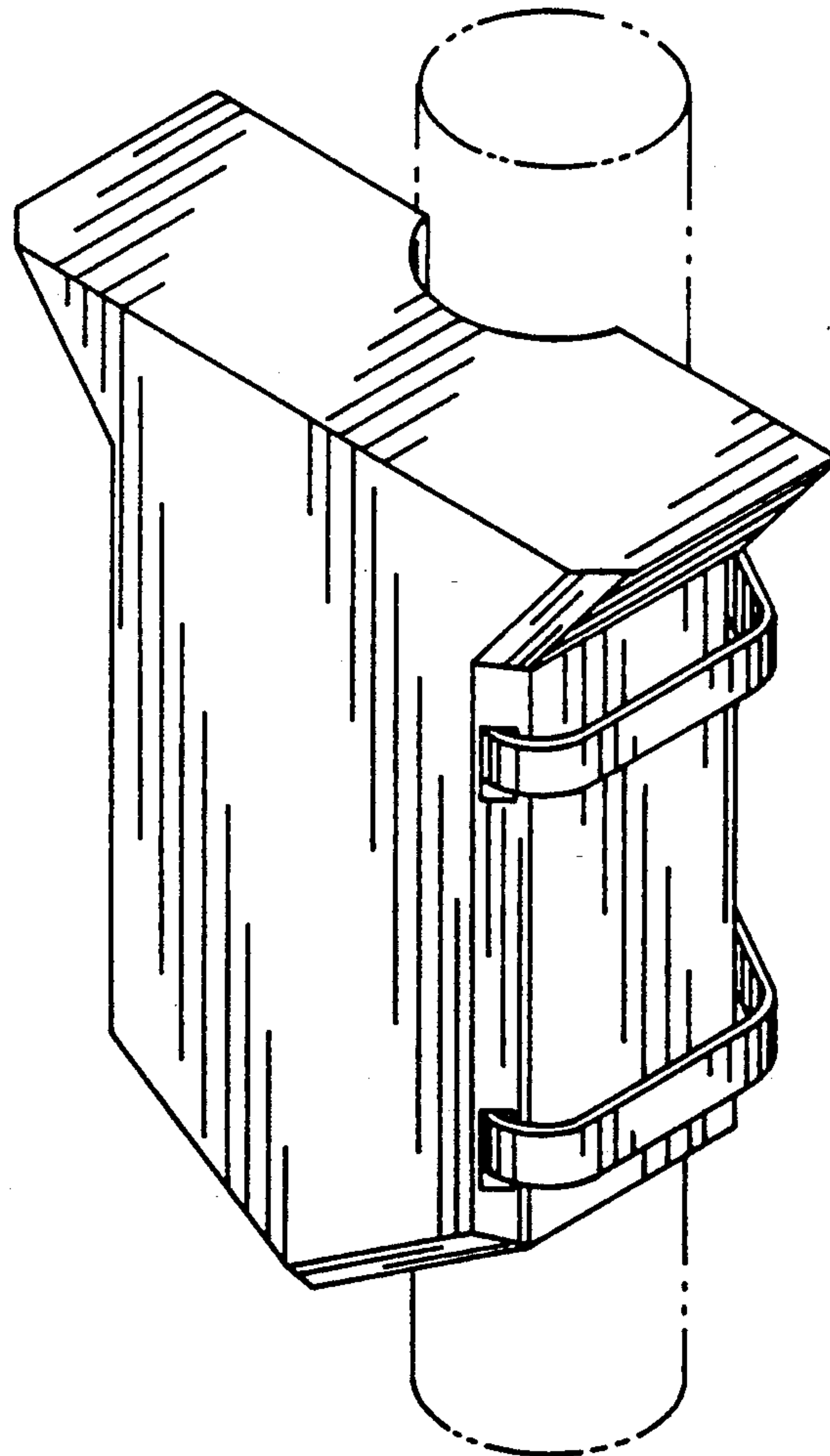
FIG. 7 is a right side elevational view thereof, the left side being a mirror image.

The broken line drawing of a fluid conduit is for illustrative purposes only and forms no part of the claimed design.

[56] **References Cited**

**U.S. PATENT DOCUMENTS**

D. 318,516	7/1991	Ellison et al. ....	D23/207
4,808,306	2/1989	Mitchell et al. ....	210/222
4,888,113	12/1989	Holcomb .....	210/222
4,892,655	1/1990	Makovec .....	210/222
4,956,084	9/1990	Stevens .....	210/222



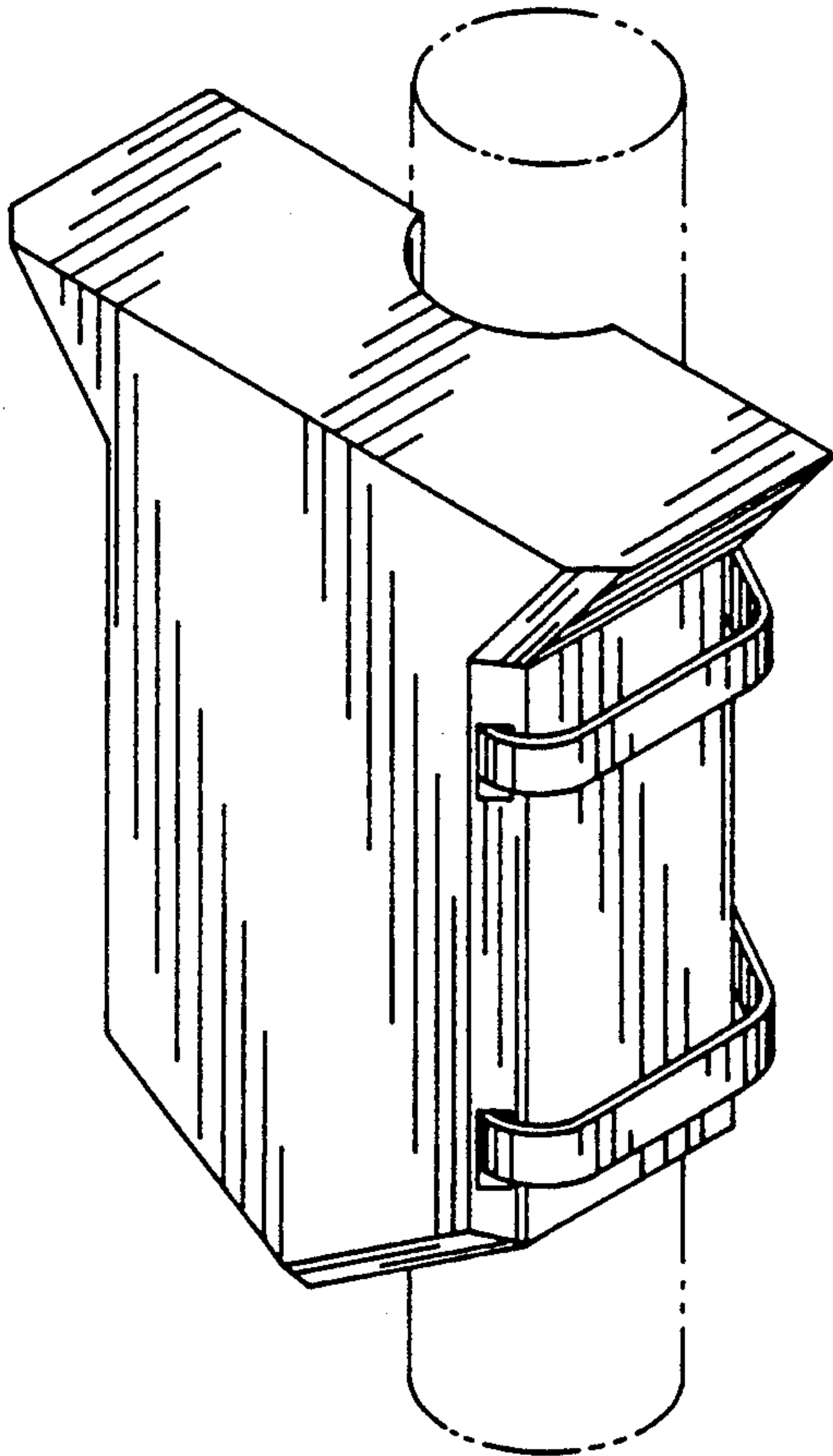


FIG. 1

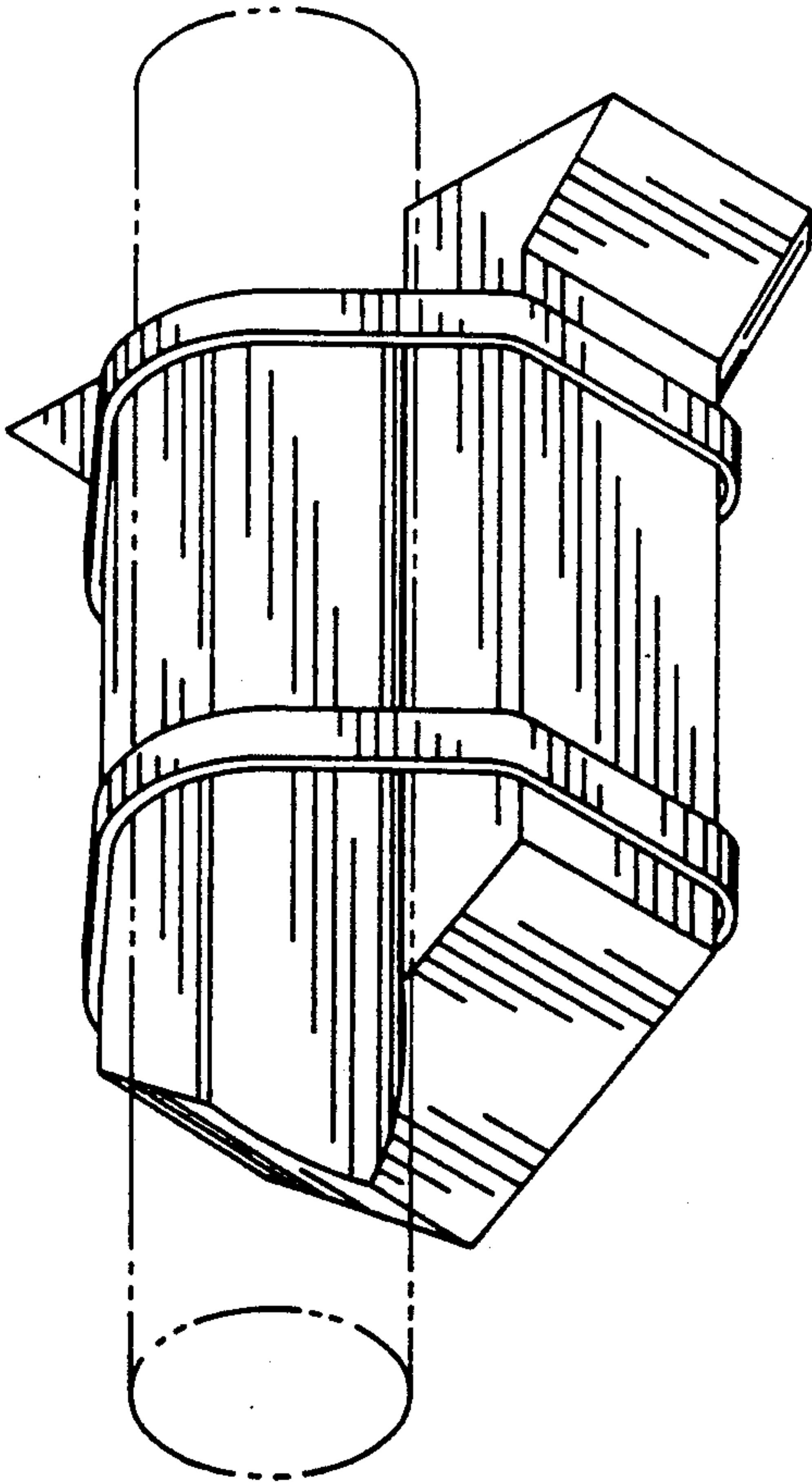


FIG. 2

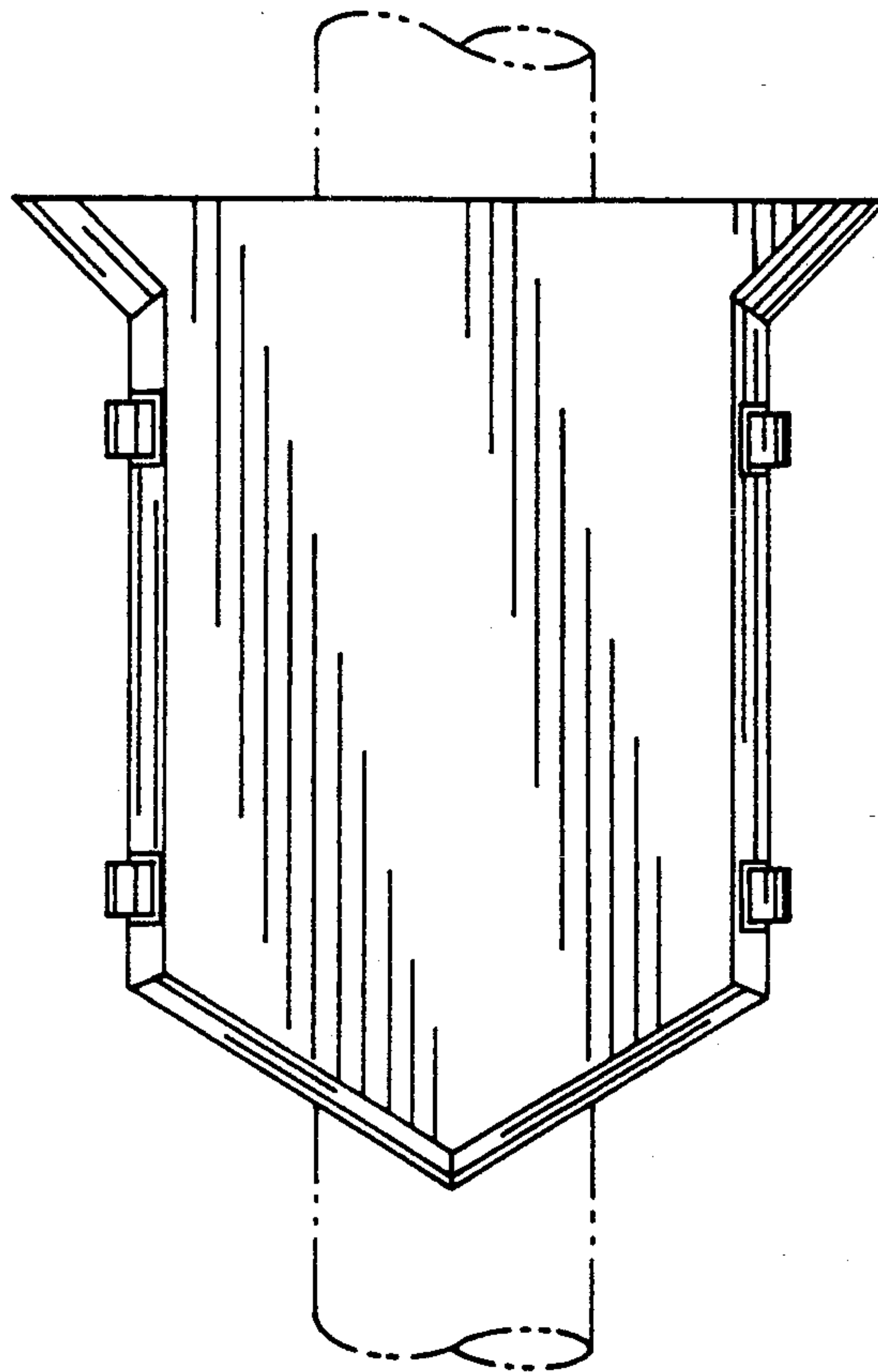


FIG. 3

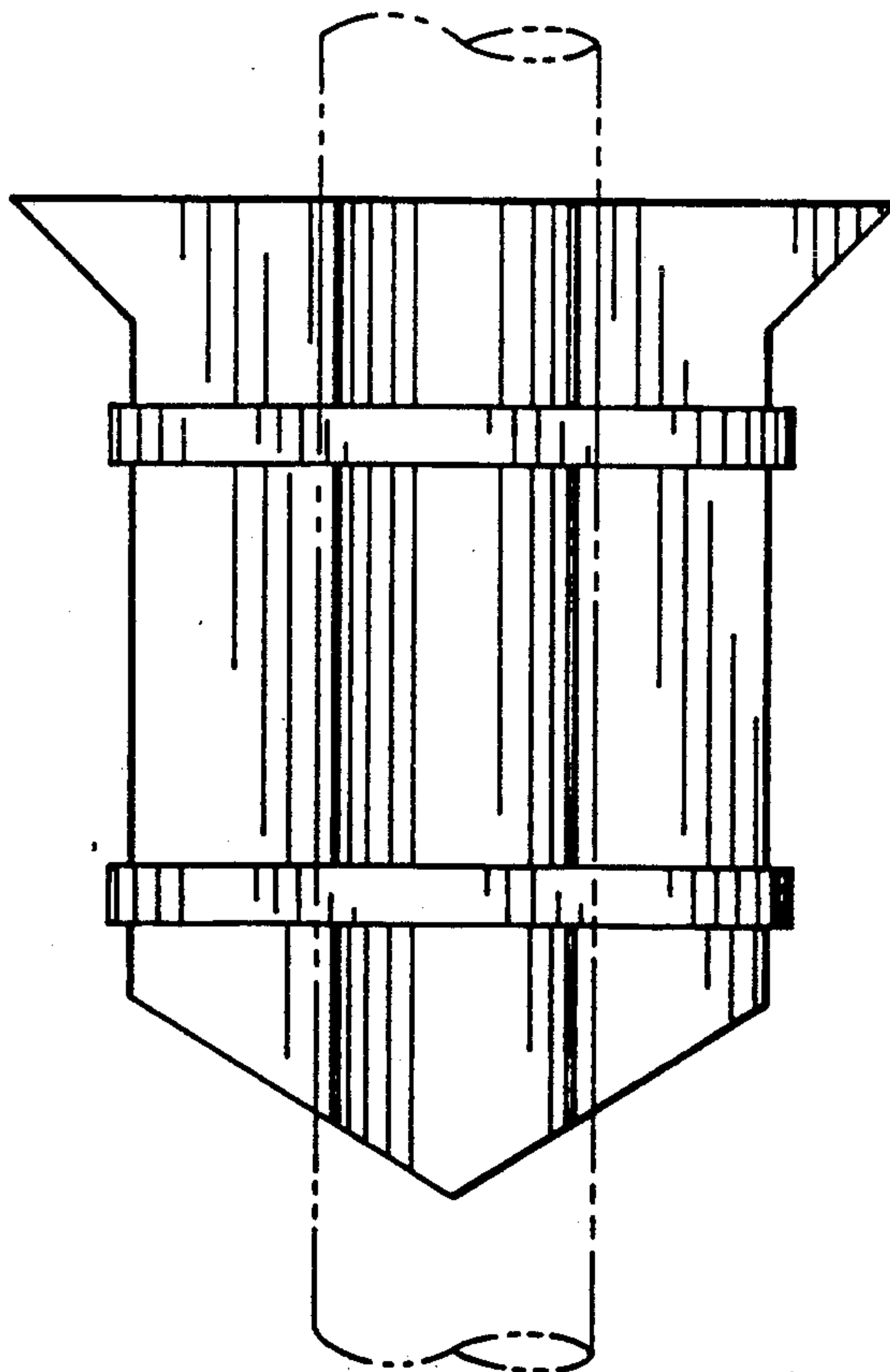


FIG. 4

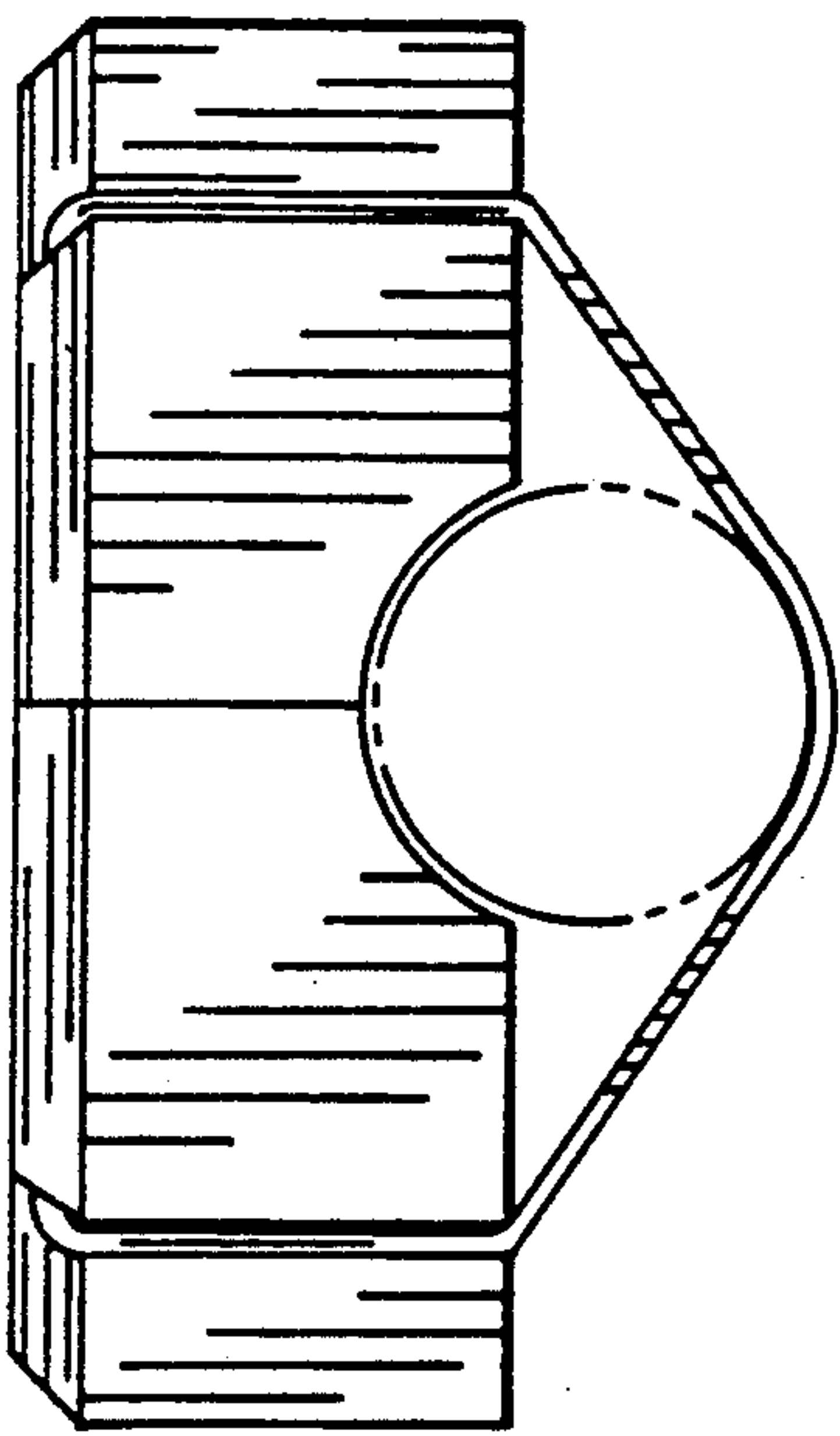


FIG. 5

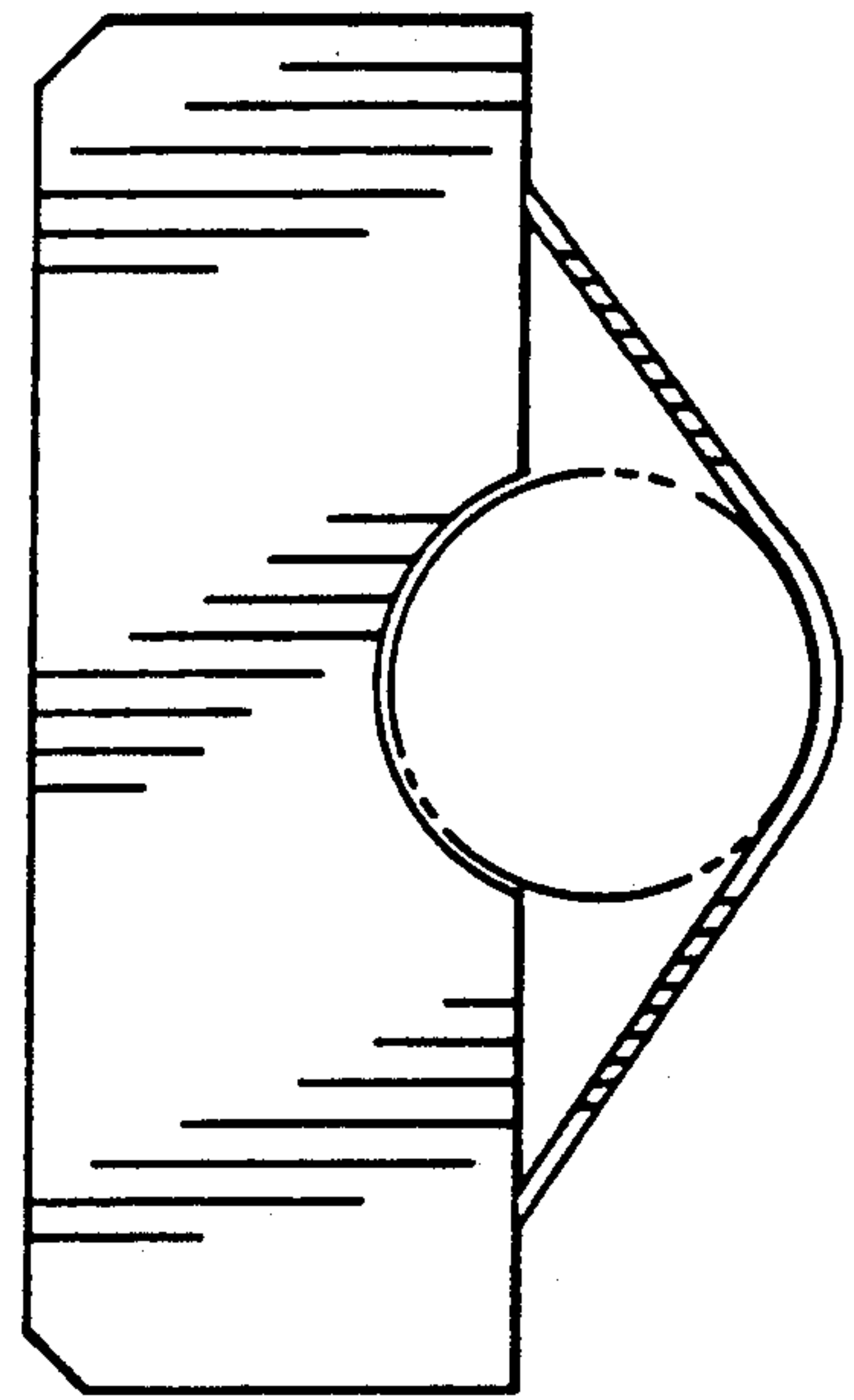


FIG. 6

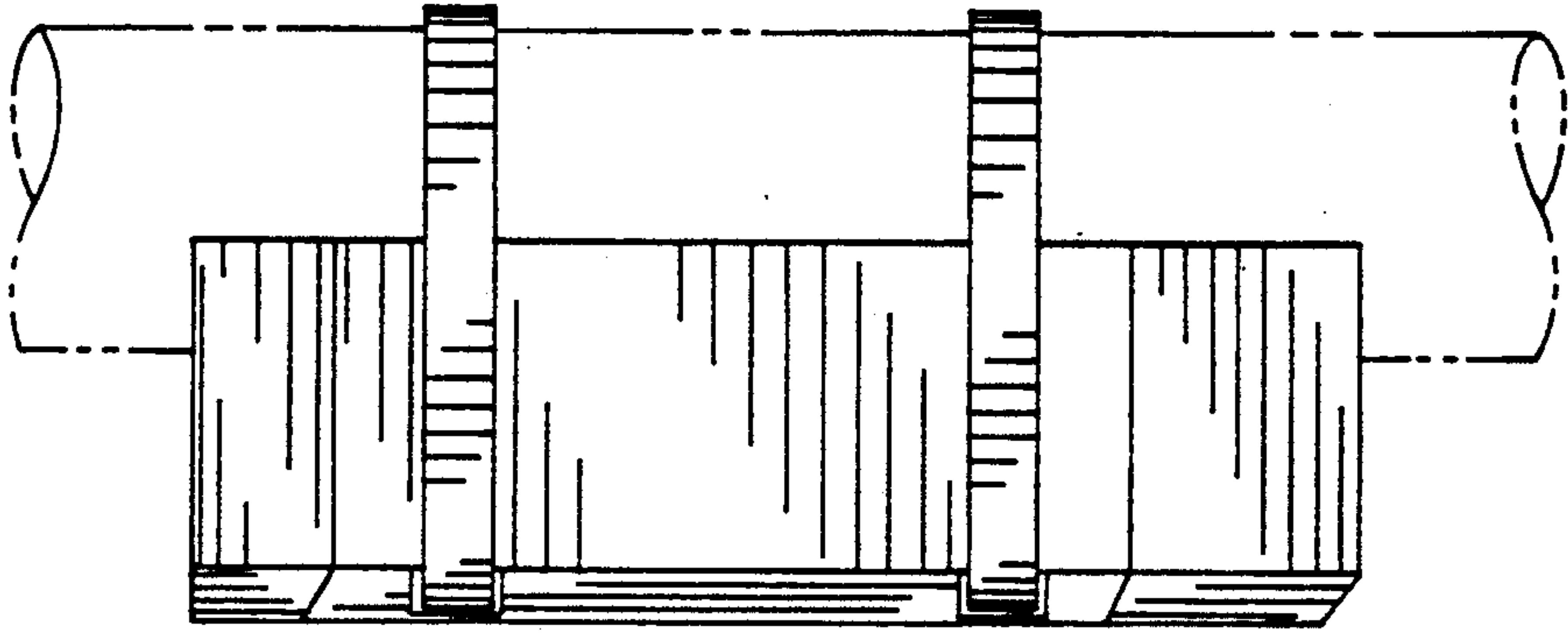


FIG. 7