



US00D331263S

United States Patent [19]

[11] Patent Number: **Des. 331,263**

Shing-Wai

[45] Date of Patent: **** Nov. 24, 1992**

[54] **COMBINED CLIPBOARD AND WRITING INSTRUMENT FOR ATTACHMENT TO AN AUTOMOBILE STEERING WHEEL**

1,892,721 1/1933 Cardarelli 248/447.2
2,862,328 12/1958 Wadsworth 248/452
5,025,919 6/1991 Brinker et al. 206/214

[76] Inventor: **Leung Shing-Wai**, Flat f, 4th Flr., Wah Fai Industrial Bldg., 4 Sze Shan Street, Yau Tong, Kowloon, Hong Kong

OTHER PUBLICATIONS

Fahrney's Catalog, 1977, p. 18 see item J101T (circled).
Park Sherman Catalog ©1967 see p. 13, item 575. (circled). Desk copy.

[**] Term: **14 Years**

Primary Examiner—Nelson C. Holtje
Assistant Examiner—Martha Thompson
Attorney, Agent, or Firm—Renner, Otto, Boisselle & Sklar

[21] Appl. No.: **527,552**

[22] Filed: **May 23, 1990**

[30] Foreign Application Priority Data

Apr. 6, 1990 [GB] United Kingdom 2005981

[52] U.S. Cl. **D19/88; D19/36; D19/83; D19/86; D19/90**

[58] Field of Search D19/35, 36, 65, 75, D19/78, 81-85, 86, 88, 90, 91, 92, 100; 40/341-349, 351, 352, 357; 248/441.1, 442.2, 445-447, 447.2, 448-455, 457, 460

[57] CLAIM

The ornamental design for a combined clipboard and writing instrument for attachment to an automobile steering wheel, as shown and described.

[56] References Cited

U.S. PATENT DOCUMENTS

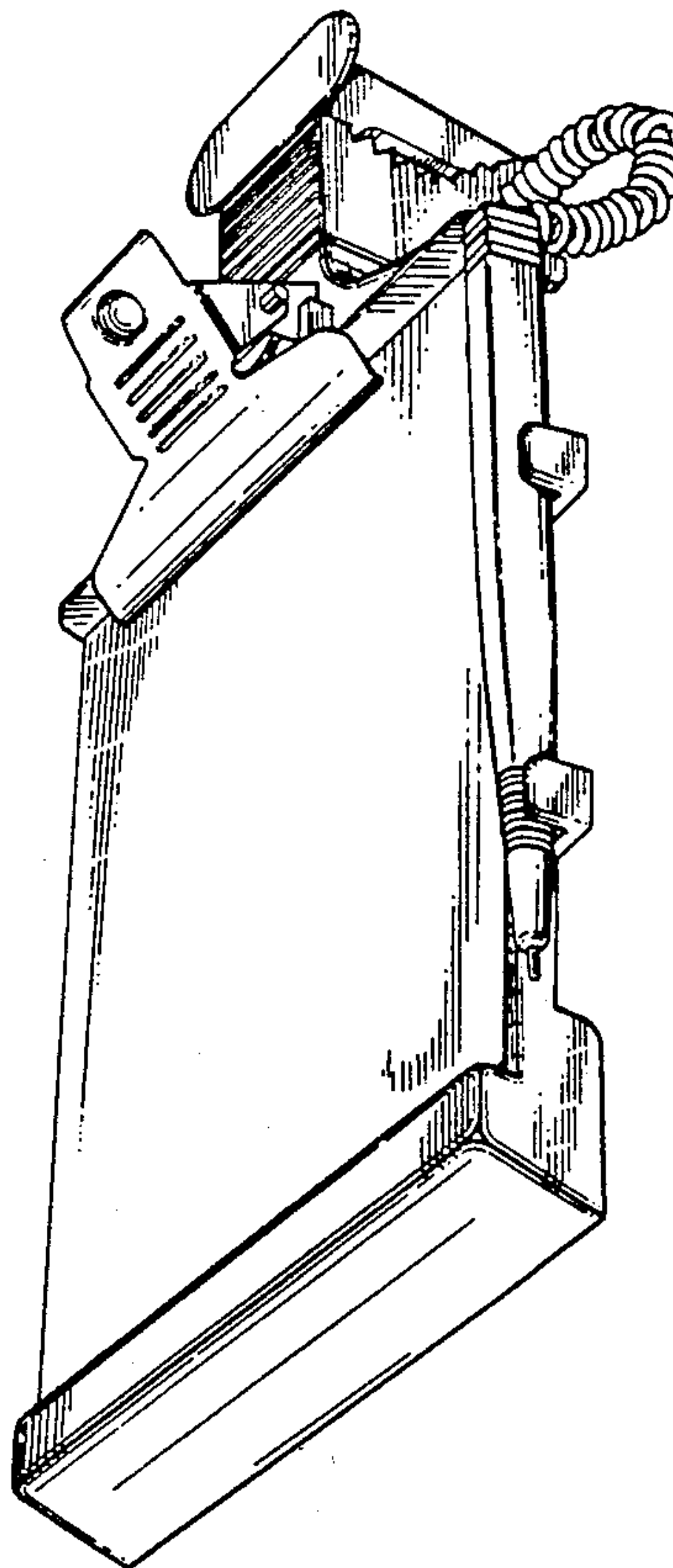
- D. 164,173 8/1951 Ives D19/88
- D. 286,894 11/1956 Hads et al. D19/88
- D. 303,401 9/1989 Cross et al. D19/88
- D. 313,819 1/1991 Craft, Jr. et al. D19/88
- D. 319,262 8/1991 Brinker et al. D19/92 X
- D. 321,012 10/1991 Wright D19/88

DESCRIPTION

FIG. 1 is a top, left front perspective view of a combined clipboard and writing instrument for attachment to an automobile steering wheel showing my new design;

FIG. 2 is a bottom, right front perspective view thereof; FIG. 3 is a bottom, right front perspective view thereof with the clamp member in an extended position; and, FIG. 4 is a right side elevational view thereof with the writing instrument in an alternate position.

The rear of the article is substantially plain and unornamented.



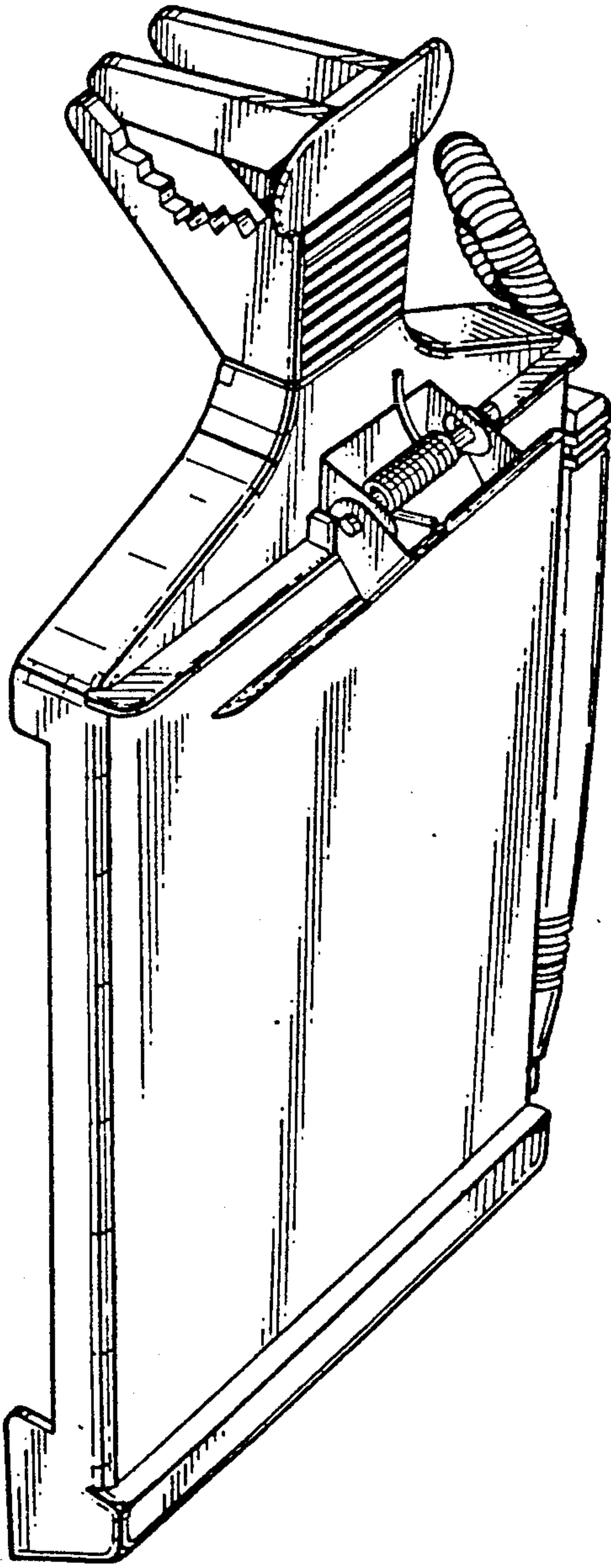


FIG. 1

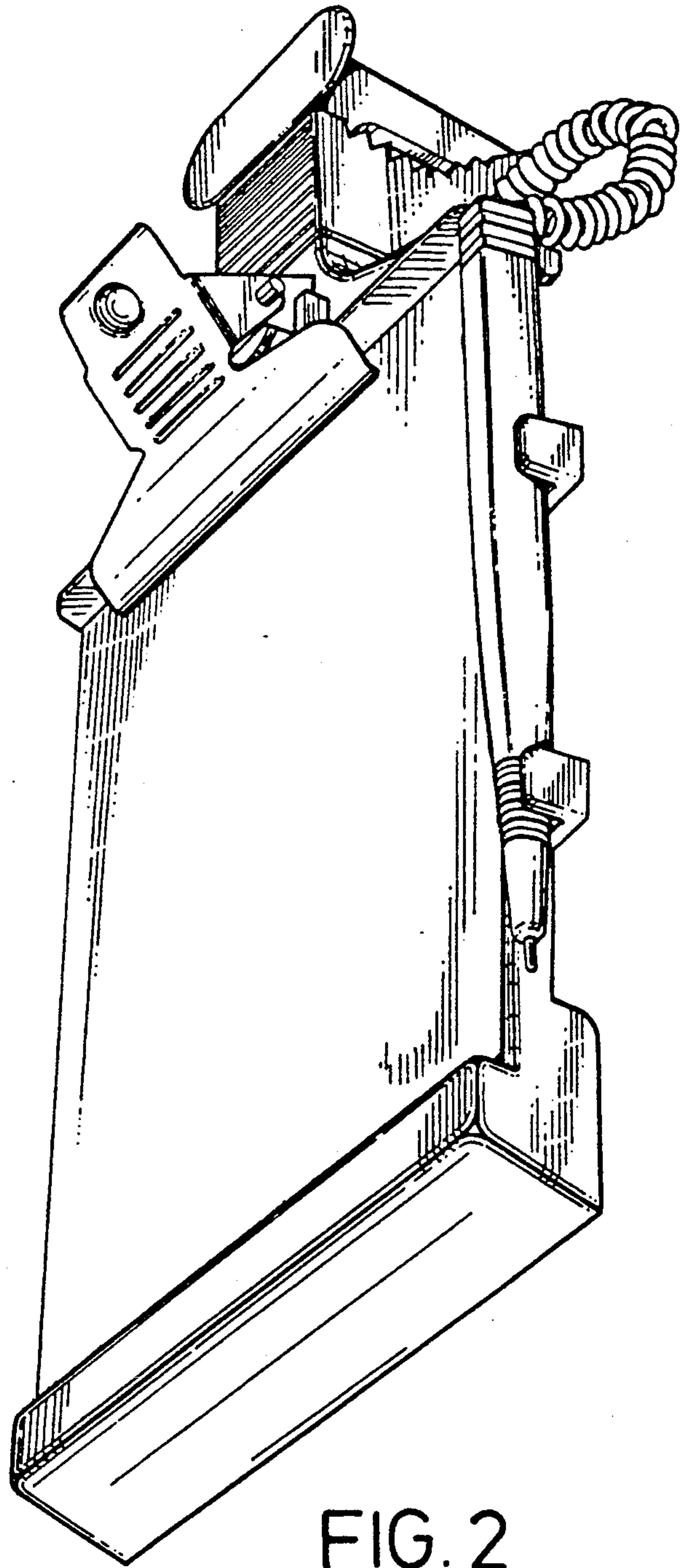


FIG. 2

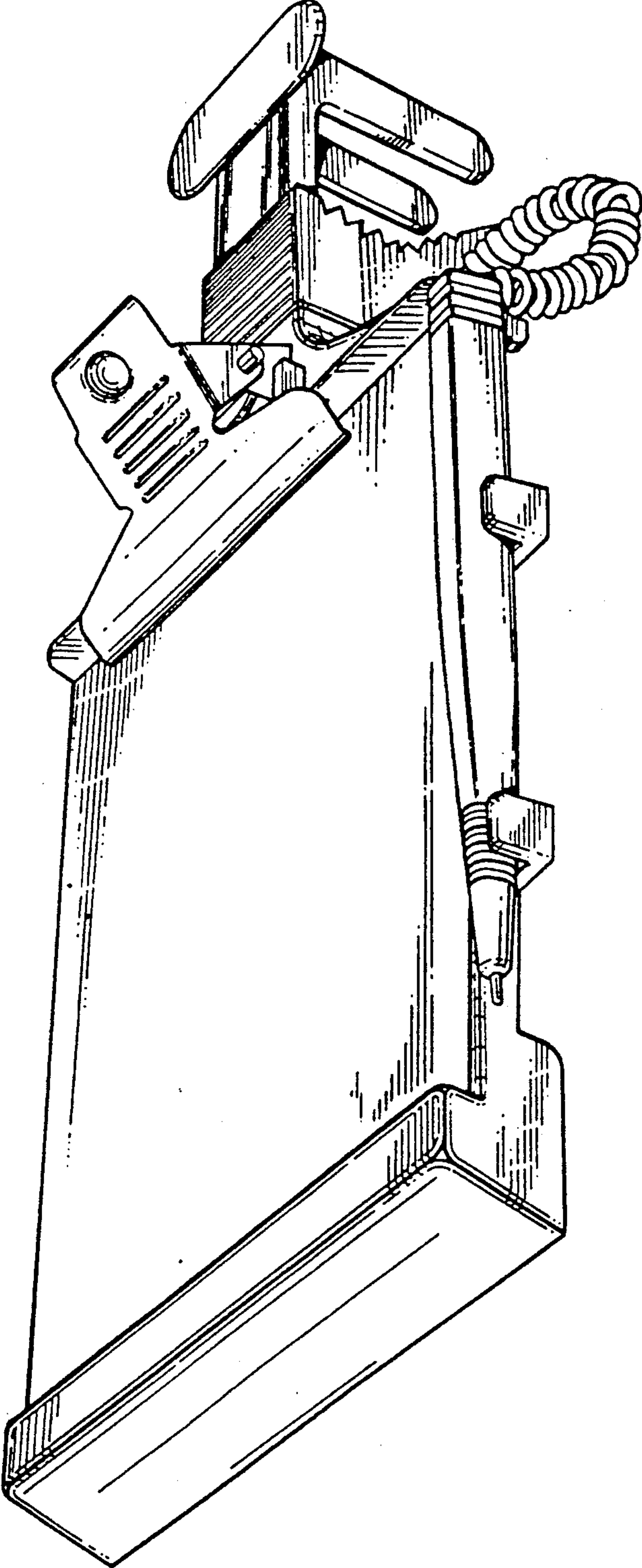


FIG. 3

FIG. 4

