



US00D331260S

United States Patent [19]

[11] Patent Number: **Des. 331,260**

Bannwart

[45] Date of Patent: **** Nov. 24, 1992**

[54] **BALLPOINT PEN**

[75] Inventor: **Jean-René Bannwart, La**
Chaux-de-Fonds, Switzerland

[73] Assignee: **Corum, Ries, Bannwart et Co S.A., La**
Chaux-de-Fonds, Switzerland

[**] Term: **14 Years**

[21] Appl. No.: **569,475**

[22] Filed: **Aug. 20, 1990**

[30] **Foreign Application Priority Data**

Feb. 21, 1990 [IB] Int'l Pat. Institute **DM/015 940**

[52] U.S. Cl. **D19/51; D19/48;**
D19/56

[58] Field of Search **D19/35, 36, 41-51,**
D19/54-58, 81-85; 401/99, 100, 104, 103,
243-247

[56] **References Cited**

U.S. PATENT DOCUMENTS

D. 208,680 9/1967 Summers **D19/43 X**

D. 209,550 12/1967 Arnone **D19/56 X**
D. 271,212 11/1983 Itoh **D19/43 X**
D. 305,551 1/1990 Oka **D19/57**
D. 306,317 2/1990 Petterson **D19/56**
D. 318,490 7/1991 Klodt **D19/51**
D. 319,845 9/1991 Grötsch et al. **D19/56 X**
D. 323,186 1/1992 Clark et al. **D19/57 X**

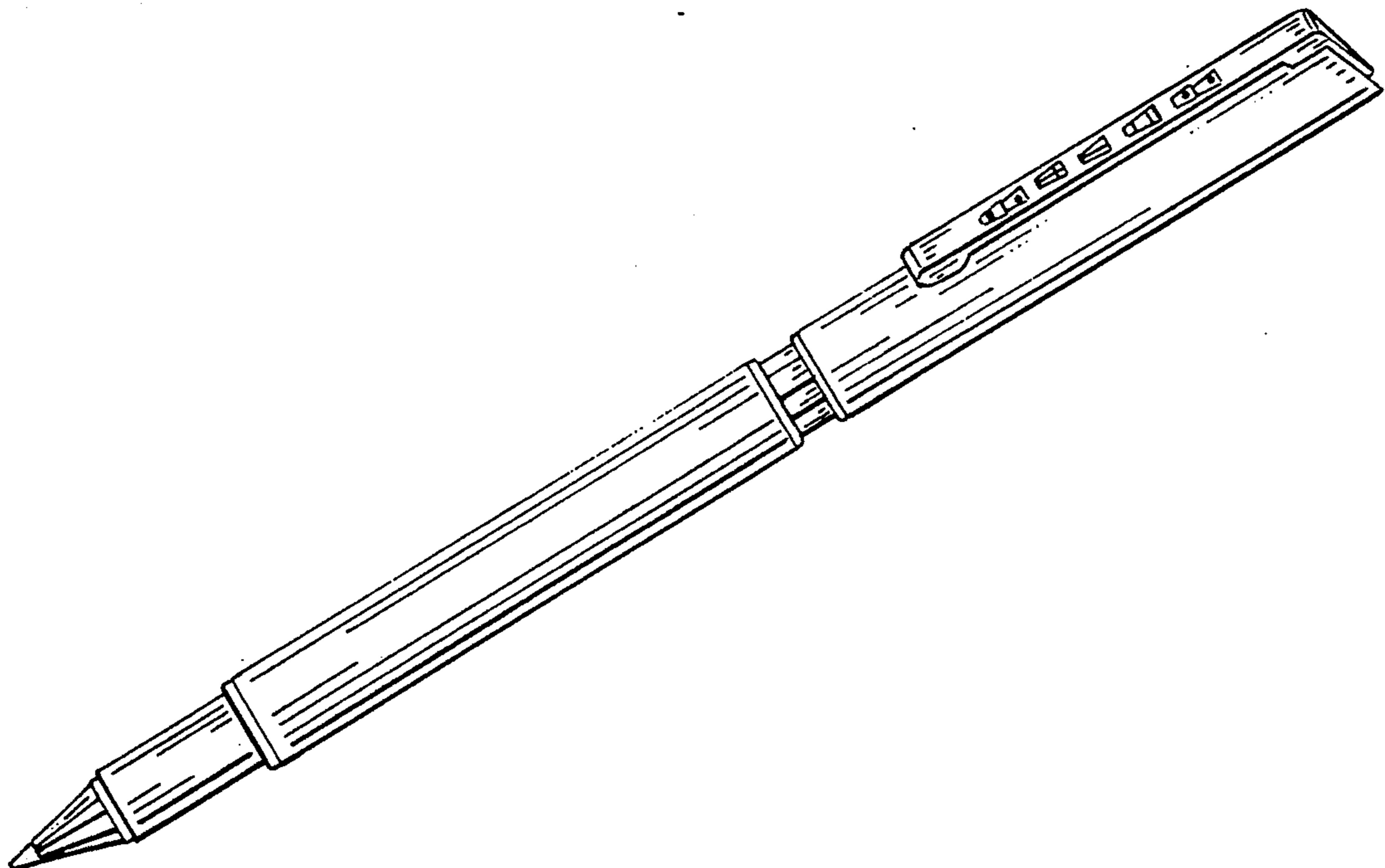
Primary Examiner—Nelson C. Holtje
Assistant Examiner—Martha Thompson
Attorney, Agent, or Firm—McGlew and Tuttle

[57] **CLAIM**

The ornamental design for a ballpoint pen, as shown and described.

DESCRIPTION

FIG. 1 is a front elevational view of a ballpoint pen showing my new design;
FIG. 2 is a rear elevational view;
FIG. 3 is a right side elevational view;
FIG. 4 is a left side elevational view;
FIG. 5 is a top plan view;
FIG. 6 is a bottom plan view; and,
FIG. 7 is a bottom, right front perspective view thereof.



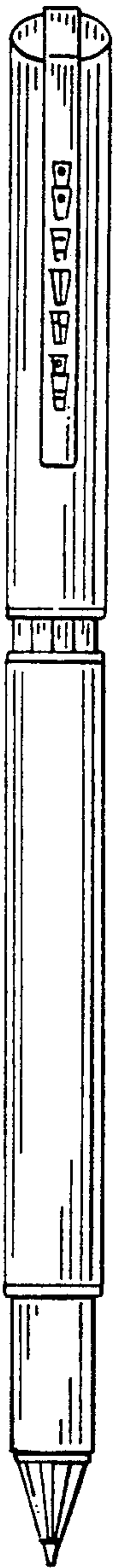


FIG. 1

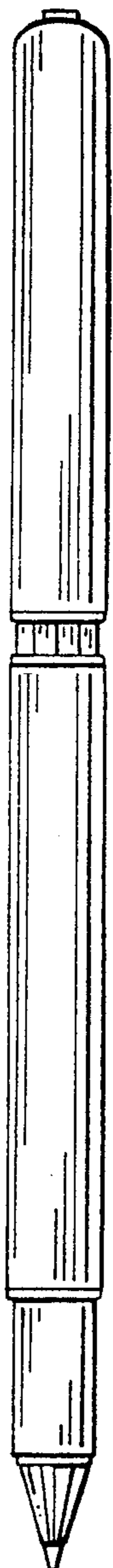


FIG. 2

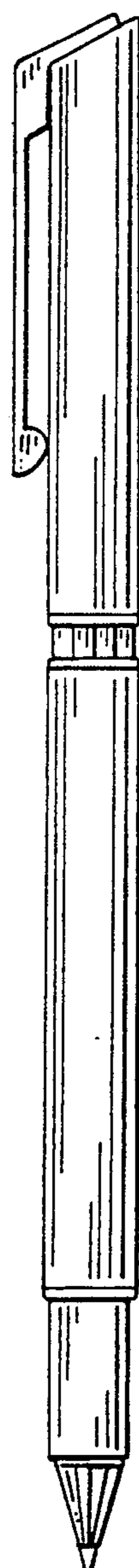


FIG. 3

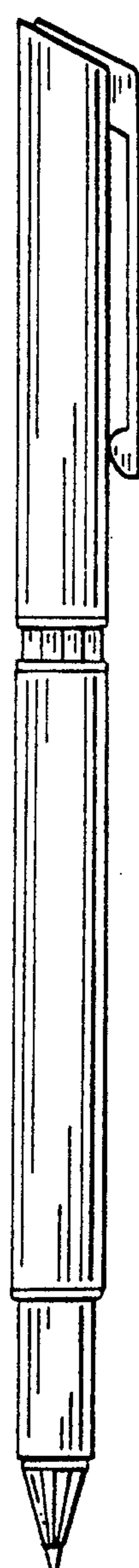


FIG. 4

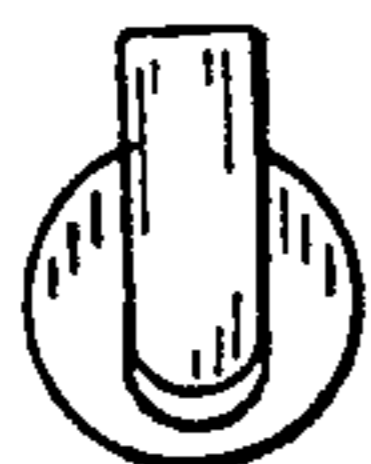


FIG. 5



FIG. 6

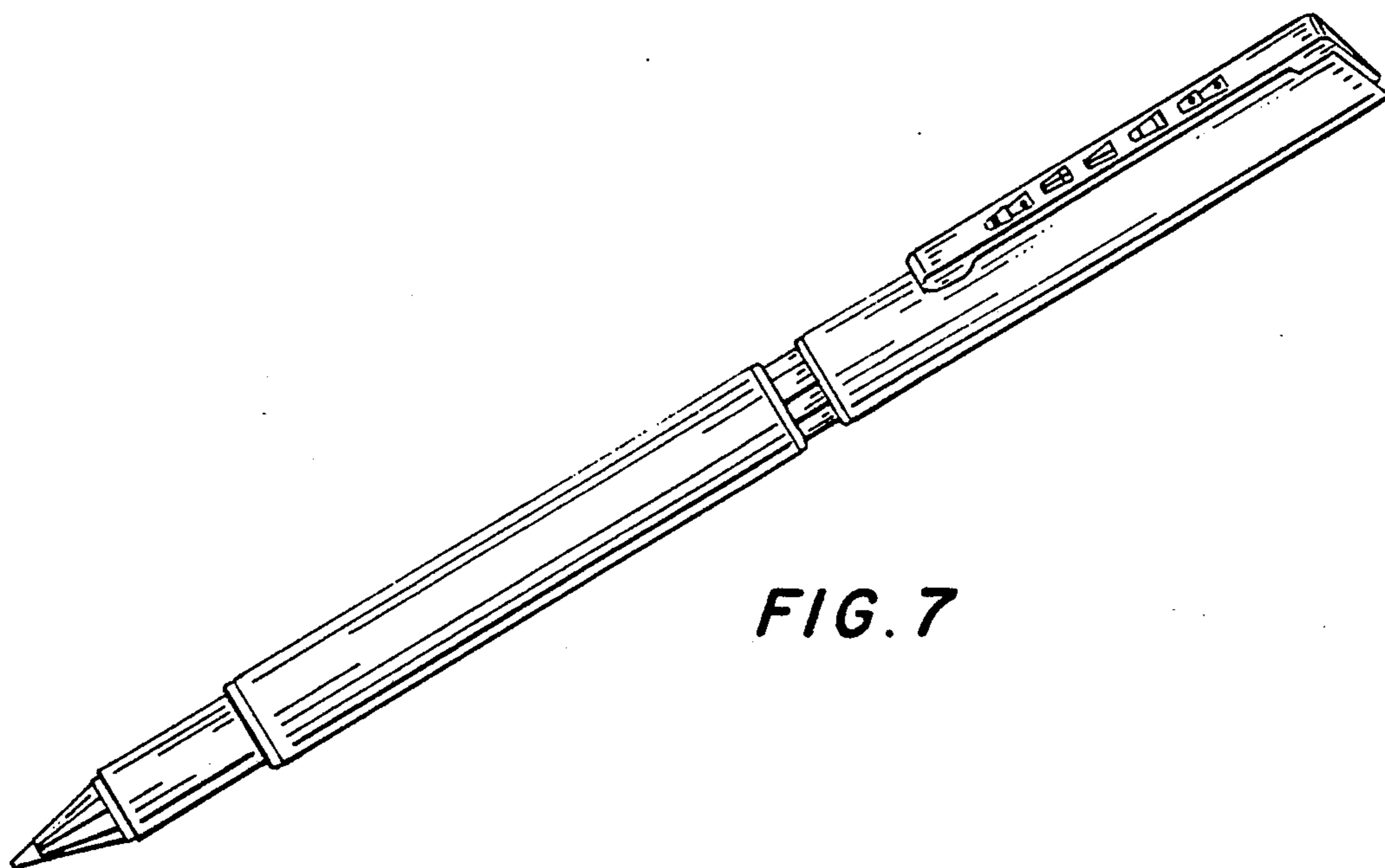


FIG. 7