



US00D331258S

United States Patent [19]

[11] Patent Number: Des. 331,258

Tarozzi

[45] Date of Patent: ** Nov. 24, 1992

- [54] PORTABLE CONTAINER FOR ARTIST'S MATERIALS
- [75] Inventor: Richard A. Tarozzi, Gales Ferry, Conn.
- [73] Assignee: Binney & Smith Inc., Easton, Pa.
- [**] Term: 14 Years
- [21] Appl. No.: 638,641
- [22] Filed: Jan. 8, 1991
- [52] U.S. Cl. D19/35; D3/30.1; D3/74; D19/75; D19/77; D34/44
- [58] Field of Search D3/30.1, 74, 75, 105; D19/65, 35, 36, 75, 77, 78, 81-85, 99, 100; D34/40, 41, 43, 44; 206/1.7-1.9, 214, 143, 224, 371, 372, 349; 220/21, 94 R

- 3,025,996 3/1962 Habicht et al. .
- 3,167,808 2/1965 Lindenberg et al. .
- 3,273,700 9/1966 Moreau et al. .
- 3,281,010 10/1966 Moore et al. .
- 3,339,796 9/1967 Struble .
- 3,734,336 5/1973 Rankow et al. .
- 3,891,084 6/1975 Garcia .
- 4,058,210 11/1977 Mitchell .
- 4,294,348 10/1981 Hastings .
- 4,714,158 12/1987 Oltman et al. .
- 4,720,021 1/1988 Byrns .
- 4,901,846 2/1990 Lehman .

[56] **References Cited**

U.S. PATENT DOCUMENTS

- D. 28,416 3/1898 Akin D19/77
- D. 156,874 1/1950 Emmons .
- D. 184,597 3/1959 Berman .
- D. 250,972 1/1979 Rodin et al. .
- D. 266,207 9/1982 Kirchberger D3/74 X
- D. 279,618 7/1985 Walker D34/44
- D. 284,235 6/1986 Zinfer-Chahin D3/30.1 X
- D. 295,106 4/1988 Hays et al. D34/43
- D. 307,967 5/1990 Lanius D34/40
- D. 308,699 6/1990 Ancona et al. D19/77 X
- D. 319,074 8/1991 Robinson D19/35 X
- 307,768 11/1884 Heysinger .
- 424,603 4/1890 Favor .
- 468,639 2/1892 Bryant .
- 617,406 1/1899 Pinchin .
- 2,458,133 1/1949 Behrens .
- 2,460,915 2/1949 Allen .
- 2,740,517 4/1956 Evans .
- 2,777,597 1/1957 Ruff .
- 2,826,332 3/1958 Hudson .

OTHER PUBLICATIONS

Various catalog pages ADCOM, pp. 20, 125.
Various catalog pages, Visual Systems, pp. 61, 229, 285, 288, and 349.

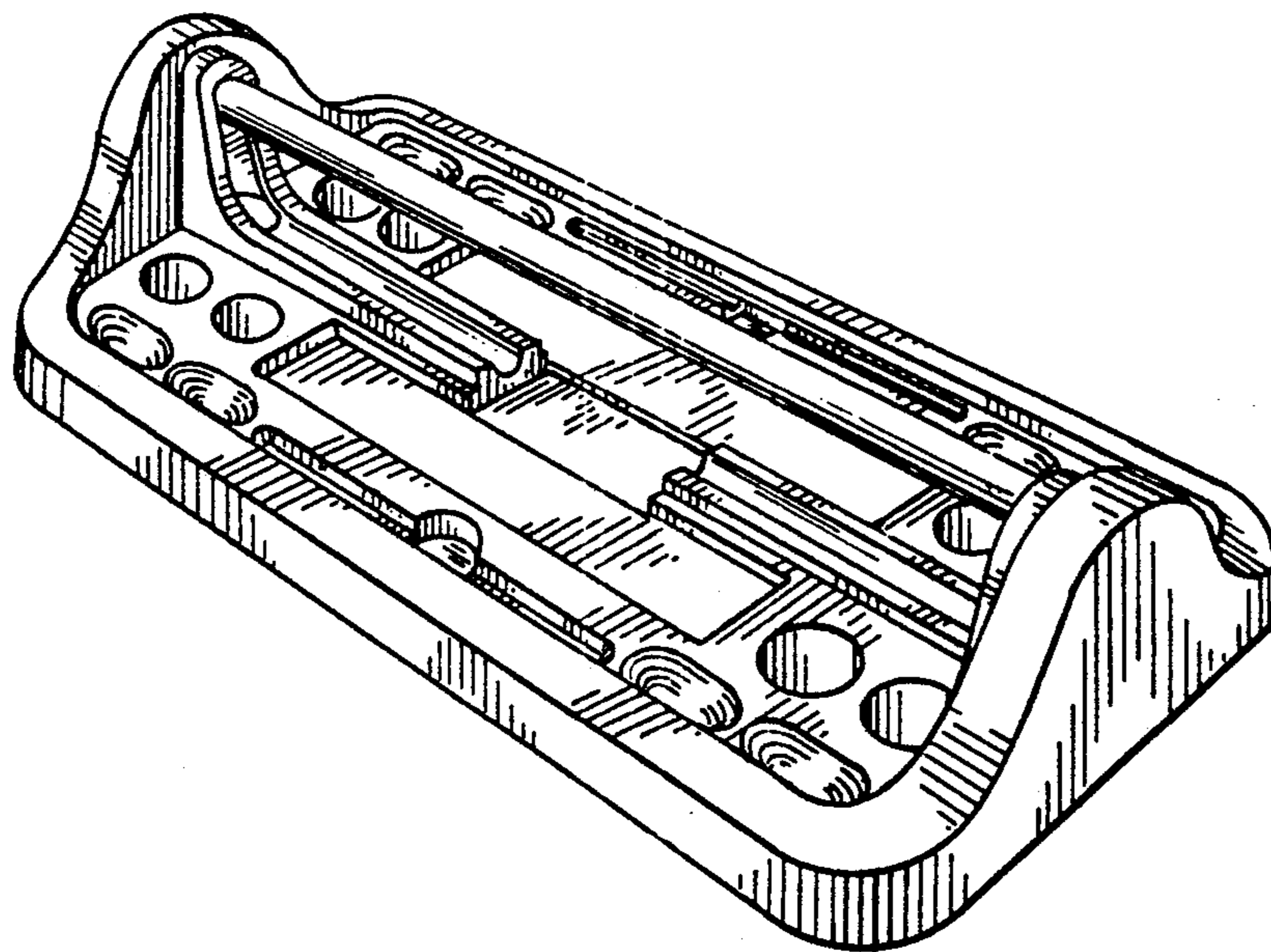
Primary Examiner—Nelson C. Holtje
Assistant Examiner—Martha Thompson
Attorney, Agent, or Firm—Leydig, Voit & Mayer

[57] **CLAIM**

The ornamental design for a portable container for artist's materials, as shown and described.

DESCRIPTION

FIG. 1 is a top perspective view of a portable container for artist's materials showing my new design with the carrying handle in a raised position; FIG. 2 is a top perspective view with the carrying handle in a stored position; FIG. 3 is an end elevational view, the opposite end being a mirror image thereof; FIG. 4 is a top plan view thereof; FIG. 5 is a front elevational view of FIG. 1, the rear view being a mirror image thereof; and, FIG. 6 is a bottom plan view thereof. FIGS. 3 through 6 have been drawn to an enlarged scale with respect to FIGS. 1 and 2.



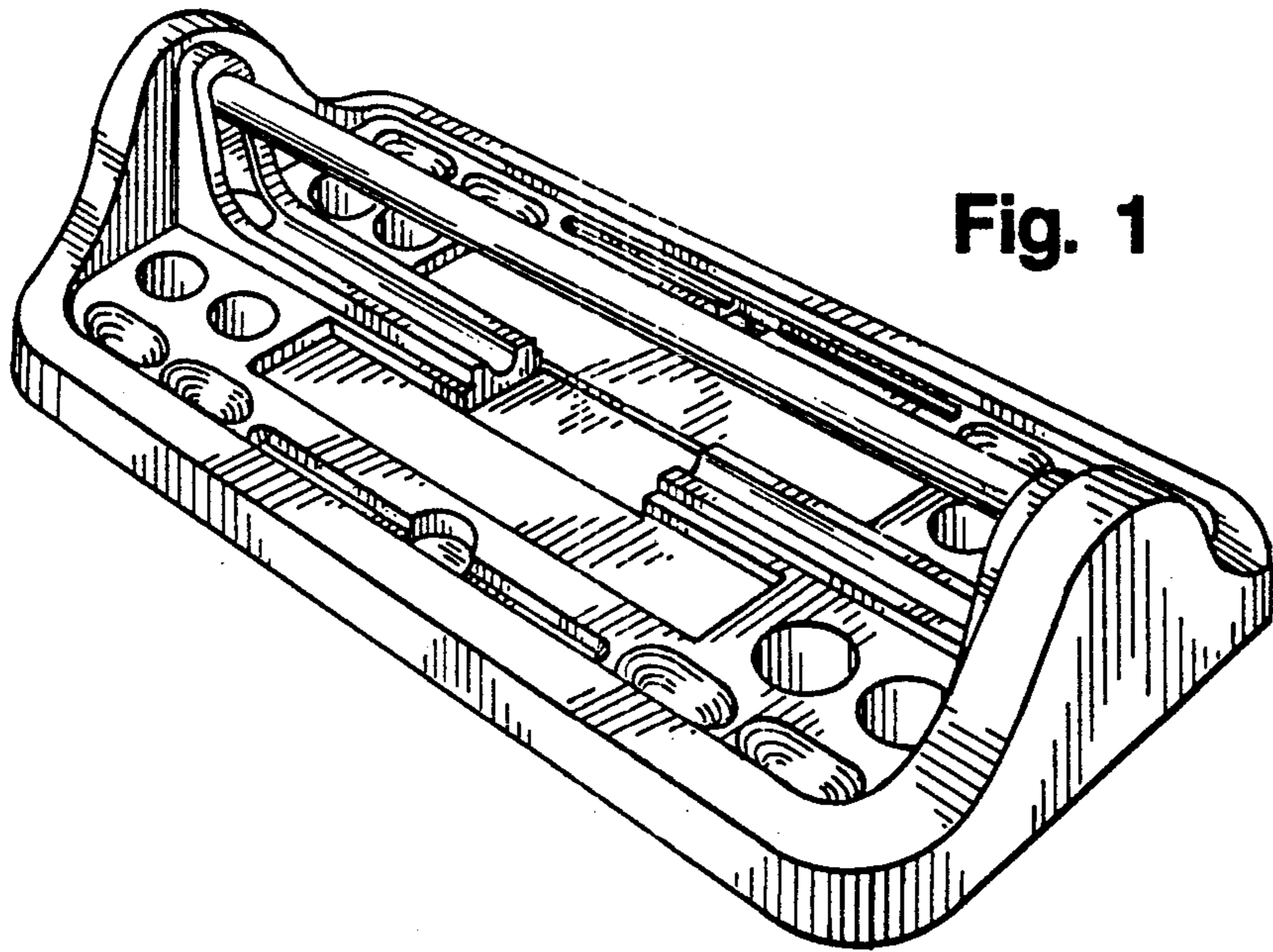


Fig. 1

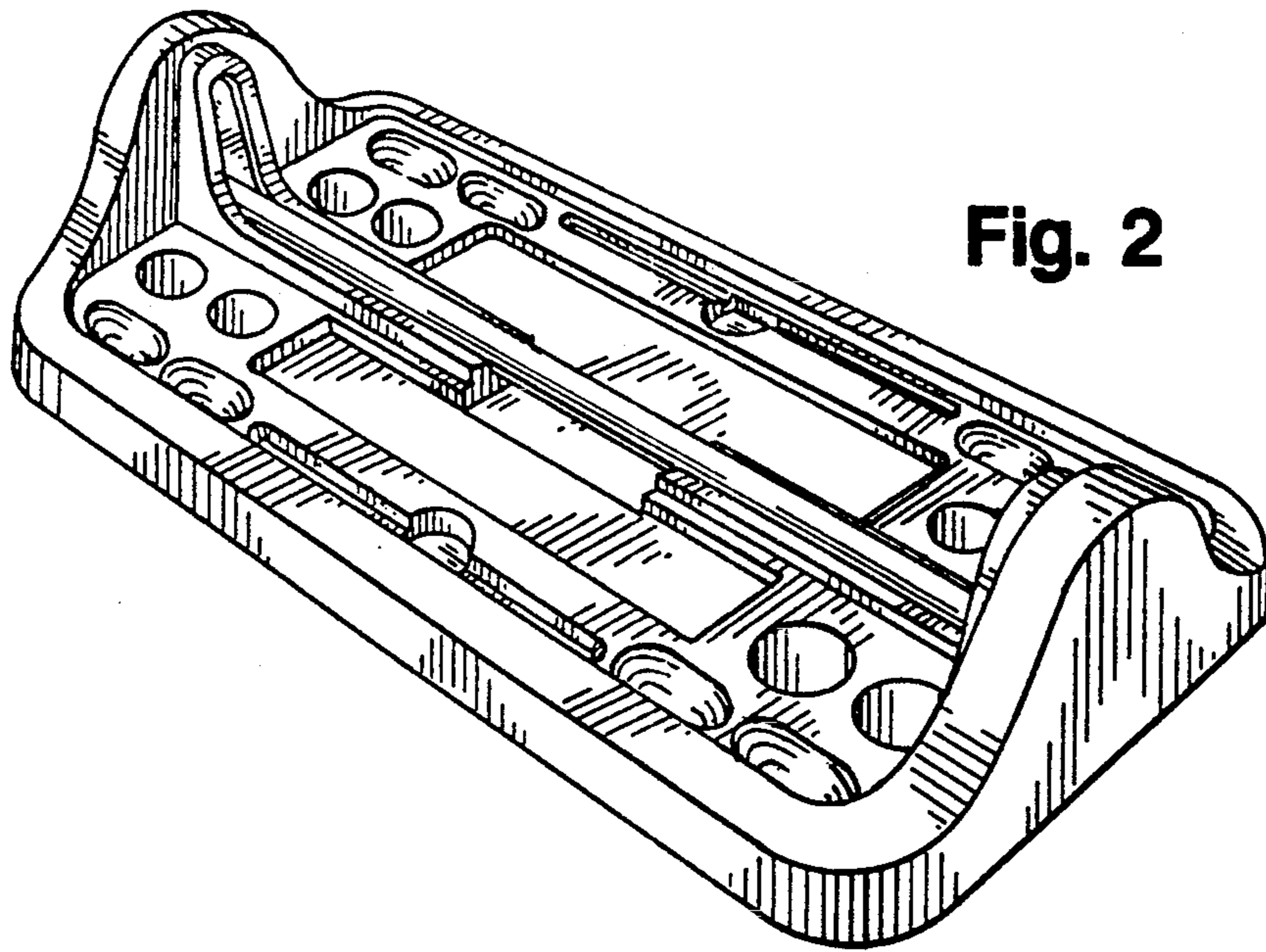


Fig. 2

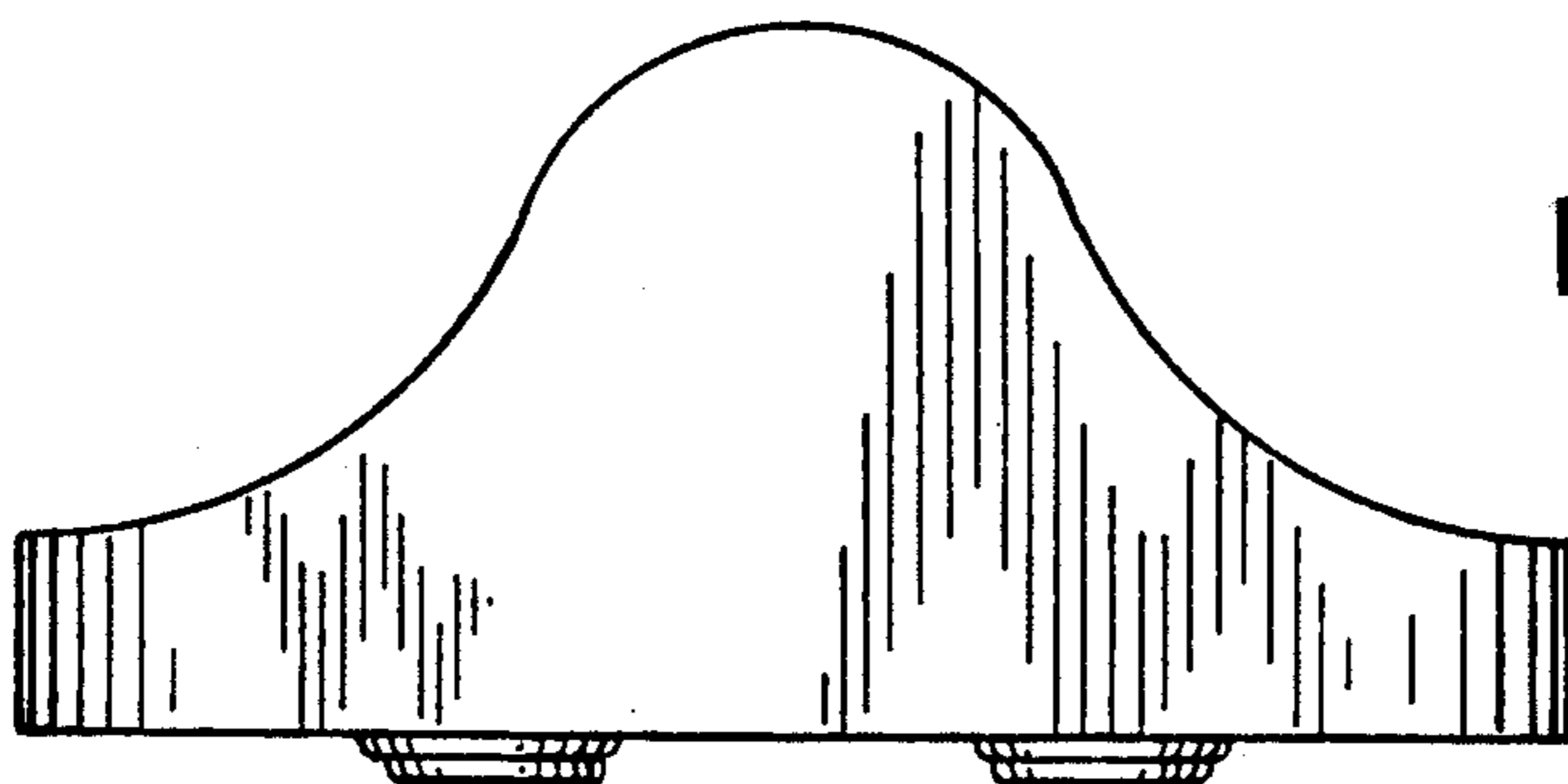


Fig. 3

Fig. 4

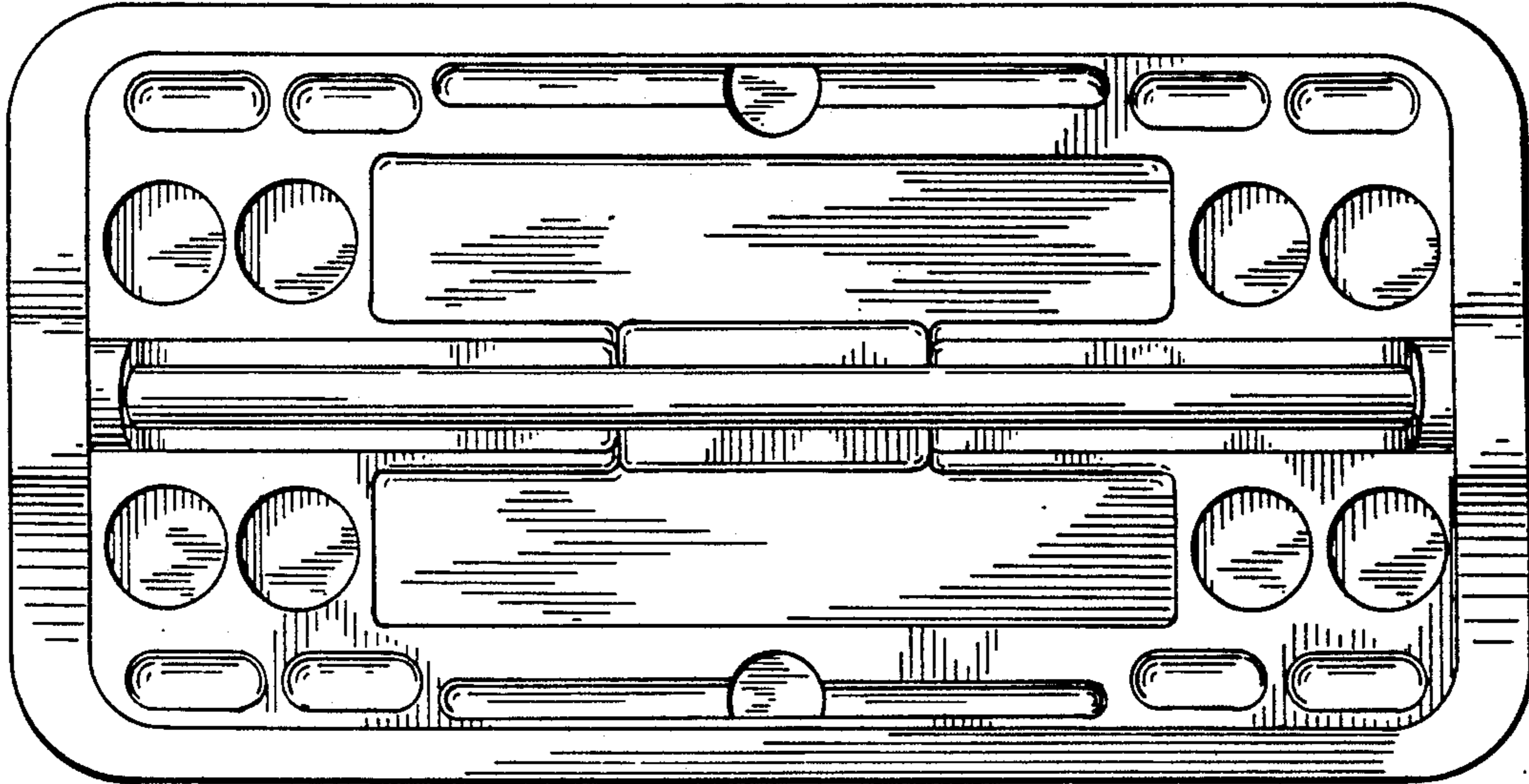


Fig. 5

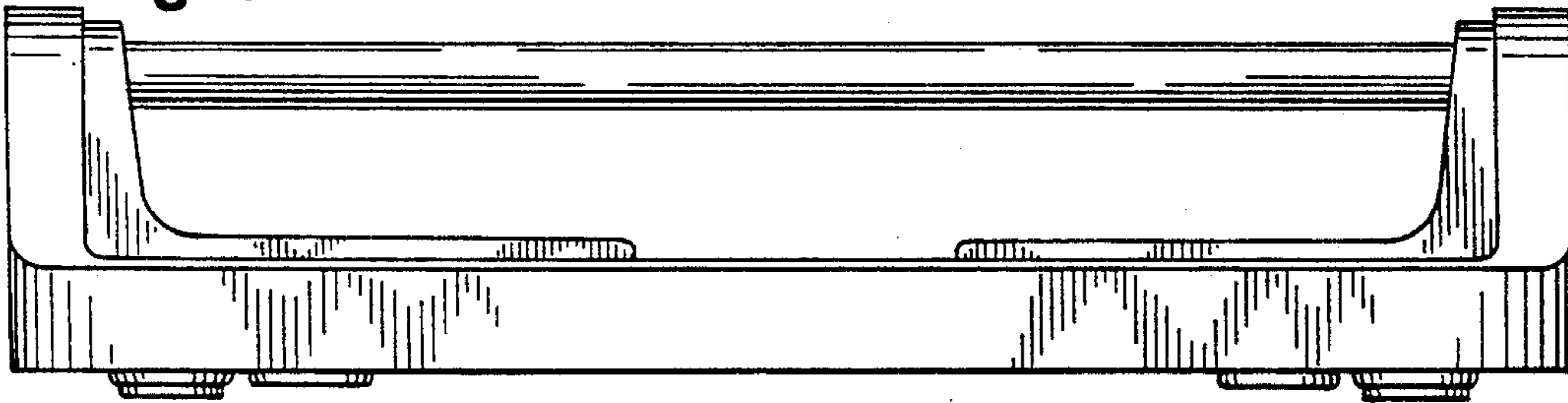


Fig. 6

