



US00D331256S

United States Patent [19]

[11] Patent Number: Des. 331,256

Fukuda

[45] Date of Patent: ** Nov. 24, 1992

- [54] PAPER FEEDER FOR PRINTER
- [75] Inventor: Kouki Fukuda, Nara, Japan
- [73] Assignee: Sharp Kabushiki Kaisha, Osaka, Japan
- [**] Term: 14 Years
- [21] Appl. No.: 718,837
- [22] Filed: Jun. 21, 1991

- 4,674,735 6/1987 DuBois et al. D18/49
- 4,982,945 1/1991 Marasco et al. 271/207
- 5,085,422 2/1992 Sagara 271/145
- 5,092,575 3/1992 Ramsey 271/145

FOREIGN PATENT DOCUMENTS

- 0237026 9/1987 European Pat. Off. 271/145

Primary Examiner—A. Hugo Word
 Assistant Examiner—CathyAnne MacCormac
 Attorney, Agent, or Firm—Nixon & Vanderhye

[30] Foreign Application Priority Data

- Dec. 21, 1990 [JP] Japan 2-42705
- [52] U.S. Cl. D18/46; D18/56
- [58] Field of Search D18/44, 46, 47, 48, D18/49, 56; 400/619, 613, 613.2, 624-625, 629, 691; 226/74, 196; 355/308, 309, 321, 324; 271/145, 162-164, 207; 312/208; 211/50

[57] CLAIM

The ornamental design for a paper feeder for printer, as shown and described.

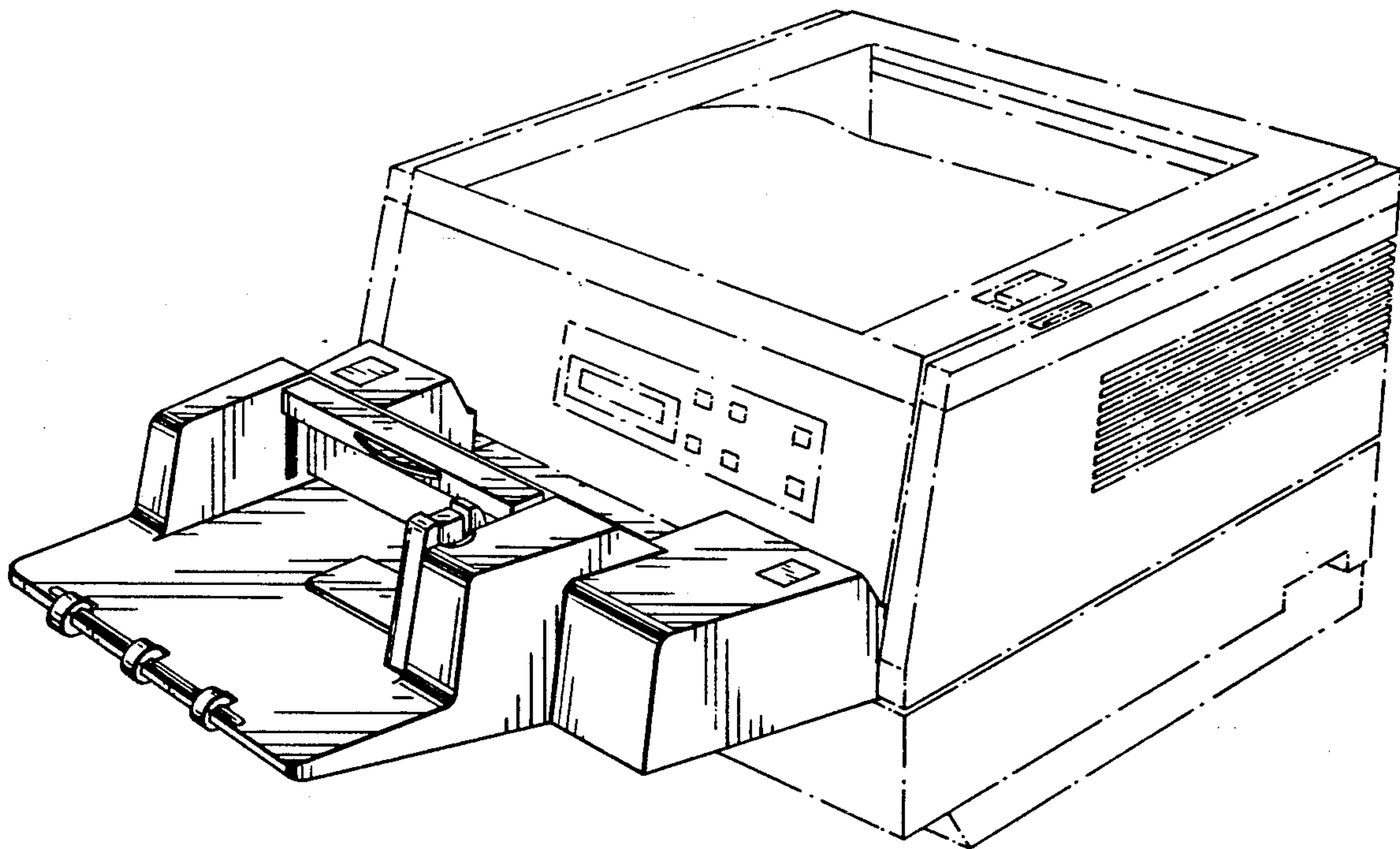
DESCRIPTION

FIG. 1 is a top, front and right side perspective view of a paper feeder for printer showing my new design, the broken lines are for purposes of illustration only and form no part of the claimed design;
 FIG. 2 is a top plan view thereof;
 FIG. 3 is a front elevational view thereof;
 FIG. 4 is a right side elevational view thereof with the left side being the mirror image of the right side shown;
 FIG. 5 is a rear elevational view thereof; and,
 FIG. 6 is a bottom plan view thereof.

[56] References Cited

U.S. PATENT DOCUMENTS

- D. 304,600 11/1989 Takano D18/48
- D. 308,987 7/1990 Matsui et al. D18/48
- D. 310,843 9/1990 Kosako et al. D18/48
- D. 317,173 5/1991 Kojima et al. D18/49



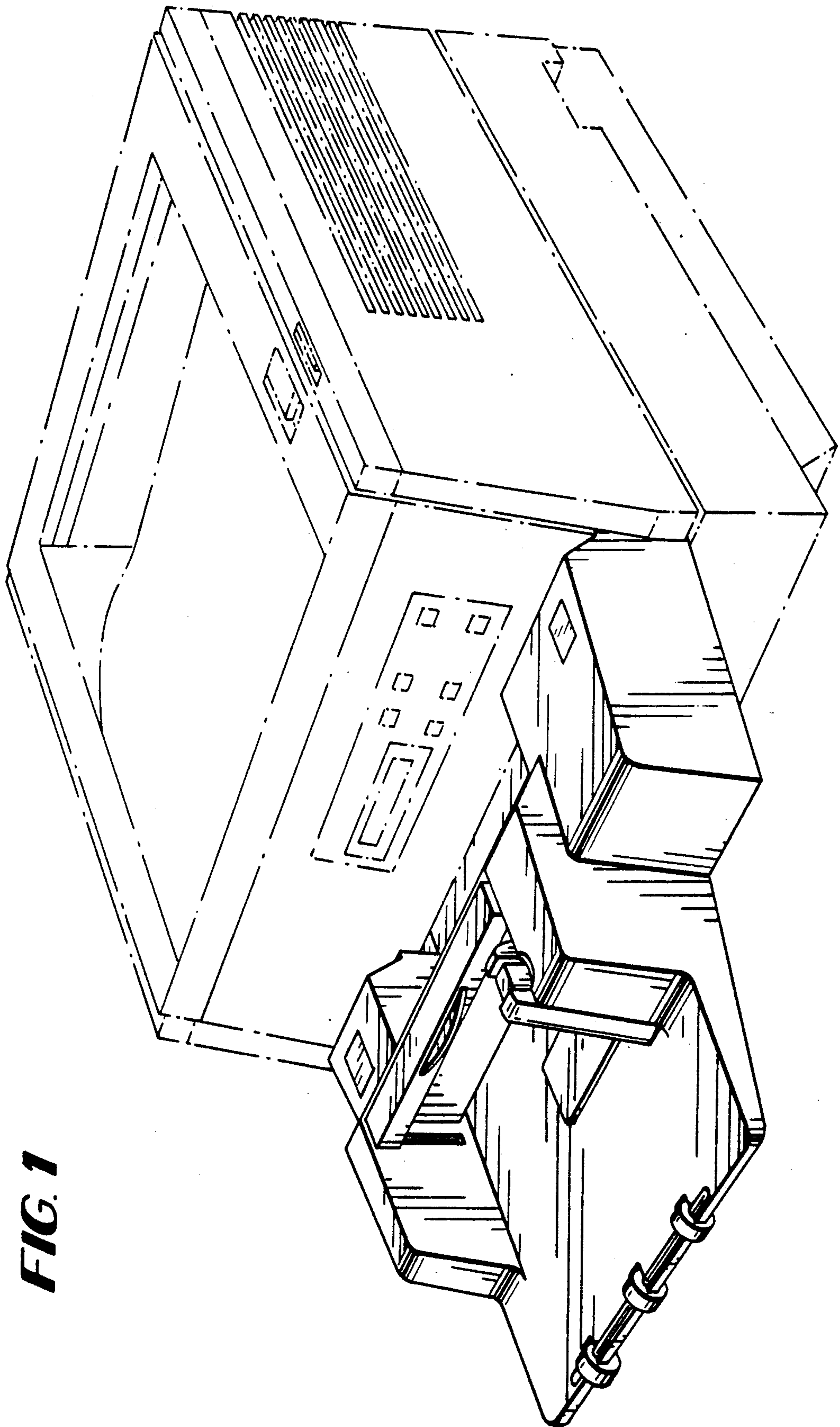


FIG. 1

FIG. 2

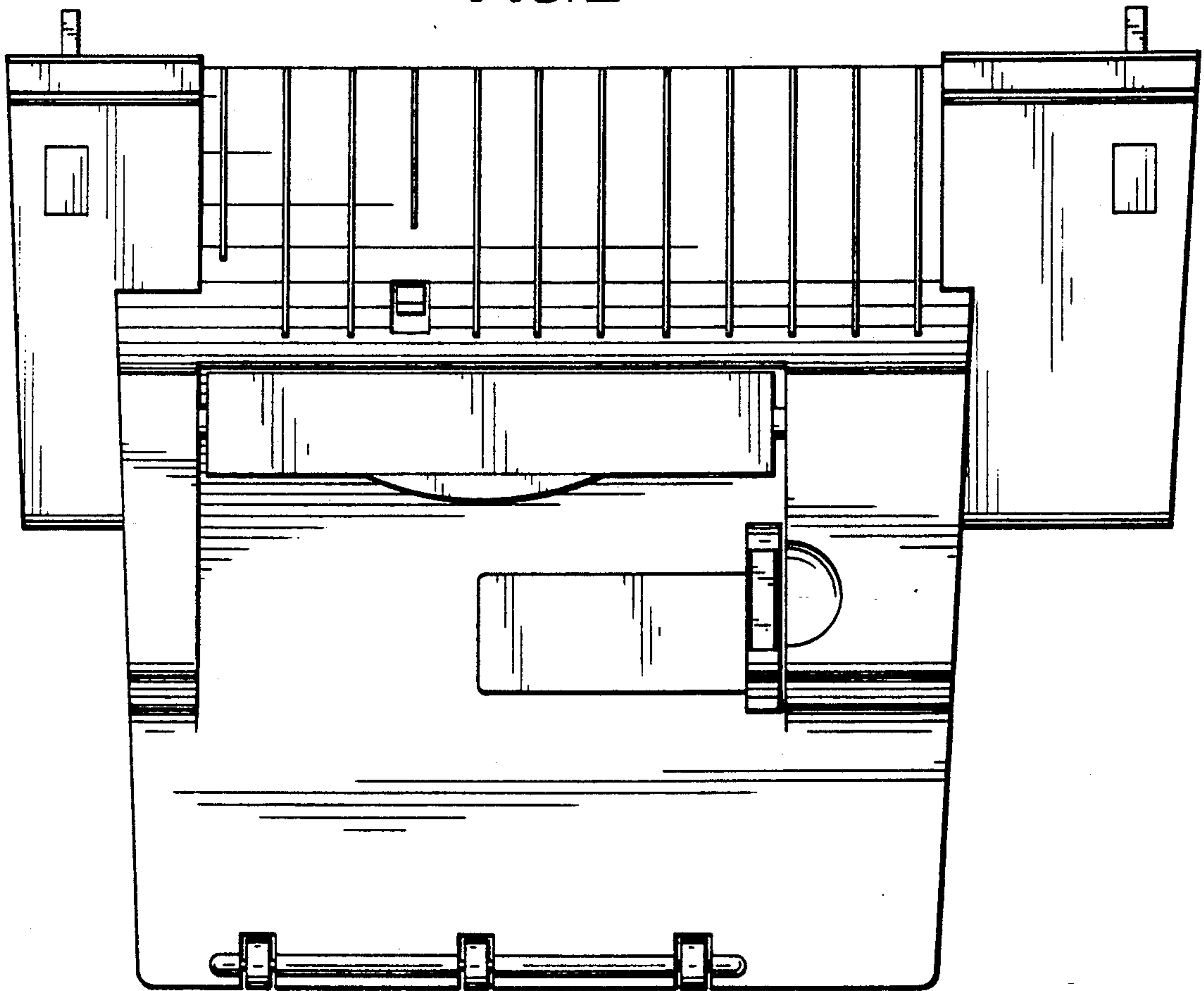


FIG. 3

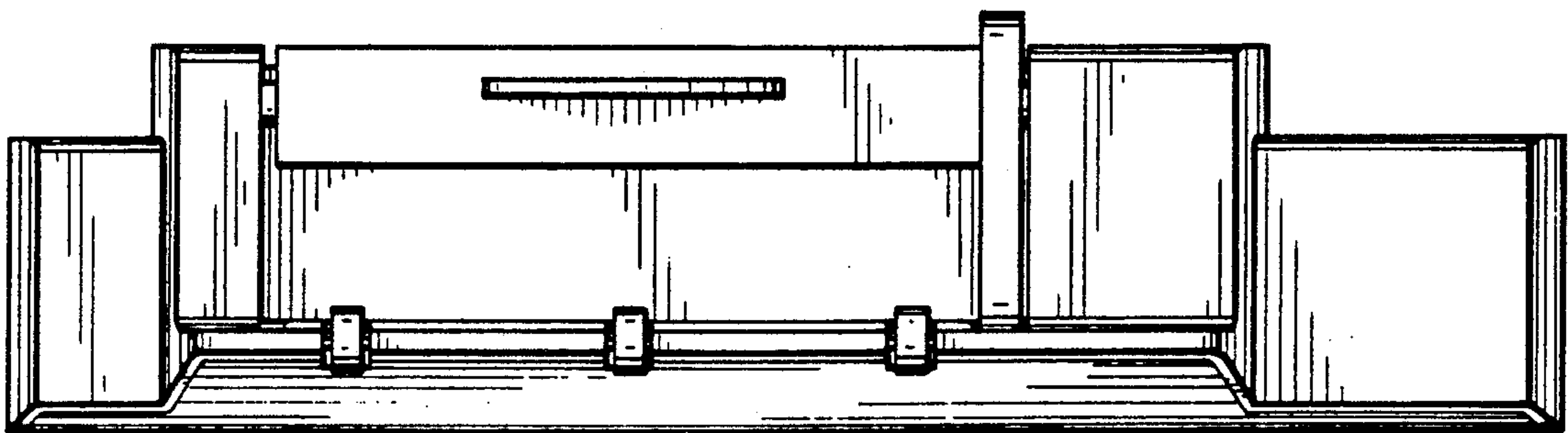


FIG. 4

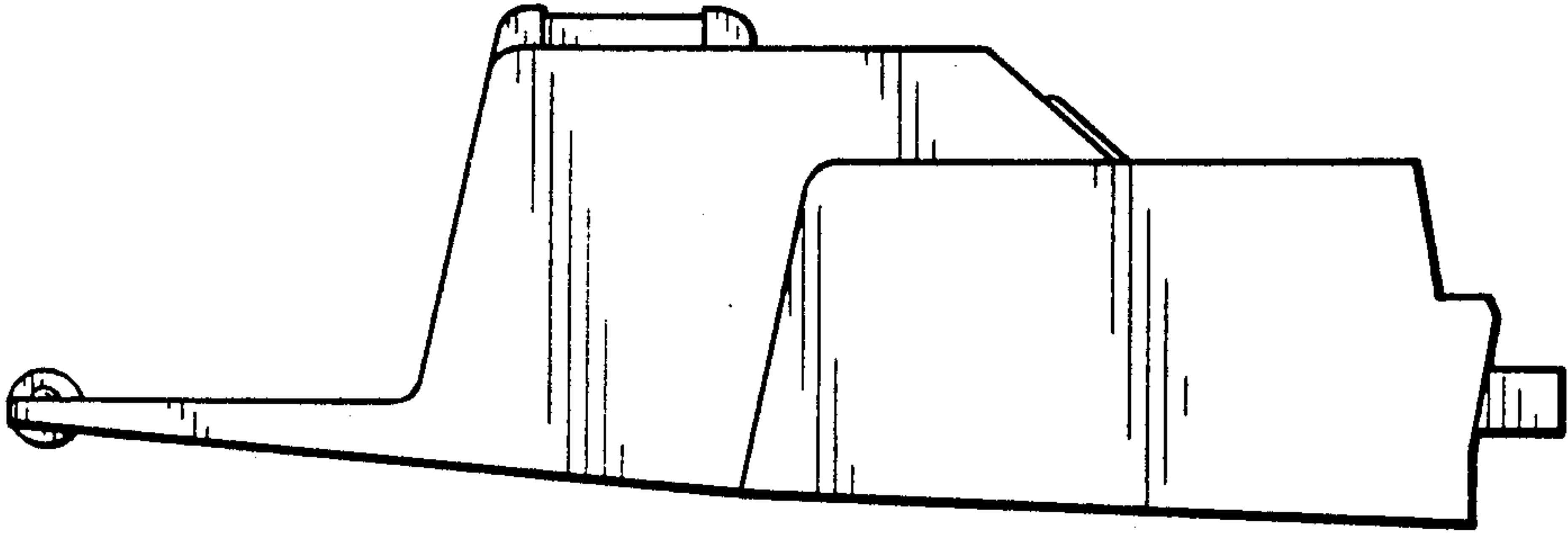


FIG. 5

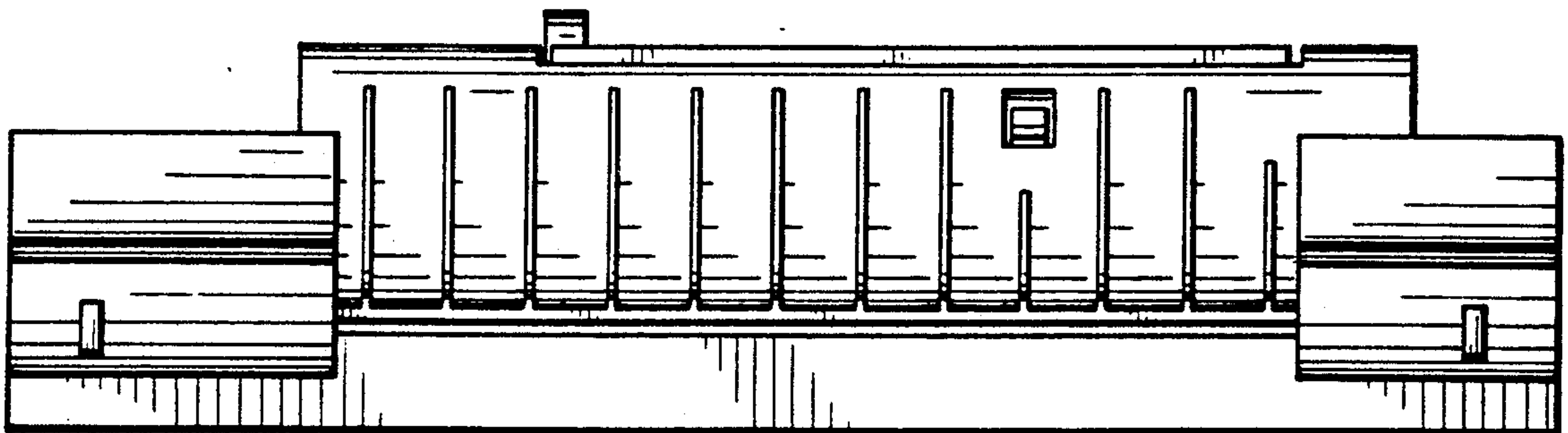


FIG. 6

