



US00D331255S

United States Patent [19]

[11] Patent Number: **Des. 331,255**

Hiroki

[45] Date of Patent: **** Nov. 24, 1992**

[54] ELECTRONIC COPYING MACHINE

[75] Inventor: **Shinichi Hiroki**, Tokyo, Japan

[73] Assignee: **Kabushiki Kaisha Toshiba**, Kawasaki, Japan

[**] Term: **14 Years**

[21] Appl. No.: **579,296**

[22] Filed: **Sep. 7, 1990**

[30] Foreign Application Priority Data

Mar. 8, 1990 [JP] Japan 7342

[52] U.S. Cl. **D18/36; D18/39**

[58] Field of Search **D18/36-39; D14/111, 112, 116, 118; 355/200, 210, 231, 233-236, 245, 326-328**

[56] References Cited

U.S. PATENT DOCUMENTS

D. 263,146	2/1982	Yamamoto	D18/37
D. 270,541	9/1983	Matsuzaka et al.	D18/36
D. 276,051	10/1984	Kosako et al.	D18/36
D. 280,104	8/1985	Sutoh et al.	D18/36
D. 280,634	9/1985	Imada et al.	D18/37
D. 285,451	9/1986	Kosako et al.	D18/36
D. 292,004	9/1987	Fukuda	D18/36
D. 315,574	3/1991	Komada et al.	D18/37

FOREIGN PATENT DOCUMENTS

613730 4/1985 Japan .
744932 6/1988 Japan .

OTHER PUBLICATIONS

ALF Auto Line Feeder Publication/Oct. 27, 1980 (Brochure).
Sharp SF-7200/May 22, 1985 (Brochure).

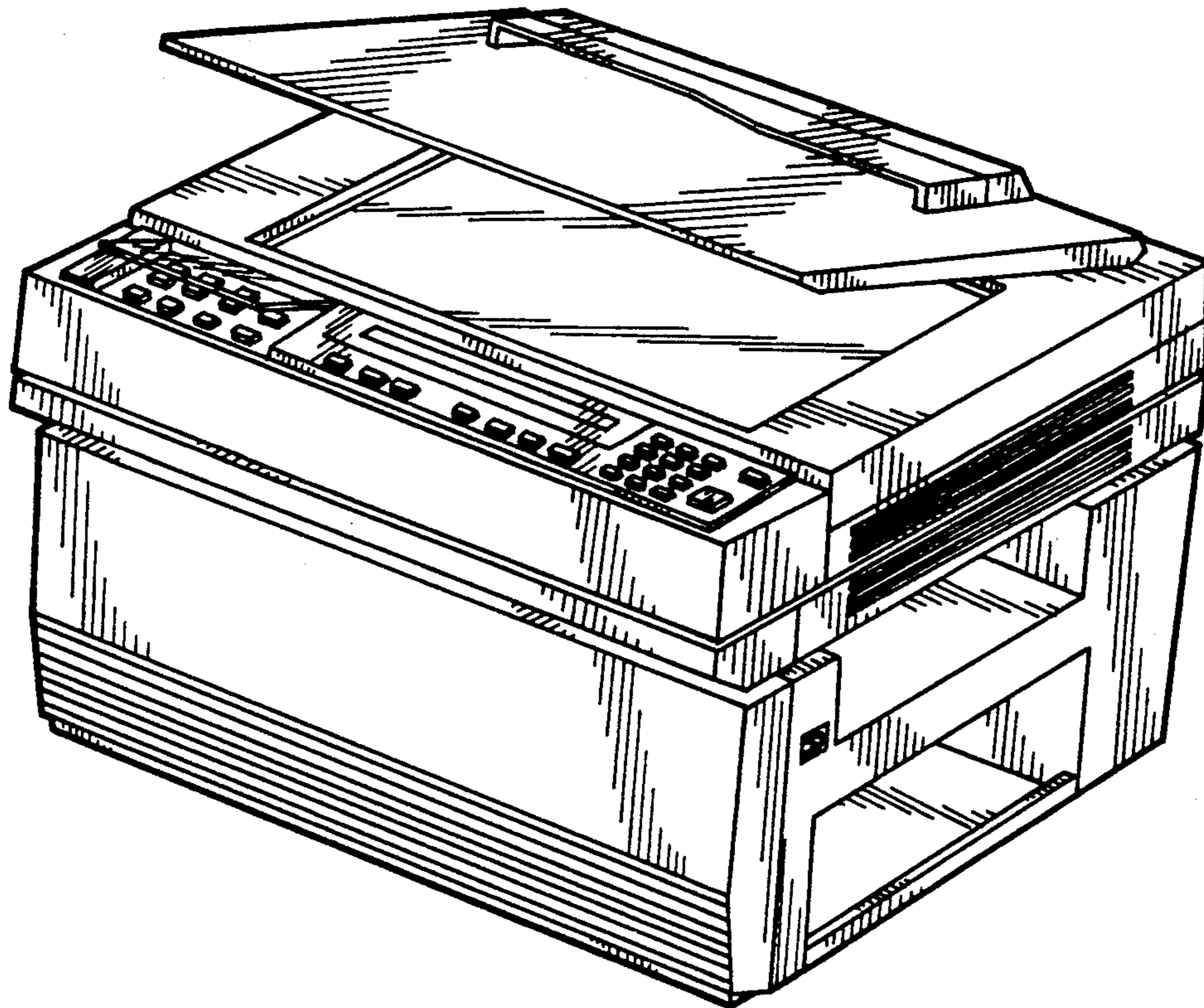
Primary Examiner—Donald P. Walsh
Assistant Examiner—Caron D. Veynar
Attorney, Agent, or Firm—Oblon, Spivak, McClelland, Maier & Neustadt

[57] CLAIM

The ornamental design for an electronic copying machine, as shown and described.

DESCRIPTION

FIG. 1 is a front elevational view of an electronic copying machine showing my new design;
FIG. 2 is a rear elevational view thereof;
FIG. 3 is a right side elevational view thereof;
FIG. 4 is a left side elevational view thereof;
FIG. 5 is a top plan view thereof;
FIG. 6 is a bottom plan view thereof; and,
FIG. 7 is a top, front and right side perspective view thereof with the platen cover open and the control panel cover open.



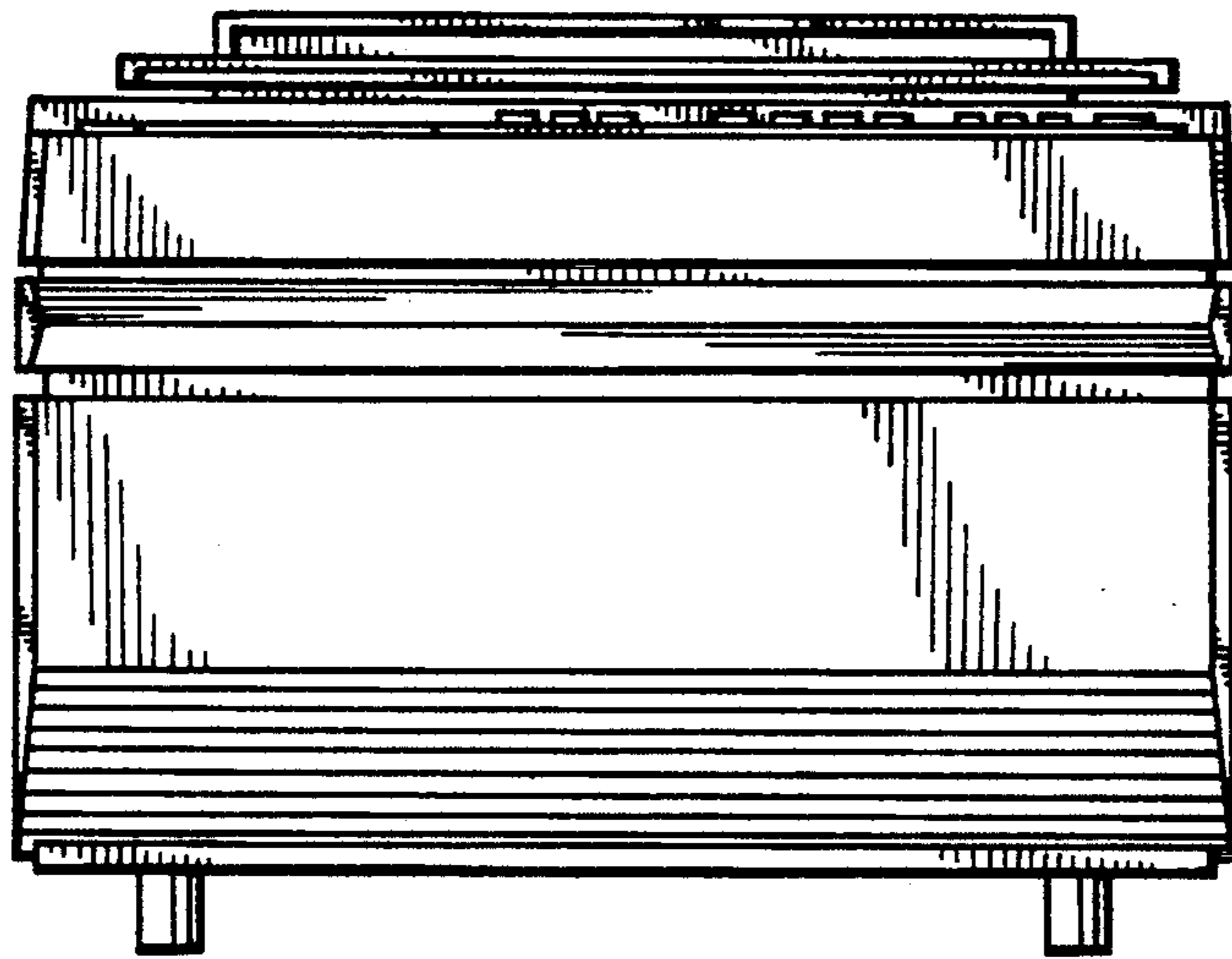


FIG. 1

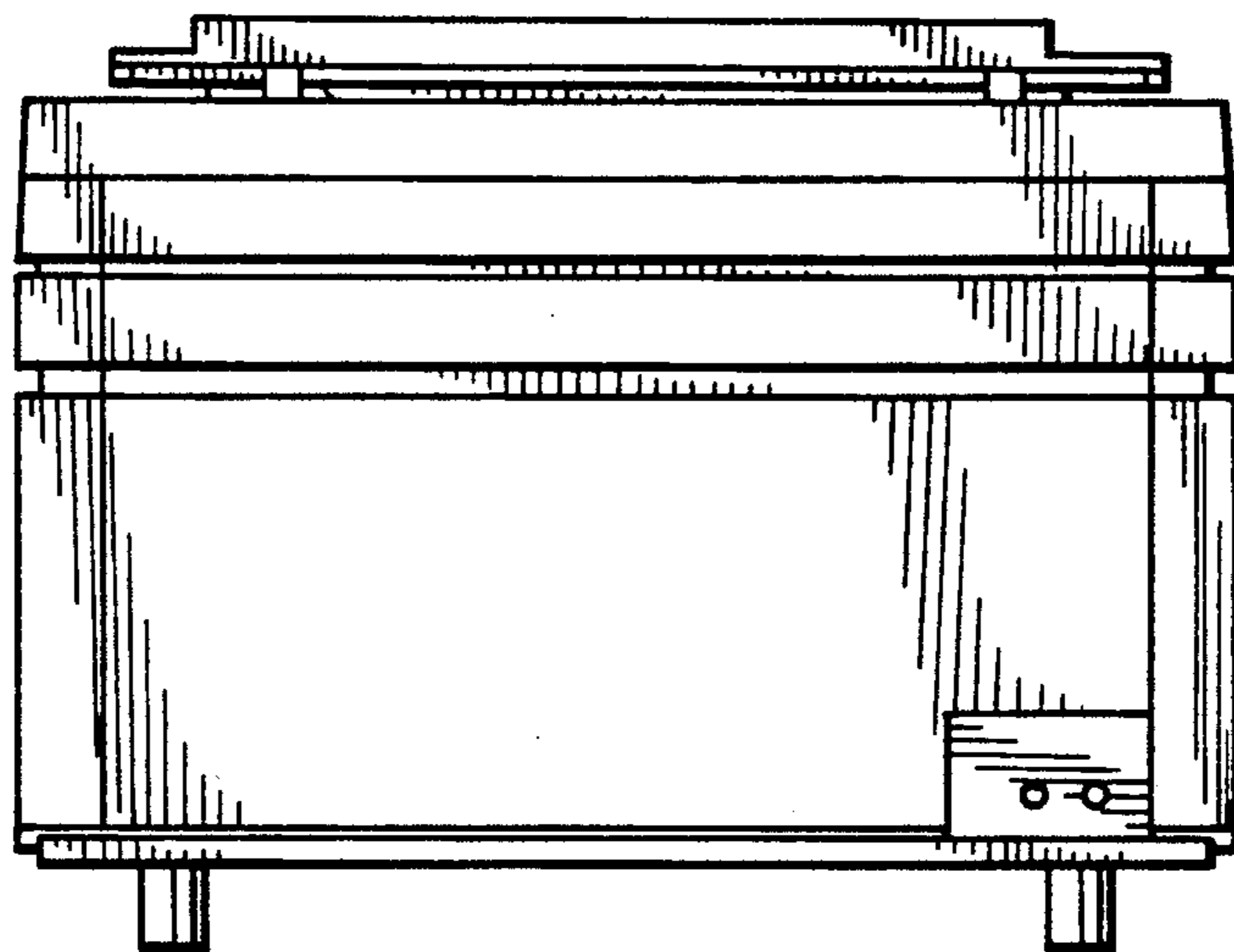


FIG. 2

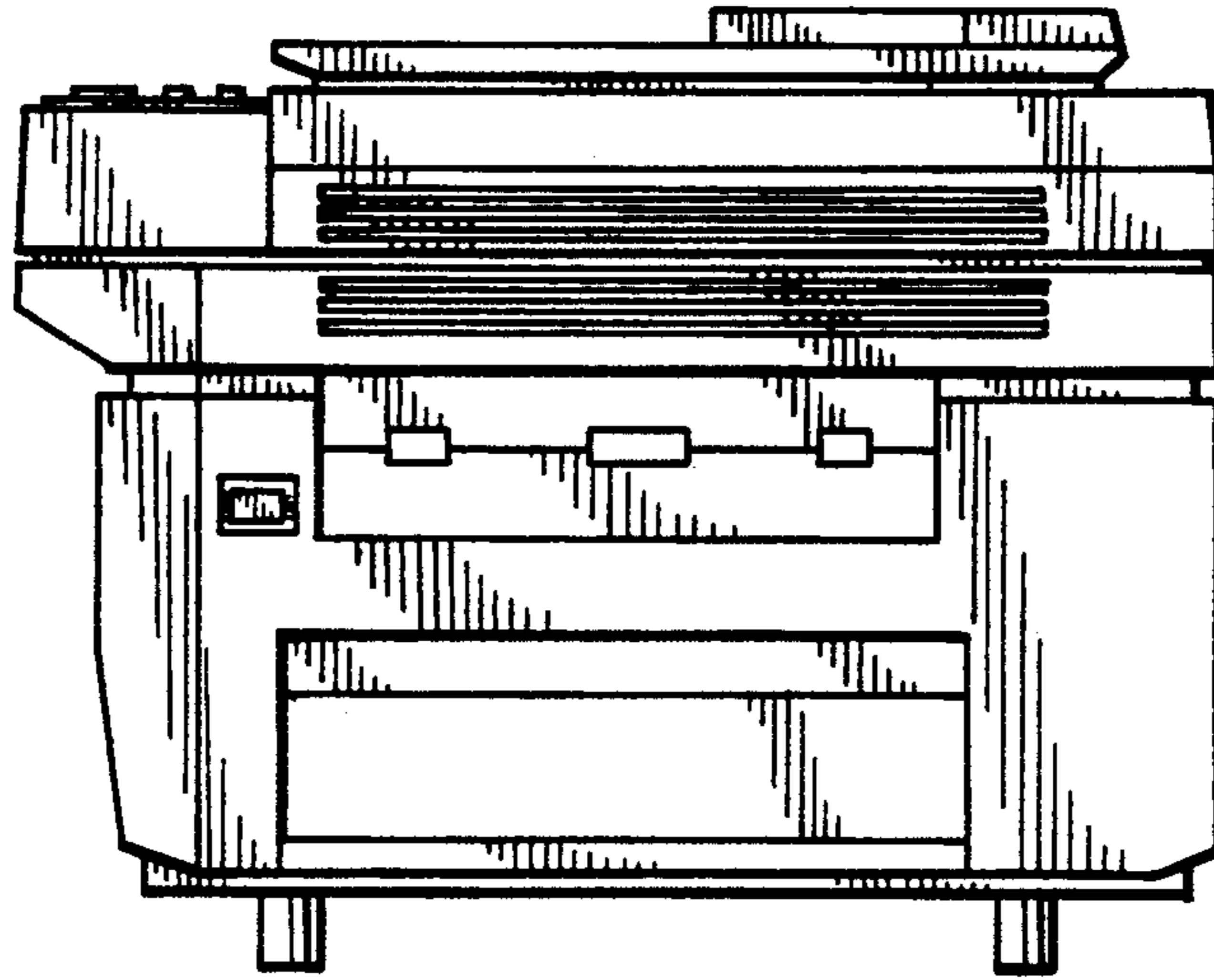


FIG. 3

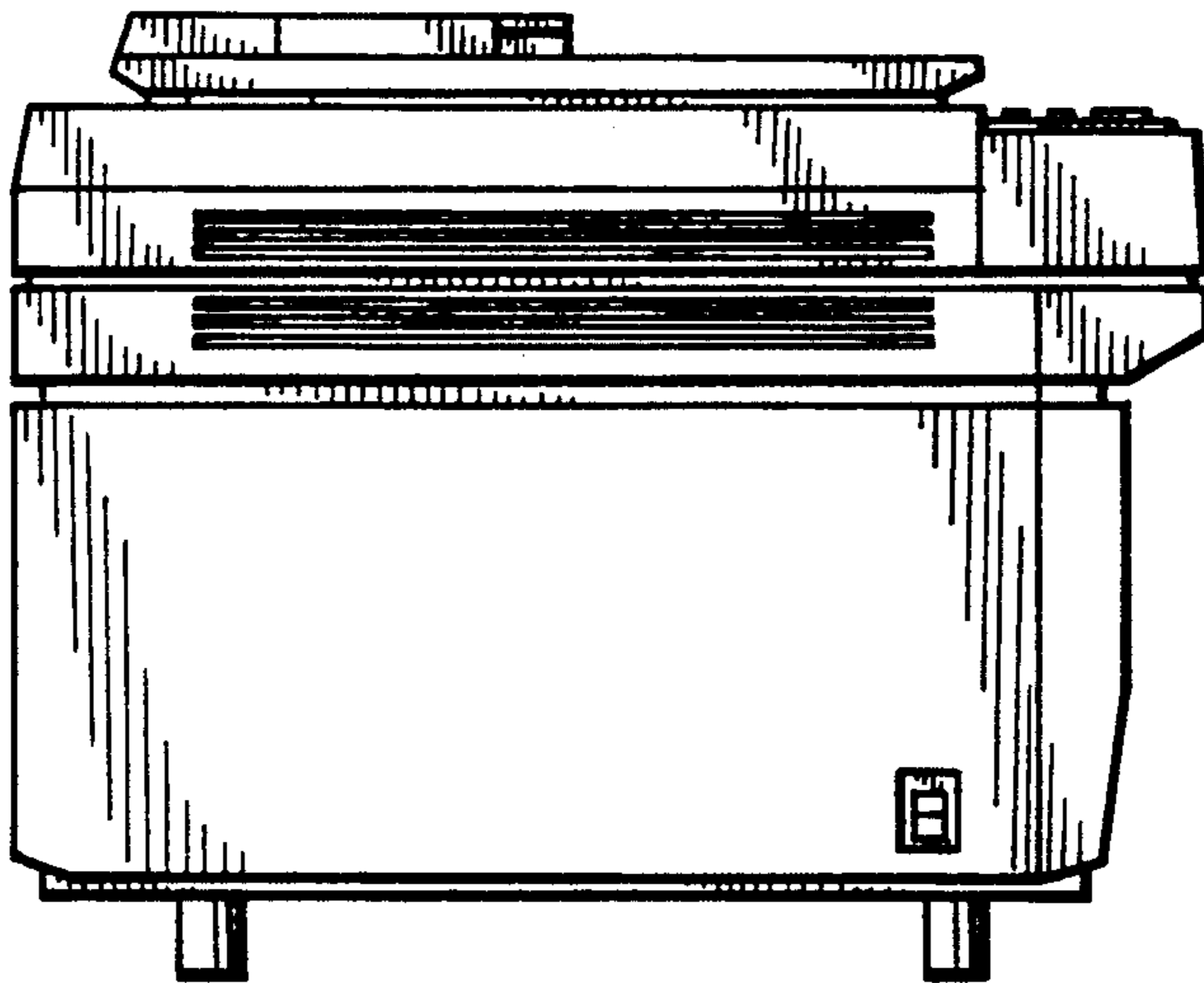


FIG. 4

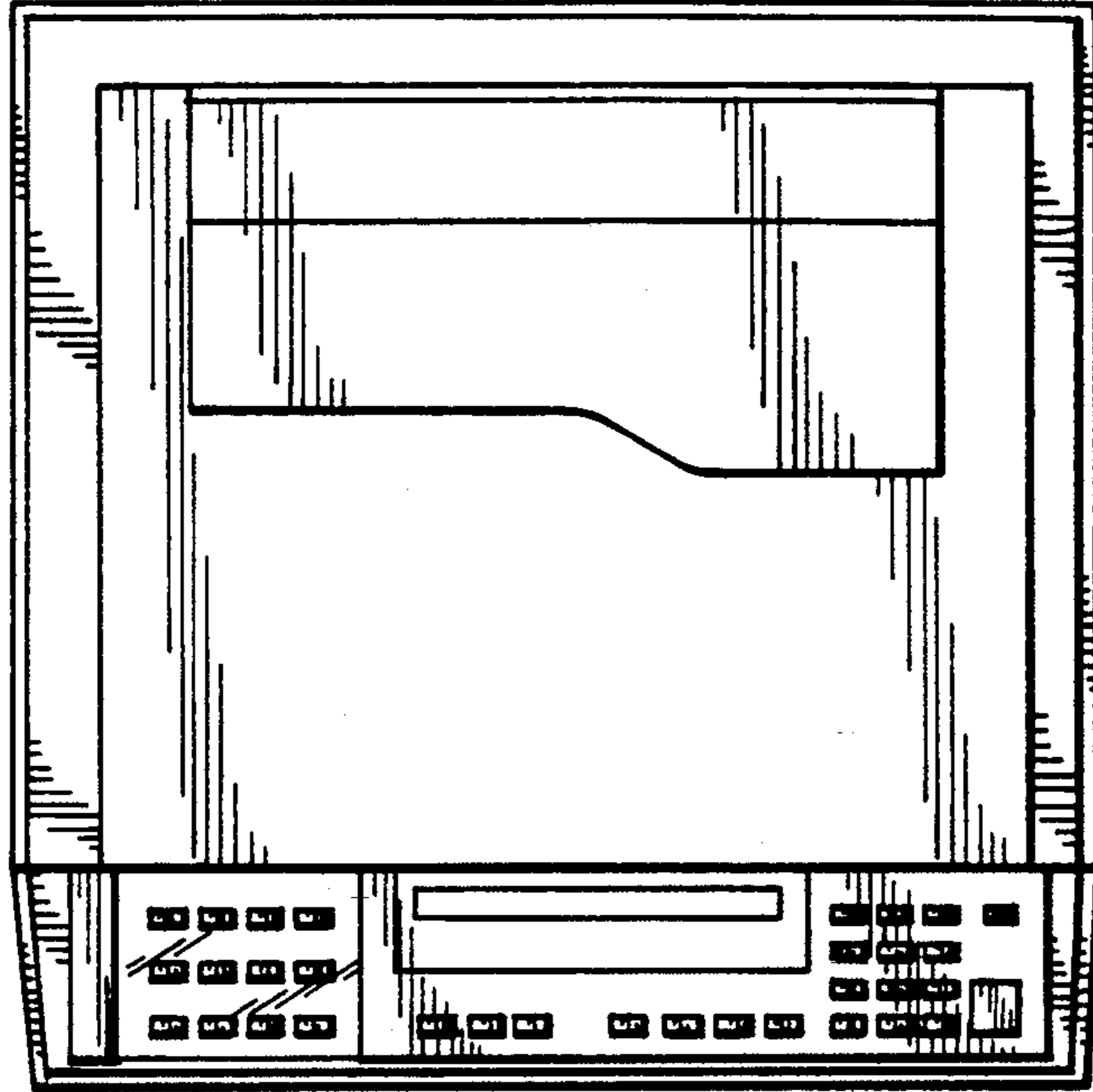


FIG. 5

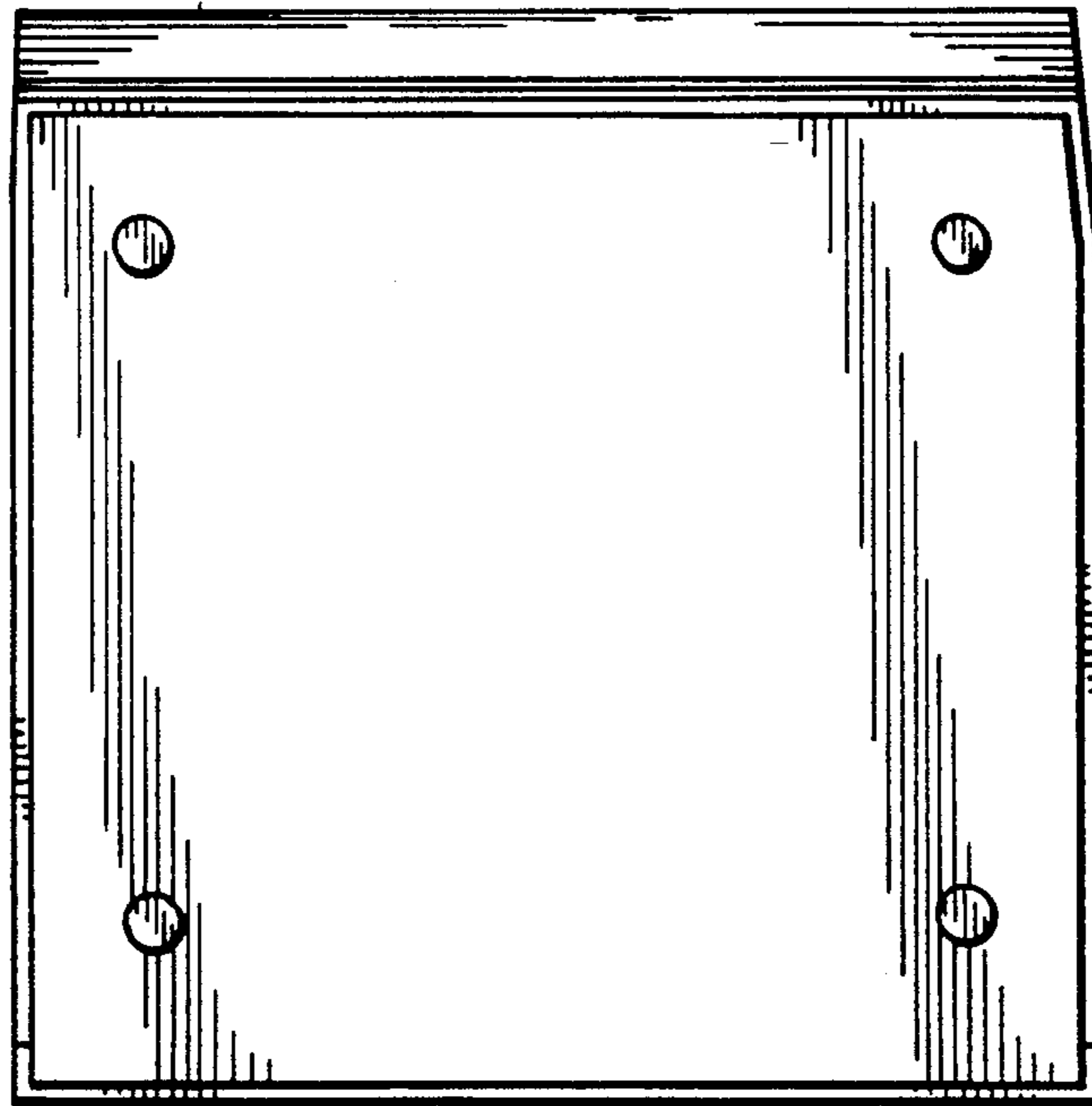


FIG. 6

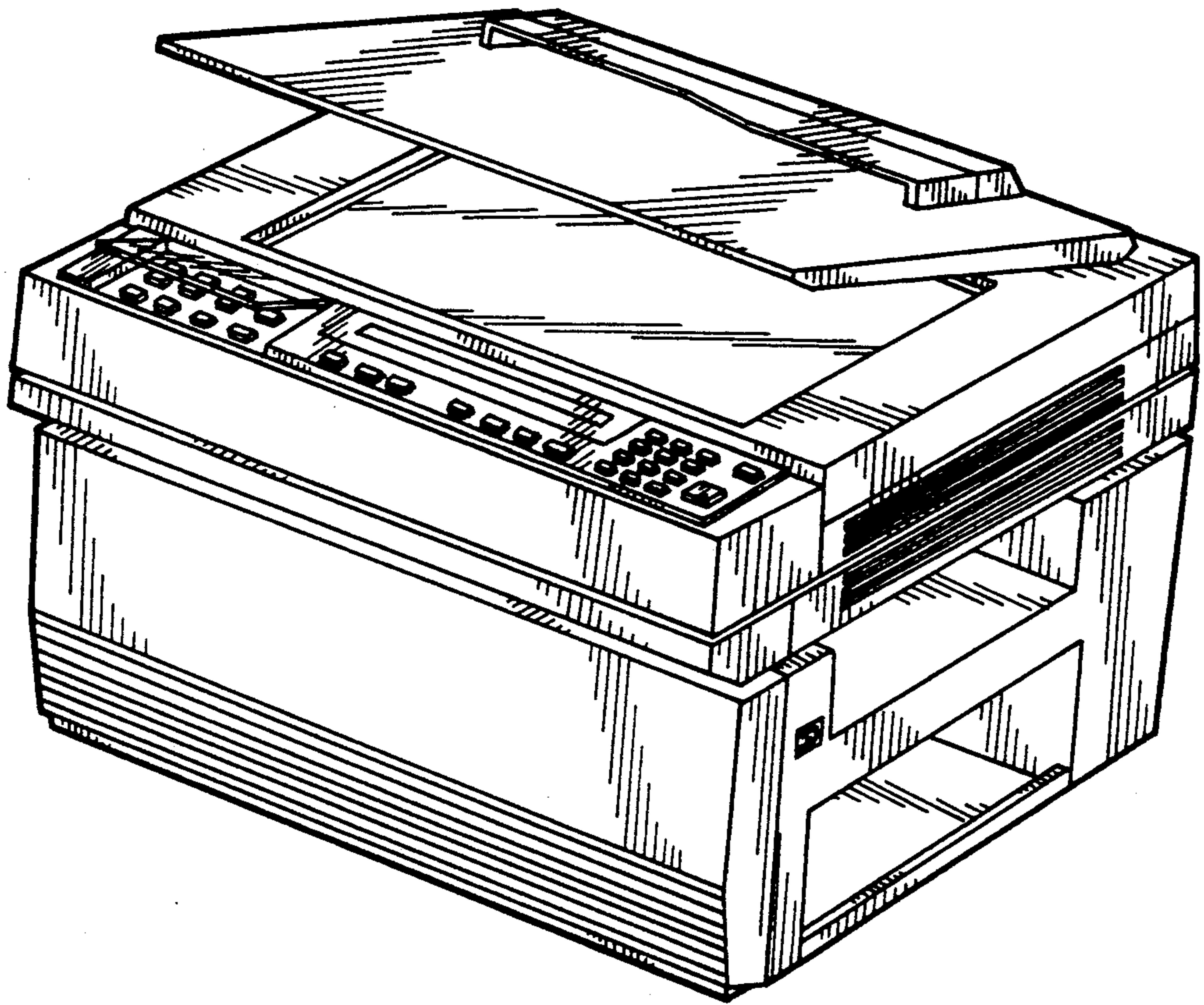


FIG. 7