



US00D331247S

# United States Patent [19]

[11] Patent Number: **Des. 331,247**

Okuda

[45] Date of Patent: **\*\* Nov. 24, 1992**

[54] **NUMERICALLY CONTROLLED DRILLING MACHINE**

4,601,094	7/1986	Myers .....	483/3
4,742,609	5/1988	Neumann .....	483/3
4,831,714	5/1989	Badel et al. ....	483/3

[75] Inventor: **Shinji Okuda, Oshino, Japan**

*Primary Examiner*—Donal P. Walsh  
*Assistant Examiner*—Antonio D. Davis  
*Attorney, Agent, or Firm*—Staas & Halsey

[73] Assignee: **Fanuc Ltd., Minamitsuru, Japan**

[\*\*] Term: **14 Years**

[21] Appl. No.: **661,088**

[57] **CLAIM**

[22] Filed: **Feb. 26, 1991**

The ornamental design for a numerically controlled drilling machine, as shown.

[30] **Foreign Application Priority Data**

Oct. 5, 1990	[JP]	Japan .....	2-23425
[52]	U.S. Cl. ....	<b>D15/132</b>	
[58]	Field of Search .....	D15/132, 199; 29/568;	483/3

**DESCRIPTION**

[56] **References Cited**

**U.S. PATENT DOCUMENTS**

D. 176,450	12/1955	Djidich .....	D15/132 X
D. 277,679	2/1985	Kitamura .....	D15/132 X
4,551,953	11/1985	Lewandowski .....	483/3 X

FIG. 1 is a front elevational view of a numerically controlled drilling machine showing my new design; FIG. 2 is a right side elevational view; FIG. 3 is a left side elevational view; FIG. 4 is a rear elevational view; FIG. 5 is a top plan view; FIG. 6 is a bottom plan view; and, FIG. 7 is a perspective view thereof. FIG. 7 has been drawn on a reduced scale with respect to FIGS. 1-6.

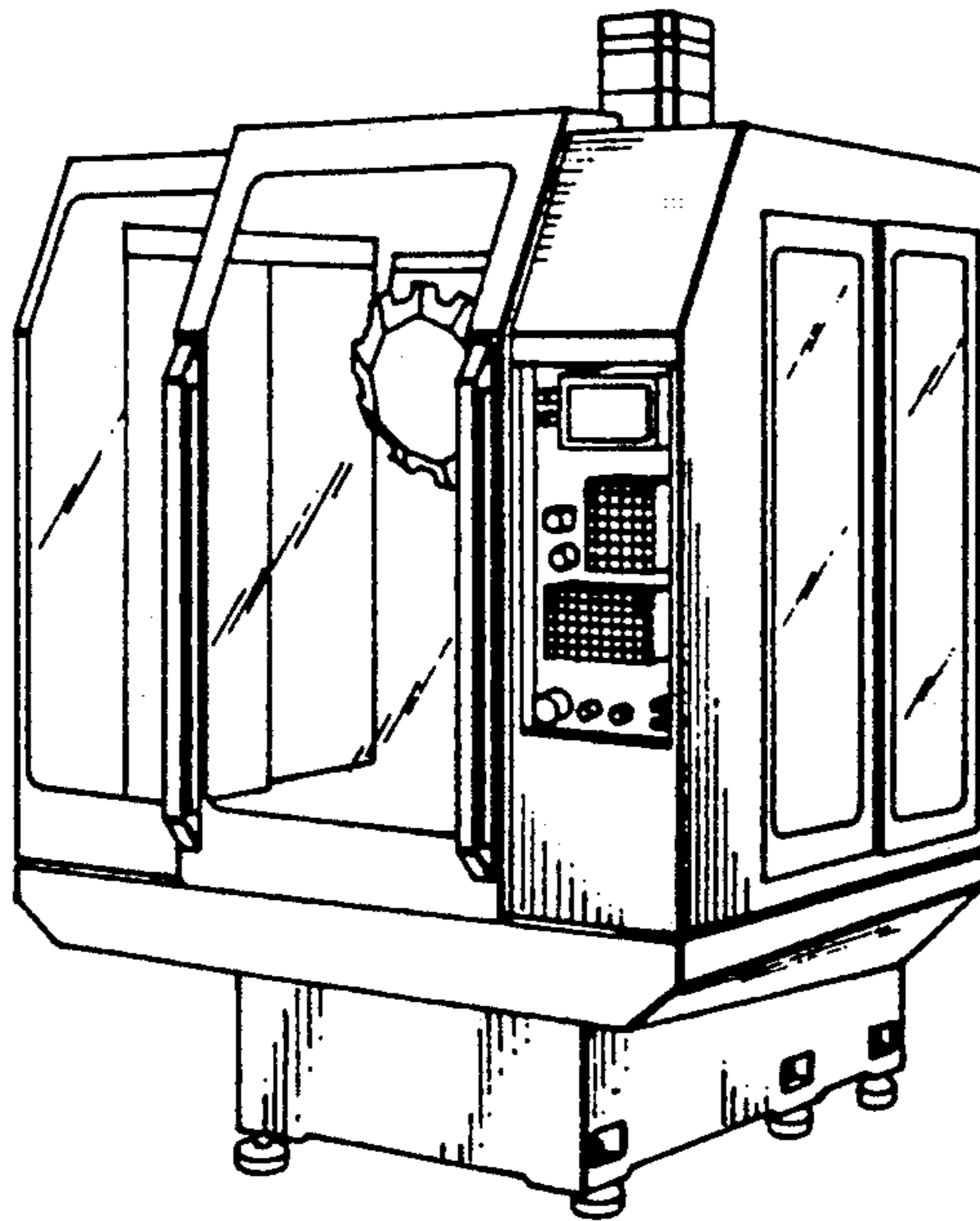


FIG. 2

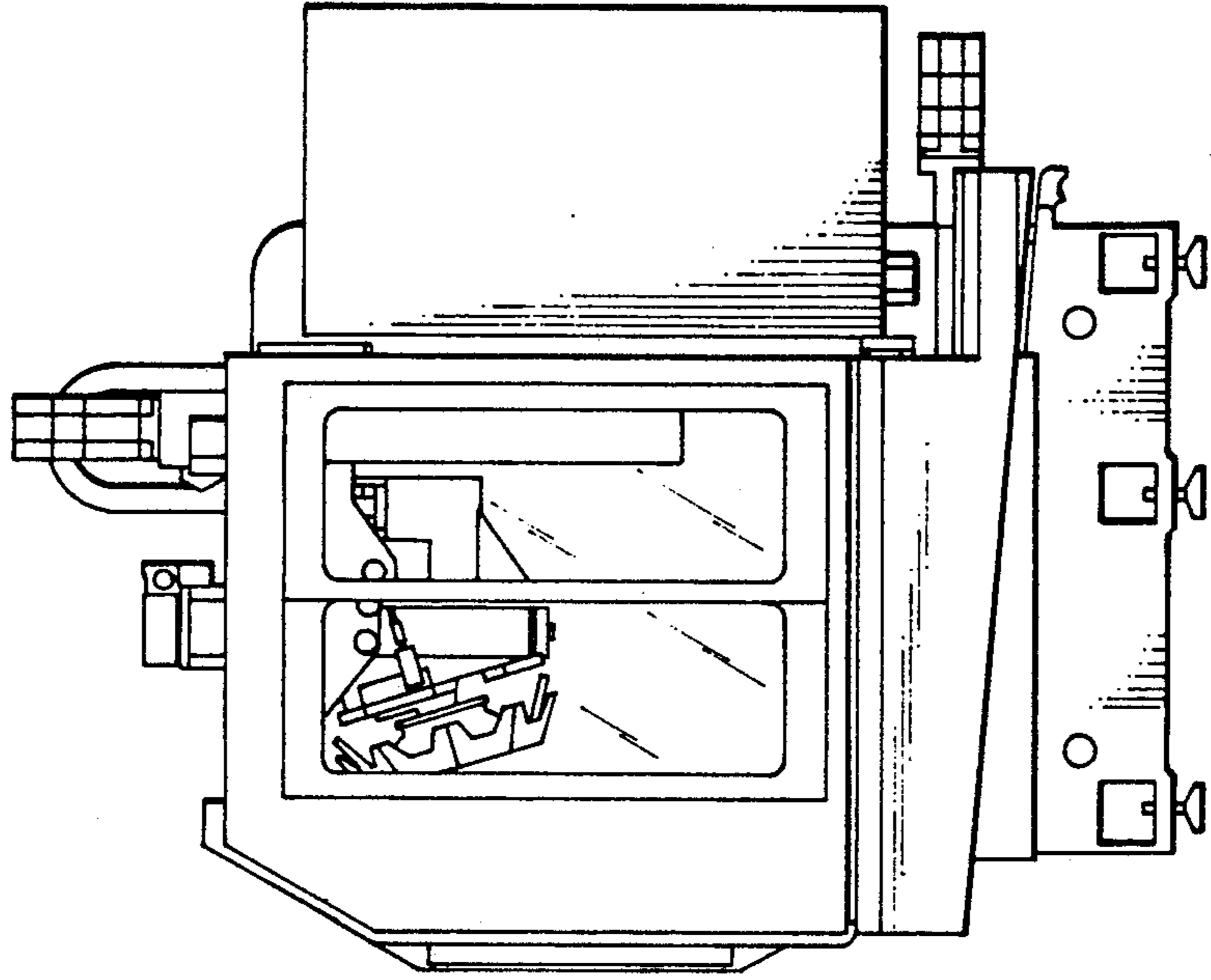


FIG. 1

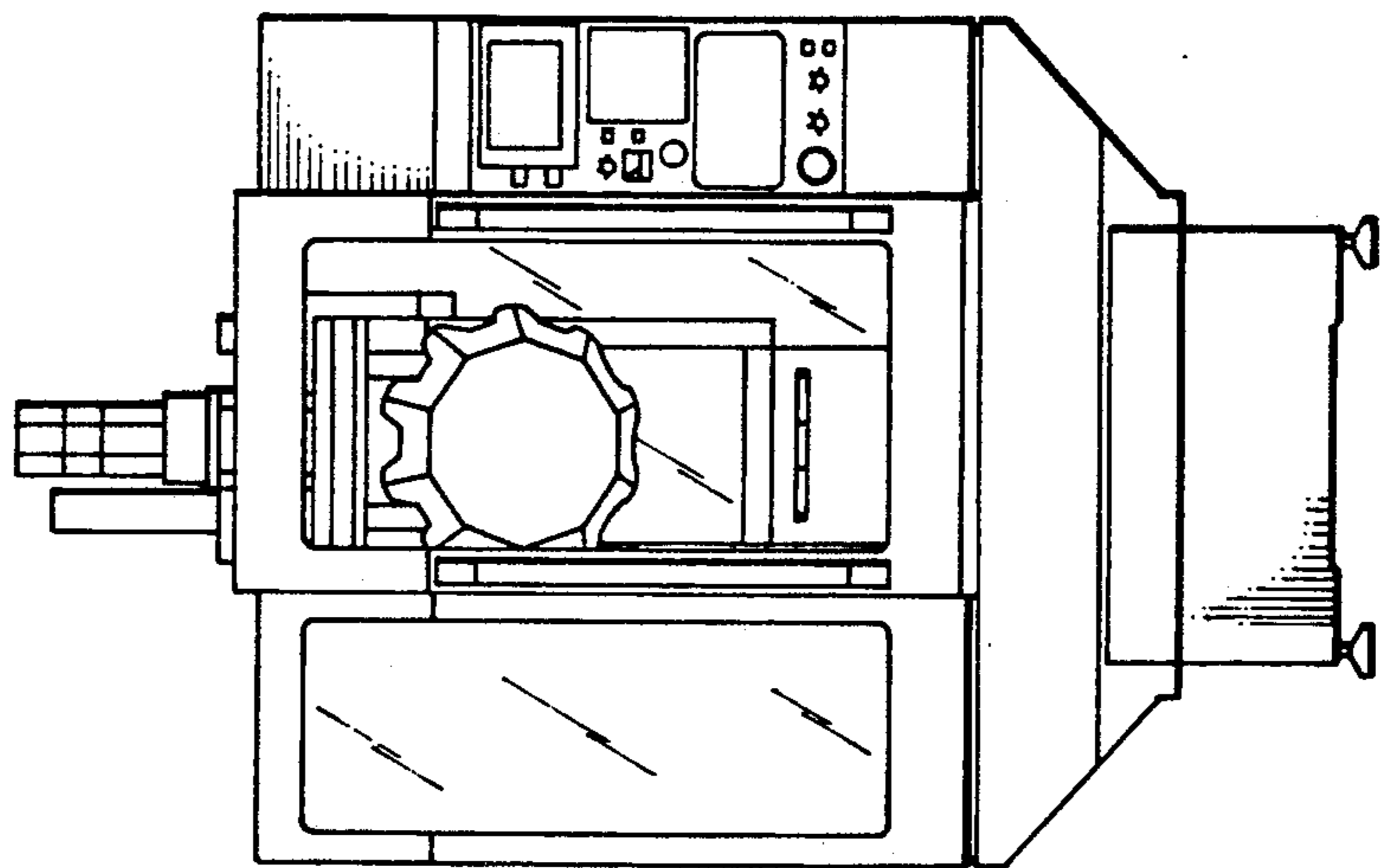


FIG. 4

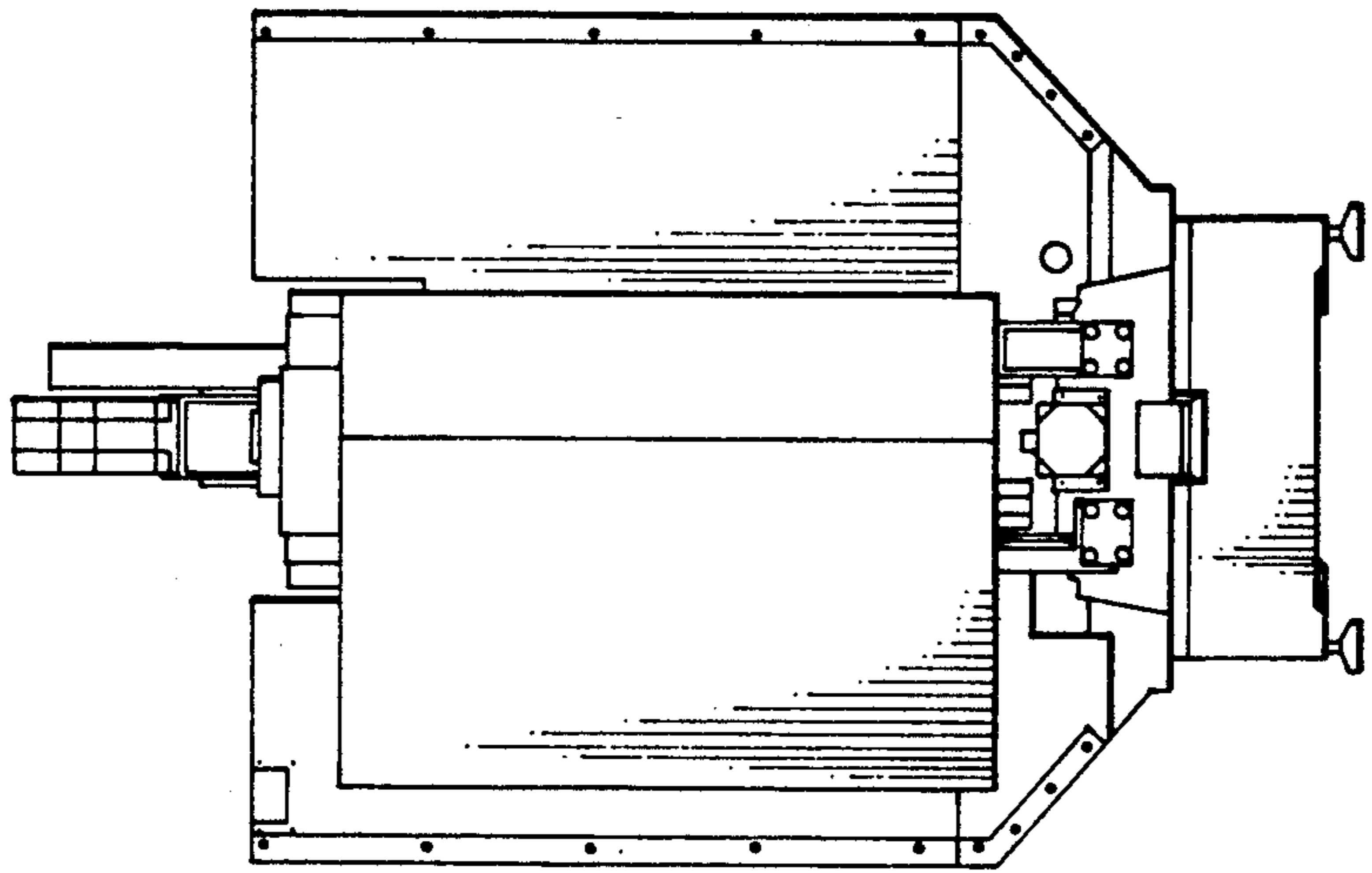


FIG. 3

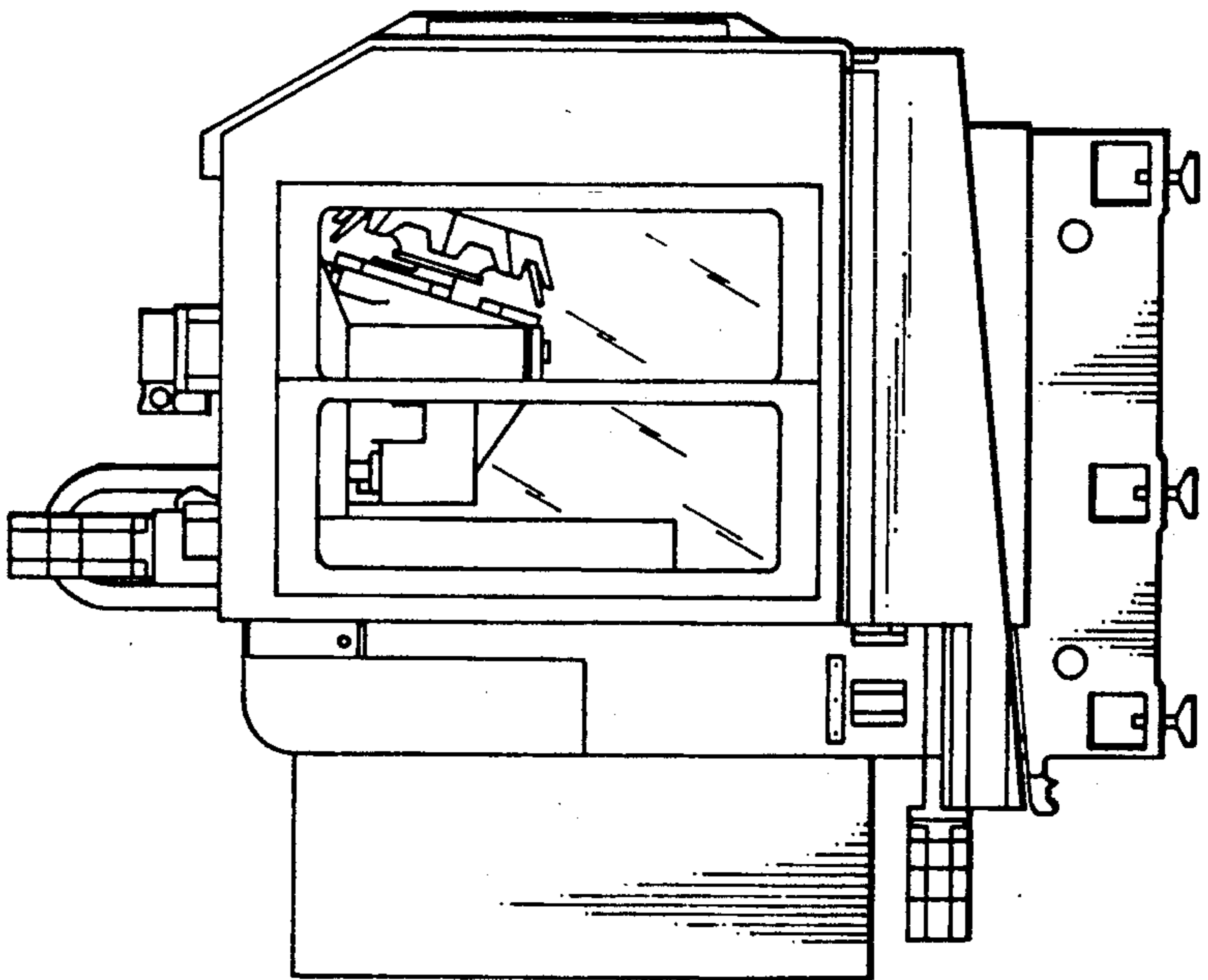


FIG. 5

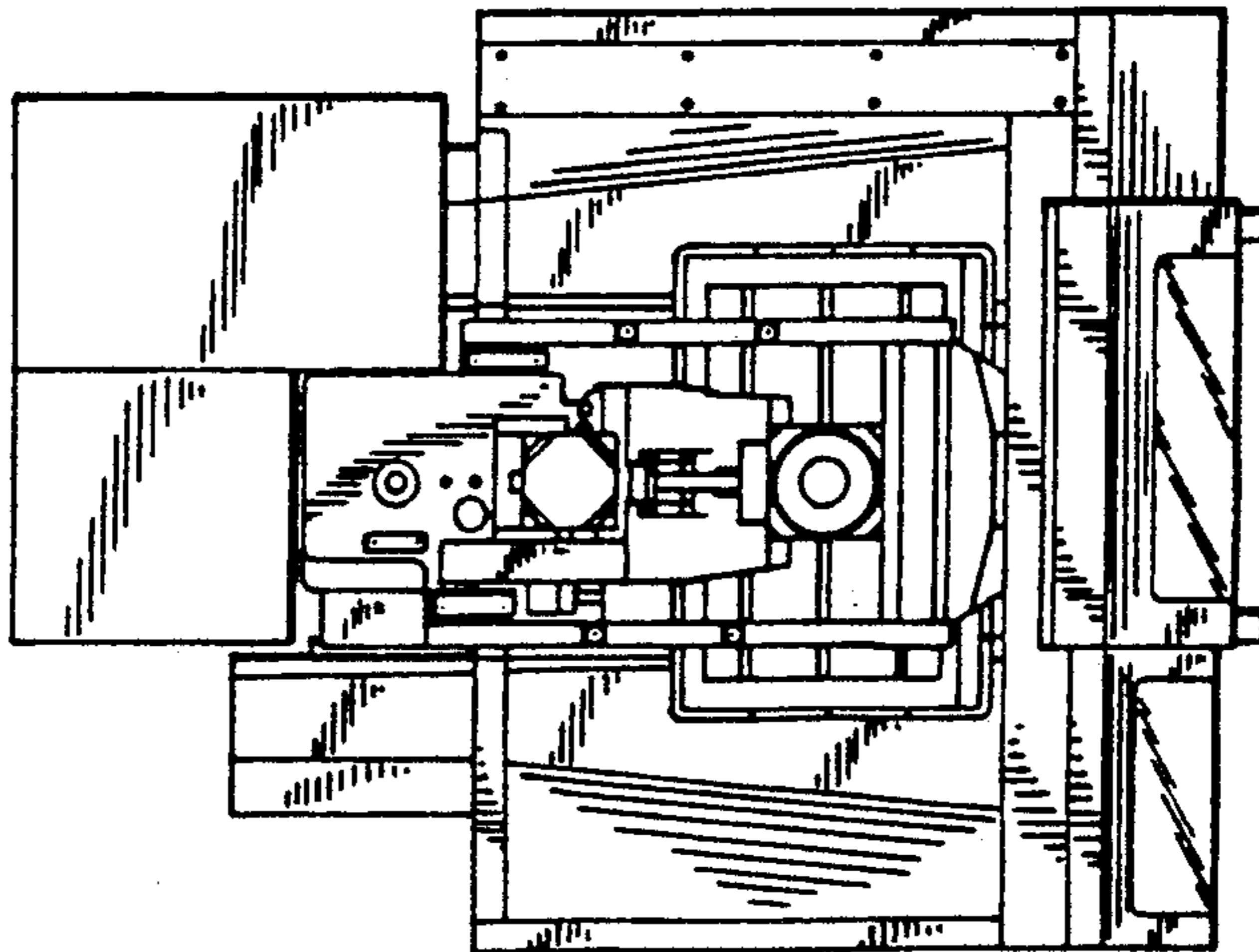


FIG. 6

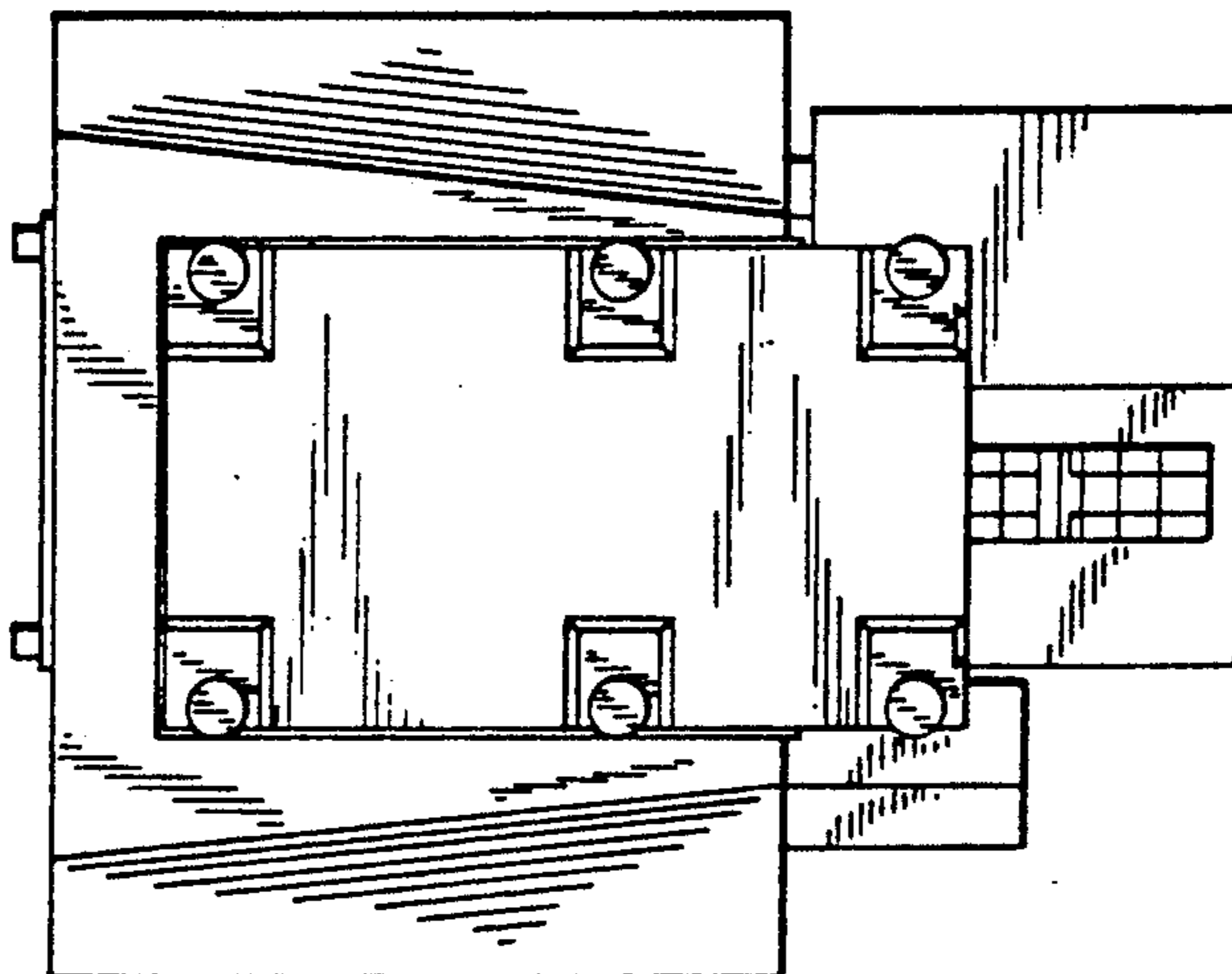


FIG. 7

