



US00D331246S

# United States Patent [19]

[11] Patent Number: **Des. 331,246**

Chen

[45] Date of Patent: **\*\* Nov. 24, 1992**

[54] DRILLING MACHINE

D. 285,797 9/1986 Archart ..... D15/132  
4,655,649 4/1987 Itzov et al. .... D15/132 X

[76] Inventor: **Ruey-Zon Chen**, No. 17-3, Jen Hua Road, Jen Hua Village, Tali Hsiang, Taichung, Taiwan

*Primary Examiner*—Donald P. Walsh  
*Assistant Examiner*—Antoine D. Davis  
*Attorney, Agent, or Firm*—Bacon & Thomas

[\*\*] Term: **14 Years**

[57] **CLAIM**

[21] Appl. No.: **556,482**

The ornamental design for a drilling machine, as shown and described.

[22] Filed: **Jul. 24, 1990**

[52] U.S. Cl. .... **D15/132**

### DESCRIPTION

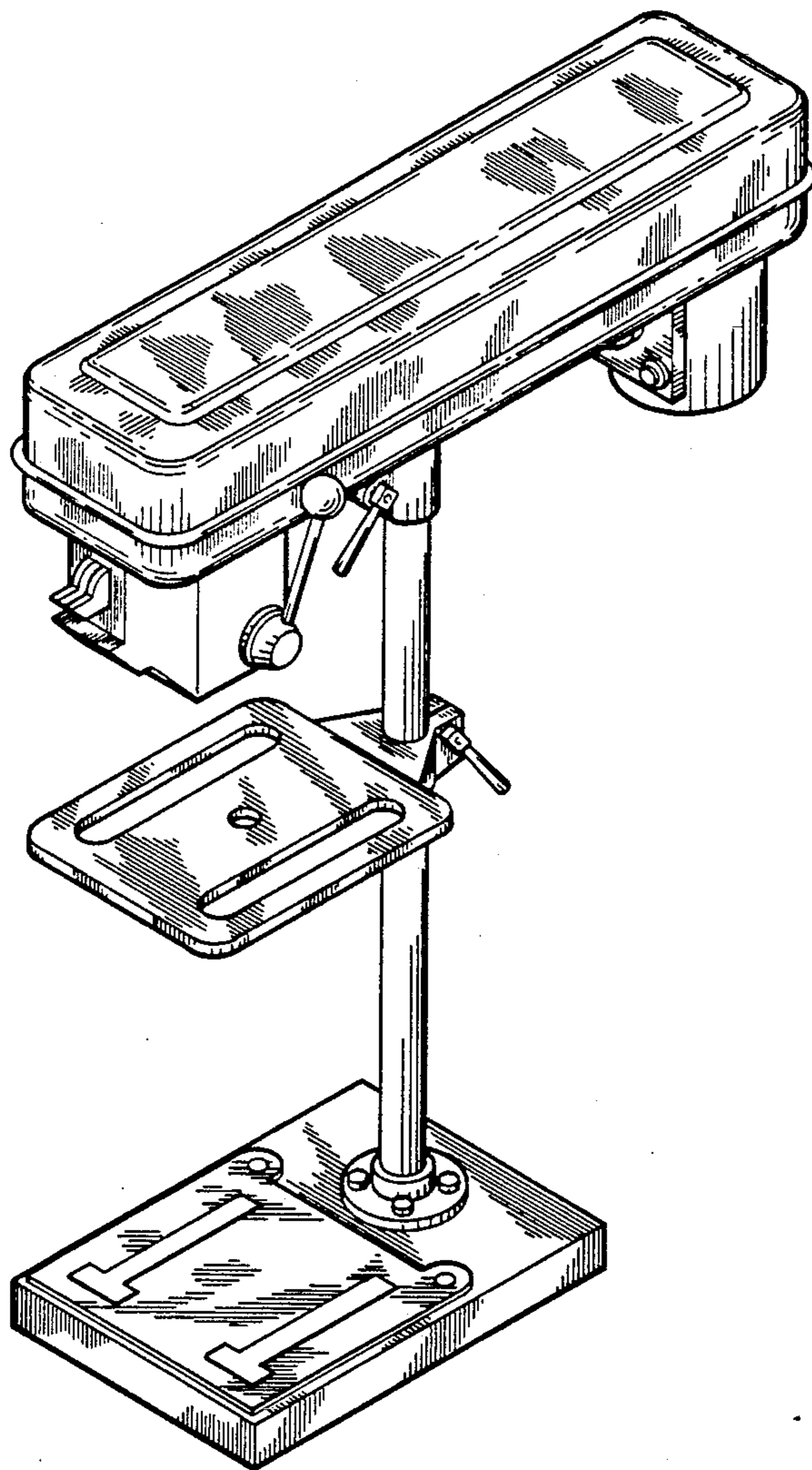
[58] Field of Search ..... D15/132; 29/26 A, 33 R, 29/33 K, 35; 408/14, 141, 202, 241 S, 112, 113, 35, 87, 90, 135, 234, 235, 236

FIG. 1 is a right side elevational view of a drilling machine showing my new design;  
FIG. 2 is a left side elevational view;  
FIG. 3 is a front elevational view;  
FIG. 4 is a rear elevational view;  
FIG. 5 is a top plan view;  
FIG. 6 is a bottom plan view; and,  
FIG. 7 is a perspective view thereof.  
FIG. 7 has been drawn on an enlarged scale with respect to FIGS. 1-6.

### [56] References Cited

#### U.S. PATENT DOCUMENTS

D. 184,835	4/1959	Snyder	.....	D15/132
D. 277,865	3/1985	Chen	.....	D15/132
D. 280,626	9/1985	Chen	.....	D15/132
D. 284,970	8/1986	Wolff	.....	D15/132



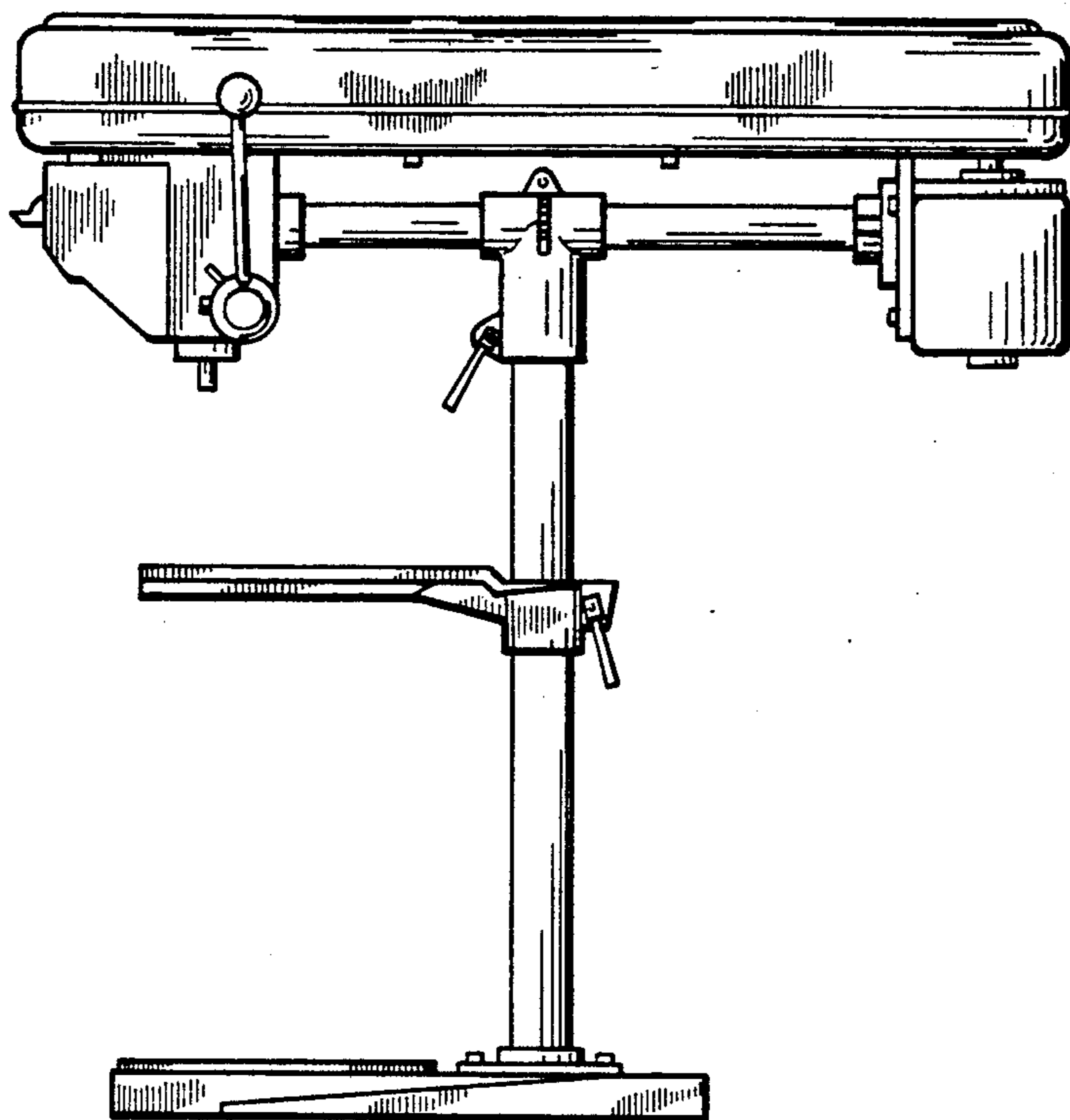


FIG. 1

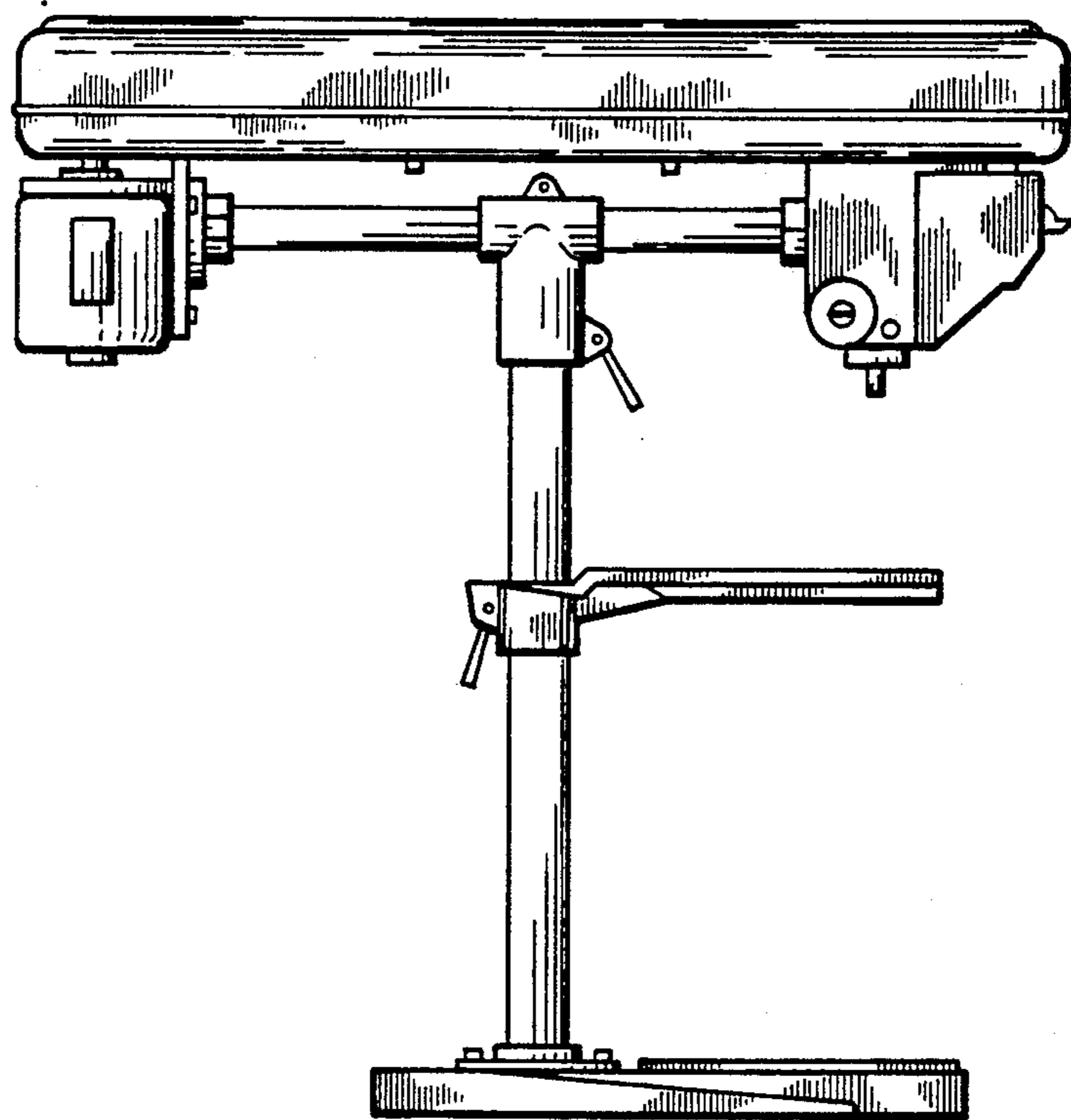


FIG. 2

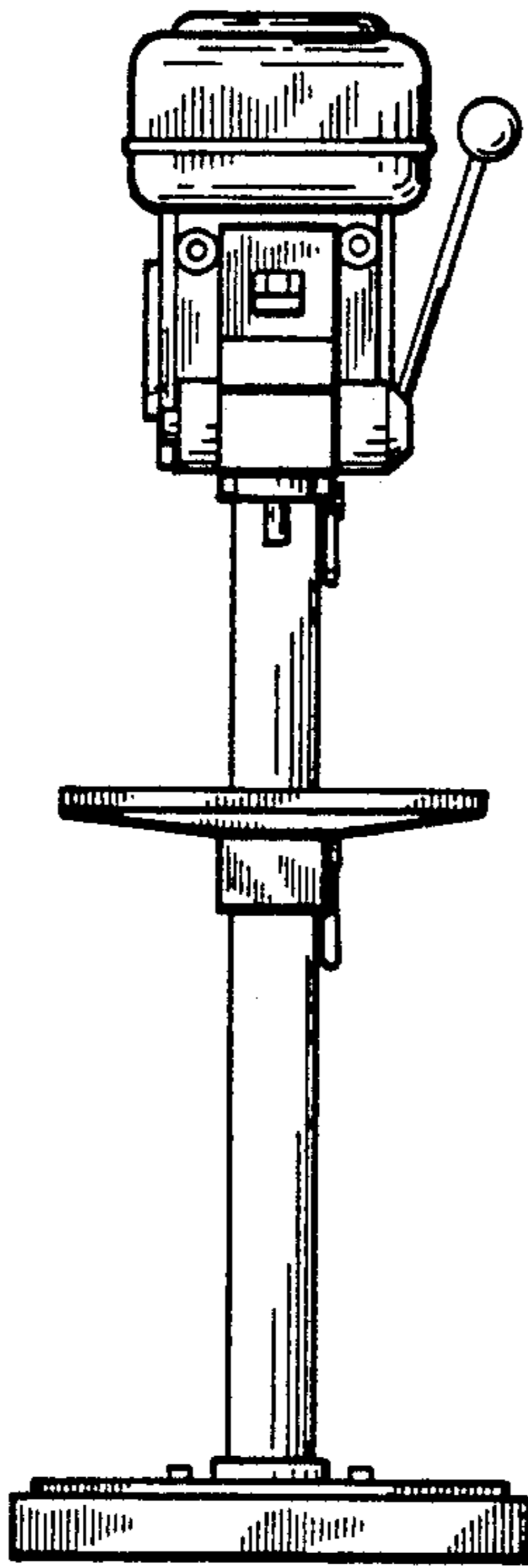


FIG. 3

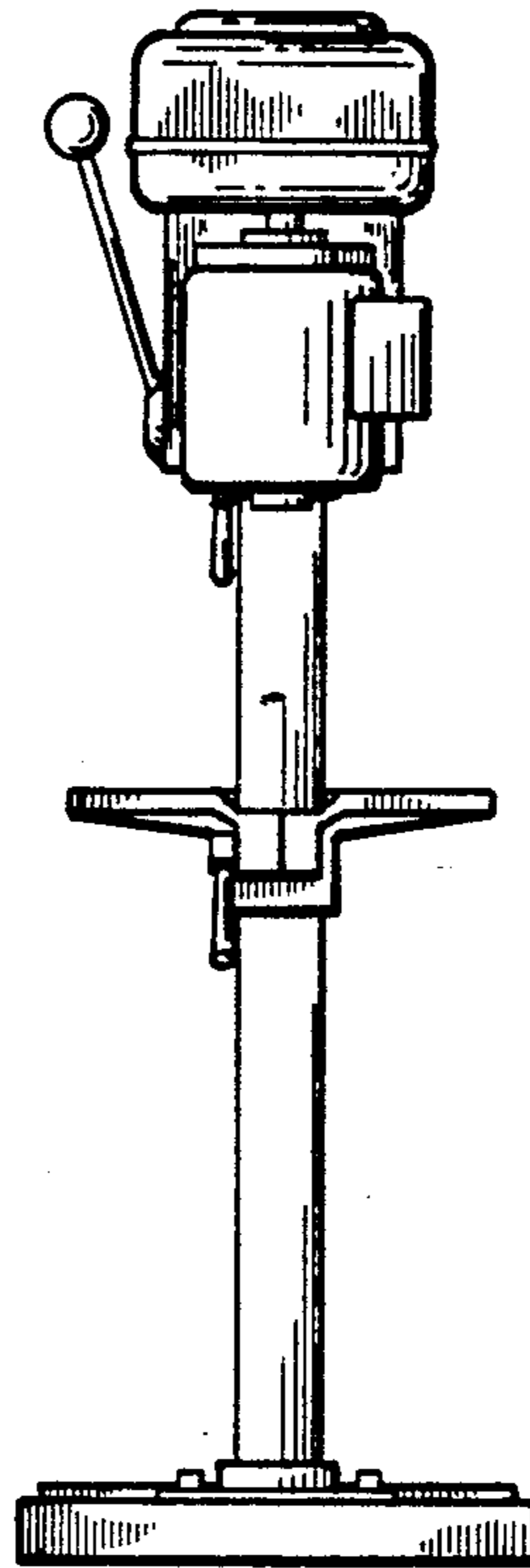


FIG. 4

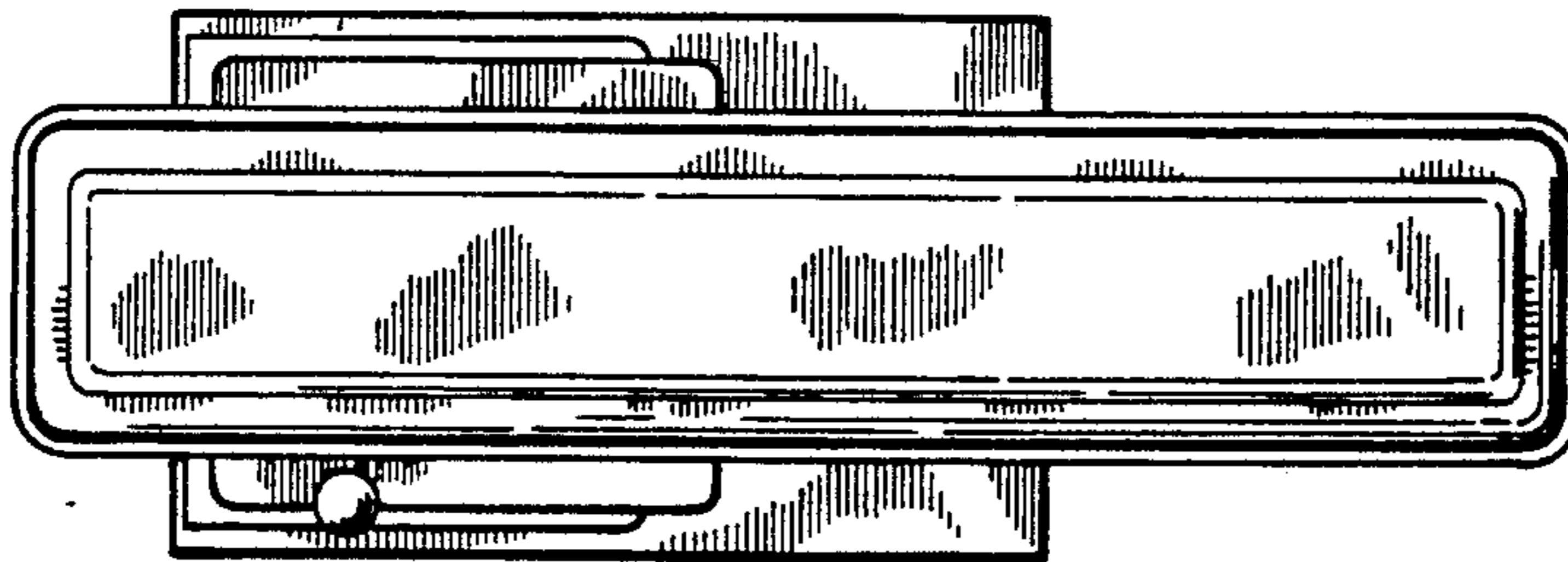


FIG. 5

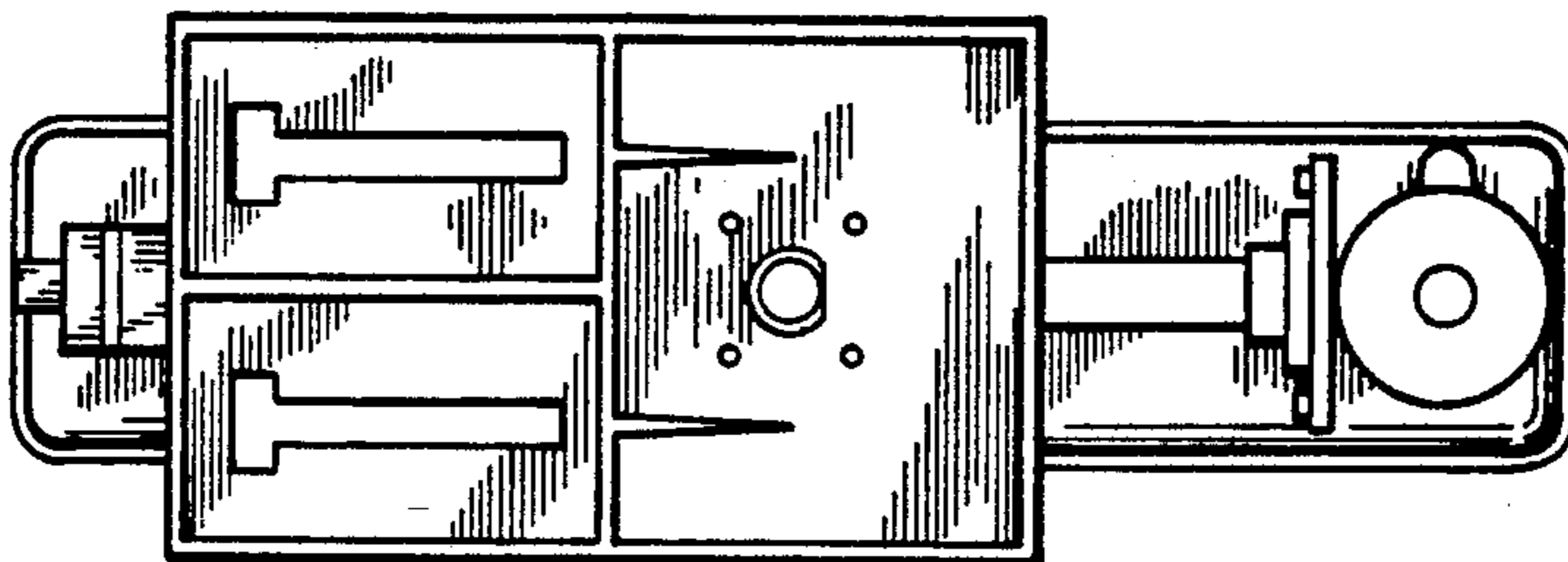


FIG. 6

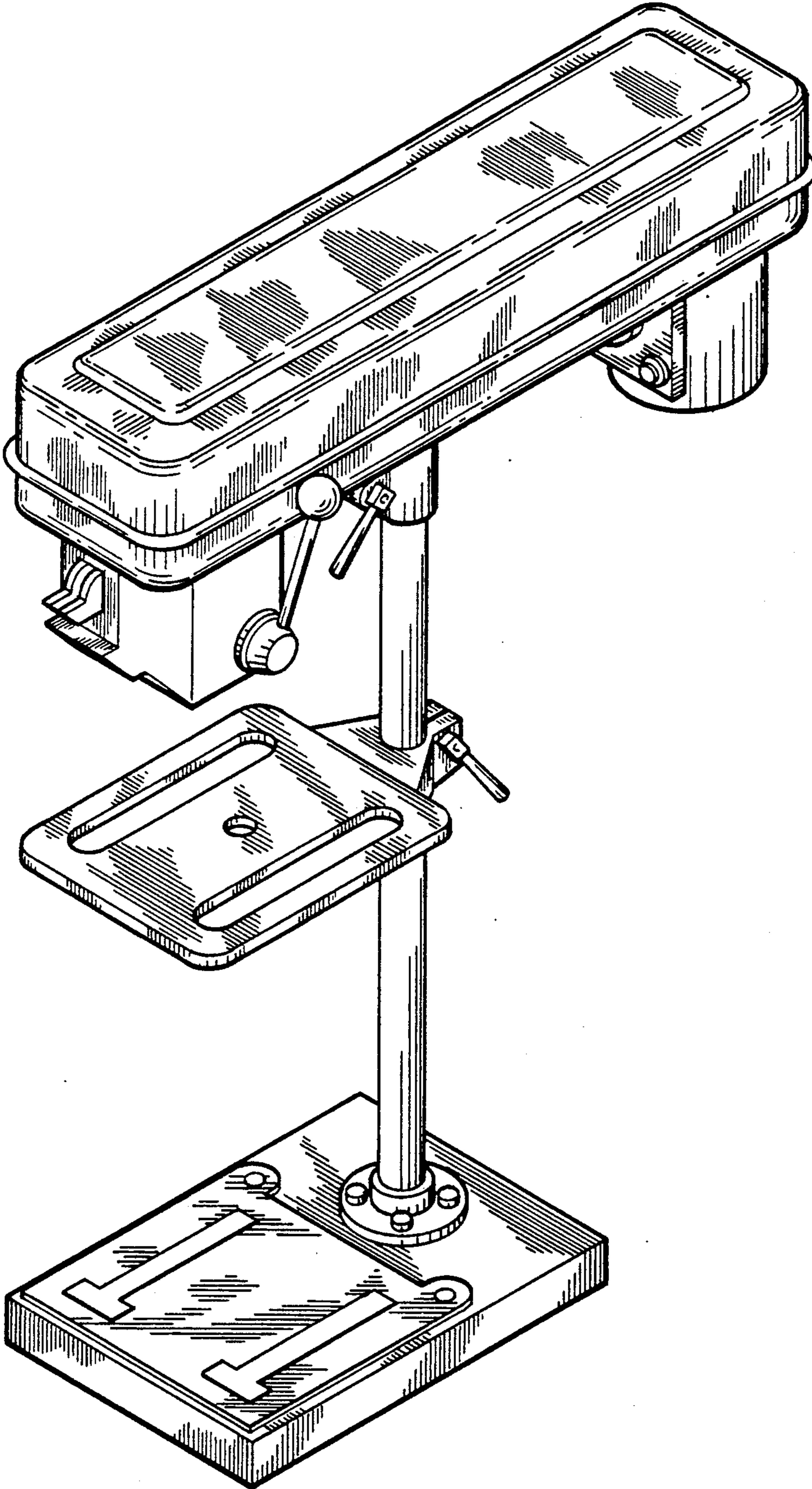


FIG. 7