



US00D331245S

United States Patent [19]

[11] Patent Number: **Des. 331,245**

Boyer et al.

[45] Date of Patent: **** Nov. 24, 1992**

[54] ALUMINUM CAN COMPACTOR

4,333,396	6/1982	Longnecker	100/295 X
4,498,385	2/1985	Manley	100/280 X
5,009,155	4/1991	Christianson	100/233

[76] Inventors: **Donald R. Boyer; Janet J. Boyer**,
both of Rd. #1 Box 1744, Mohnton,
Pa. 19540

Primary Examiner—Nelson C. Holtje
Assistant Examiner—Antoine D. Davis
Attorney, Agent, or Firm—Leon Gilden

[**] Term: **14 Years**

[21] Appl. No.: **394,517**

[57] **CLAIM**

[22] Filed: **Aug. 16, 1989**

The ornamental design for an aluminum can compactor,
as shown and described.

[52] U.S. Cl. **D15/123**

[58] Field of Search **D15/122, 123; 100/280,**
100/281, 283, 293, 233, 234, 902

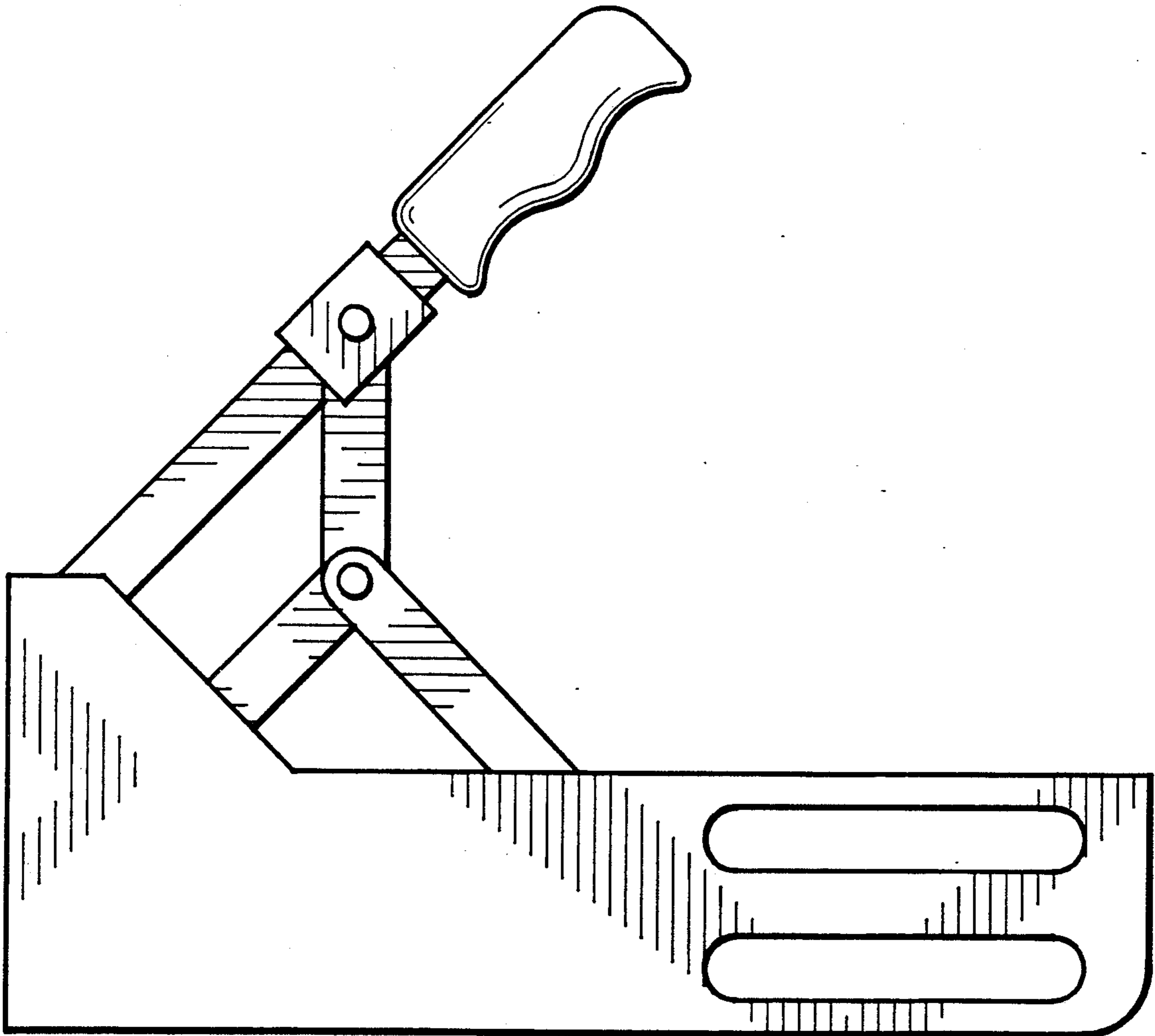
DESCRIPTION

[56] **References Cited**

FIG. 1 is a rear elevational view of a aluminum can
compactor showing our new design;
FIG. 2 is a front elevational view;
FIG. 3 is a right side elevational view;
FIG. 4 is a left side elevational view;
FIG. 5 is a bottom plan view; and,
FIG. 6 is a top plan view thereof.

U.S. PATENT DOCUMENTS

D. 233,911	12/1978	Marsh et al.	D15/123
D. 287,015	12/1986	Berry	D15/123
4,058,054	11/1977	Markman	100/902 X
4,292,891	10/1981	Shelley	100/293 X



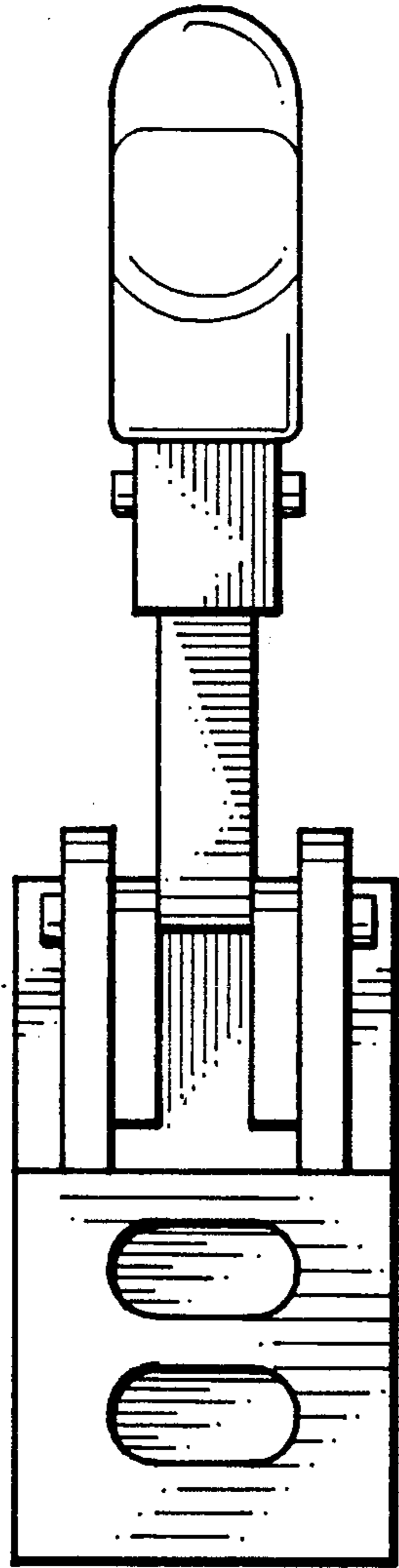


Fig. 1

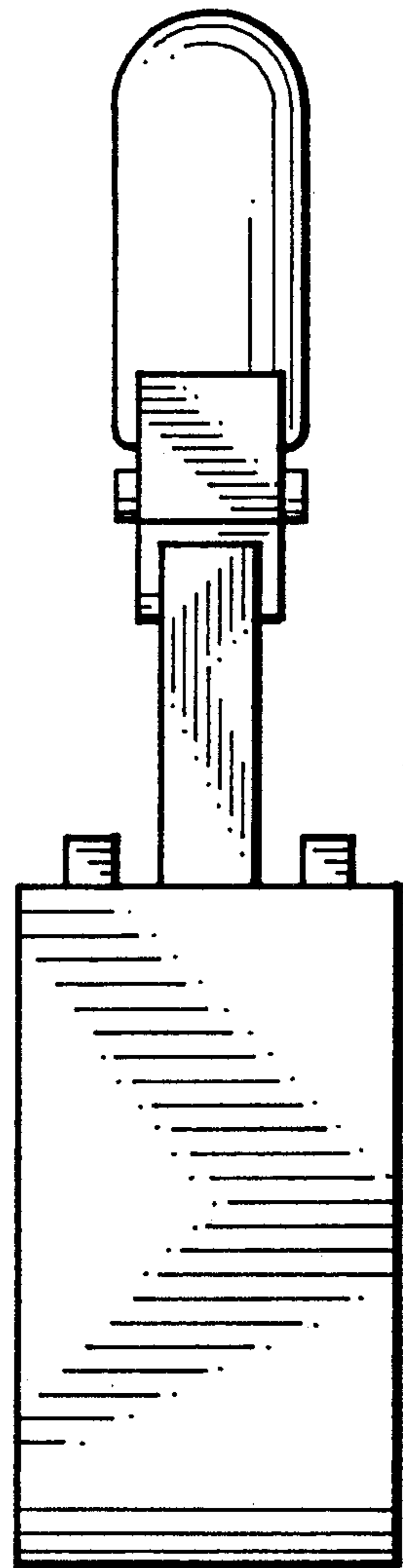


Fig. 2

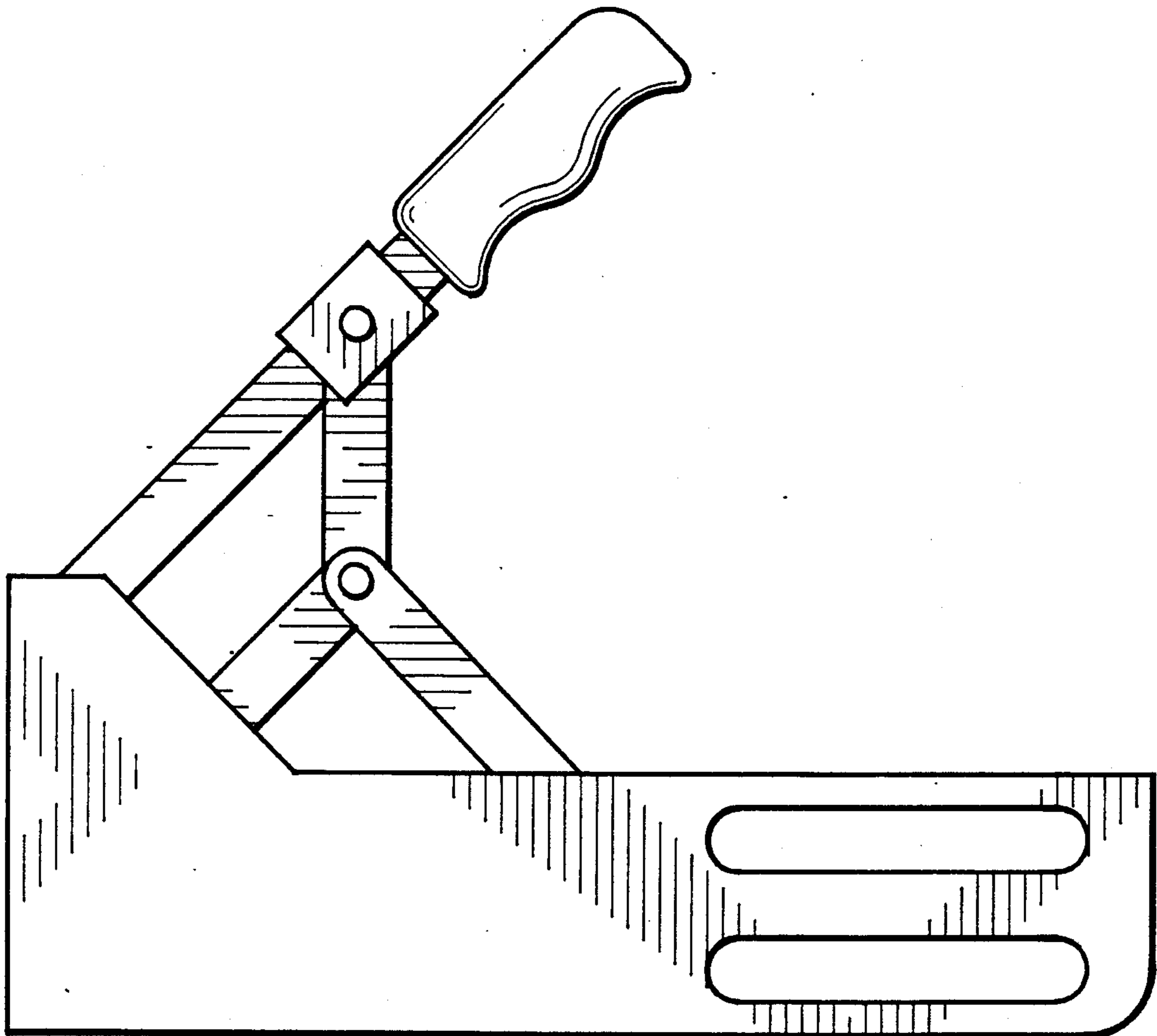


Fig. 3

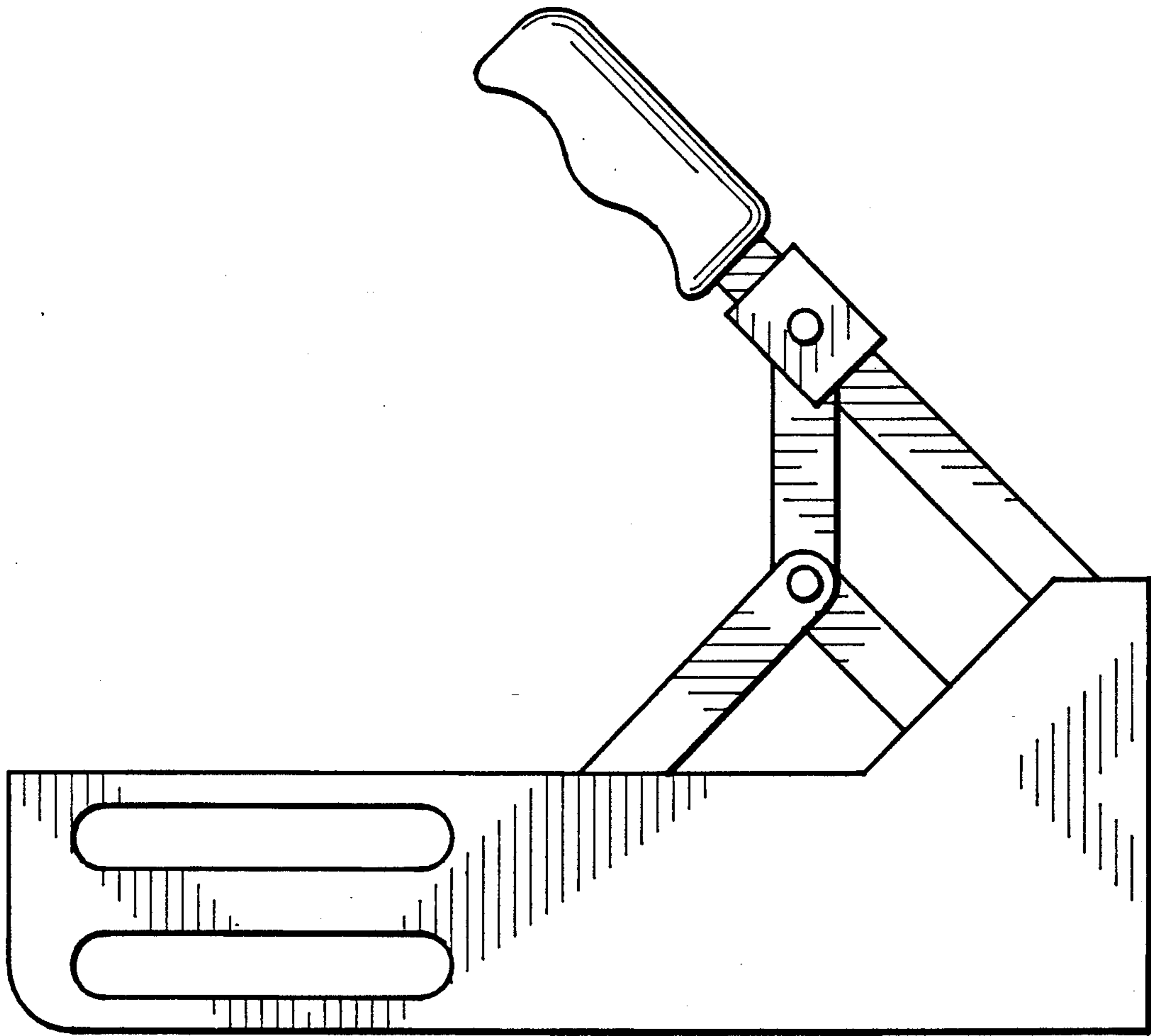


Fig. 4

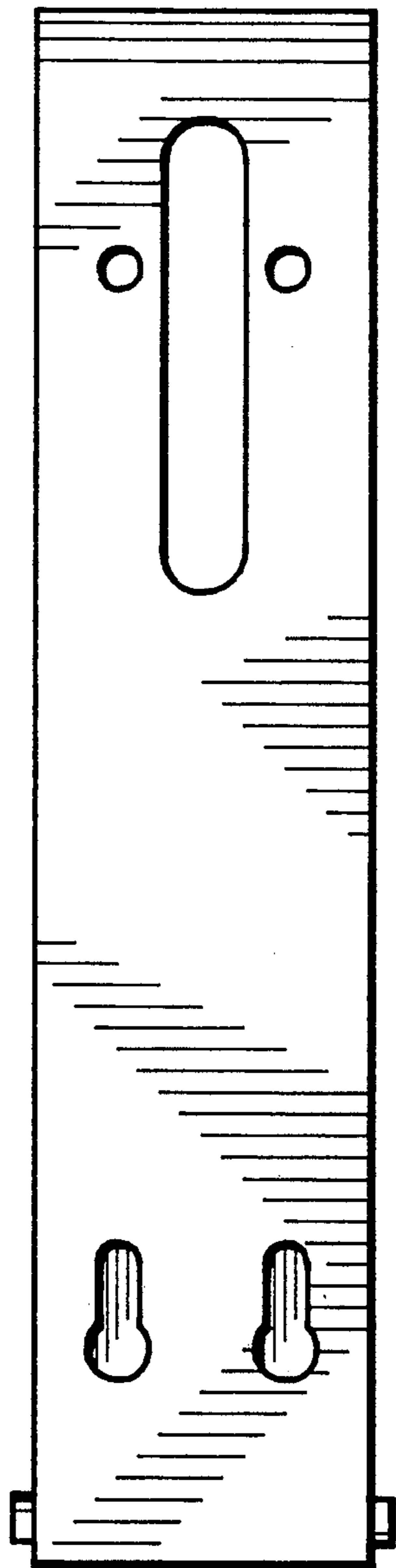


Fig. 5

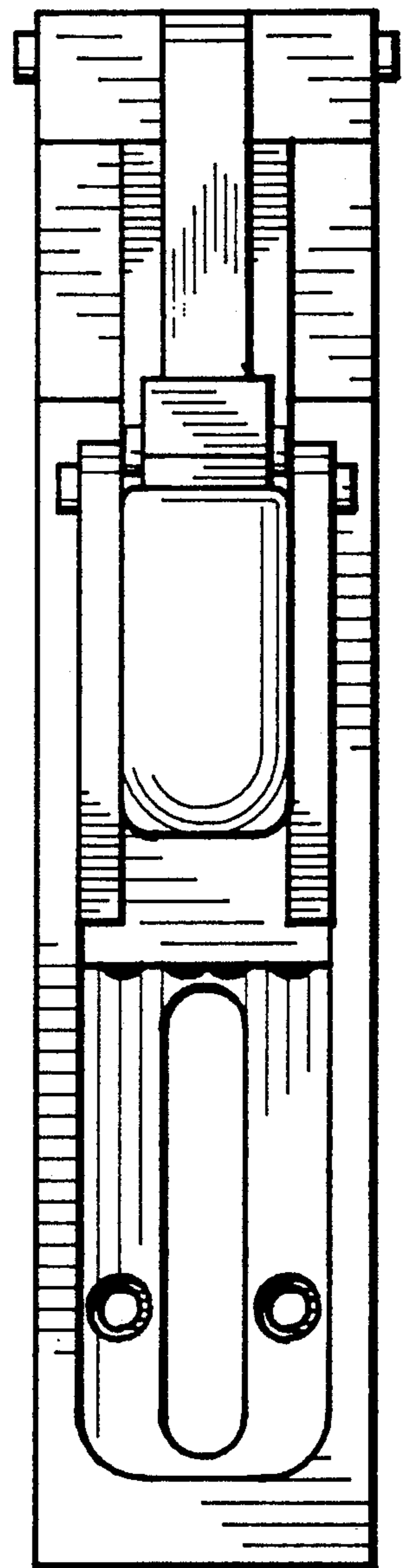


Fig. 6