



US00D331244S

United States Patent [19]

[11] Patent Number: **Des. 331,244**

Jensen

[45] Date of Patent: **** Nov. 24, 1992**

[54] **RIBBON AND YARN SPOOL HOLDER**

4,991,410 2/1991 Donatelli 223/106

[76] Inventor: **Cheryl A. Jensen**, 206 E. 40th St.,
Boise, Id. 83714

Primary Examiner—Bernard Ansher
Assistant Examiner—Sandra Morris
Attorney, Agent, or Firm—Leon Gilden

[**] Term: **14 Years**

[57] **CLAIM**

[21] Appl. No.: **538,488**

The ornamental design for a ribbon and yarn spool holder, as shown and described.

[22] Filed: **Jun. 15, 1990**

[52] U.S. Cl. **D15/78**

DESCRIPTION

[58] Field of Search **D15/66-78;**
223/106

FIG. 1 is a front elevational view of the ribbon and yarn spool holder showing my new design;
FIG. 2 is a rear elevational view thereof;
FIG. 3 is a left side elevational view thereof;
FIG. 4 is a right side elevational view thereof;
FIG. 5 is an enlarged top plan view thereof;
FIG. 6 is an enlarged bottom plan view thereof; and,
FIG. 7 is a partial perspective view thereof, the broken line showing of the table and spool is for illustrative purposes only, and forms no part of the claimed design.

[56] **References Cited**

U.S. PATENT DOCUMENTS

D. 252,396	7/1979	Gros	D15/78
3,282,236	11/1966	Wardlaw	223/106
3,506,215	4/1970	Krikorian	223/106
3,948,396	4/1976	Upton et al.	223/106
4,029,241	6/1977	Krake	223/106

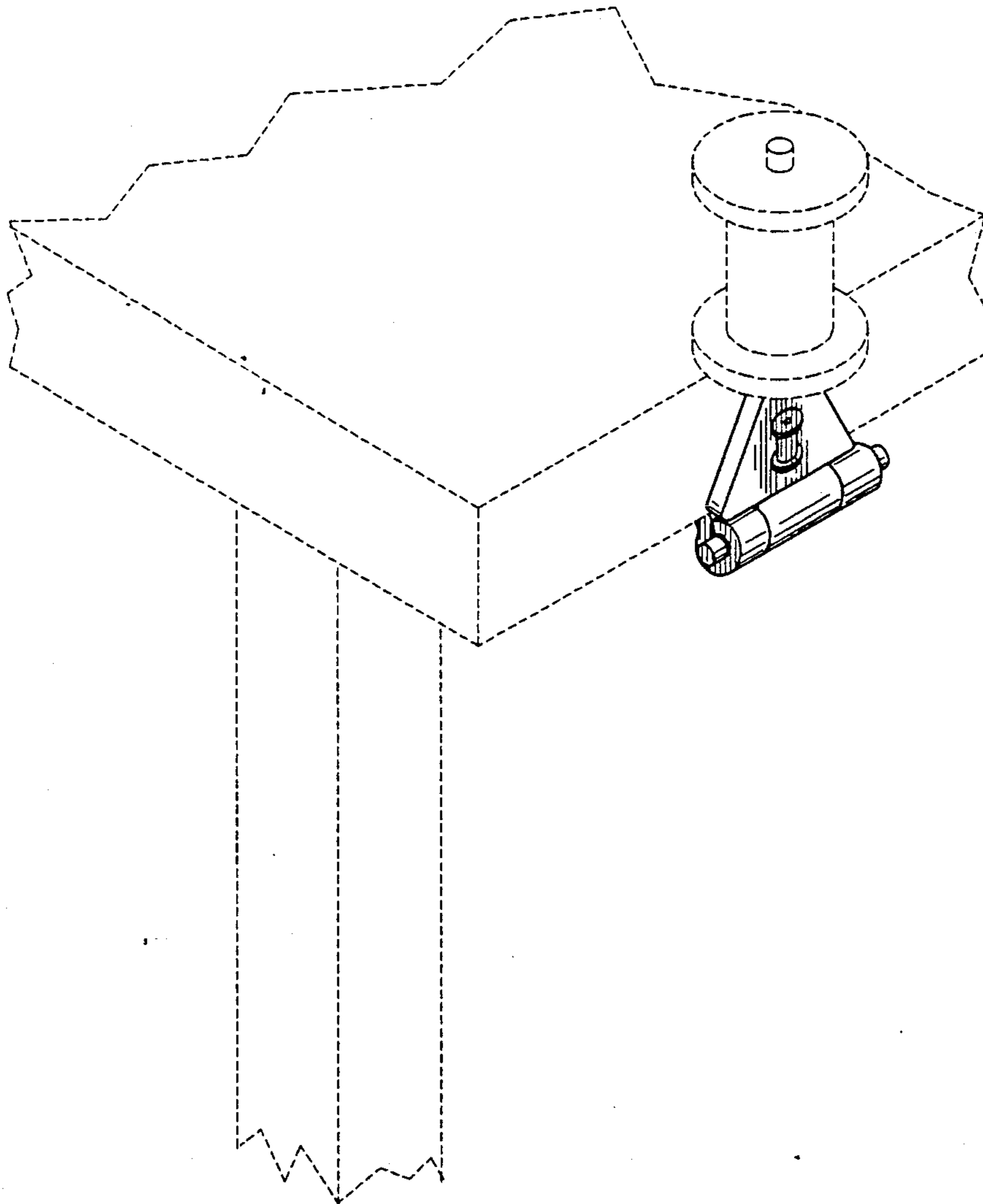


FIG. 1

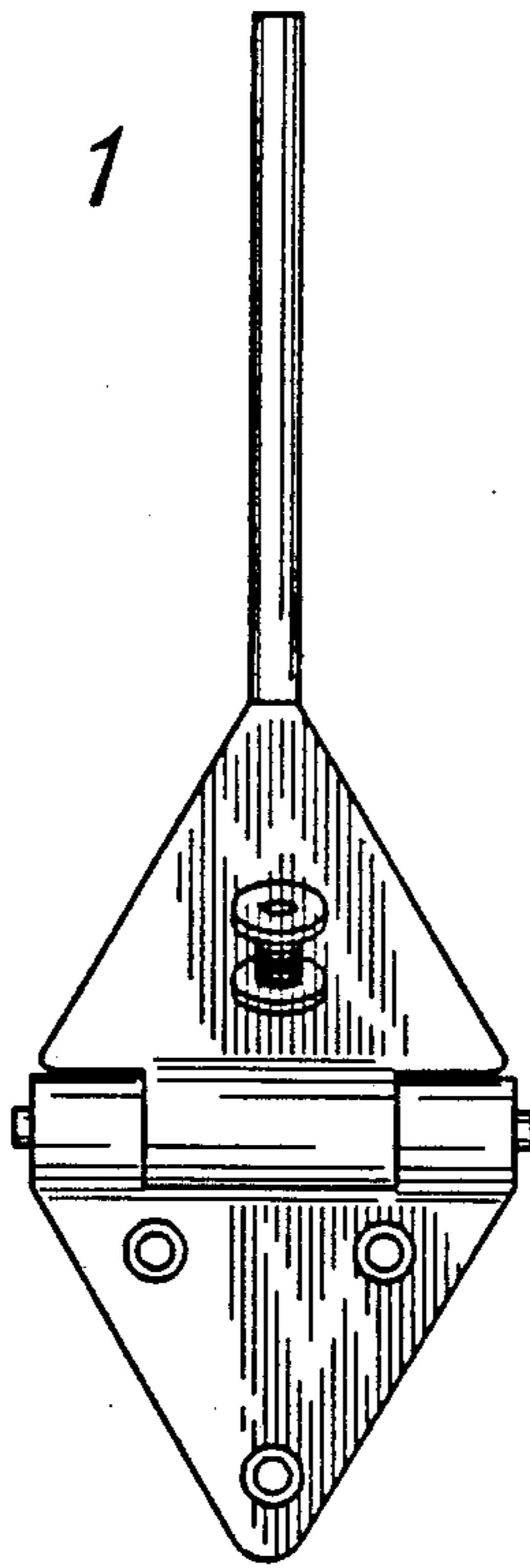


FIG. 2

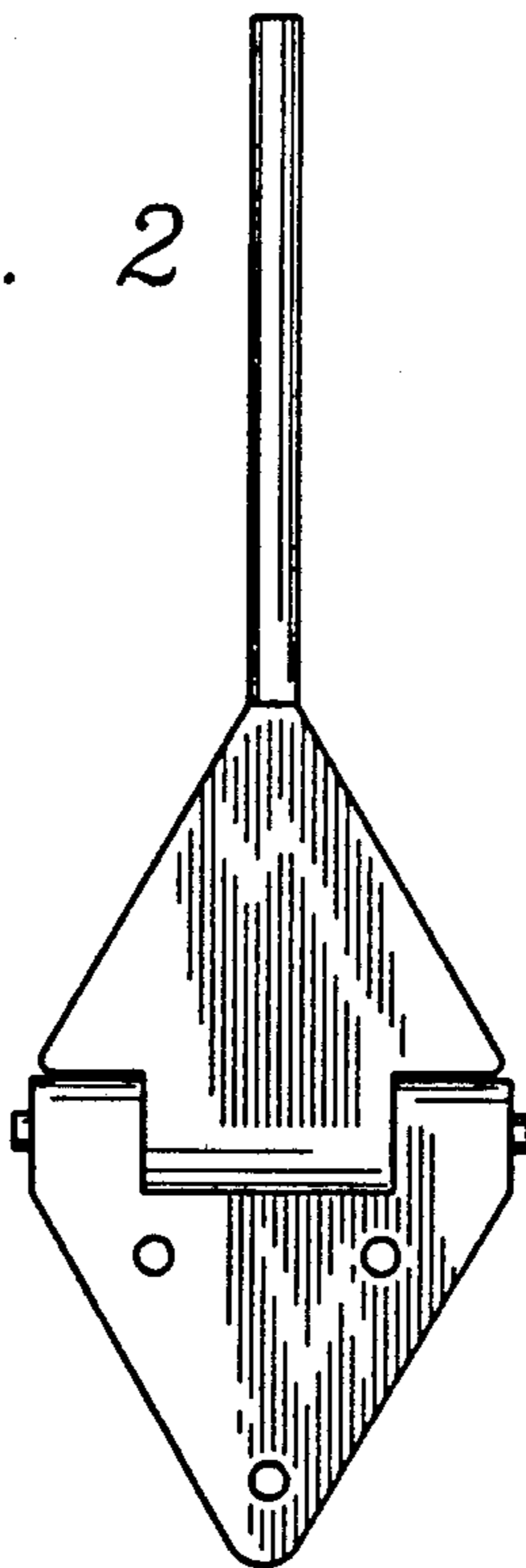


FIG. 3



FIG. 4



FIG. 5

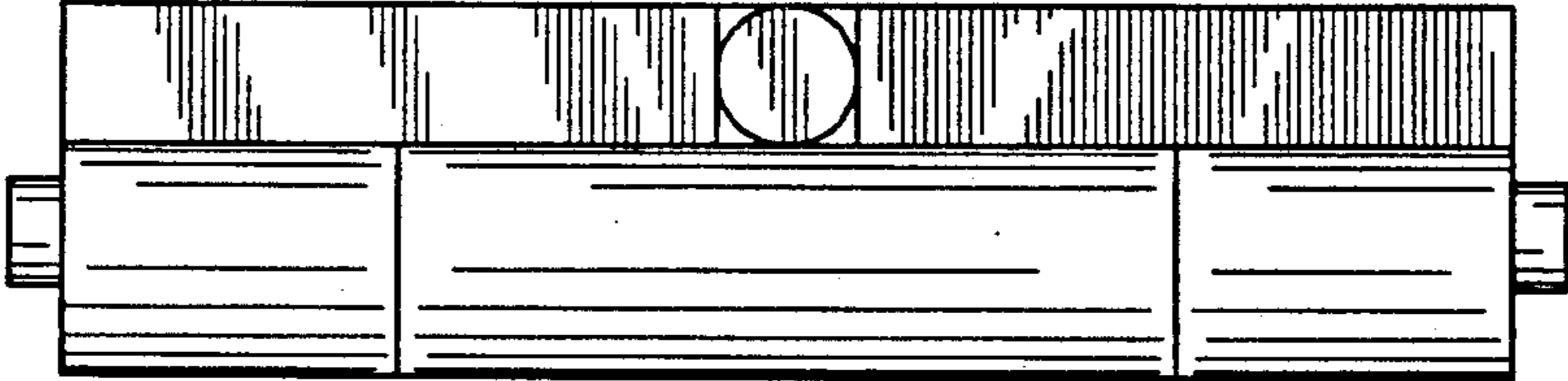


FIG. 6

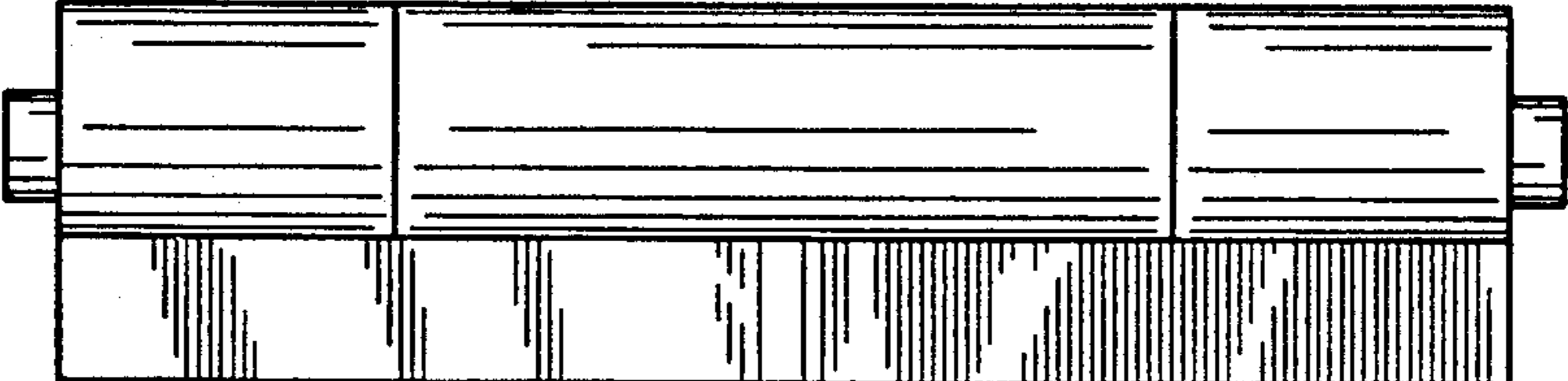


FIG. 7

