



US00D331243S

United States Patent [19]

[11] Patent Number: **Des. 331,243**

Woodhouse

[45] Date of Patent: **** Nov. 24, 1992**

[54] **RIDING LAWNMOWER**

[75] Inventor: **John C. Woodhouse, Belgrave South, Australia**

[73] Assignee: **Australian Woodheating Co. Pty. Ltd., Knoxfield, Australia**

[**] Term: **14 Years**

[21] Appl. No.: **496,523**

[22] Filed: **Mar. 20, 1990**

[30] **Foreign Application Priority Data**

Oct. 2, 1989 [AU] Australia 3235/89

[52] U.S. Cl. **D15/15**

[58] Field of Search **D15/14-17;**
 56/13.4, 16.7, 17.5, 202, 255, 294, 295, 320.1,
 320.2; 180/89.1, 89.12, 900

[56] **References Cited**

U.S. PATENT DOCUMENTS

D. 205,042 6/1966 Zurek D15/15

D. 237,995 12/1975 Meyer et al. D15/15

D. 249,267 9/1978 Brackin et al. D15/15

4,589,249 5/1986 Walker et al. 56/202

Primary Examiner—Bernard Ansher
Assistant Examiner—Sandra Morris
Attorney, Agent, or Firm—Stevens, Davis, Miller & Mosher

[57] **CLAIM**

The ornamental design for a riding lawnmower, as shown and described.

DESCRIPTION

FIG. 1 is a top plan view of a riding lawnmower, showing my new design;

FIG. 2 is a front elevational view thereof;

FIG. 3 is a rear elevational view thereof;

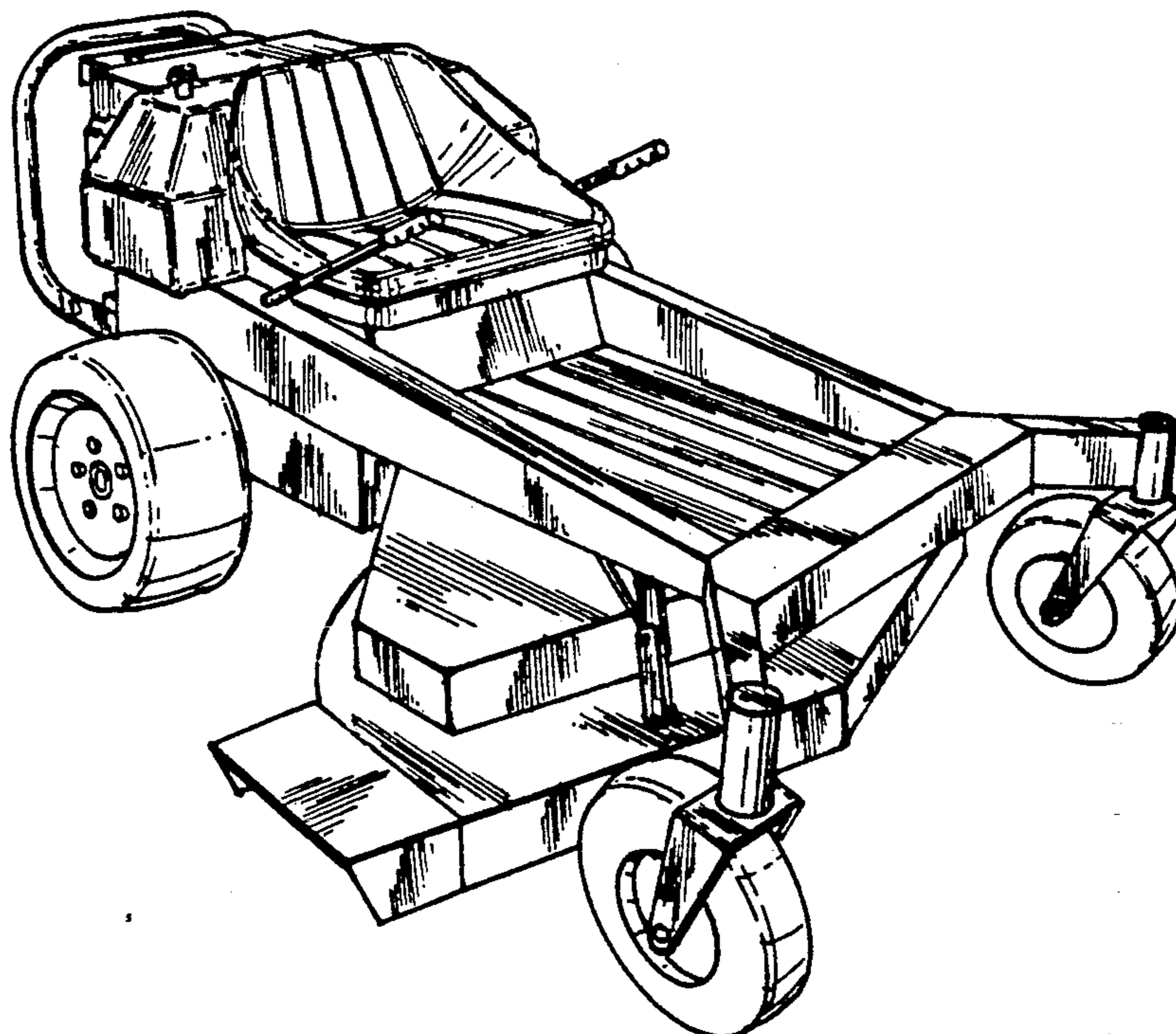
FIG. 4 is a left side elevational view thereof;

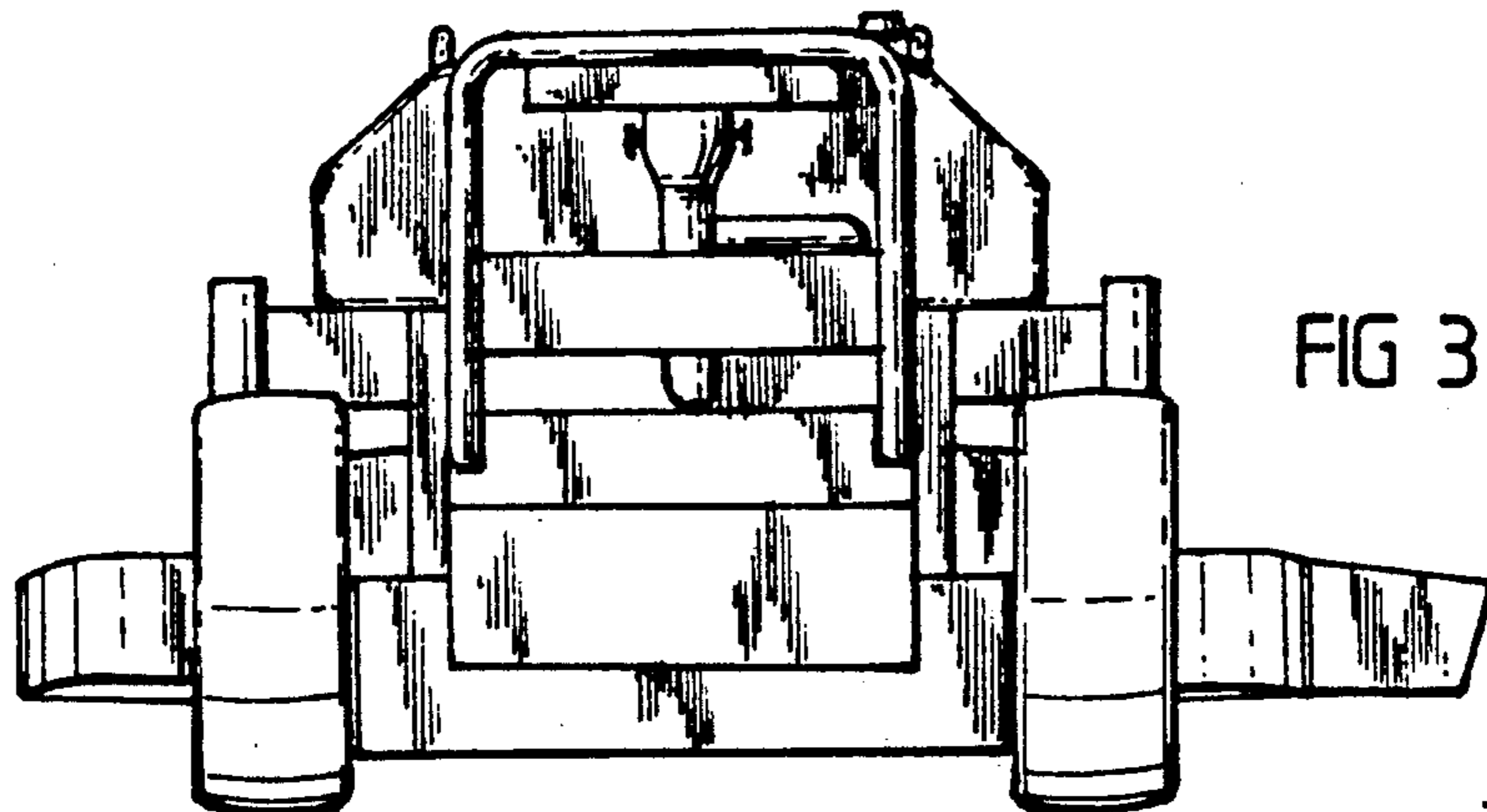
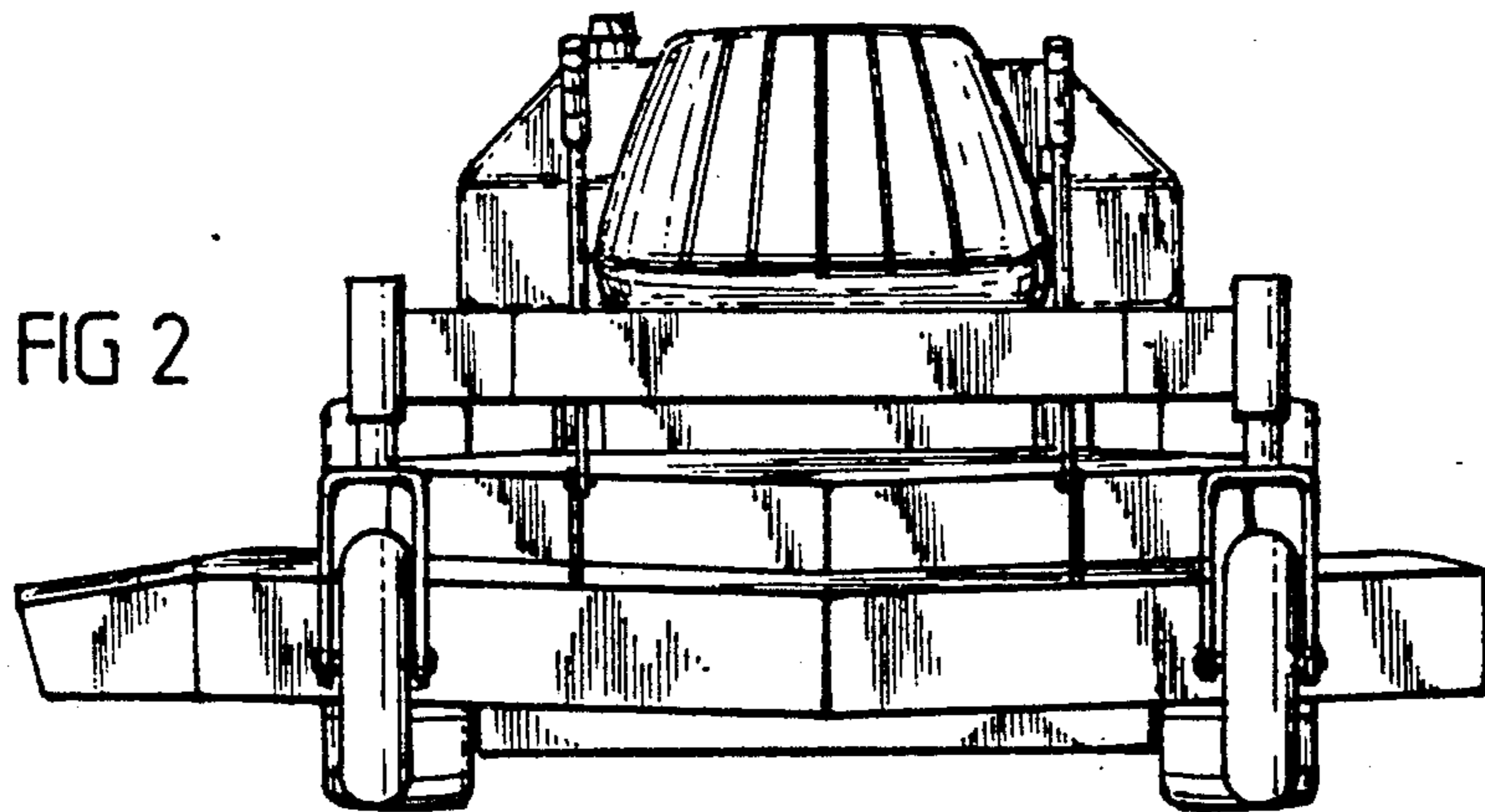
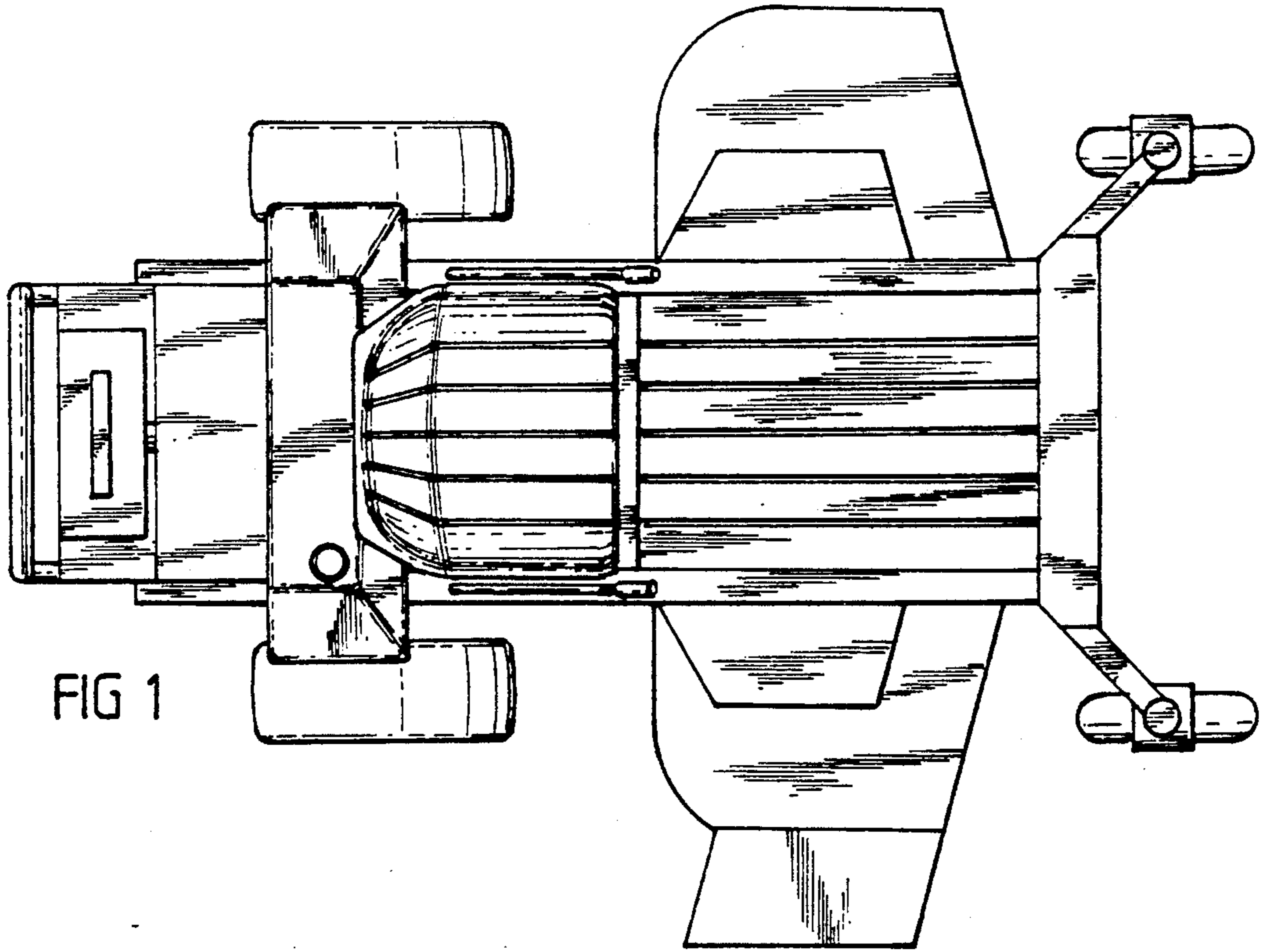
FIG. 5 is a right side elevational view thereof;

FIG. 6 is a left, front perspective view thereof;

FIG. 7 is a right, front perspective view thereof; and,

FIG. 8 is a right, rear perspective view thereof.





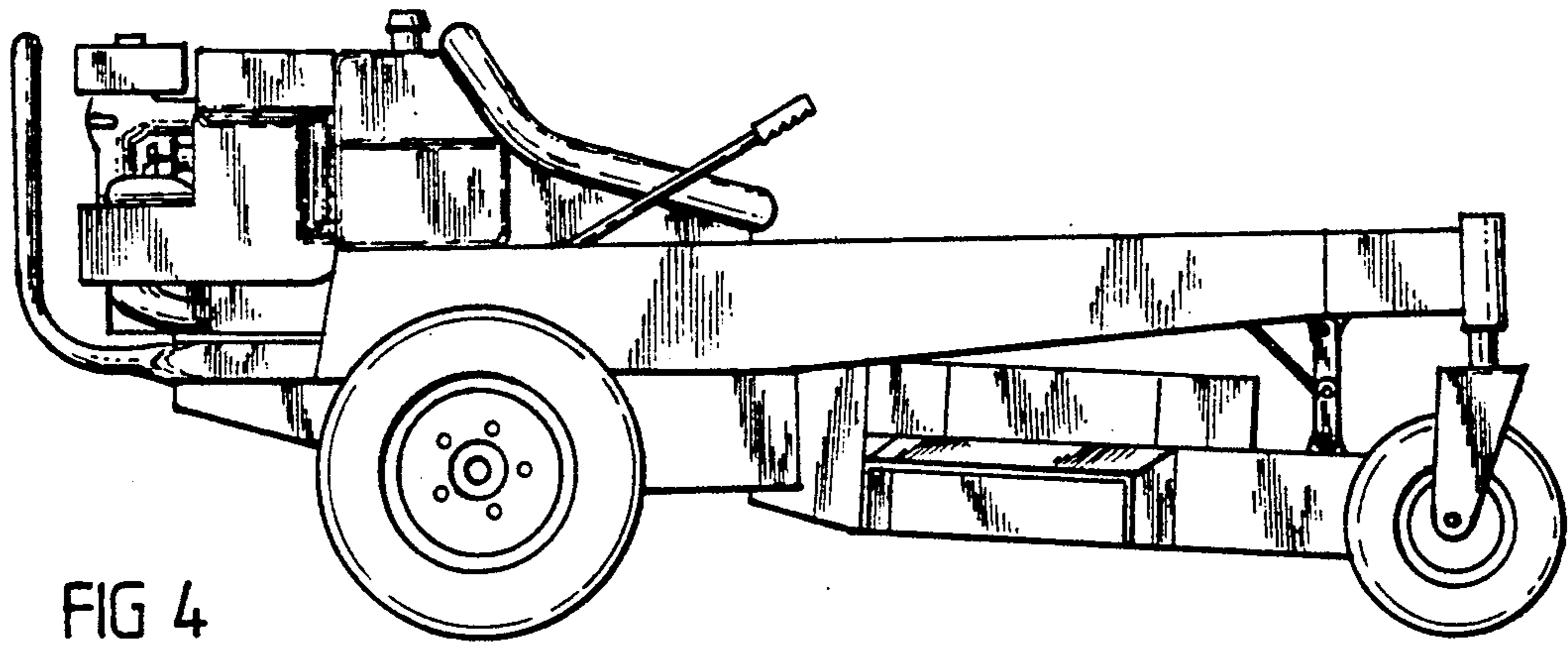


FIG 4

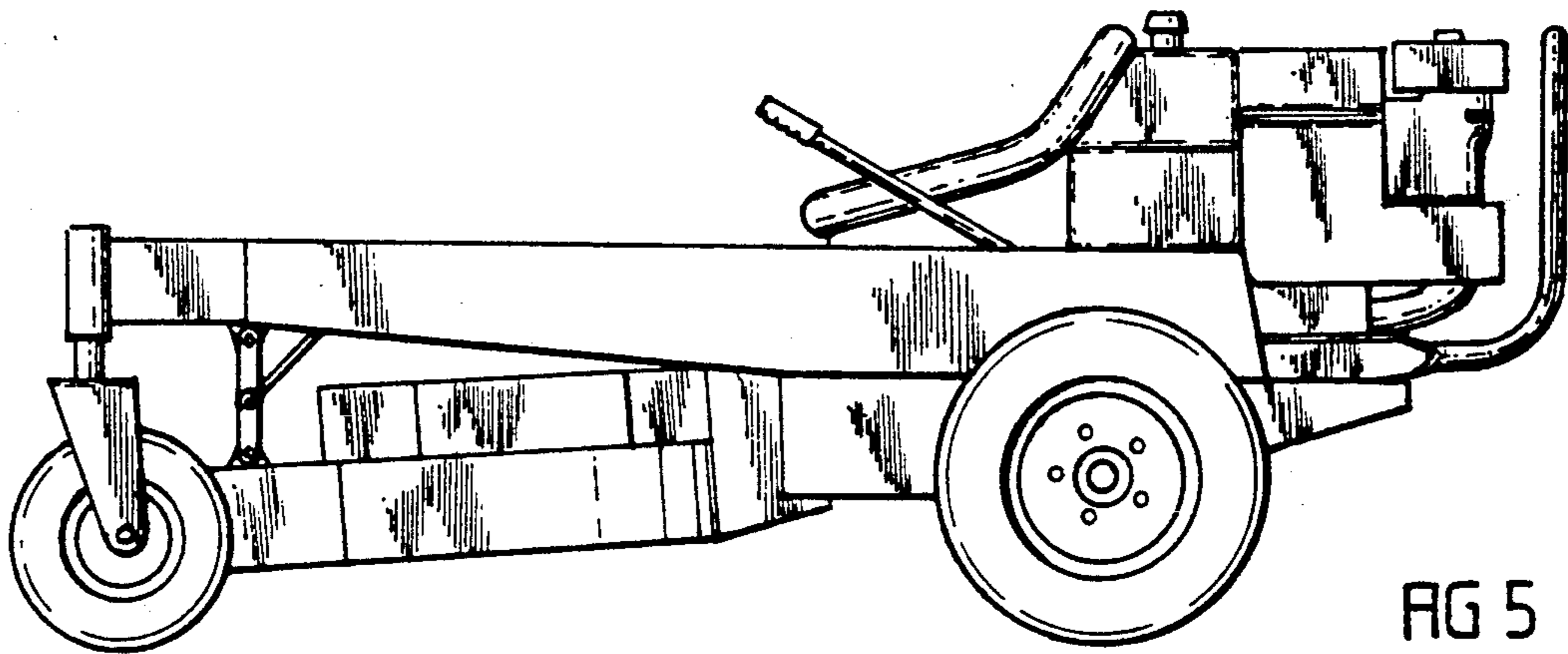


FIG 5

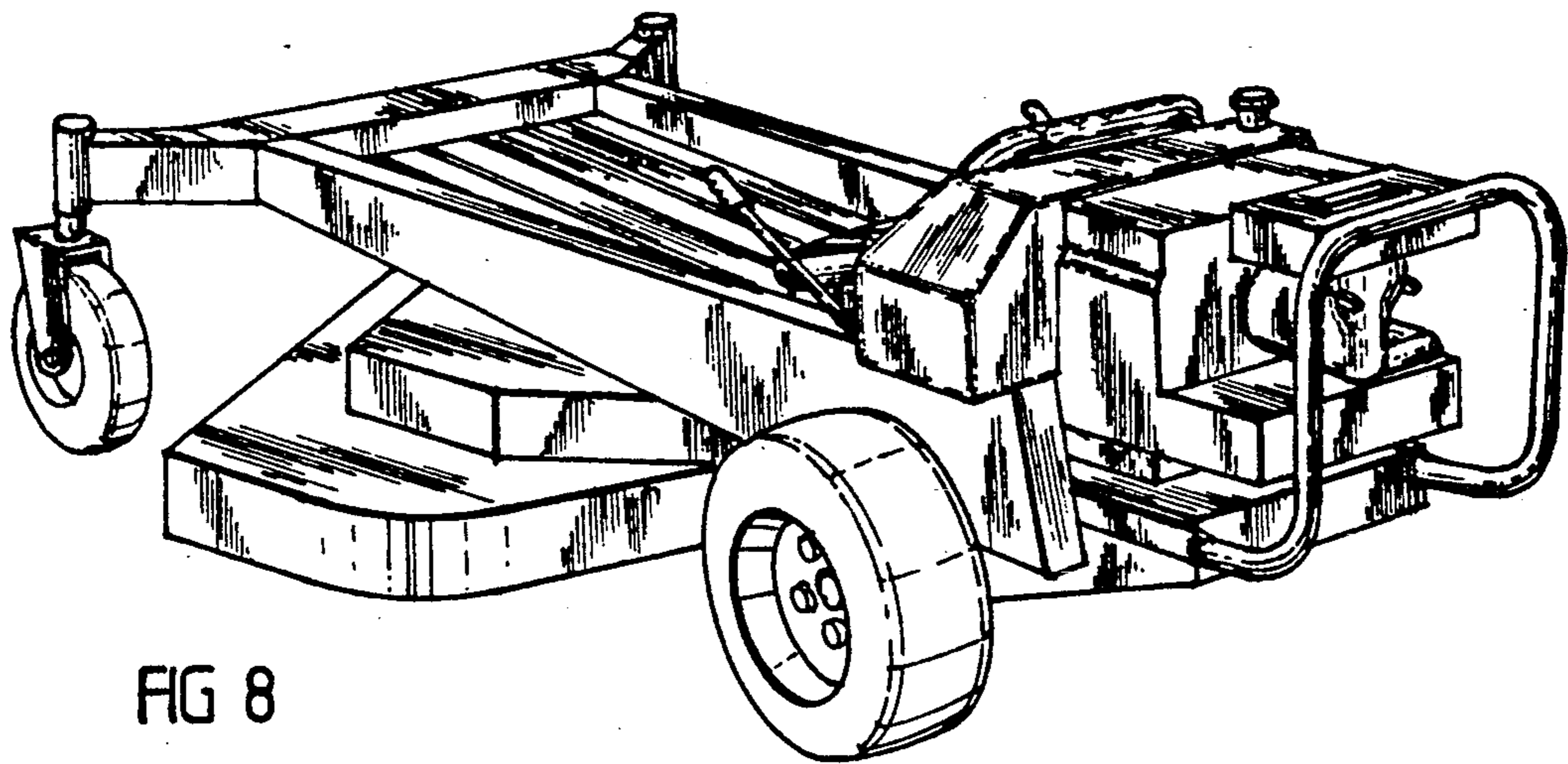


FIG 8

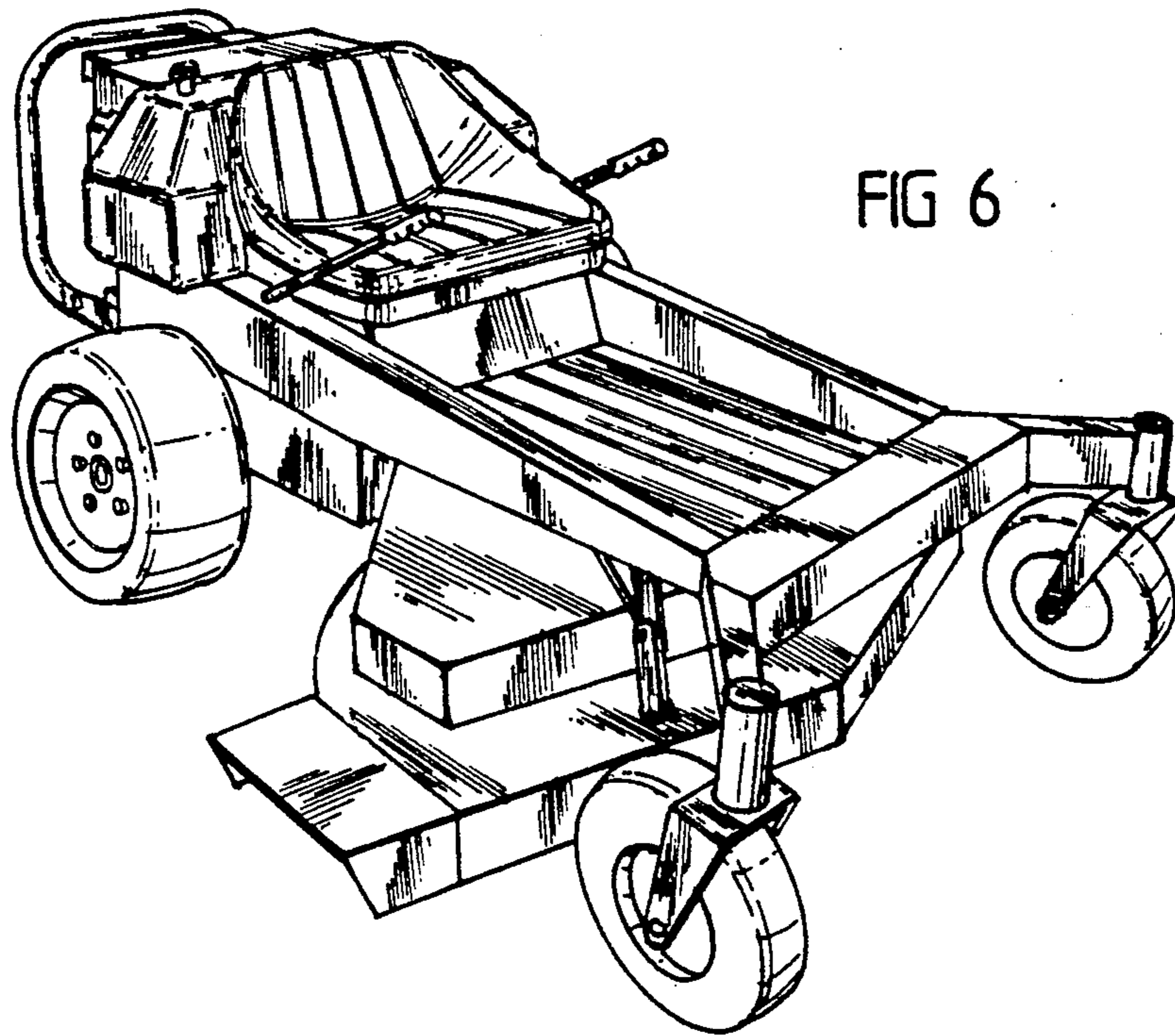


FIG 6

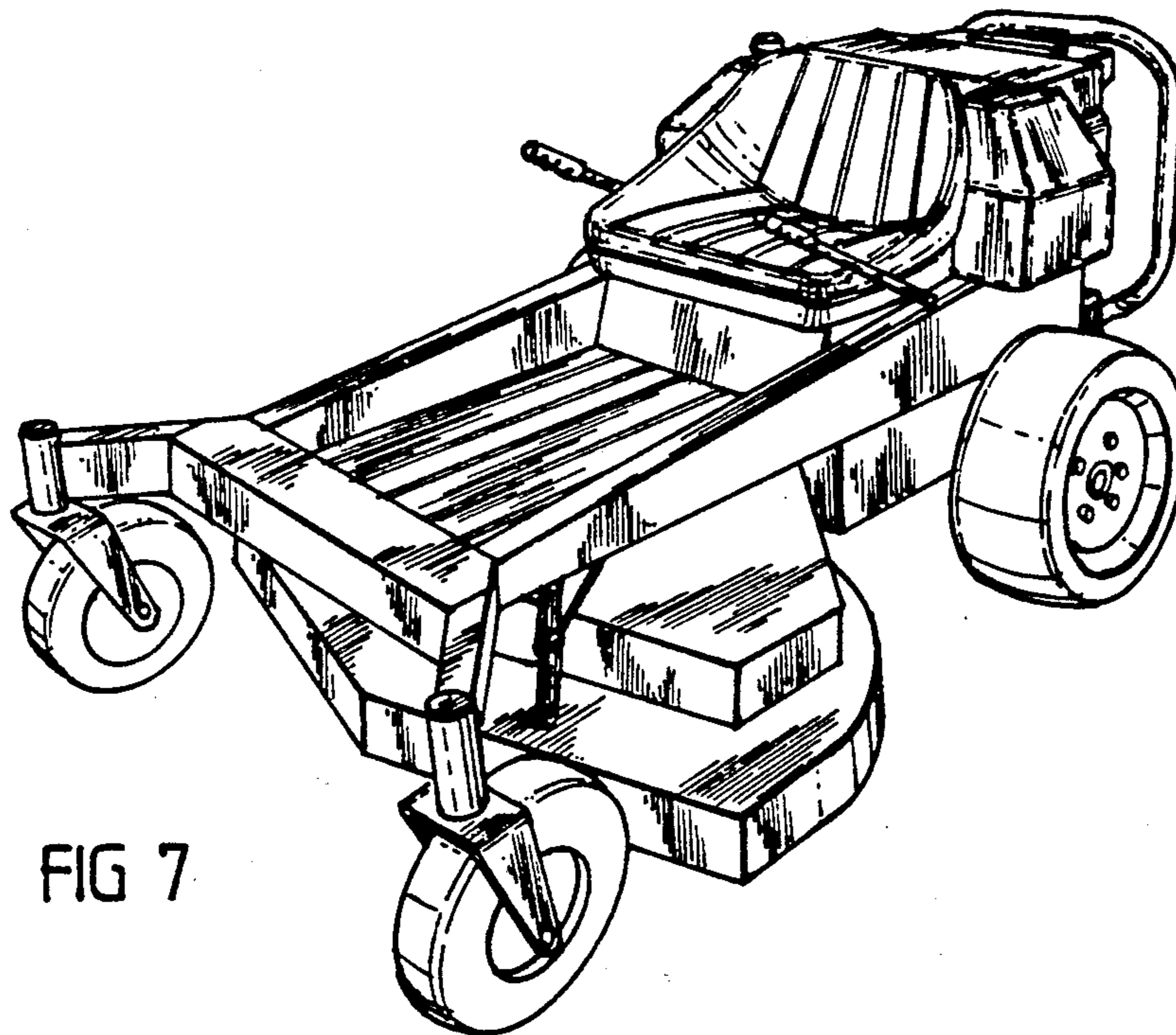


FIG 7