



US00D331242S

United States Patent [19]

[11] Patent Number: Des. 331,242

Milone

[45] Date of Patent: ** Nov. 24, 1992

[54] LAWN MOWER

D. 249,266 9/1978 Furuya D15/14
3,888,072 6/1975 Templeton 56/13.4

[76] Inventor: Anthony P. Milone, 29 Poplar St.,
Gloucester, Mass. 01930

Primary Examiner—Bernard Ansher
Assistant Examiner—Sandra Morris
Attorney, Agent, or Firm—Leon Gilden

[**] Term: 14 Years

[21] Appl. No.: 518,860

[57] CLAIM

[22] Filed: May 4, 1990

The ornamental design for a lawn mower, as shown and described.

[52] U.S. Cl. D15/14

[58] Field of Search D15/14-17;
30/347; 56/13.4, 16.7, 17.5, 202, 255, 294, 295,
320.1, 320.2

DESCRIPTION

[56] References Cited

U.S. PATENT DOCUMENTS

D. 211,264 6/1968 Stewart et al. D15/17
D. 215,013 8/1969 Holm D15/14

FIG. 1 is left side elevational view of a lawn mower, showing my new design;
FIG. 2 is a right side elevational view thereof;
FIG. 3 is a front elevational view thereof;
FIG. 4 is a rear elevational view thereof;
FIG. 5 is a top plan view thereof; and,
FIG. 6 is a bottom plan view thereof.

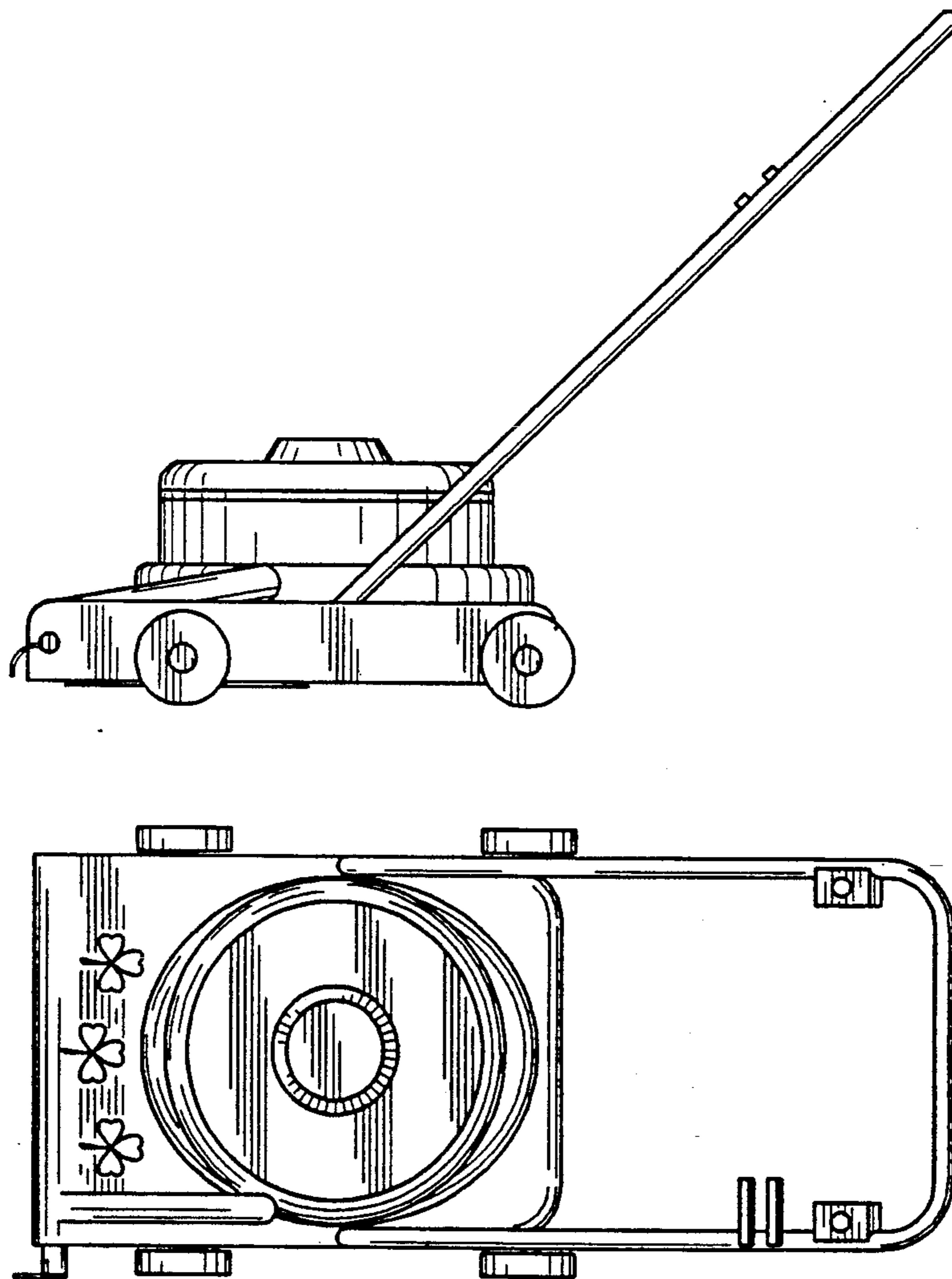


FIG. 1

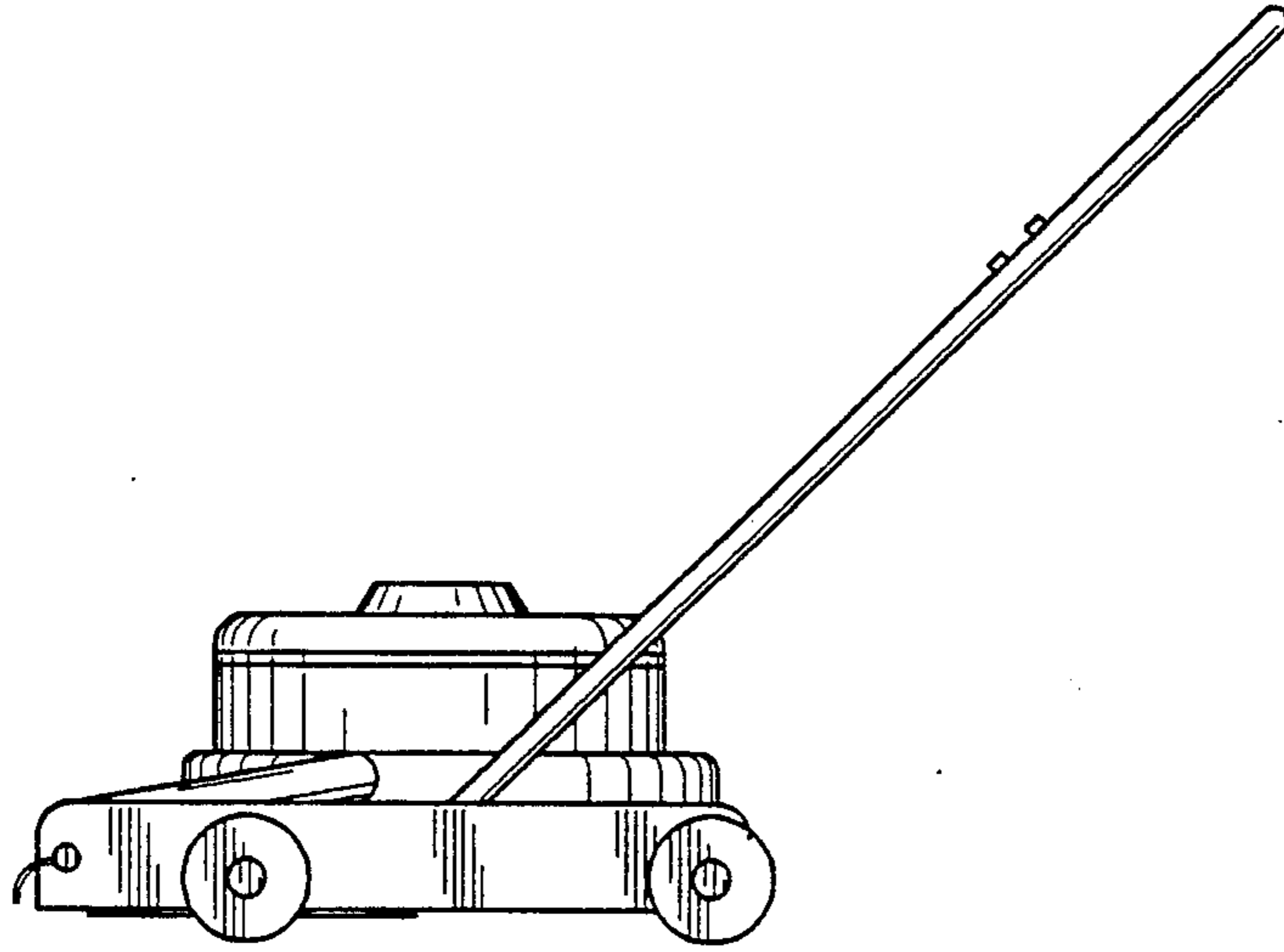


FIG. 2

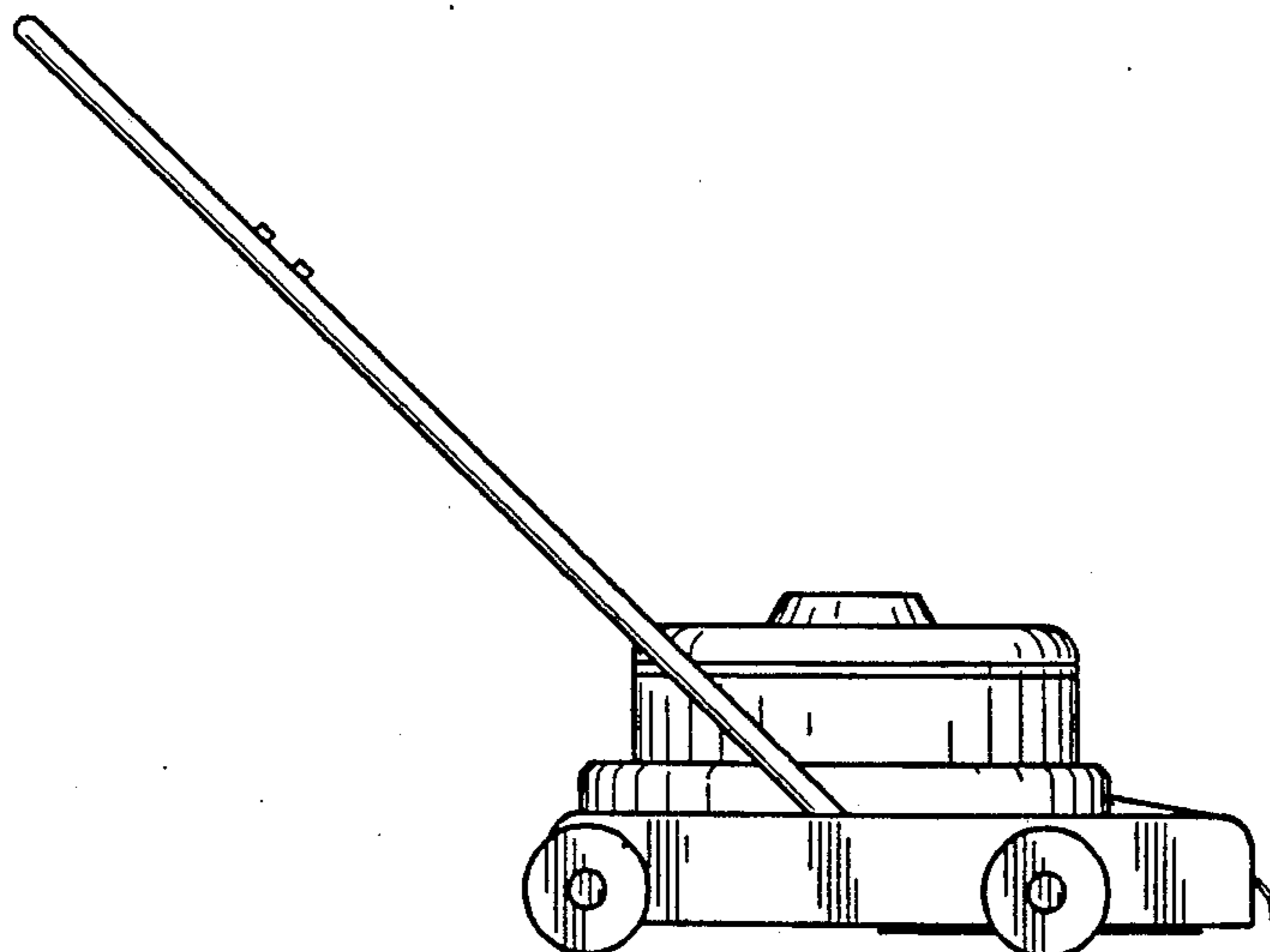


FIG. 3

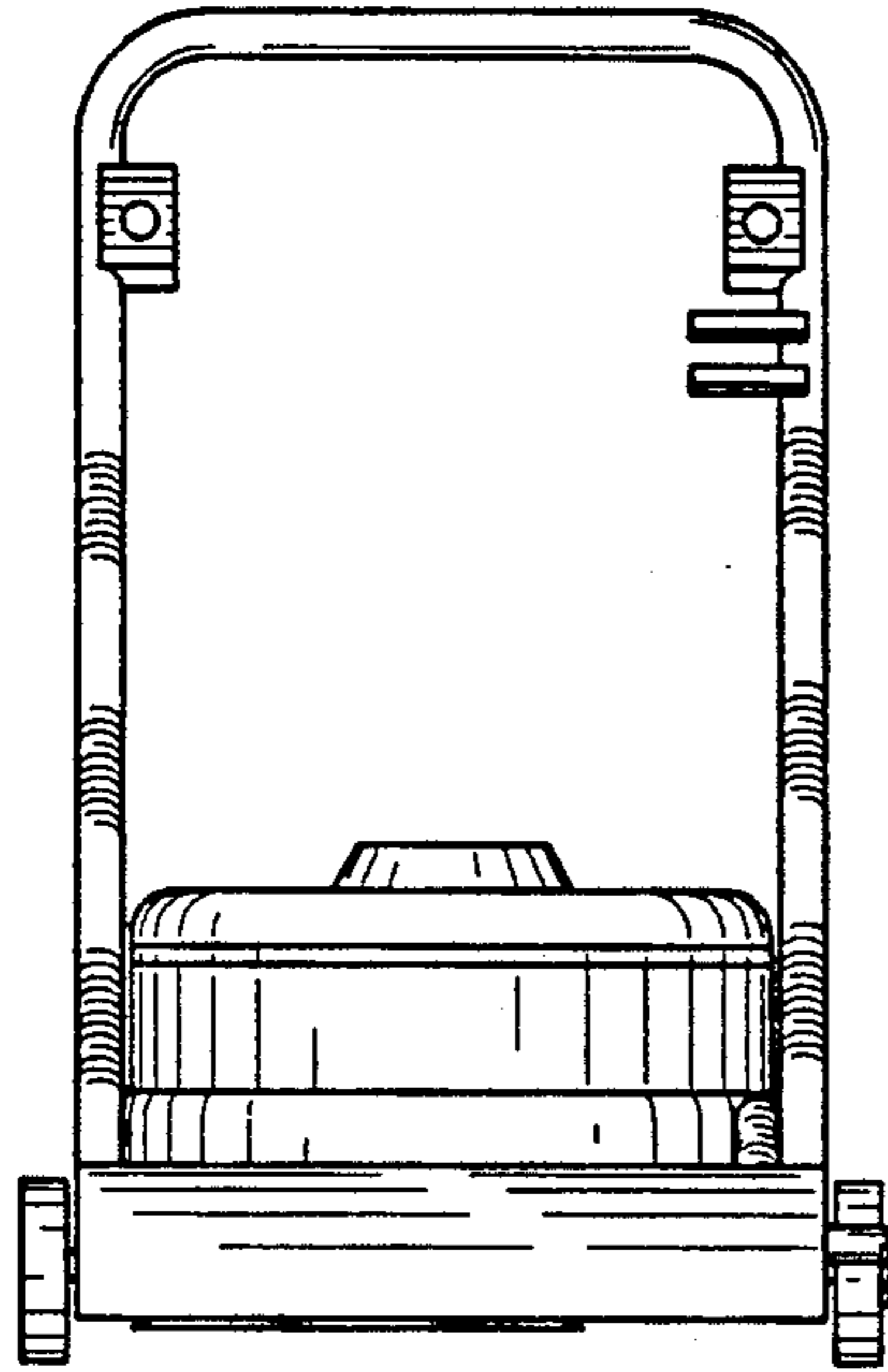


FIG. 4

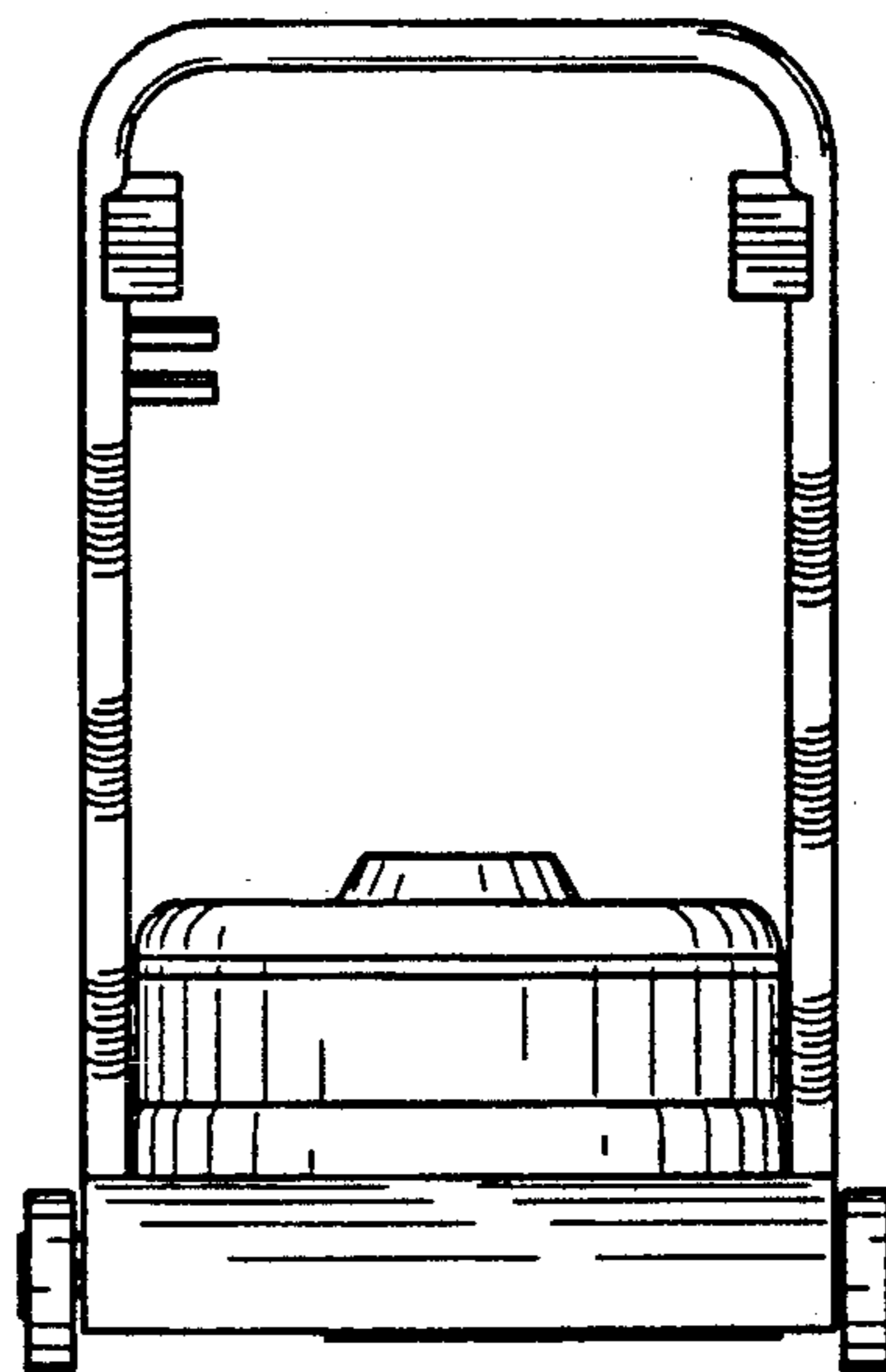


FIG. 5

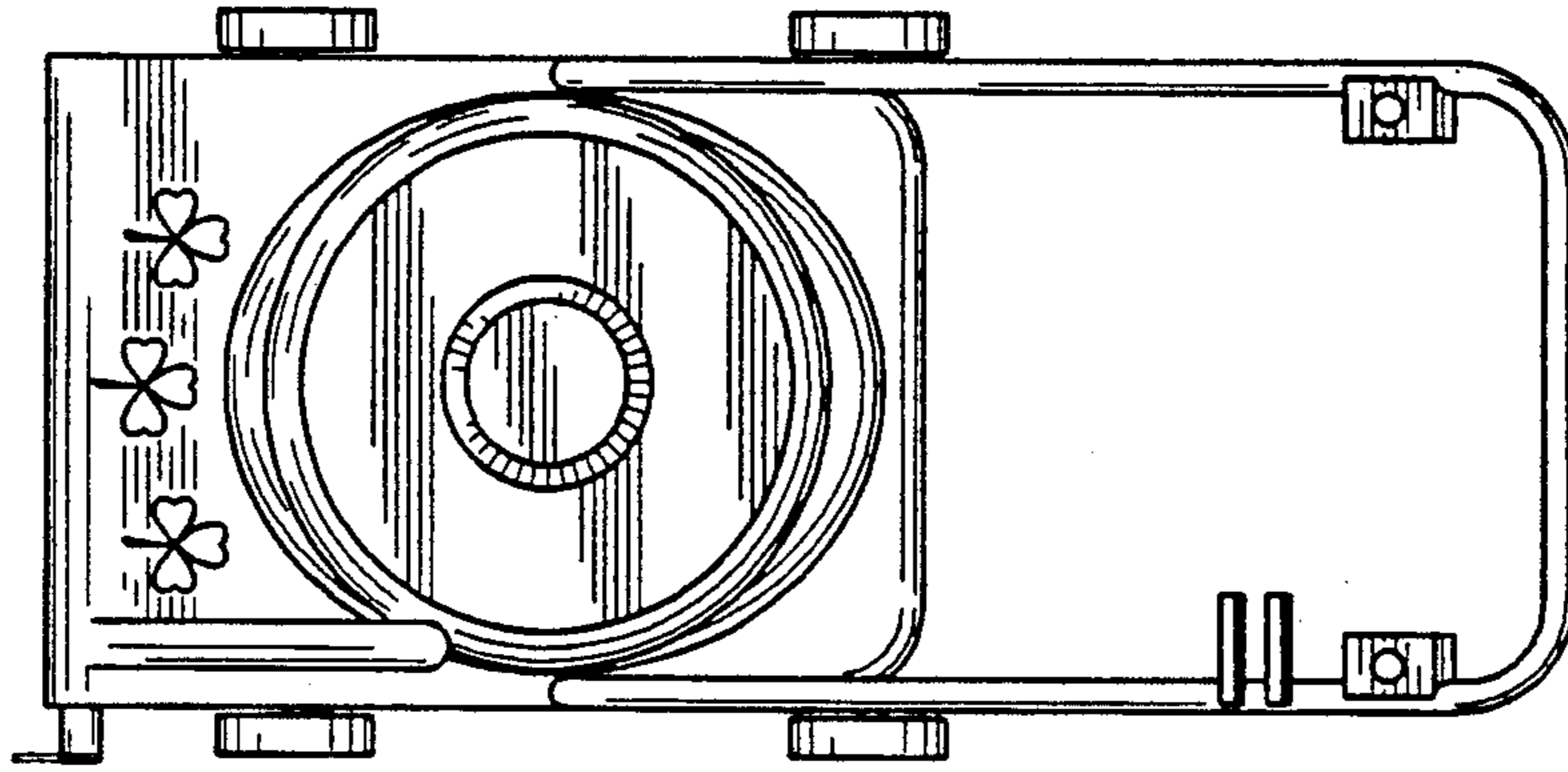


FIG. 6

