



US00D331241S

United States Patent [19]

[11] Patent Number: **Des. 331,241**

Price et al.

[45] Date of Patent: **** Nov. 24, 1992**

[54] **COMBINED INFLATOR AND DEFLATOR COUPLER**

3,370,711	2/1968	Hitzelberger et al.	210/448
3,868,325	2/1975	Otto	210/437
4,562,612	1/1986	Williams et al.	417/151
4,759,842	7/1988	Frees et al.	210/446

[75] Inventors: **Scott D. Price**, Pylesville, Md.;
Steven A. Anderson; **Mark E. Snetting**, both of Eden Prairie, Minn.

FOREIGN PATENT DOCUMENTS

7925382 4/1982 Fed. Rep. of Germany .

[73] Assignee: **Black & Decker Inc.**, Newark, Del.

Primary Examiner—A. Hugo Word

[**] Term: **14 Years**

Assistant Examiner—R. Seifert

[21] Appl. No.: **608,156**

Attorney, Agent, or Firm—Dennis A. Dearing; John D. Del Ponti; Charles E. Yocum

[22] Filed: **Nov. 2, 1990**

[57] **CLAIM**

[52] U.S. Cl. **D15/9; D15/5; D15/7**

The ornamental design for a combined inflator and deflator coupler, as shown and described.

[58] Field of Search **D15/1-5; 141/297, 37, 38; 15/409; 417/151; D12/317; 210/448, 446, 437; 137/455**

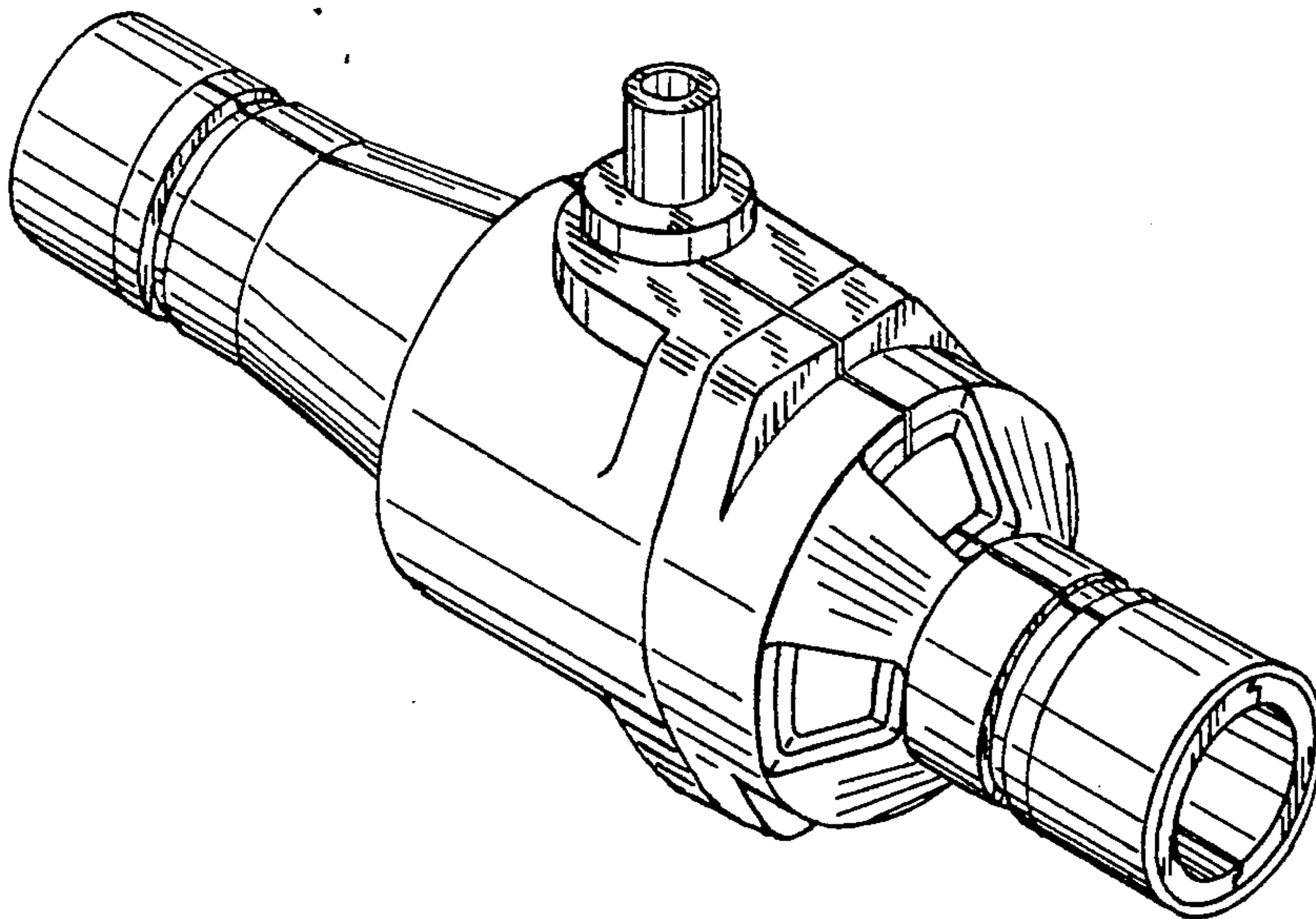
DESCRIPTION

[56] **References Cited**

U.S. PATENT DOCUMENTS

D. 252,630	8/1979	Howes	D15/7
D. 260,810	9/1981	Cleveland	D15/5
1,943,187	1/1934	Re Vley et al.	417/151
2,740,609	4/1956	Richardson et al.	15/409

FIG. 1 is a perspective view of a combined inflator and deflator coupler showing our new design;
FIG. 2 is a top plan view thereof;
FIG. 3 is a bottom plan view thereof;
FIG. 4 is a left side elevational view thereof;
FIG. 5 is a right side elevational view thereof;
FIG. 6 is a front elevational view thereof; and,
FIG. 7 is a rear elevational view thereof.



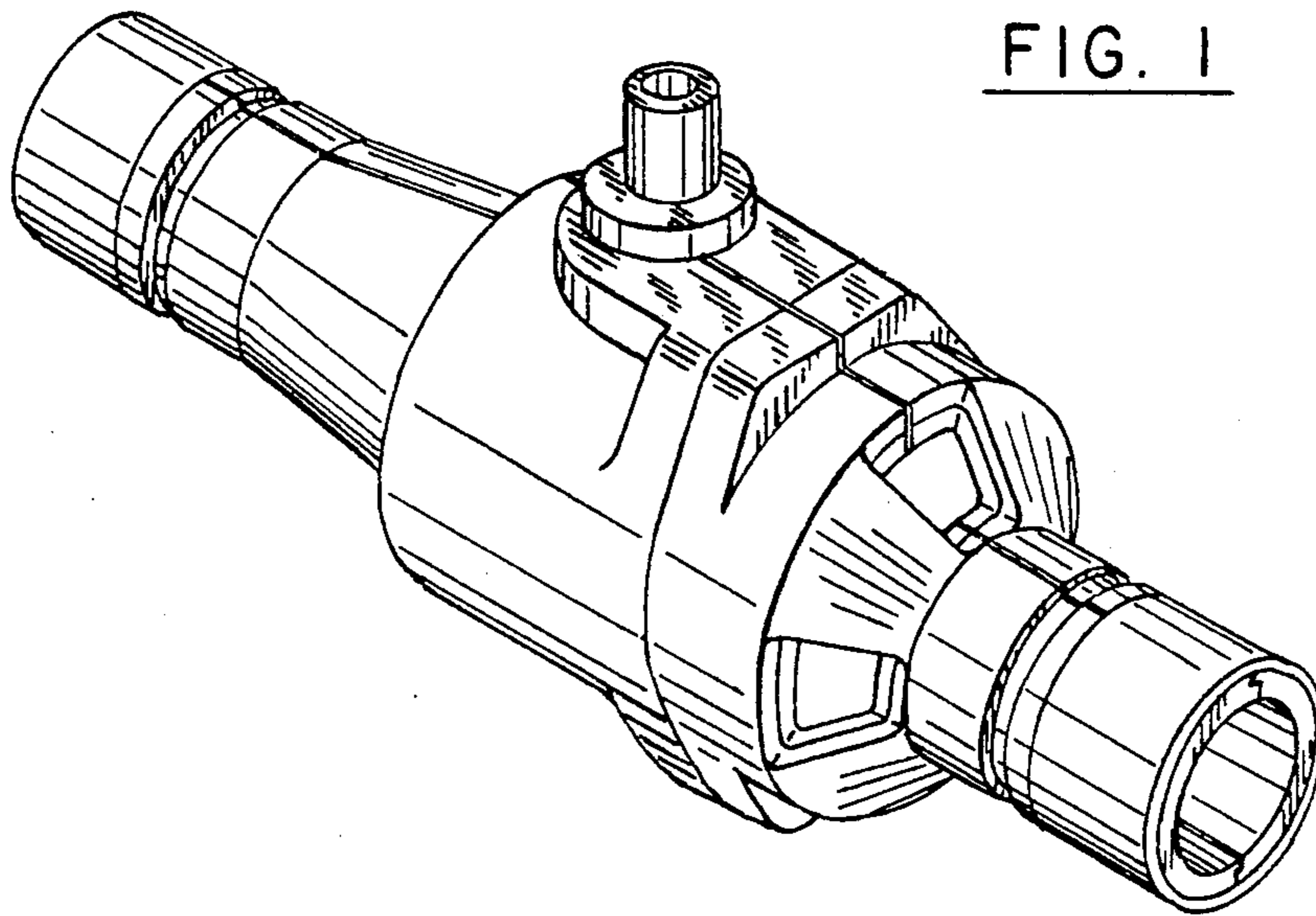


FIG. 1

FIG. 2

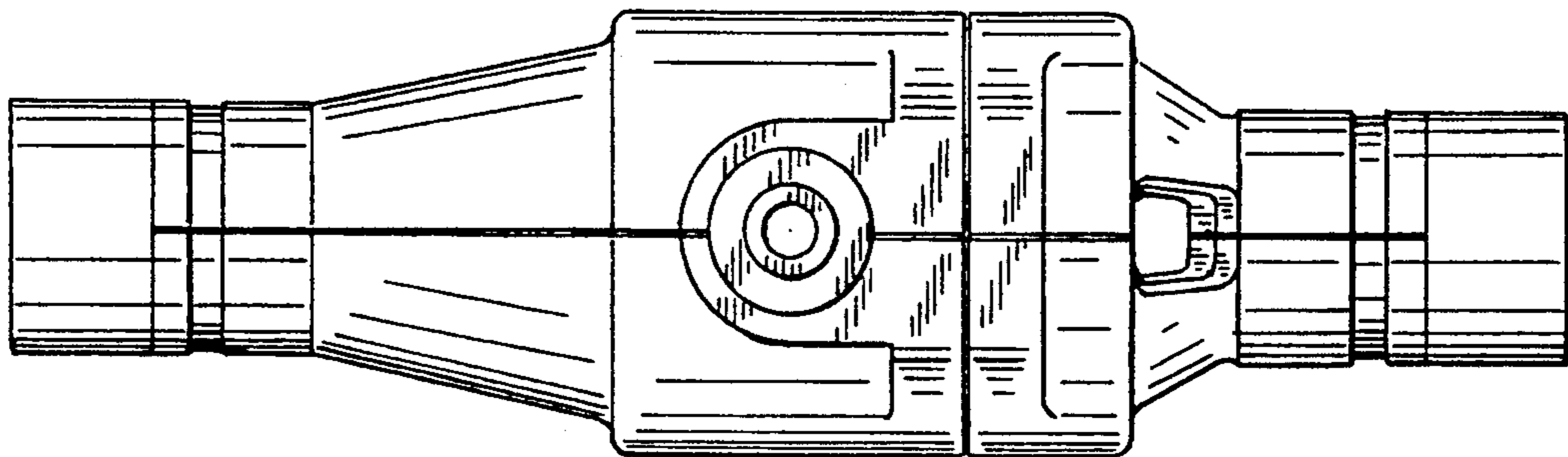


FIG. 3

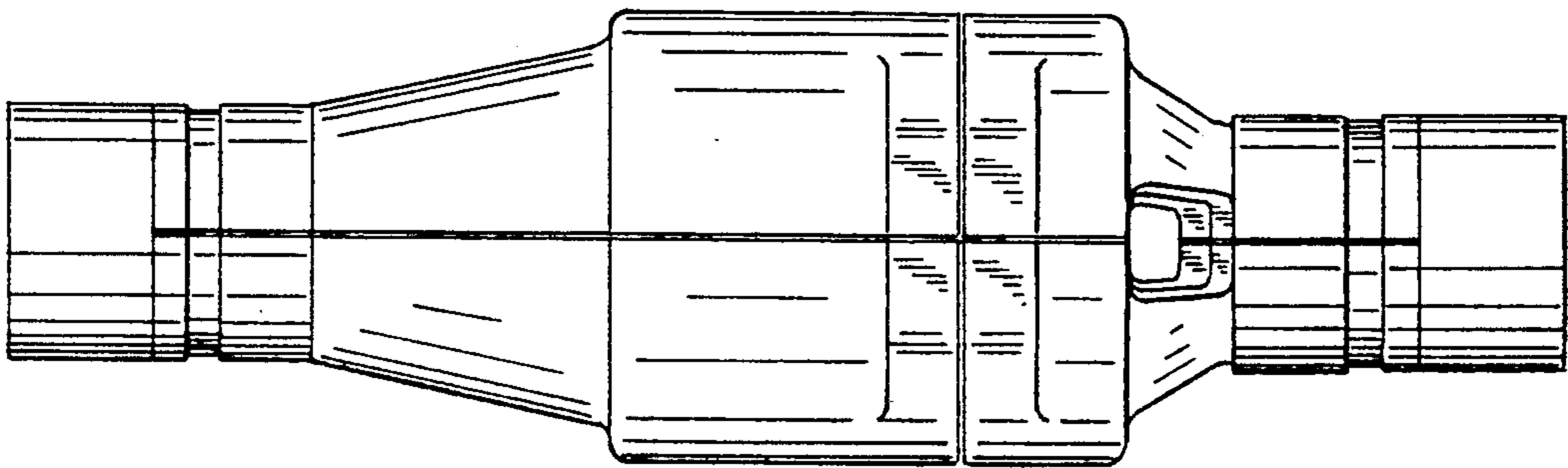


FIG. 4

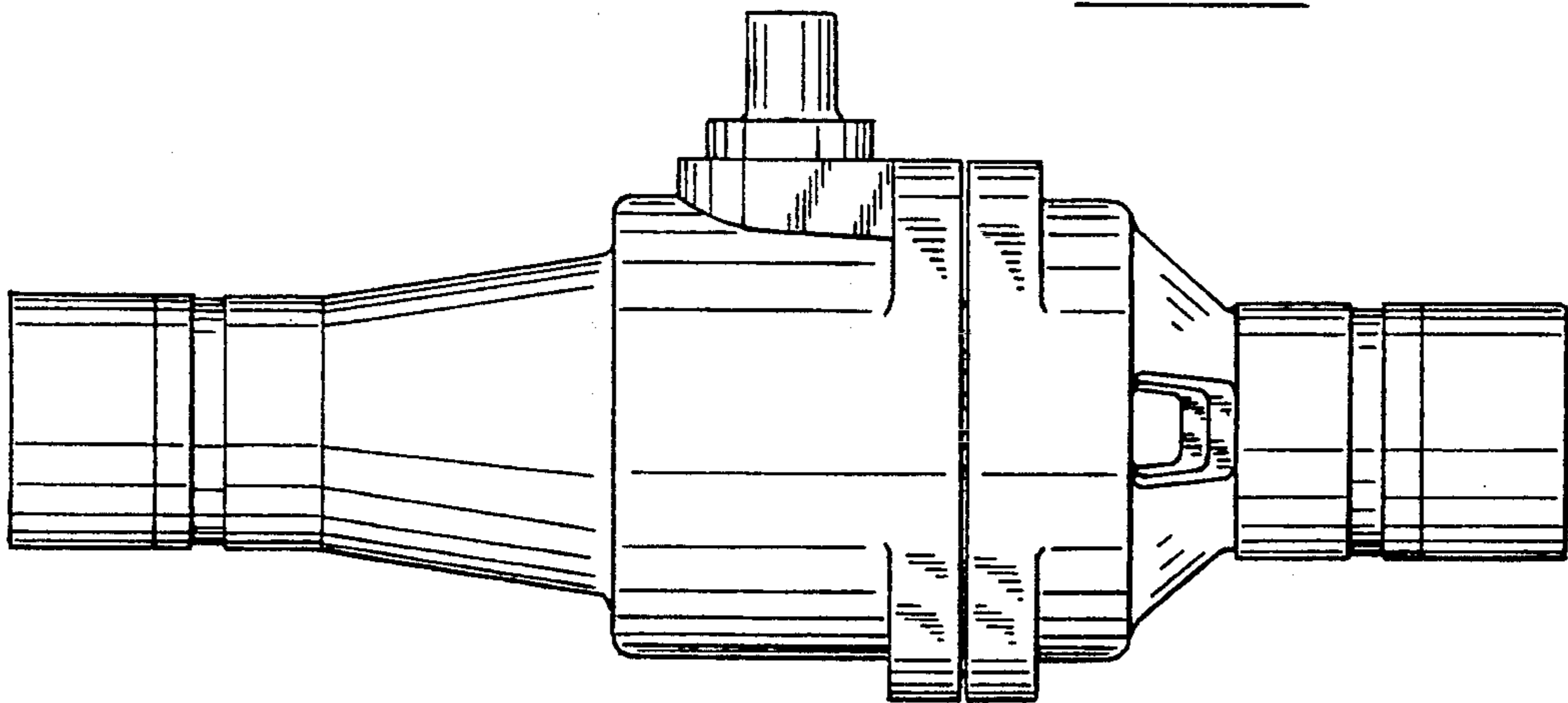


FIG. 5

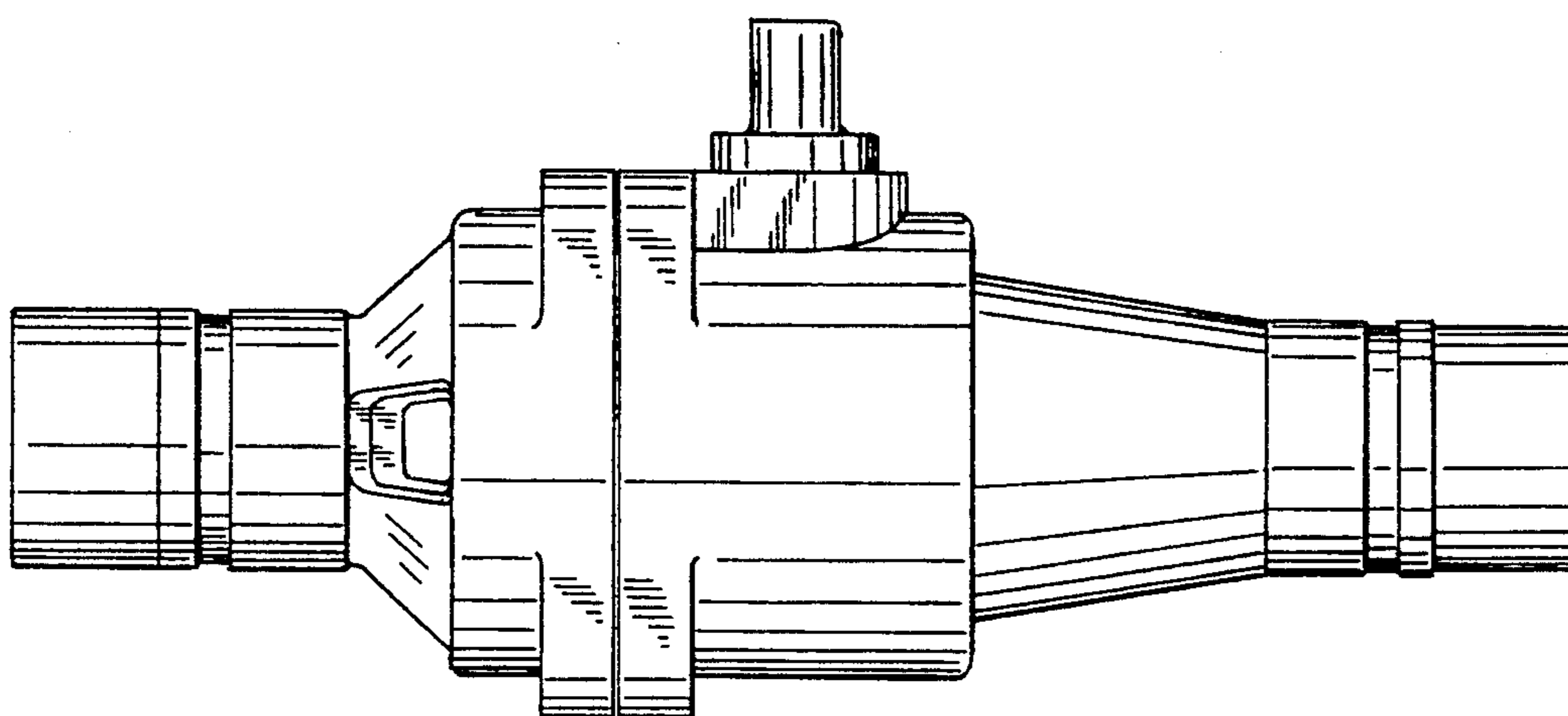


FIG. 6

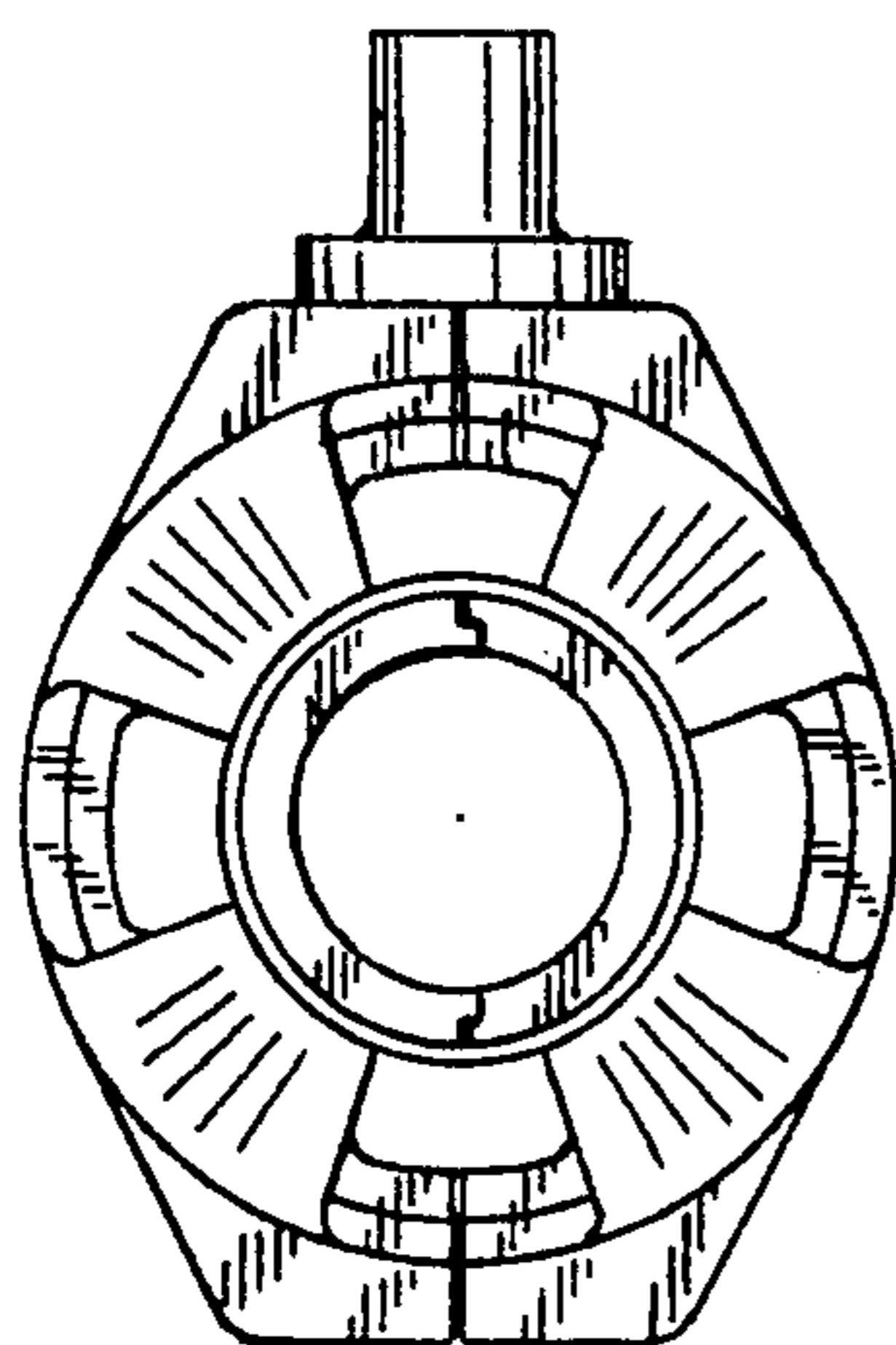


FIG. 7

