



US00D331239S

# United States Patent [19]

Iwai

[11] Patent Number: Des. 331,239

[45] Date of Patent: \*\* Nov. 24, 1992

[54] FUEL PUMP

[75] Inventor: Shingo Iwai, Fukuyama, Japan

[73] Assignee: Mitsubishi Denki Kabushiki Kaisha, Tokyo, Japan

[\*\*] Term: 14 Years

[21] Appl. No.: 424,564

[22] Filed: Oct. 20, 1989

[30] Foreign Application Priority Data

Apr. 22, 1989 [JP] Japan ..... 1-14956

[52] U.S. Cl. .... D15/7

[58] Field of Search ..... D15/5, 7, 9.1;  
417/423.15, 323-325, 423.5, 423, 423.14; 92/98  
R; 123/495, 497, 449, 458, 490, 498, 499;  
74/425

[56] References Cited

U.S. PATENT DOCUMENTS

D. 178,799 9/1956 Long ..... D15/7  
D. 244,750 6/1977 Roberts et al. .... D15/7  
4,421,076 12/1983 Sasaki ..... 123/499  
4,900,960 2/1990 Becker et al. .... 74/425

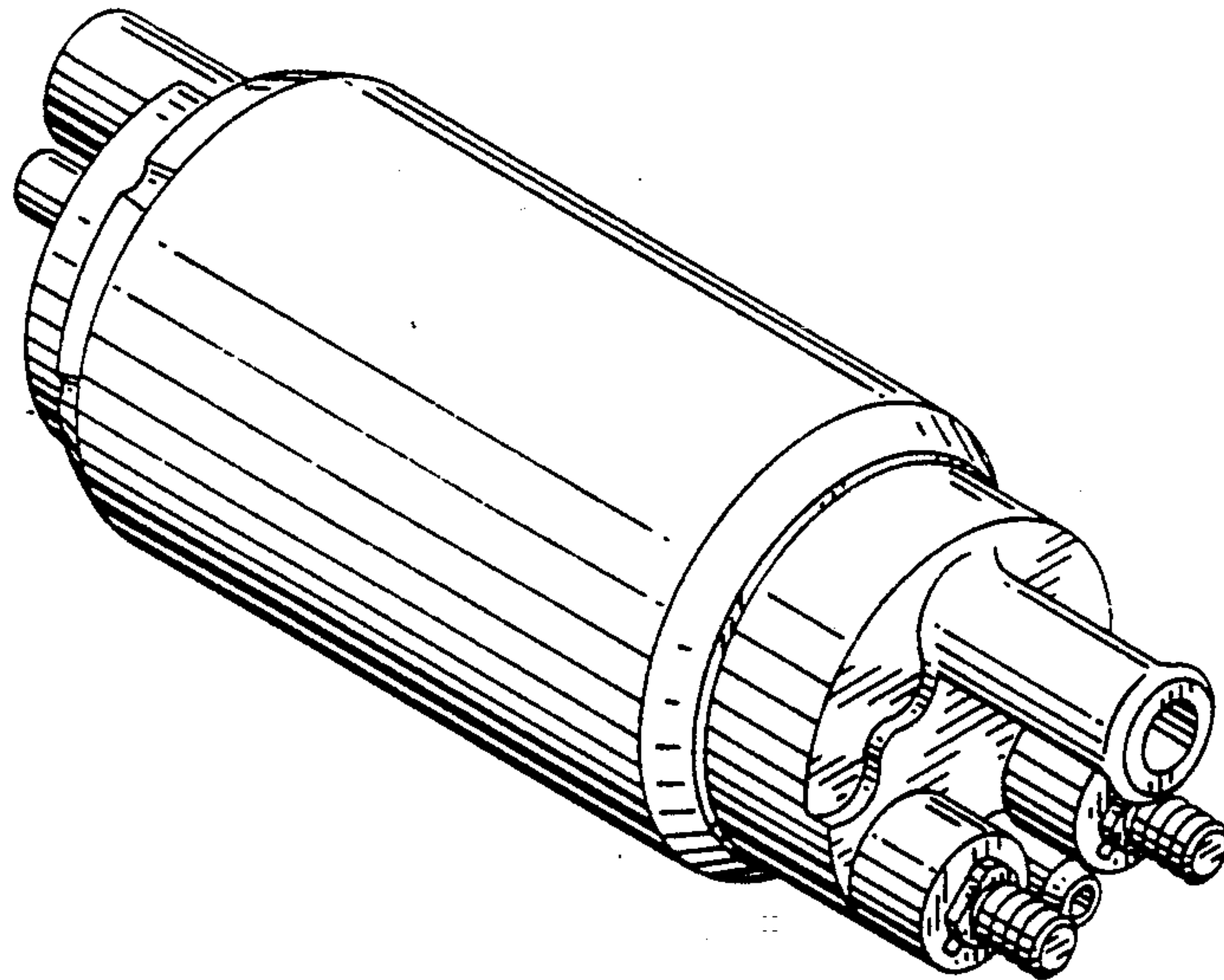
Primary Examiner—Stella Reid  
Assistant Examiner—R. Seifert  
Attorney, Agent, or Firm—Burns, Doane, Swecker & Mathis

[57] CLAIM

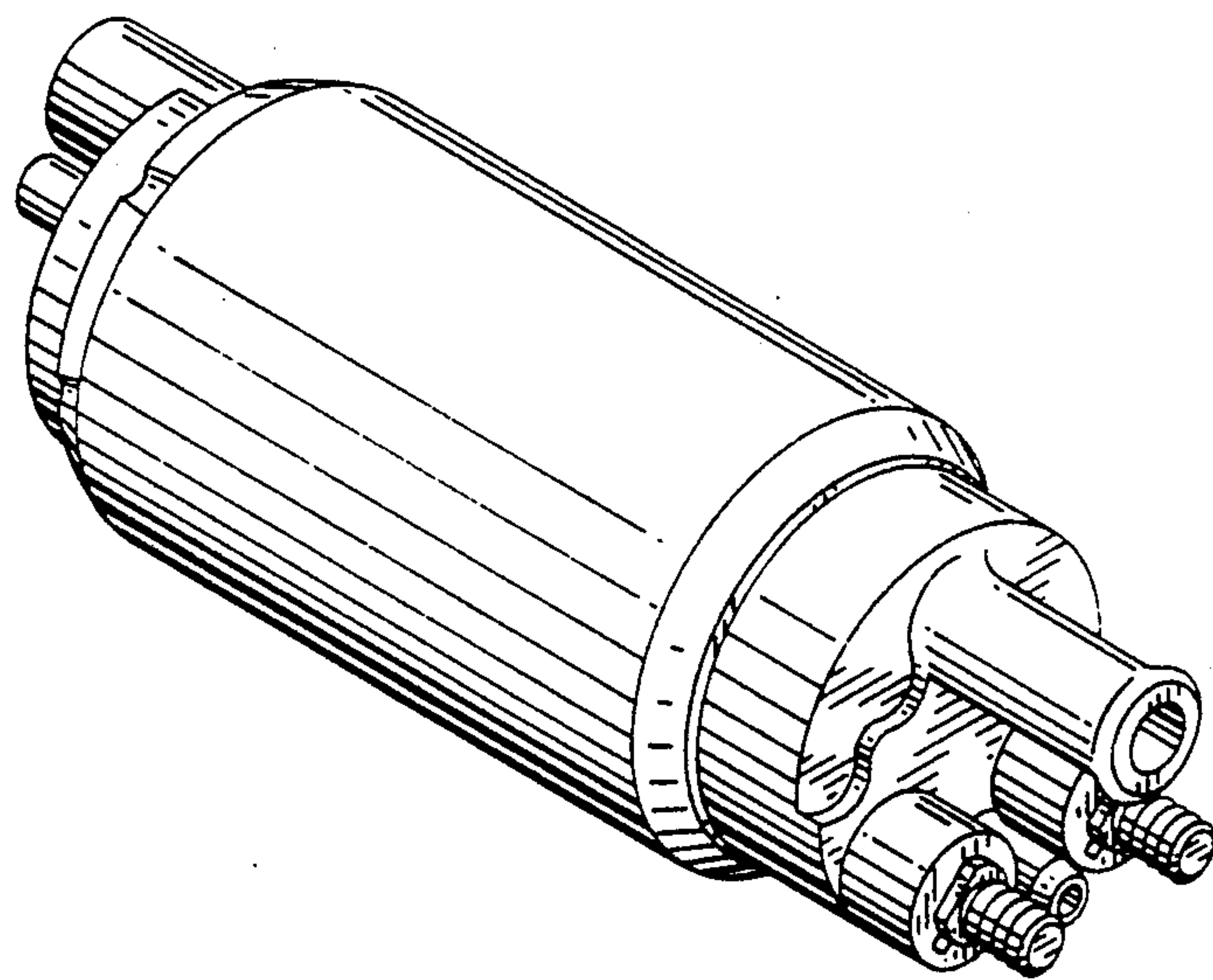
The ornamental design for a fuel pump, as shown and described.

DESCRIPTION

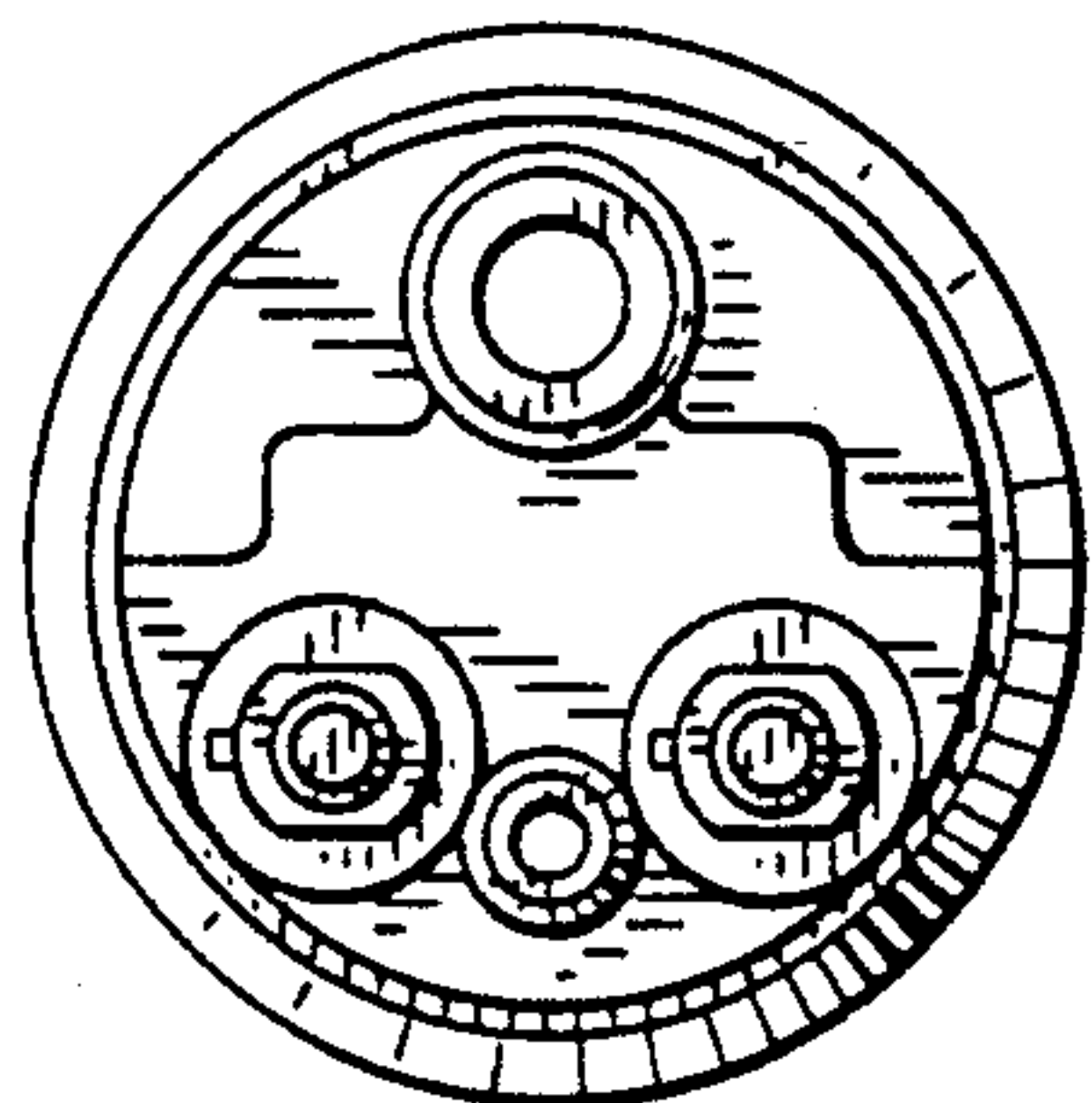
FIG. 1 is a perspective view of a fuel pump showing my new design;  
FIG. 2 is a front elevational view;  
FIG. 3 is a rear elevational view;  
FIG. 4 is a top plan view;  
FIG. 5 is a bottom plan view;  
FIG. 6 is a left side elevational view; and,  
FIG. 7 is a right side elevational view.



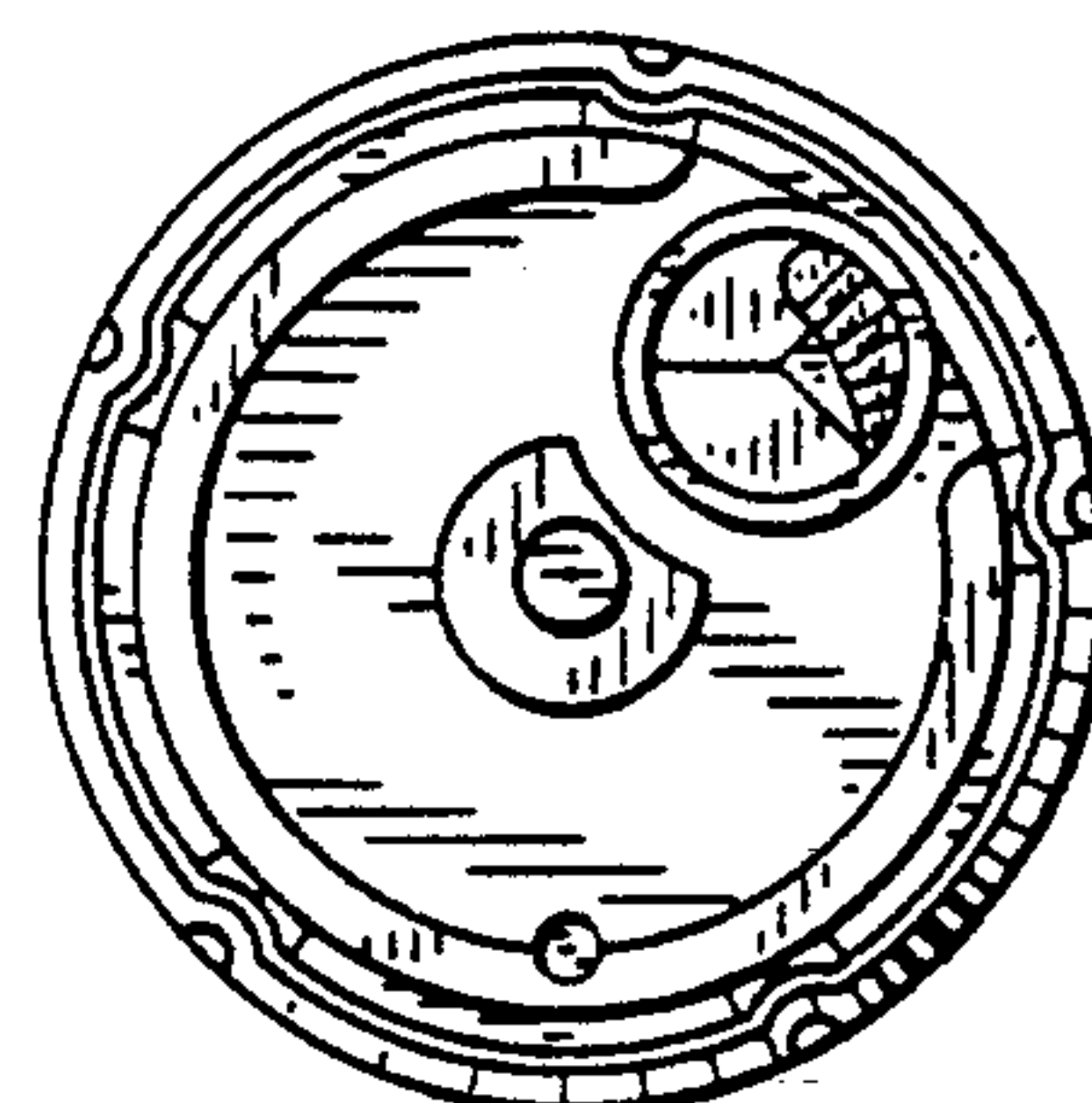
*Fig. 1*



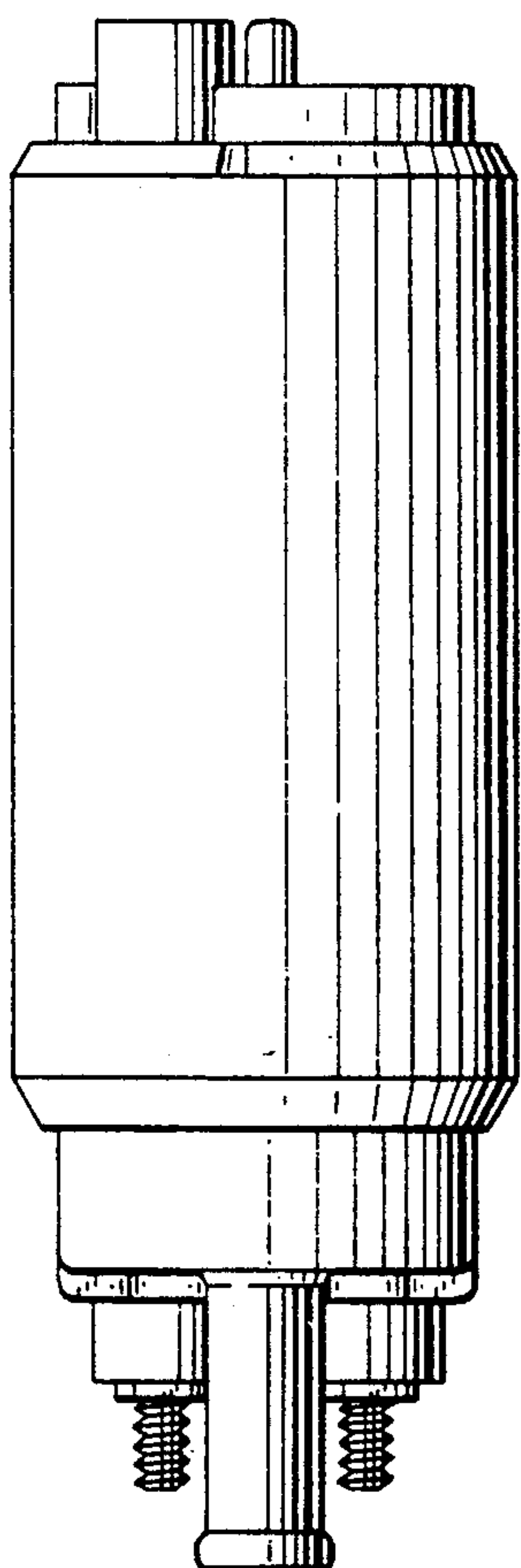
*Fig. 2*



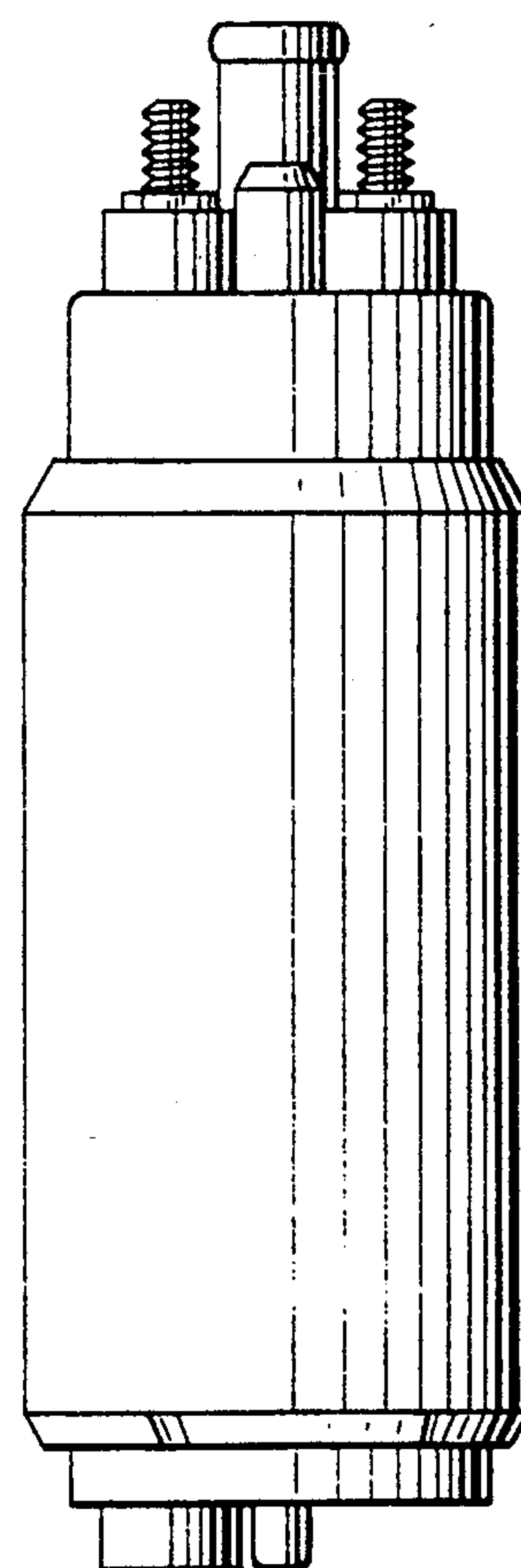
*Fig. 3*



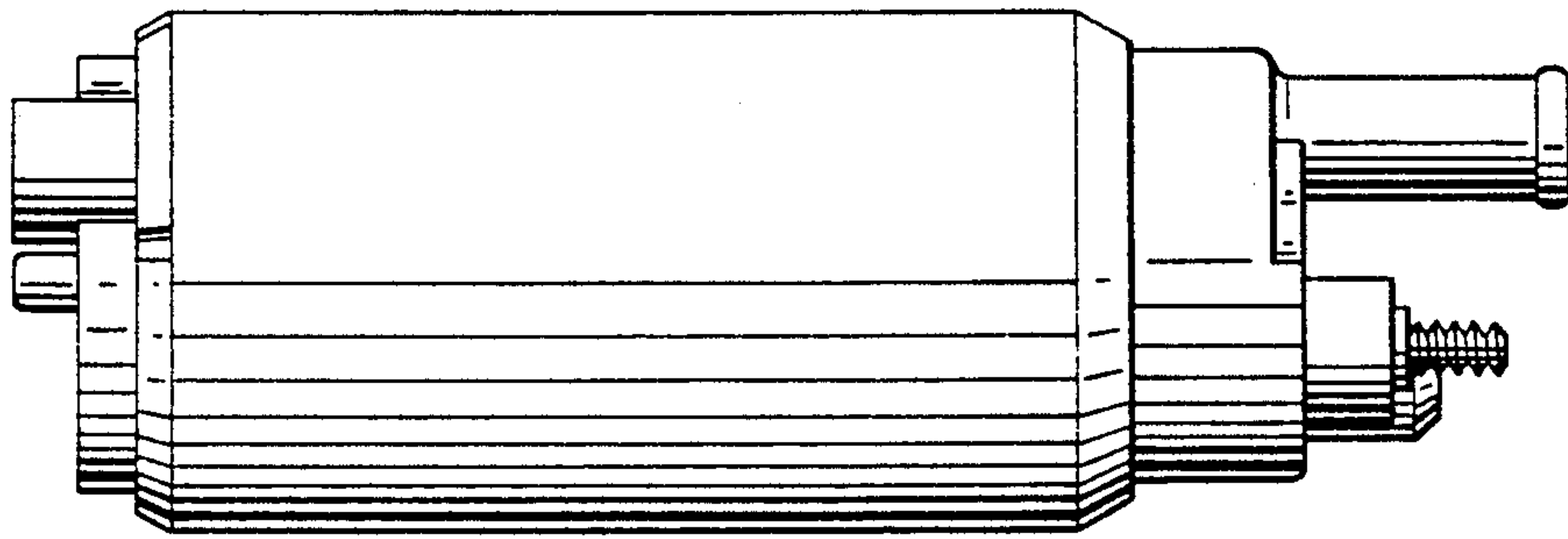
*Fig. 4*



*Fig. 5*



*Fig. 6*



*Fig. 7*

