



US00D331236S

United States Patent [19]

[11] Patent Number: **Des. 331,236**

Grasso et al.

[45] Date of Patent: **** Nov. 24, 1992**

[54] AUDIO CASSETTE

[75] Inventors: **Joseph A. Grasso**, San Jose; **Eric J. Read**, San Anselmo, both of Calif.

[73] Assignee: **Tandy Corporation**, Fort Worth, Tex.

[**] Term: **14 Years**

[21] Appl. No.: **633,441**

[22] Filed: **Dec. 21, 1990**

[52] U.S. Cl. **D14/121**

[58] Field of Search **D14/114, 115, 120-122; 242/71.8, 197-200; 360/132**

[56] References Cited

U.S. PATENT DOCUMENTS

- D. 276,910 12/1984 Lohrer et al. .
- D. 284,077 6/1986 Kikuchi et al. .

FOREIGN PATENT DOCUMENTS

- 756600 3/1989 Japan .
- 772910 10/1989 Japan .
- 781981 2/1990 Japan .

Primary Examiner—Terry A. Pfeffer
Attorney, Agent, or Firm—Townsend and Townsend

[57] CLAIM

The ornamental design for an audio cassette, as shown and described.

DESCRIPTION

FIG. 1 is a top plan view of an audio cassette showing our new design;
 FIG. 2 is a front elevational view thereof, the opposite side being a mirror image;
 FIG. 3 is a right side elevational view thereof, the opposite side being a mirror image; and,
 FIG. 4 is a bottom plan view thereof.

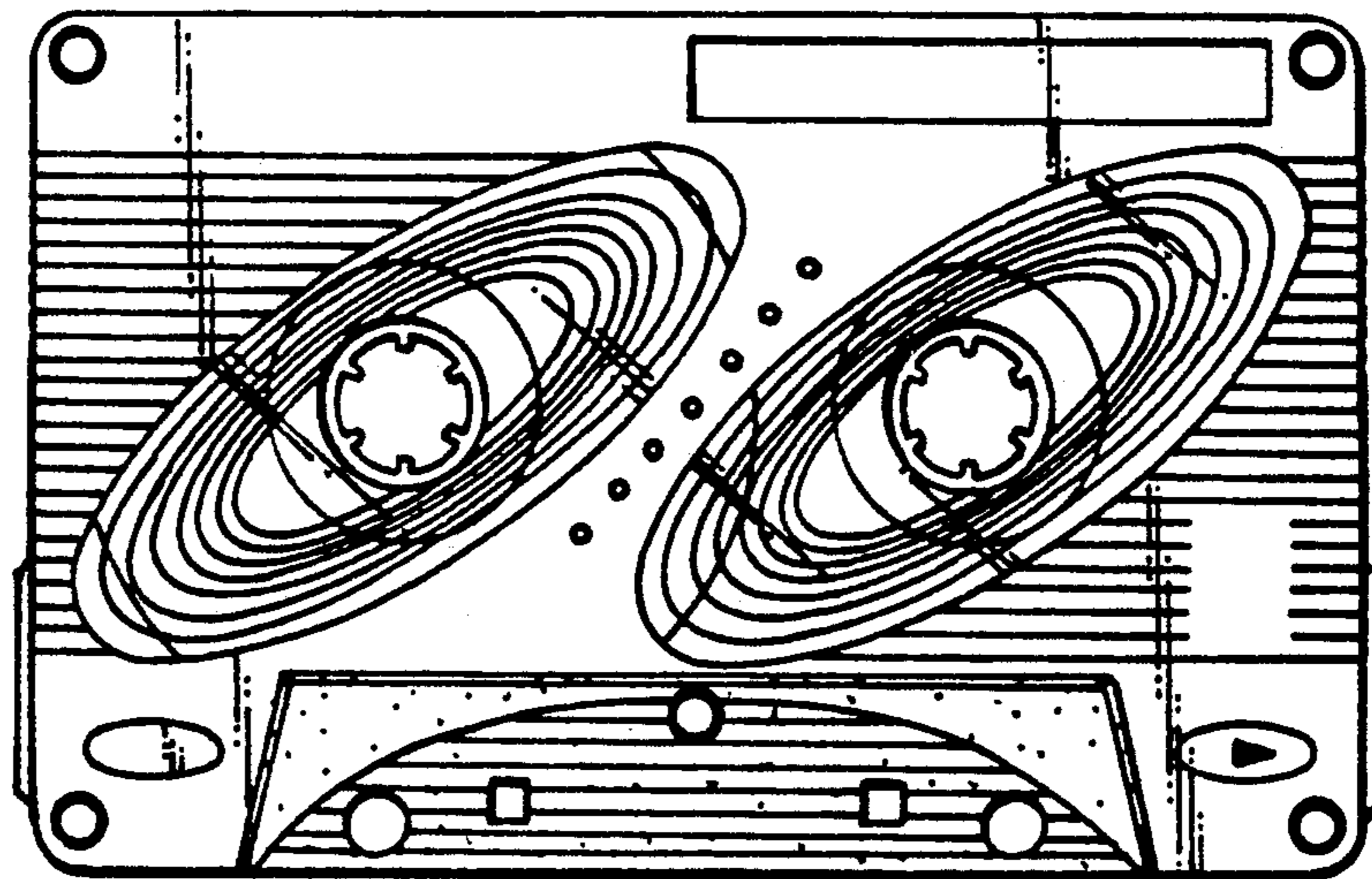




FIG._1.

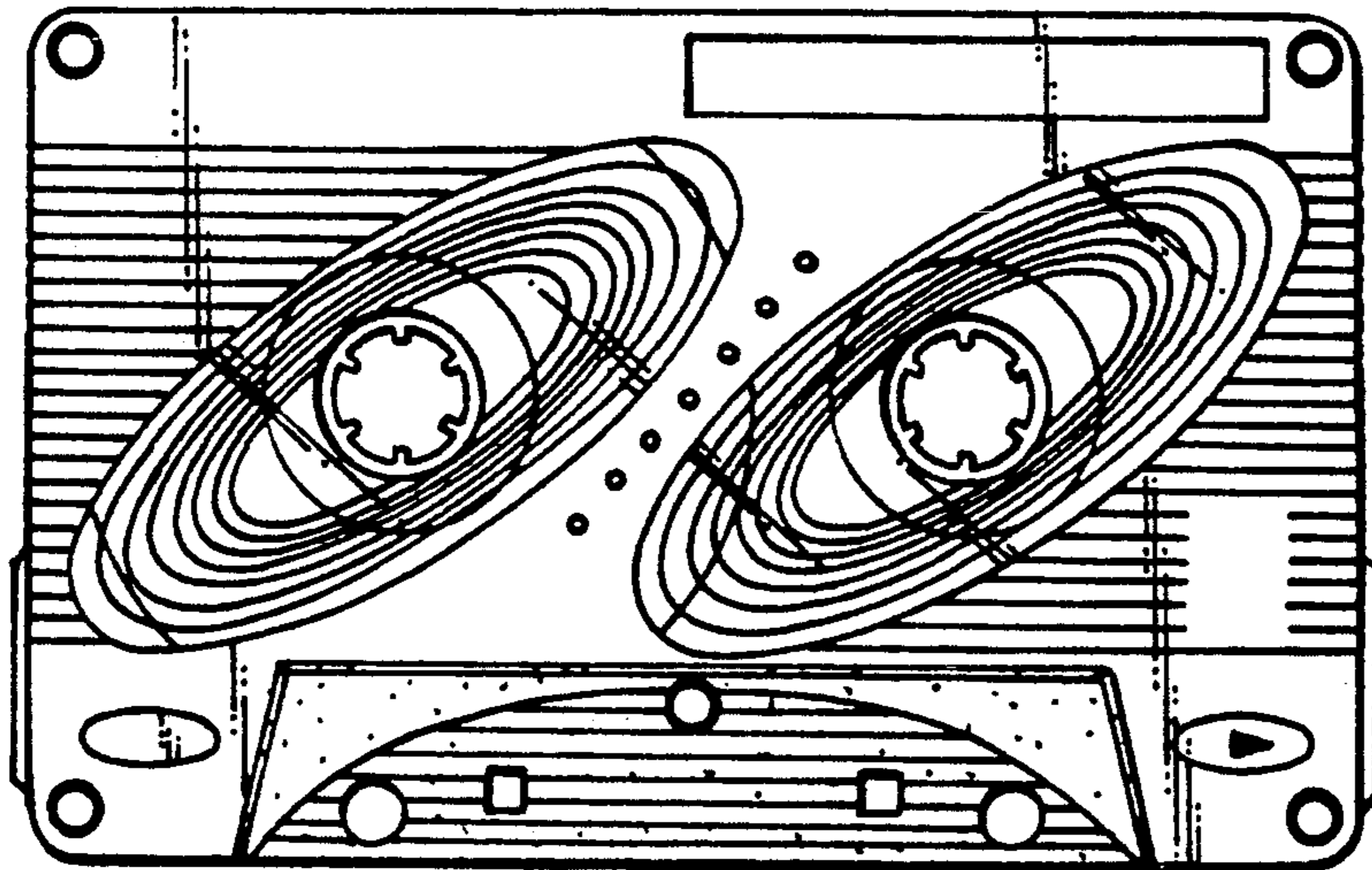


FIG._2.

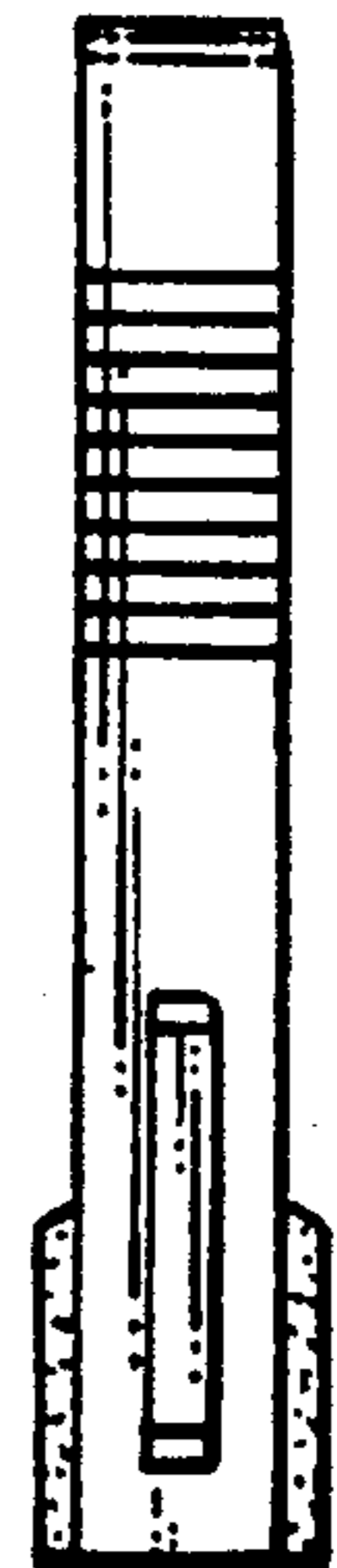


FIG._3.



FIG._4.