



US00D331235S

United States Patent [19]

[11] Patent Number: **Des. 331,235**

Doodson et al.

[45] Date of Patent: **** Nov. 24, 1992**

[54] **DIGITAL COMPACT CASSETTE**

[56] **References Cited**

[75] Inventors: **Peter J. Doodson, Eindhoven;**
Norbert C. Vollmann, Veldhoven,
both of Netherlands

U.S. PATENT DOCUMENTS

D. 293,100 12/1987 Rutkowski et al. D14/121
D. 296,780 7/1988 Kinoshita D14/121
D. 304,031 10/1989 Nishiyama et al. D14/121

[73] Assignee: **U.S. Philips Corporation, New York,**
N.Y.

Primary Examiner—Terry A. Pfeffer
Attorney, Agent, or Firm—Jack E. Haken

[**] Term: **14 Years**

[57] **CLAIM**

The ornamental design for a digital compact cassette, as shown and described.

[21] Appl. No.: **628,862**

DESCRIPTION

[22] Filed: **Dec. 11, 1990**

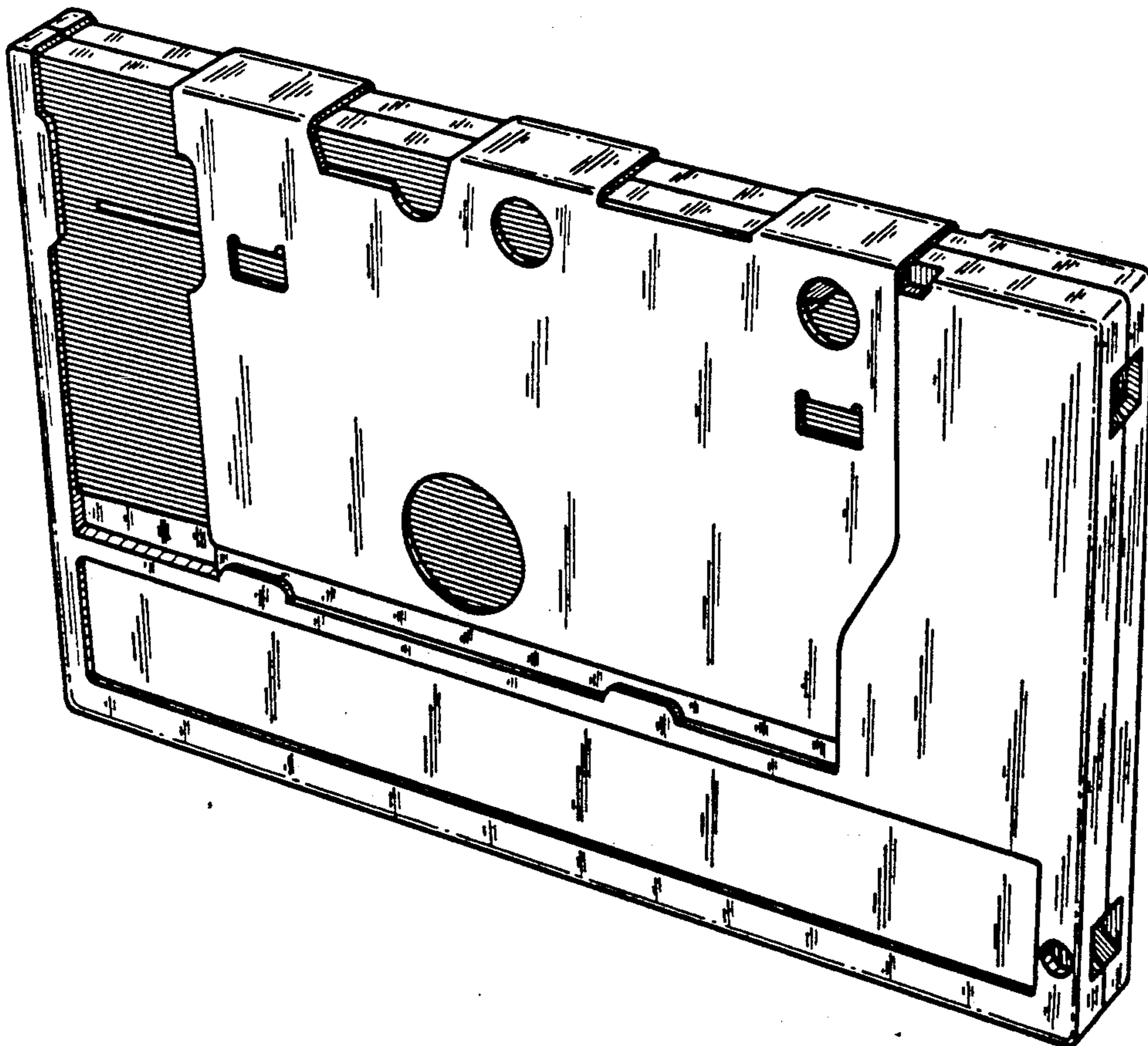
FIG. 1 is a perspective view of the digital compact cassette showing our new design;
FIG. 2 is a front elevational view thereof;
FIG. 3 is a rear elevational plan view thereof;
FIG. 4 is a left side elevational view thereof;
FIG. 5 is a right side elevational view thereof;
FIG. 6 is a top plan view thereof;
FIG. 7 is a bottom plan view thereof; and,
FIG. 8 is a perspective view thereof in an open position.

[30] **Foreign Application Priority Data**

Jun. 26, 1990 [WO] World Int. Prop. O. ... DM/017.007

[52] U.S. Cl. **D14/121**

[58] Field of Search **D14/114, 115, 120-122;**
242/71.8, 197-200; 360/132



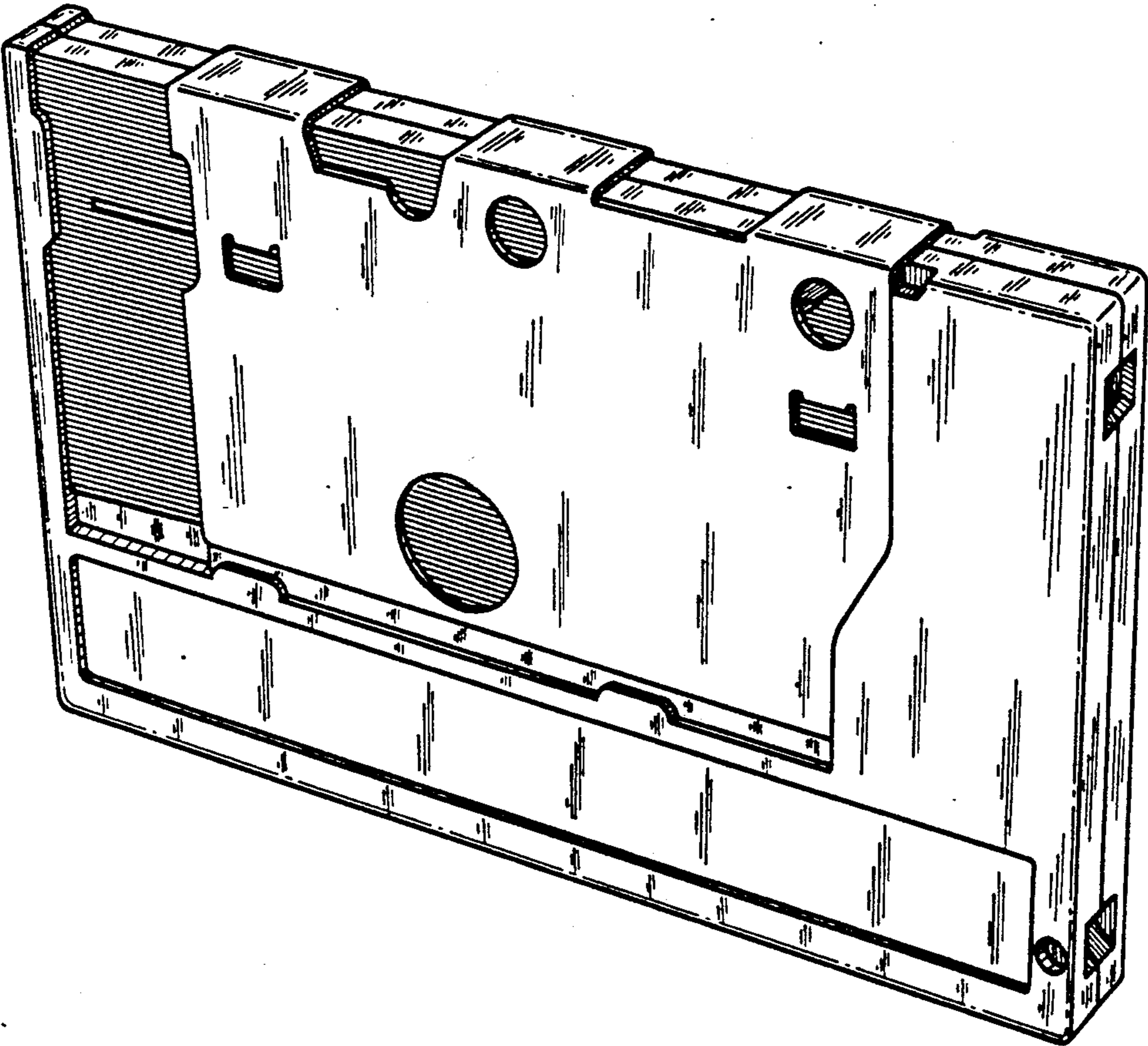


FIG. 1

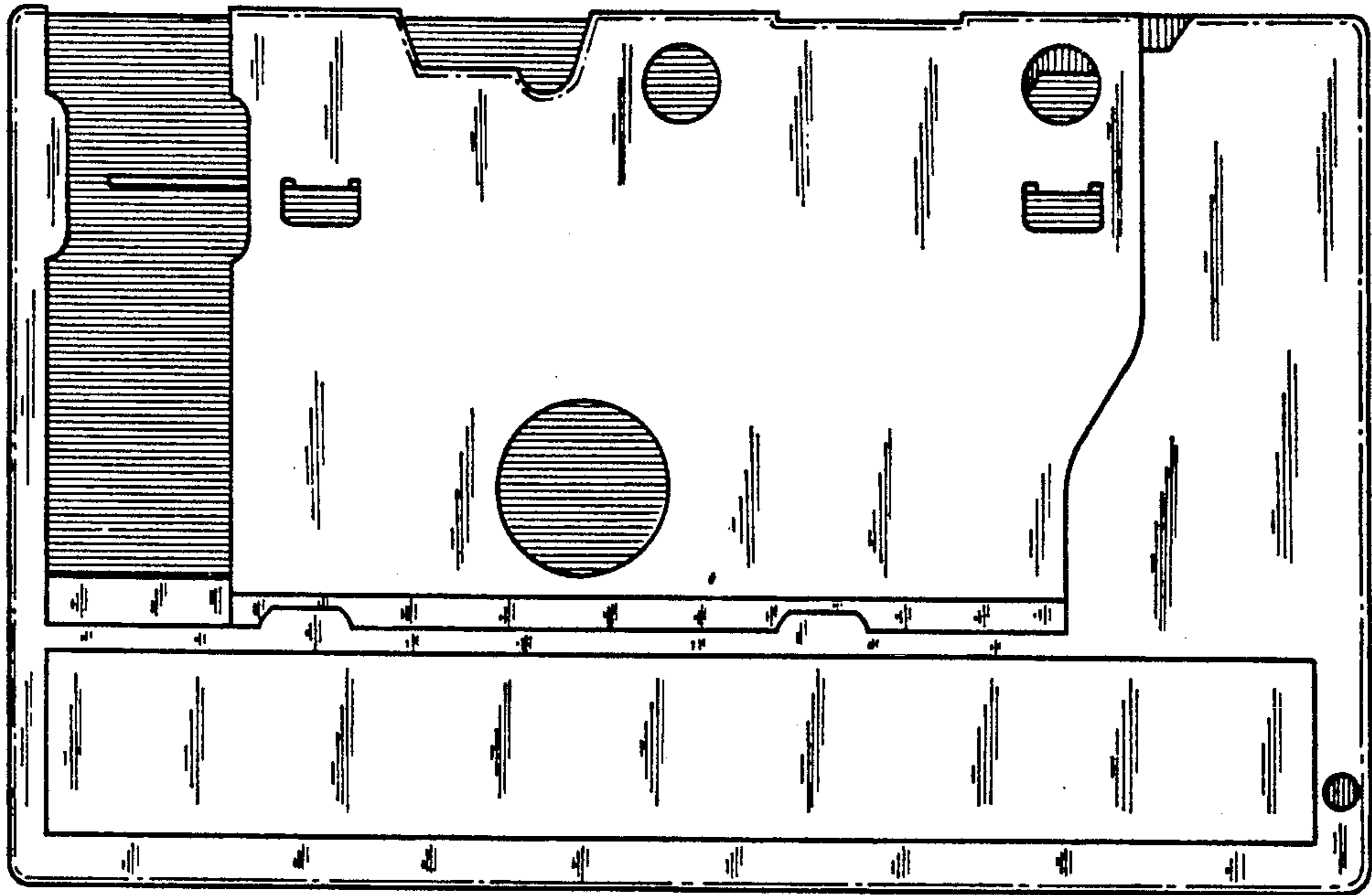


FIG. 2

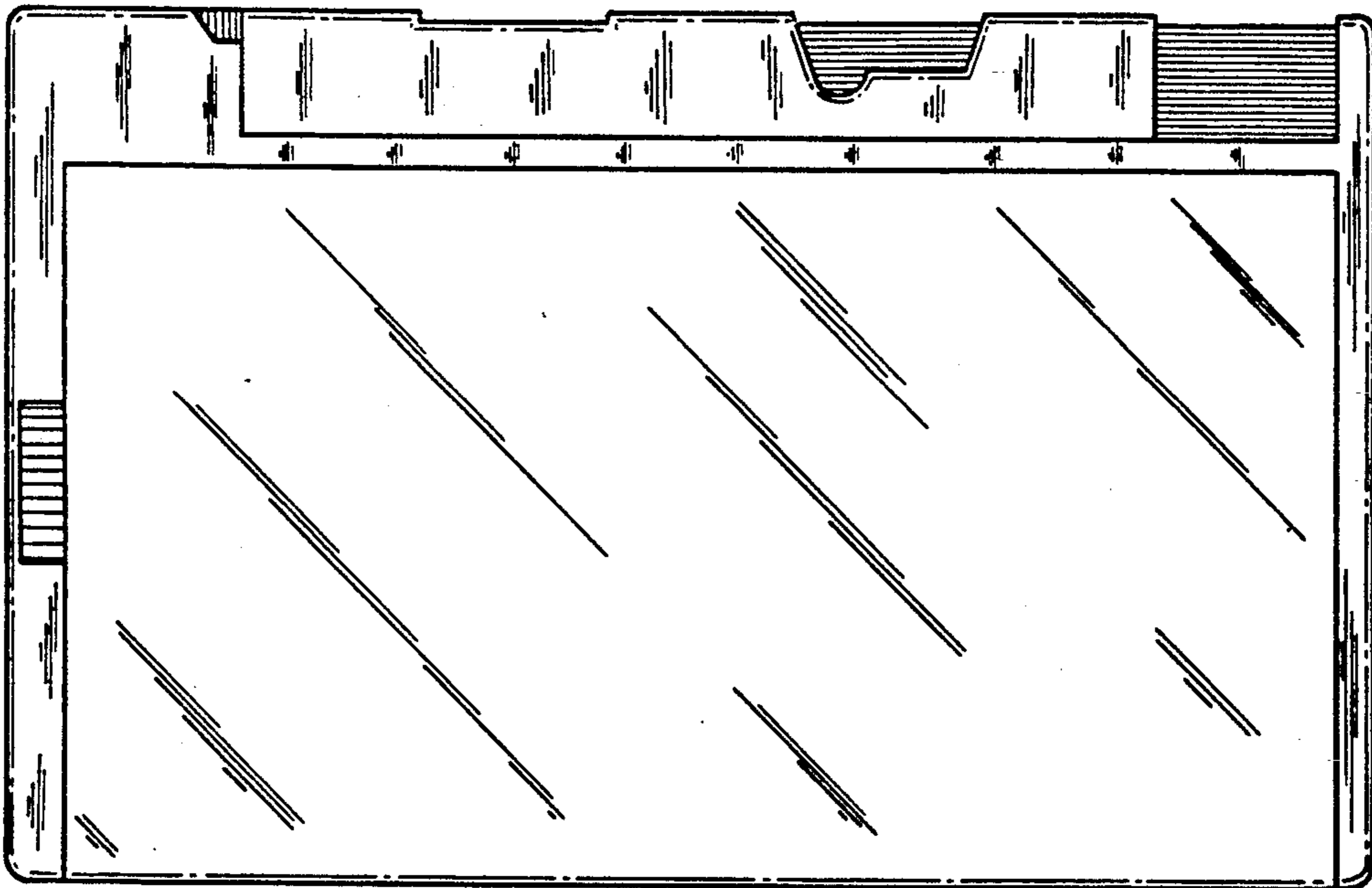


FIG. 3



FIG. 4



FIG. 5



FIG. 6

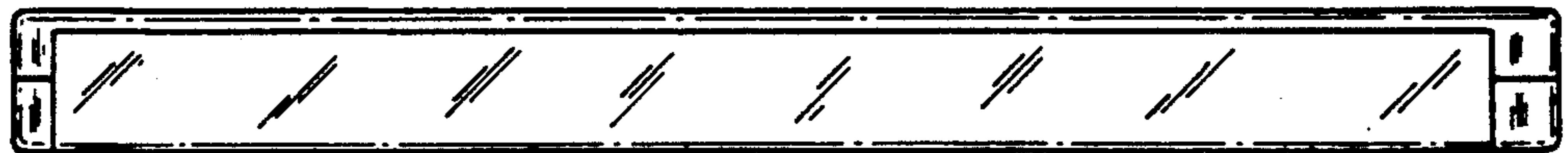


FIG. 7

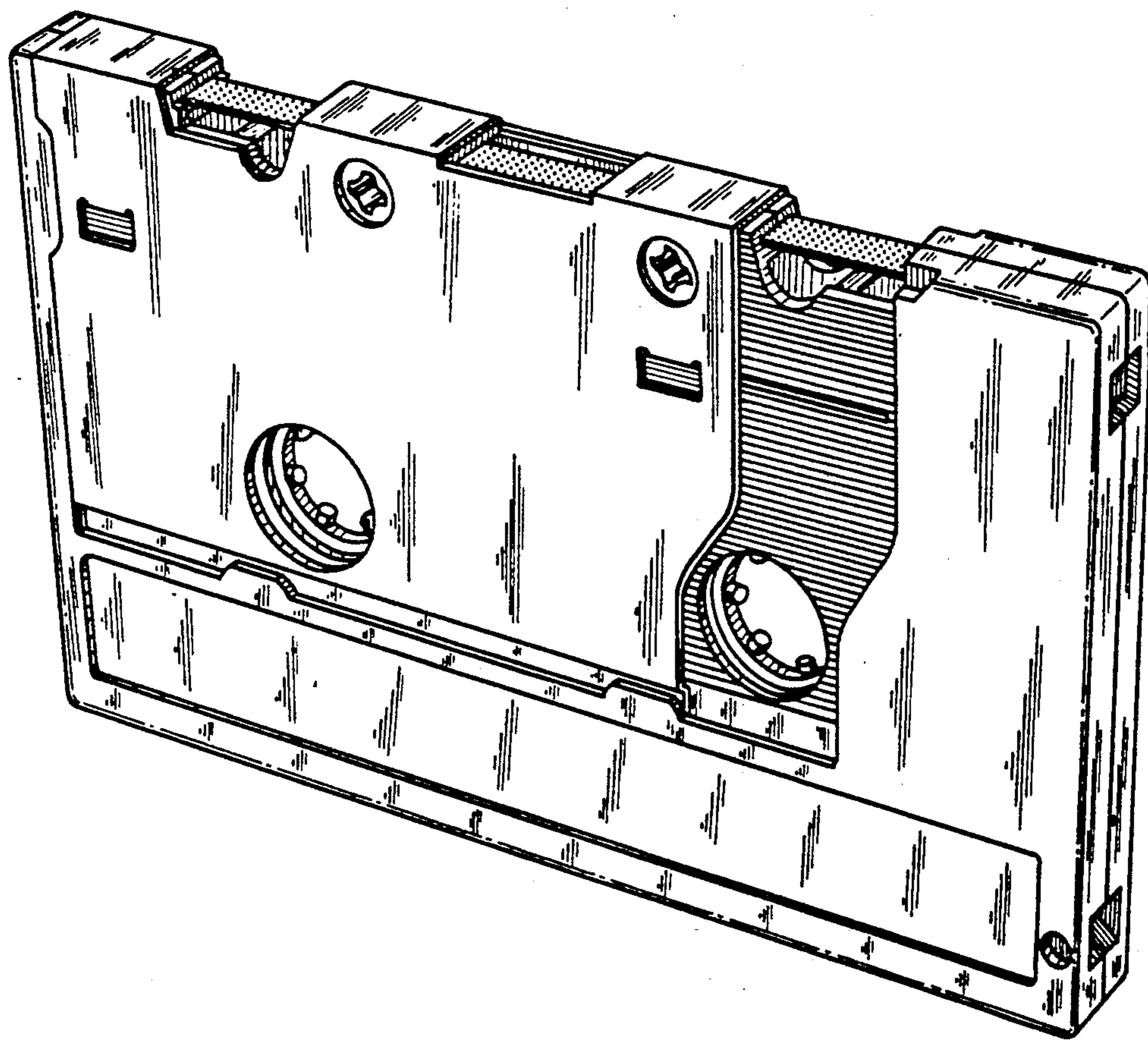


FIG. 8