



US00D331234S

United States Patent [19]

[11] Patent Number: **Des. 331,234**

Horikiri

[45] Date of Patent: **** Nov. 24, 1992**

[54] CASSETTE FOR AUDIO TAPE

[57] CLAIM

[75] Inventor: **Kazuhisa Horikiri, Tokyo, Japan**

The ornamental design for a cassette for audio tape, as shown and described.

[73] Assignee: **Fuji Photo Film Co., Ltd., Kanagawa, Japan**

DESCRIPTION

[**] Term: **14 Years**

[21] Appl. No.: **571,427**

[22] Filed: **Aug. 23, 1990**

[52] U.S. Cl. **D14/121**

[58] Field of Search **D14/115, 120-122; 242/71.8, 197-200; 360/132**

FIG. 1 is a perspective view of a cassette for audio tape showing my new design;

FIG. 2 is a top plan view thereof;

FIG. 3 is a bottom plan view thereof;

FIG. 4 is a front elevational view thereof;

FIG. 5 is a rear elevational view thereof;

FIG. 6 is a left side elevational view thereof;

FIG. 7 is a right side elevational view thereof;

FIG. 8 is a perspective view of an alternate embodiment of FIG. 1;

FIG. 9 is a top plan view of FIG. 8;

FIG. 10 is a bottom plan view of FIG. 8;

FIG. 11 is a front elevational view of FIG. 8;

FIG. 12 is a rear elevational view of FIG. 8;

FIG. 13 is a left side elevational view of FIG. 8; and,

FIG. 14 is a right side elevational view of FIG. 8.

[56] **References Cited**

U.S. PATENT DOCUMENTS

D. 316,259 4/1991 Yonehara D14/121

Primary Examiner—Terry A. Pfeffer

Attorney, Agent, or Firm—Young & Thompson

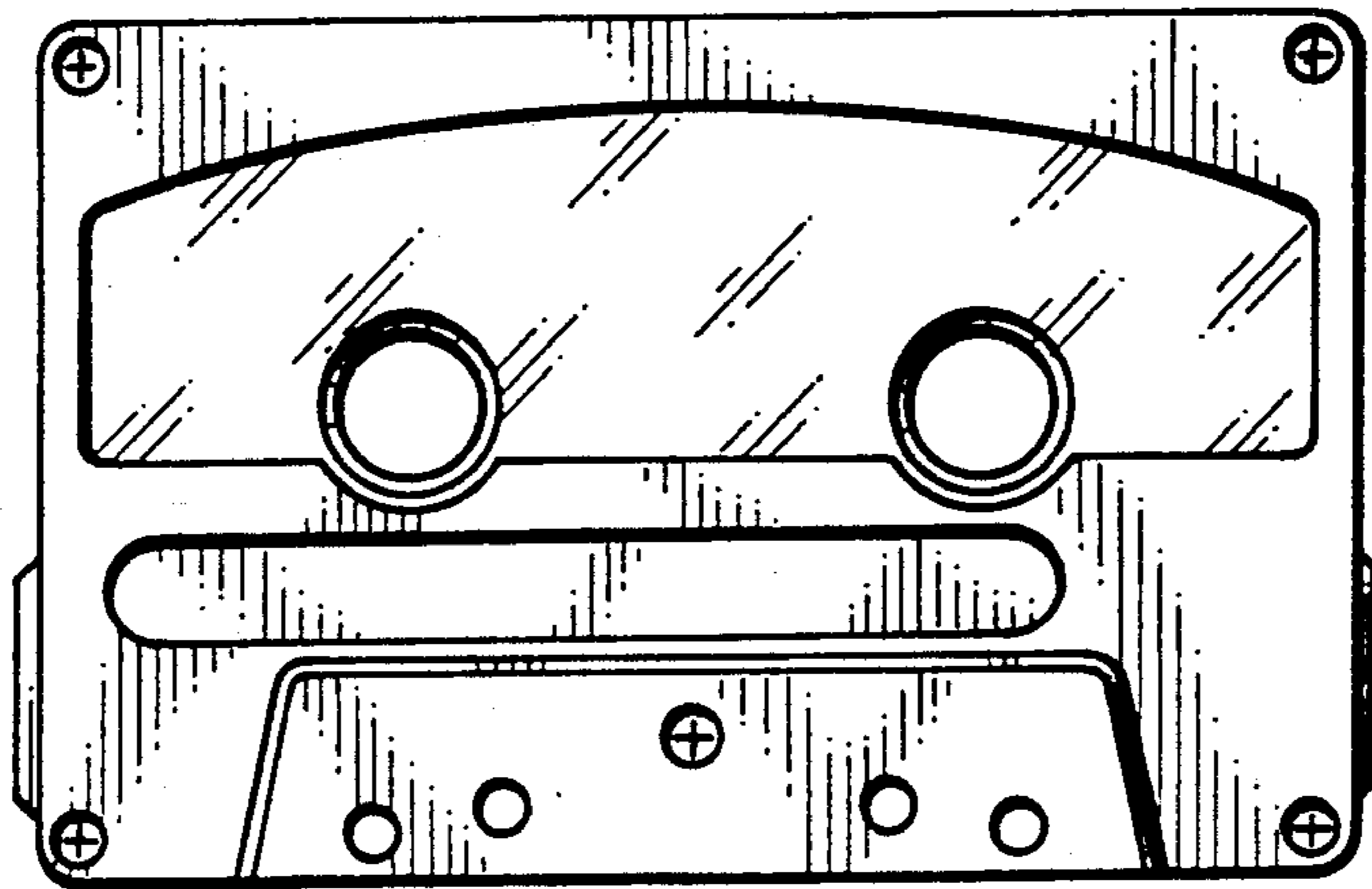
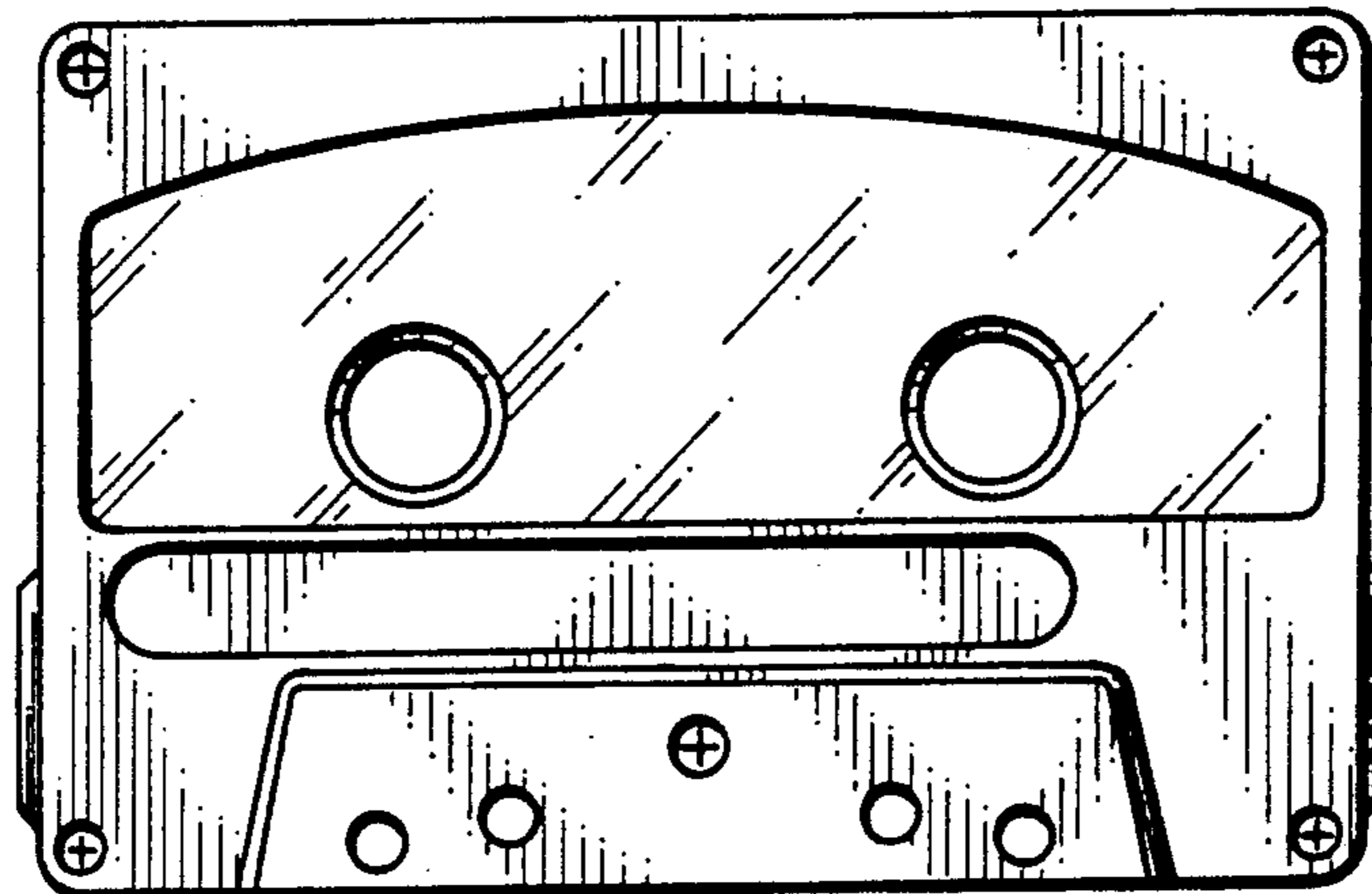


FIG. 1

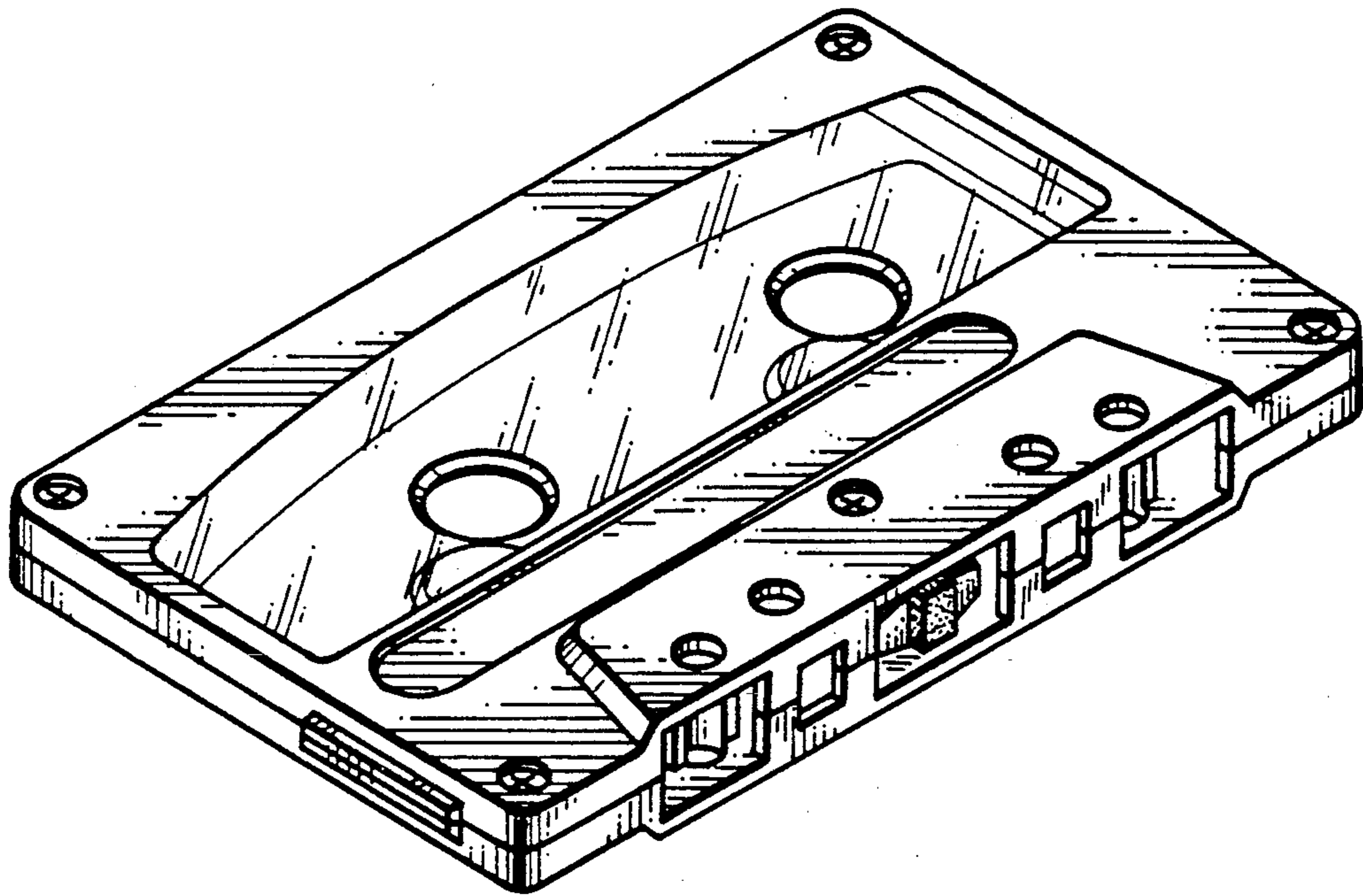


FIG. 2

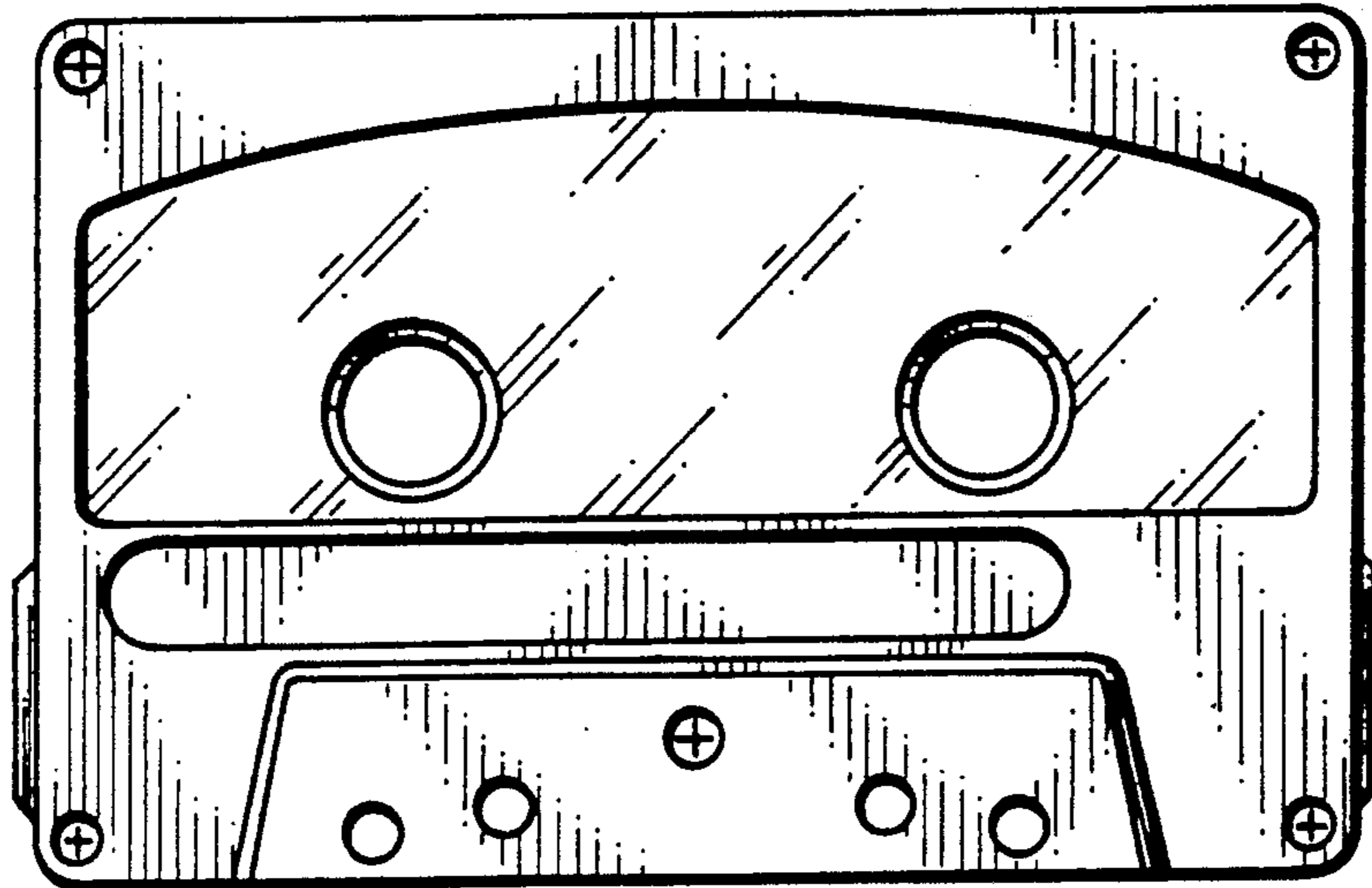


FIG. 3

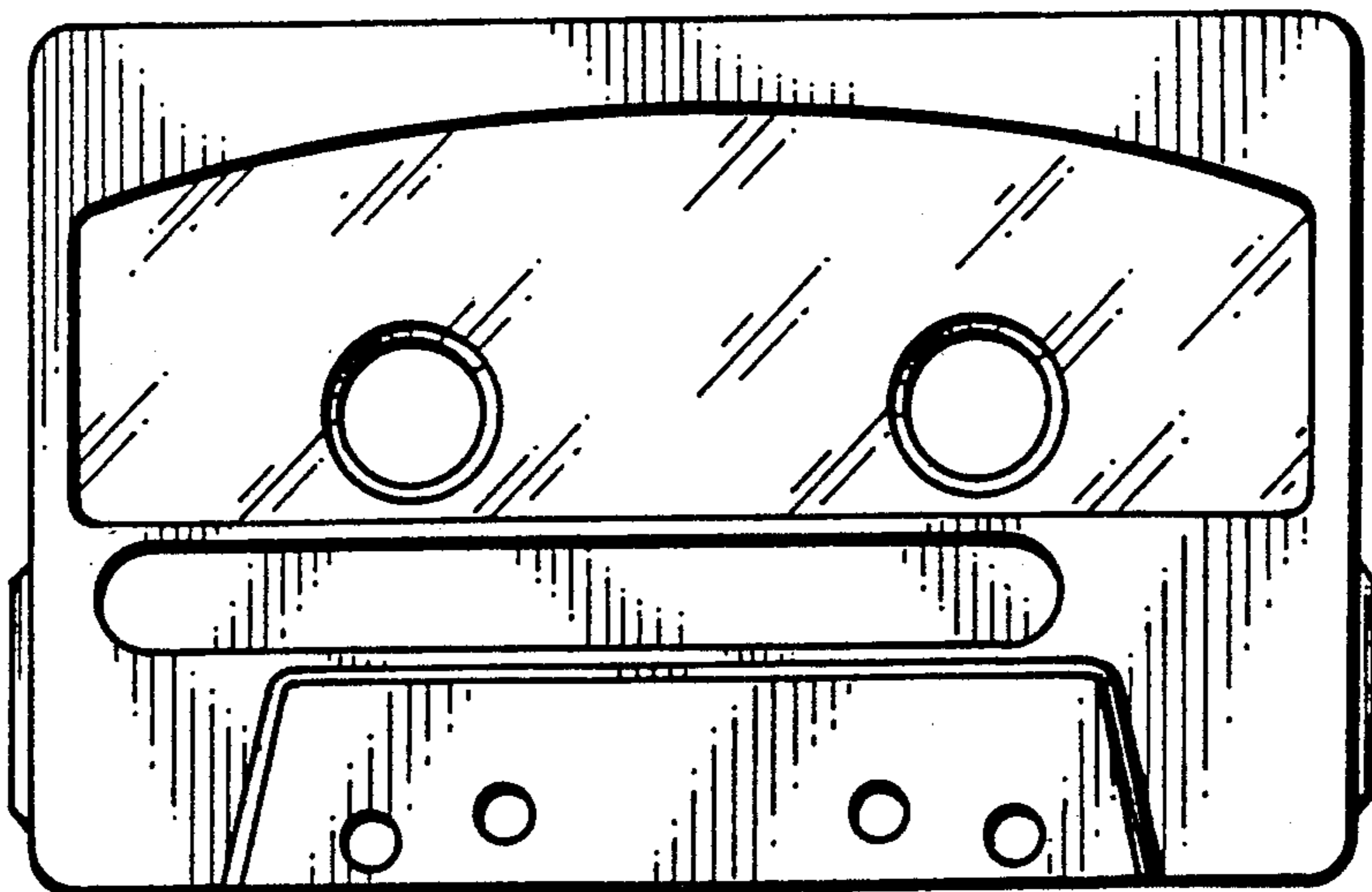


FIG. 4



FIG. 5



FIG. 6



FIG. 7

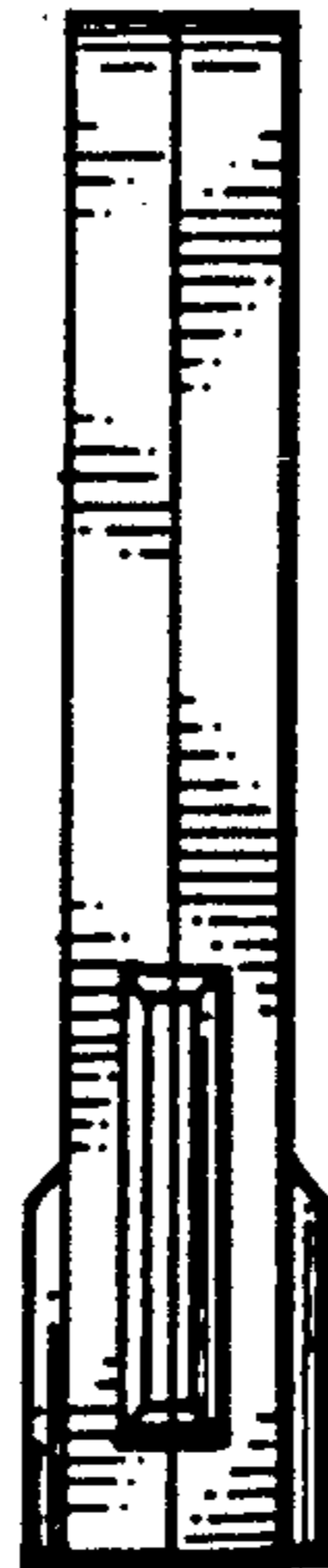


FIG. 8

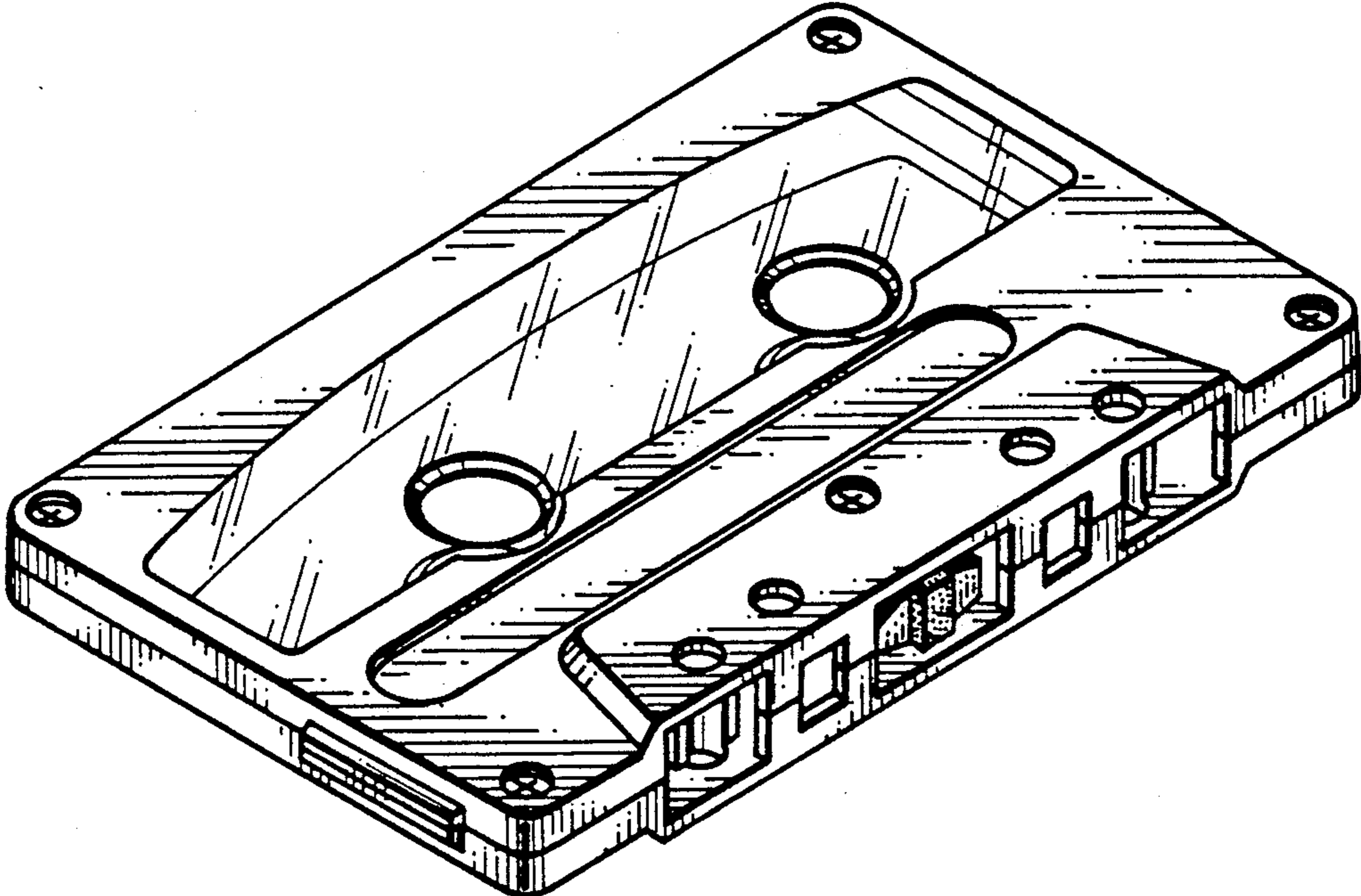


FIG. 9

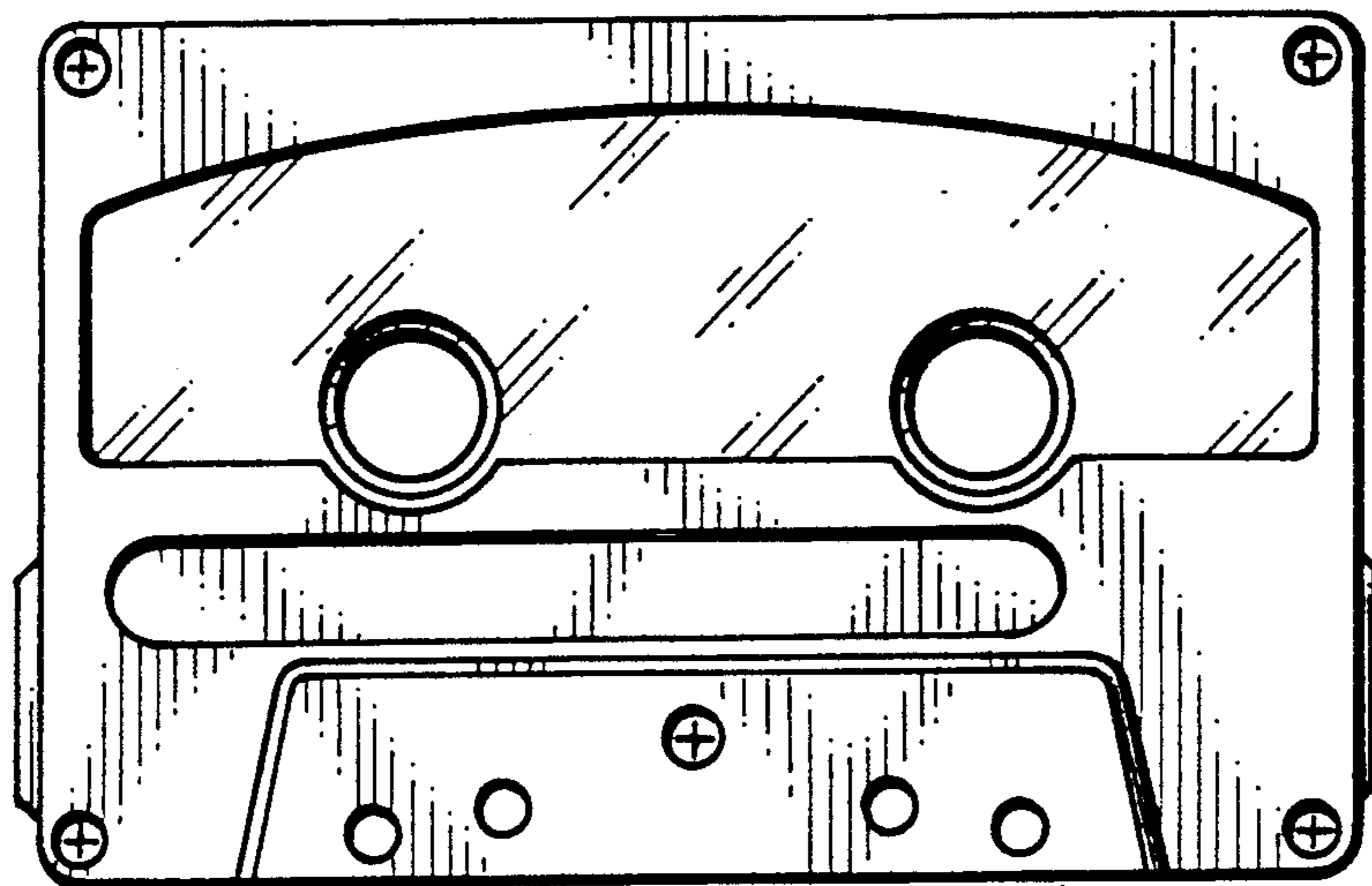


FIG. 10

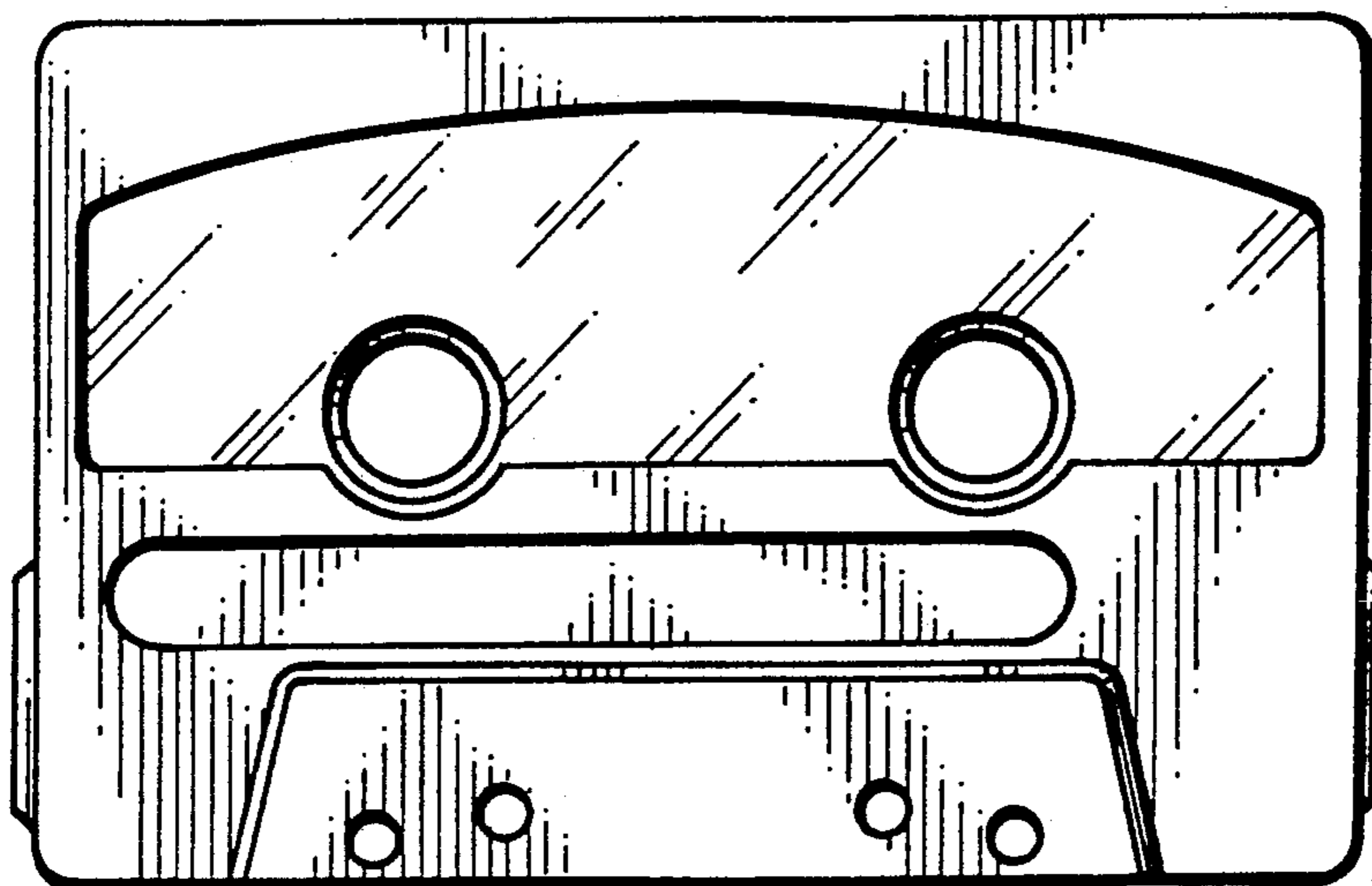


FIG. 11

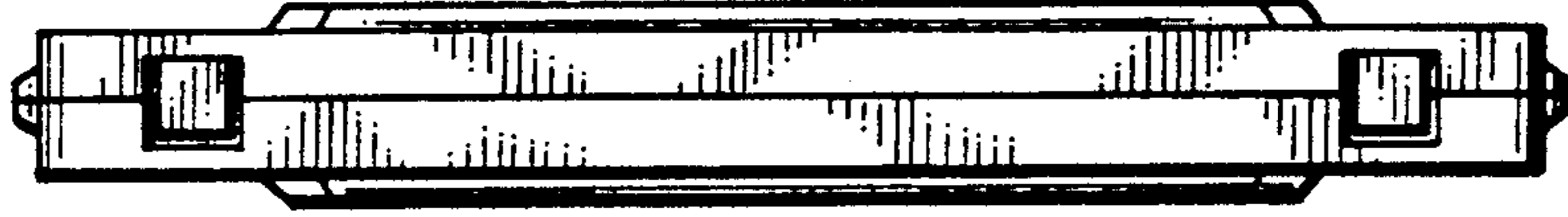


FIG. 12

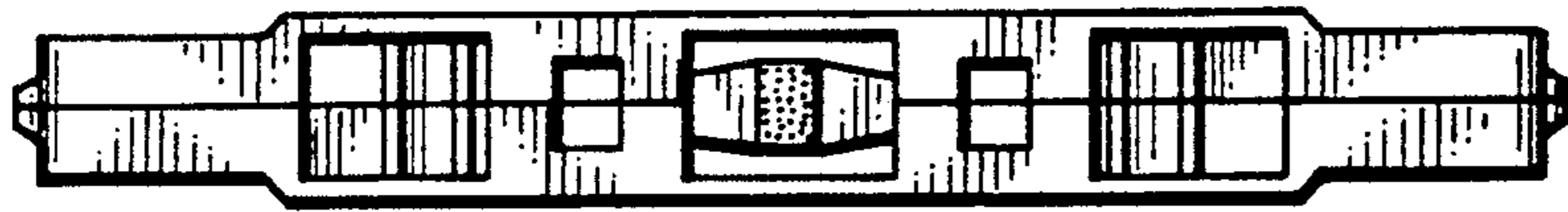


FIG. 13



FIG. 14

